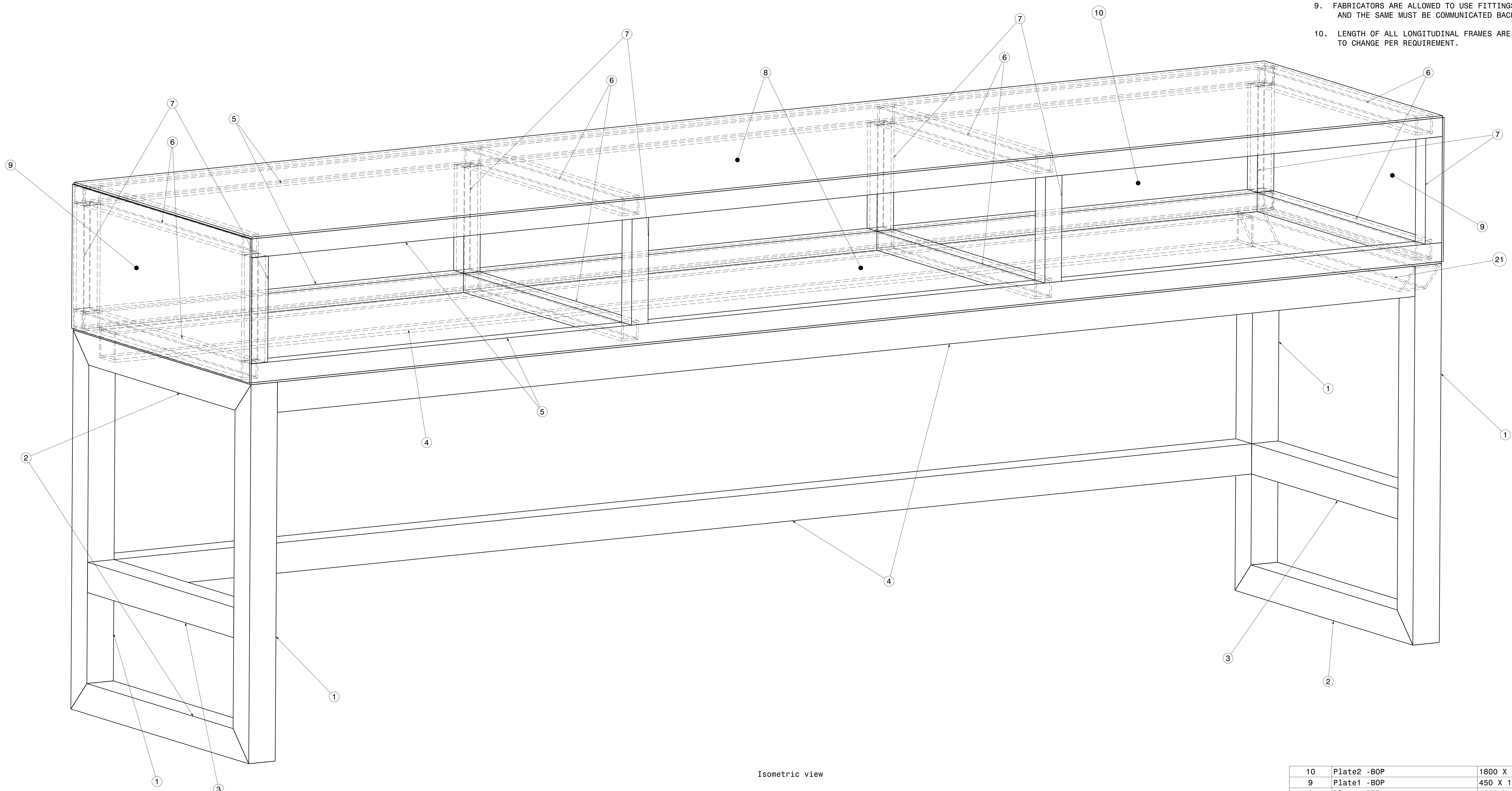


REV/DATE	DESCRIPTION
00	23/04/2020 INITIAL REVISION

NOTES:

1. (⊥) ALL VERTICAL SUPPORTS ARE PERPENDICULAR.
2. □ FLATNESS OF .5MM IS APPLIED BY DEFAULT.
3. ∇ WELD BEAD OF 2MM RADIUS IS FOLLOWED.
4. ∇∇ SURFACE FINISH MEDIUM TO SMOOTH IS USED.
5. ALL TUBES ARE AS PER APL APOLLO STANDARD. CHANGES MAY EFFECT THE LOAD CAPACITY.
6. ALL HORIZONTAL AND VERTICAL TUBES ARE PERPENDICULAR TO EACH OTHER WITH ±1 DEG.
7. FINE WELDING IS REQUIRED AS PER MENTIONED DETAILS AND FINISHING.
8. HIGHER CURRENT WELDING MAY AFFECT THE BRITTLENESS OF MATERIAL WHICH LATER MAY RAISE TO WEAKENING OF STRUCTURE.
9. FABRICATORS ARE ALLOWED TO USE FITTINGS/FRAMES/SUPPORTS AS NEEDED AND THE SAME MUST BE COMMUNICATED BACK TO ENGINEERING TEAM.
10. LENGTH OF ALL LONGITUDINAL FRAMES ARE FOR REFERENCE ONLY AND SUBJECTED TO CHANGE PER REQUIREMENT.



Isometric view

ITEM NO.	PART NUMBER	DESCRIPTION	QTY.	Wt(Kg)/Each
10	Plate2 -BOP	1800 X 190, T=2.5	1	67
9	Plate1 -BOP	450 X 190, T=2.5	2	1.7
8	Plate -BOP	1800 X 450, T=2.5	2	15.9
7	Sq Tube Bed end table Frame 7	25 X 25 X 2.6 X 140	8	0.3
6	Sq Tube Bed end table Frame 6	25 X 25 X 2.6 X 400	8	0.7
5	Sq Tube Bed end table Frame 5	25 X 25 X 2.6 X 1800	4	3.3
4	Sq Tube Bed end table Frame 4	40 X 40 X 3.2 X 1720	3	6.4
3	Sq Tube Bed end table Frame 3	40 X 40 X 3.2 X 370	2	1.4
2	Sq Tube Bed end table Frame 2	40 X 40 X 3.2 X 450	4	1.5
1	Sq Tube Bed end table Frame 1	40 X 40 X 3.2 X 500	4	1.7

This drawing is our property. It can't be reproduced or communicated without our written agreement.

**APL APOLLO TUBES LTD.**

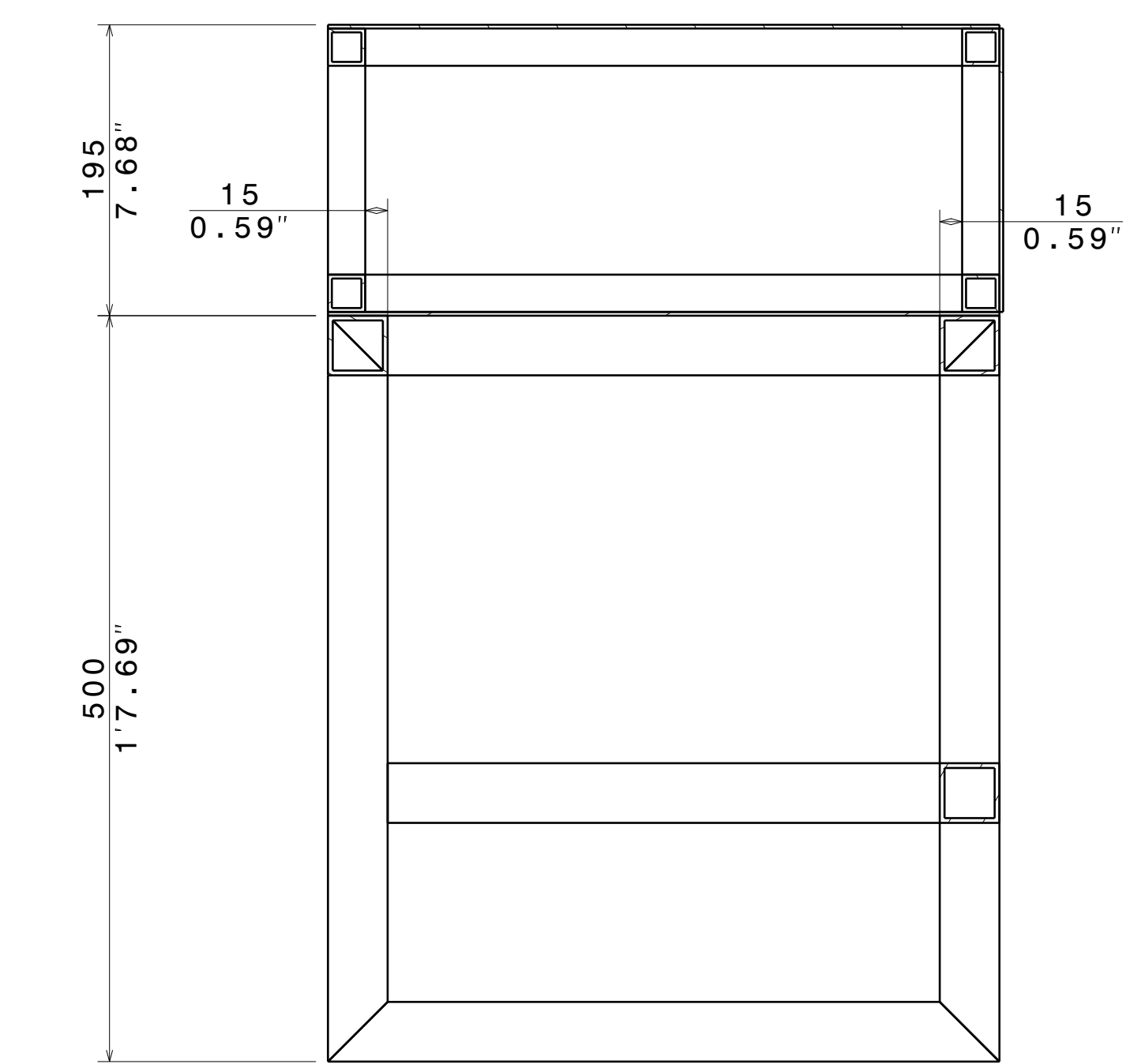
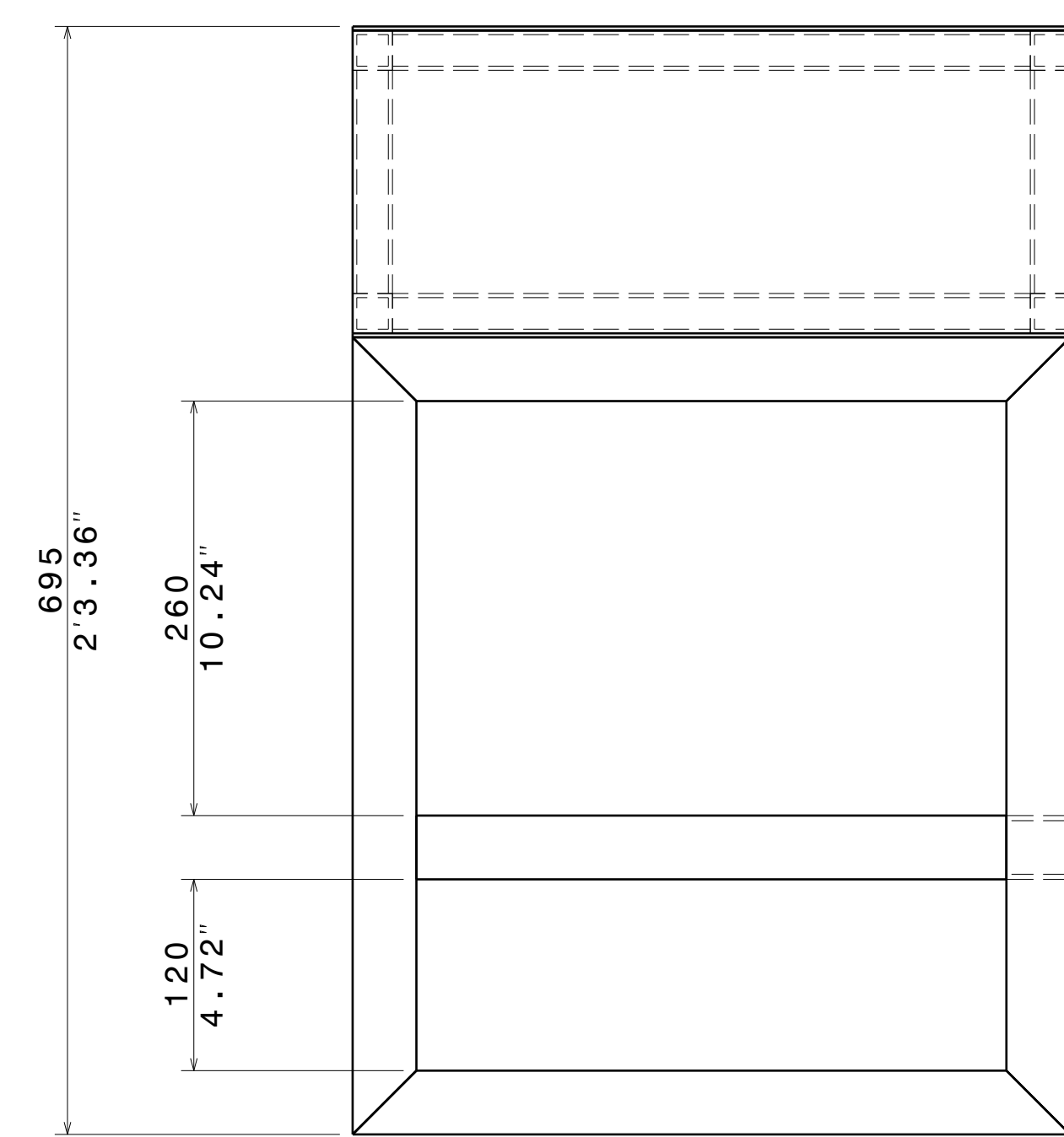
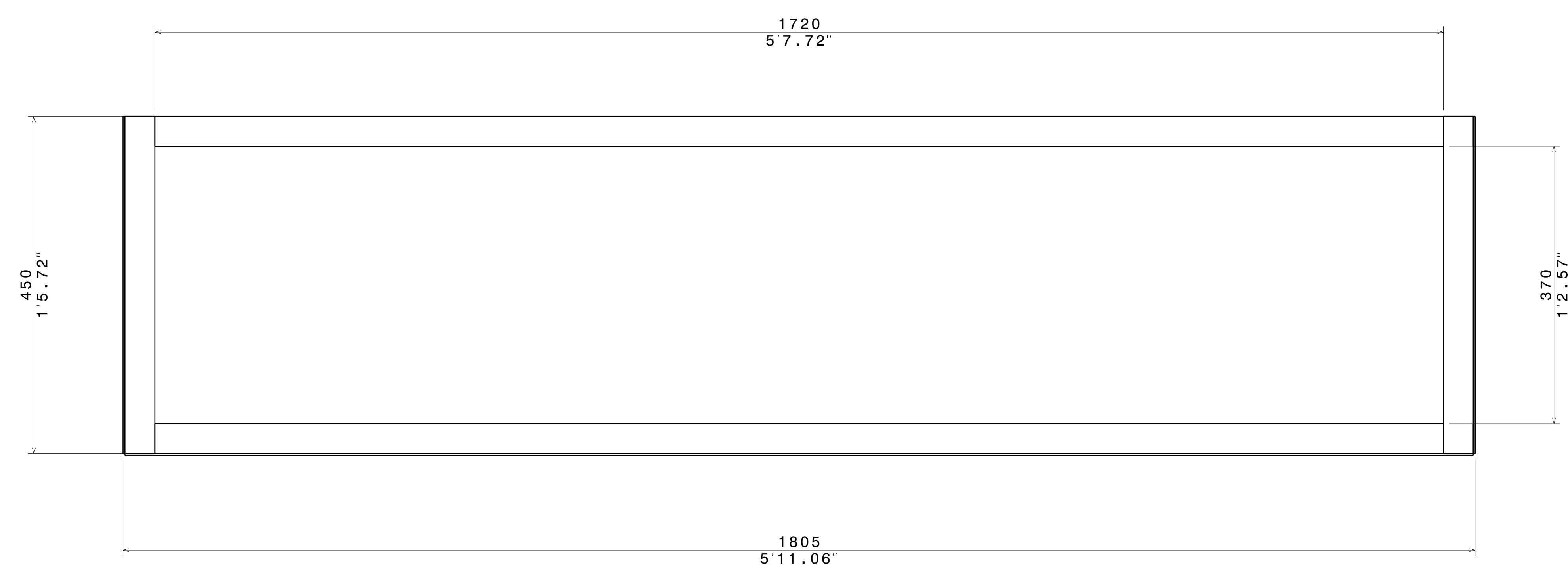
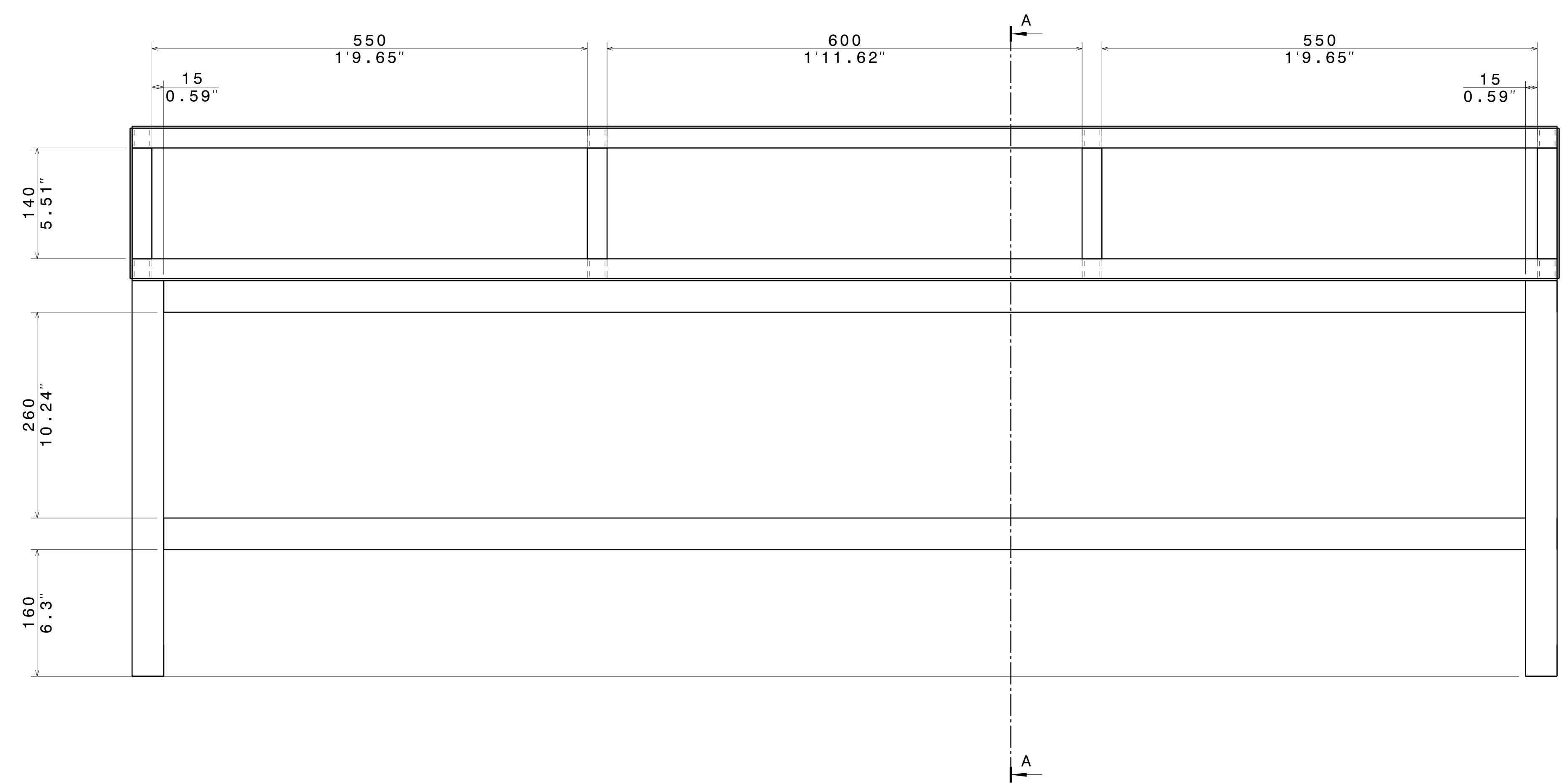
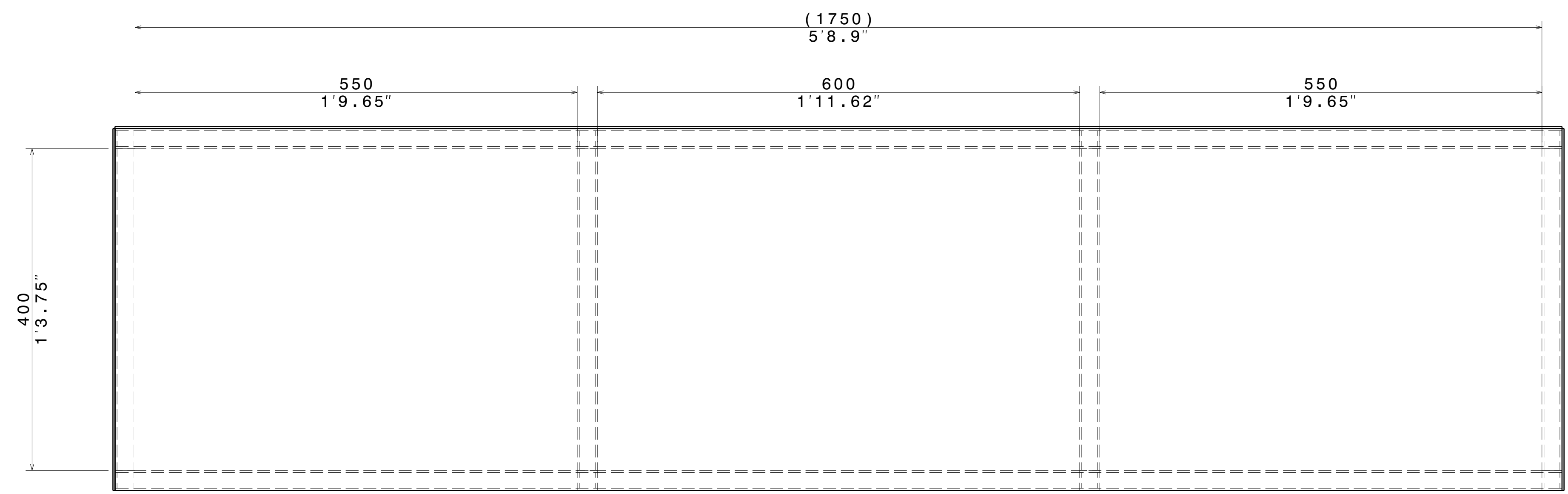
DRAWING TITLE: **BED END TABLE**

DRAWN BY: SB	DATE: 23/04/2020	CHECKED BY: P2P Analysis & Solutions	DATE: 23/04/2020	DESIGNED BY: P2P Analysis & Solutions	DATE: 23/04/2020
--------------	------------------	--------------------------------------	------------------	---------------------------------------	------------------

SIZE: A0	DRAWING NUMBER: P2P BED END TABLE	REV: 00
SCALE: As Indicated	WEIGHT(kg): 0kg	SHEET 1 OF 5

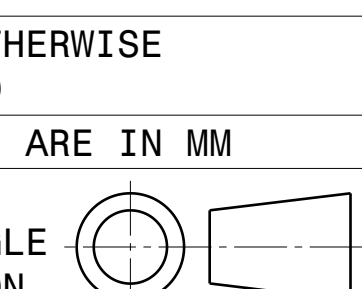
UNLESS OTHERWISE SPECIFIED DIMENSION ARE IN MM  
 VIEWS: THIRD ANGLE PROJECTION

REV	DATE	DESCRIPTION
00	23/04/2020	INITIAL REVISION




Section view A-A  
Scale: 1:4

UNLESS OTHERWISE SPECIFIED DIMENSION ARE IN MM  
VIEWS: THIRD ANGLE PROJECTION

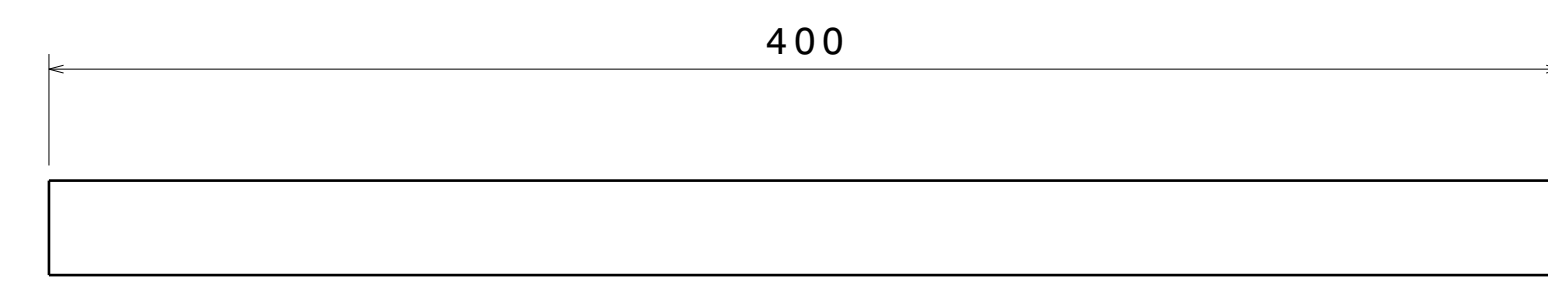


This drawing is our property. It can't be reproduced or communicated without our written agreement.

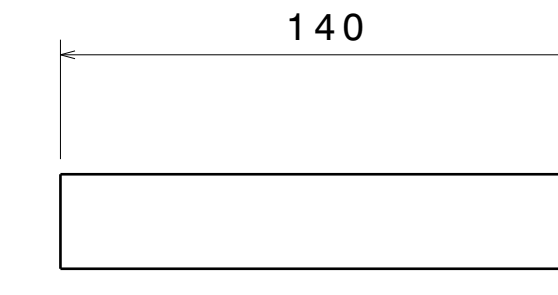
DRAWN BY	SB	DATE	23/04/2020
CHECKED BY	P2P Analysis & Solutions	DATE	23/04/2020
DESIGNED BY	P2P Analysis & Solutions	DATE	23/04/2020

APL APOLLO TUBES LTD. 	
DRAWING TITLE	
BED END TABLE	
SIZE	DRAWING NUMBER
A0	P2P BED END TABLE
SCALE	NONE WEIGHT (kg) XXX
SHEET 2 OF 5	

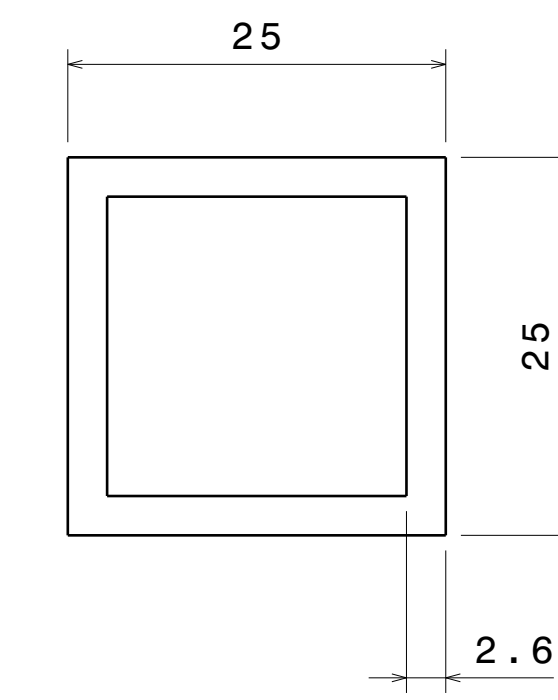
REV	DATE	DESCRIPTION
00	23/04/2020	INITIAL REVISION



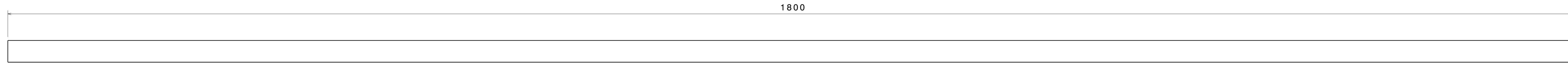
ITEM 6 DETAILS  
Sq Tube Bed end table Frame 6



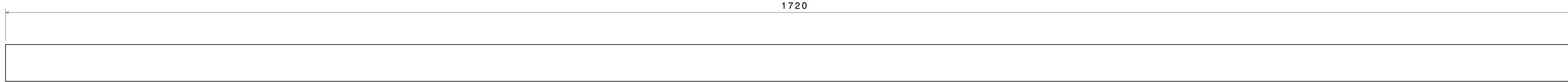
ITEM 7 DETAILS  
Sq Tube Bed end table Frame 7



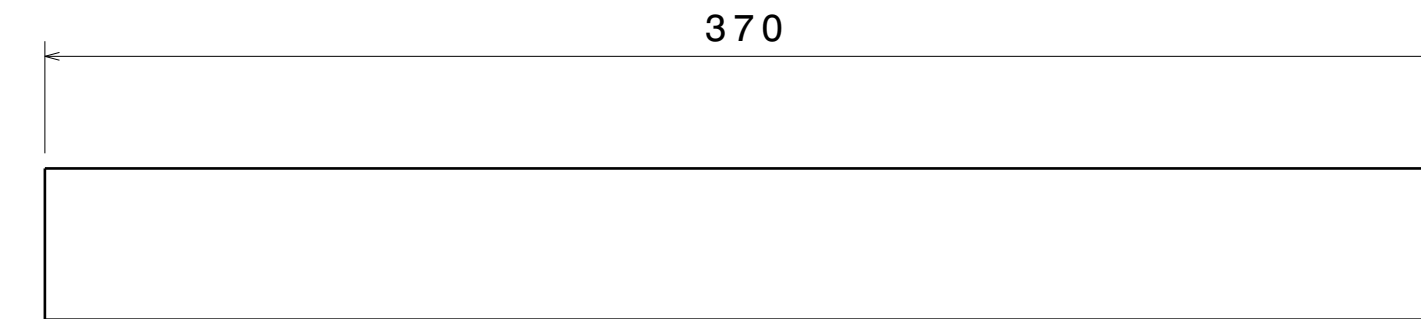
Section Detail of ITEM 5,6 & 7  
Scale: 2:1



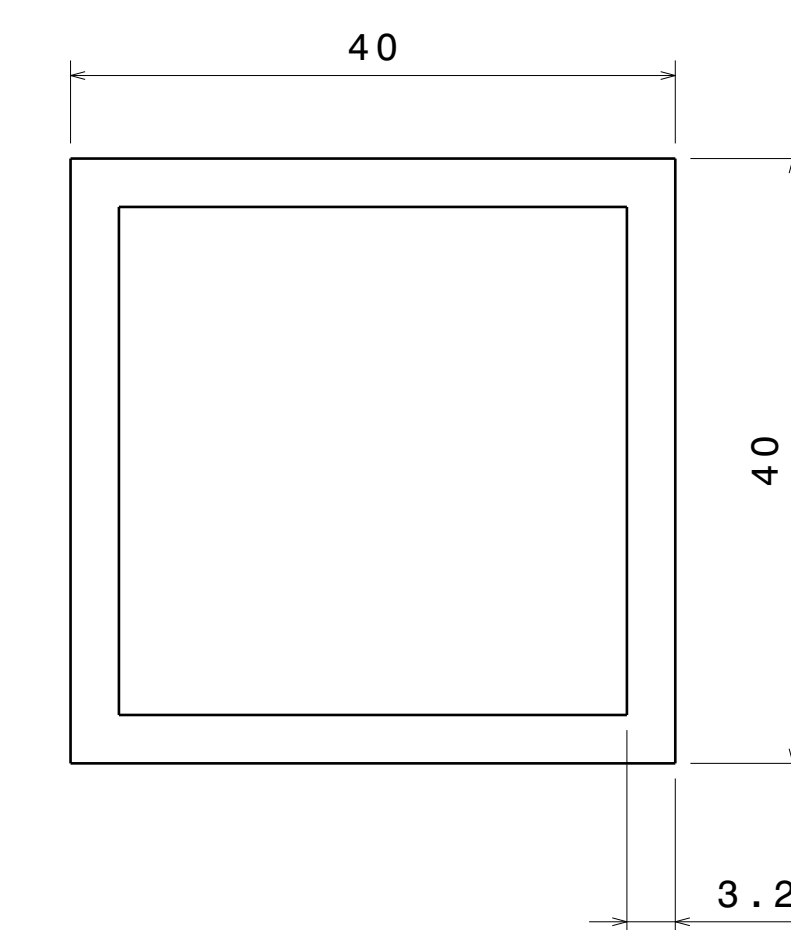
ITEM 5 DETAILS  
Sq Tube Bed end table Frame 5



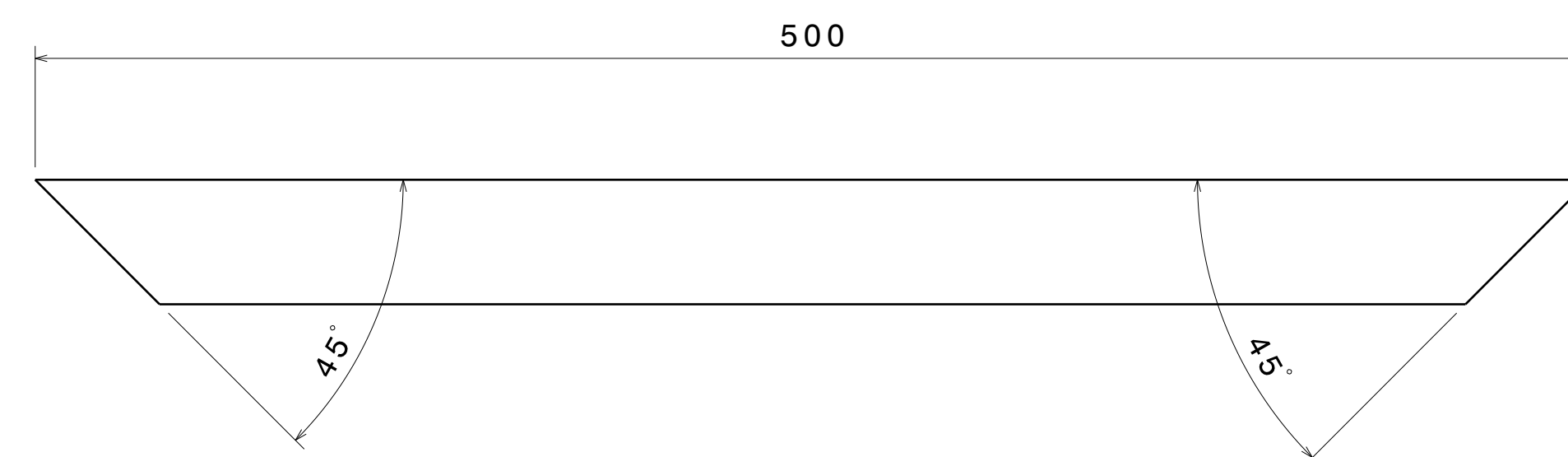
ITEM 4 DETAILS  
Sq Tube Bed end table Frame 4



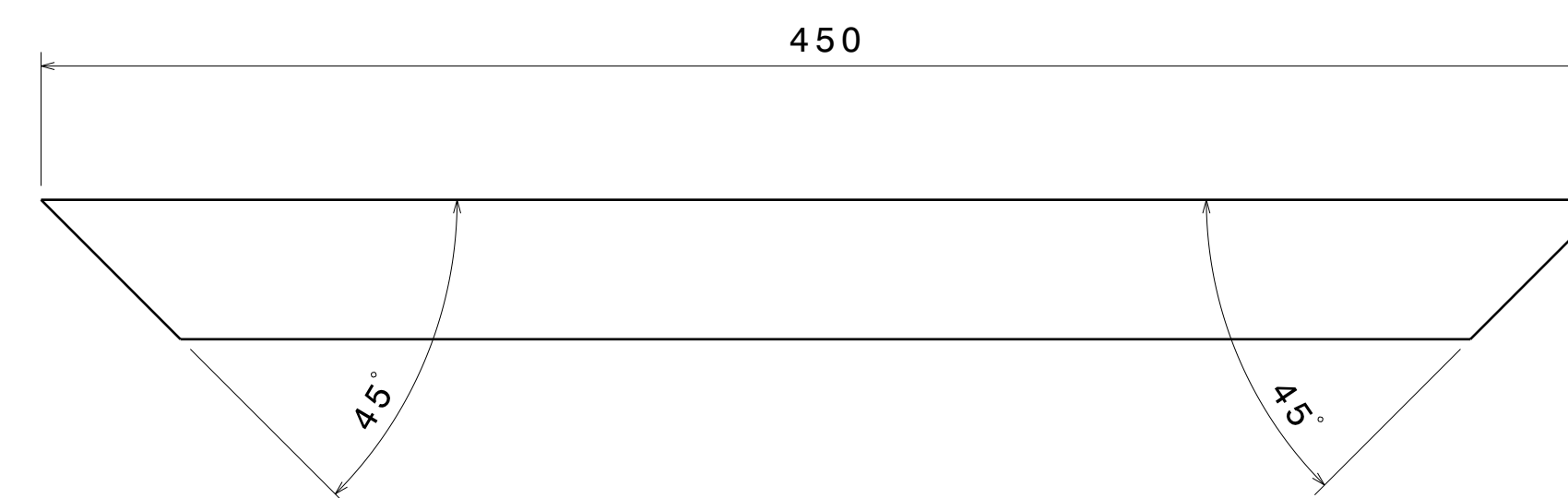
ITEM 3 DETAILS  
Sq Tube Bed end table Frame 3



Section Detail of ITEM 1,2,3 & 4  
Scale: 2:1



ITEM 1 DETAILS  
Sq Tube Bed end table Frame 1



ITEM 2 DETAILS  
Sq Tube Bed end table Frame 2

UNLESS OTHERWISE SPECIFIED DIMENSION ARE IN MM  
VIEWS: THIRD ANGLE PROJECTION

This drawing is our property. It can't be reproduced or communicated without our written agreement.

DRAWN BY	DATE
SB	23/04/2020
CHECKED BY	DATE
P2P Analysis & Solutions	23/04/2020
DESIGNED BY	DATE
P2P Analysis & Solutions	23/04/2020

APL APOLLO TUBES LTD.	
DRAWING TITLE	
BED END TABLE	
SIZE	DRAWING NUMBER
A0	P2P_BED END TABLE
SCALE	WEIGHT (kg)
NONE	XXX
REV	SHEET 3 OF 5
00	