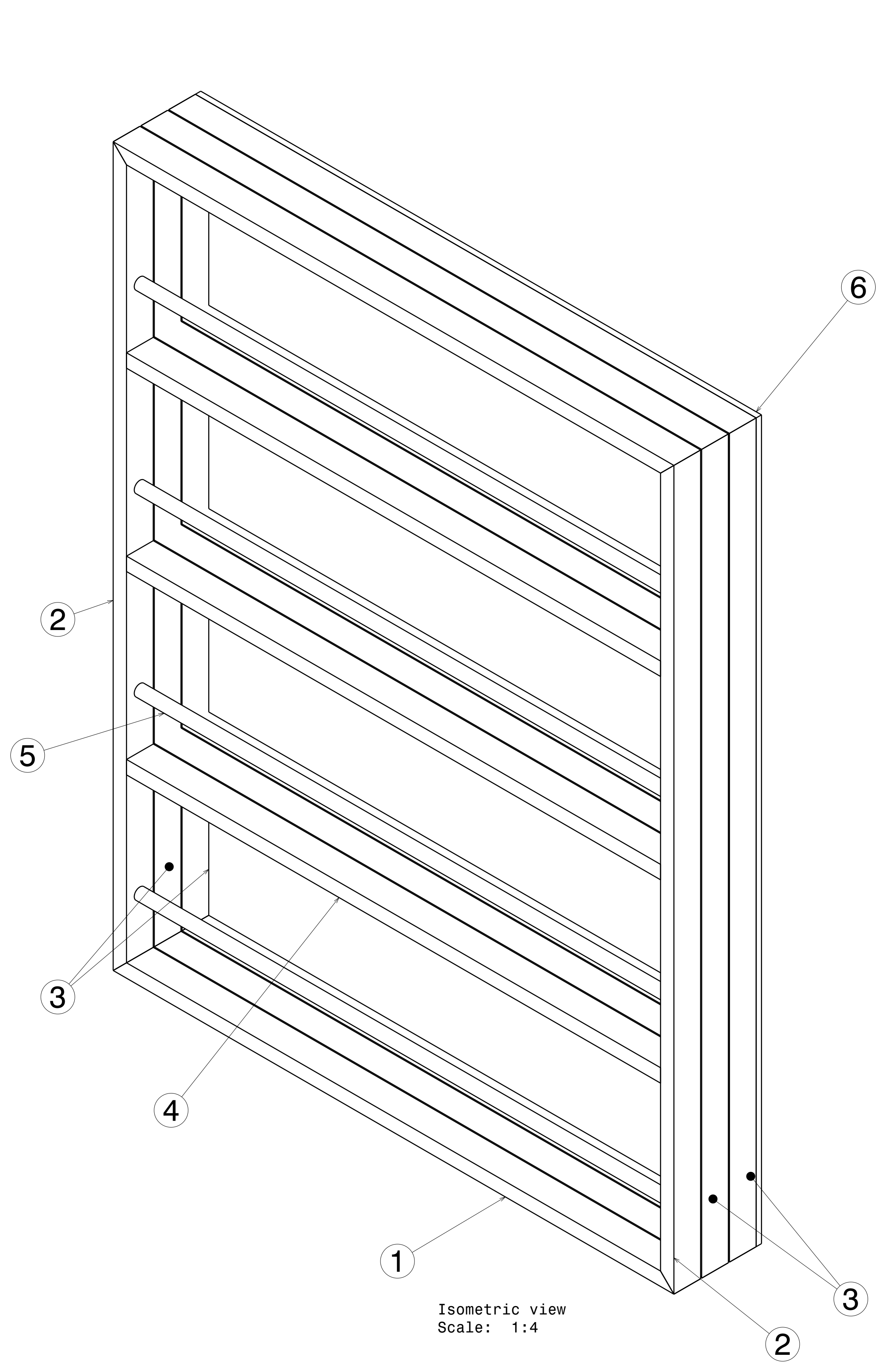


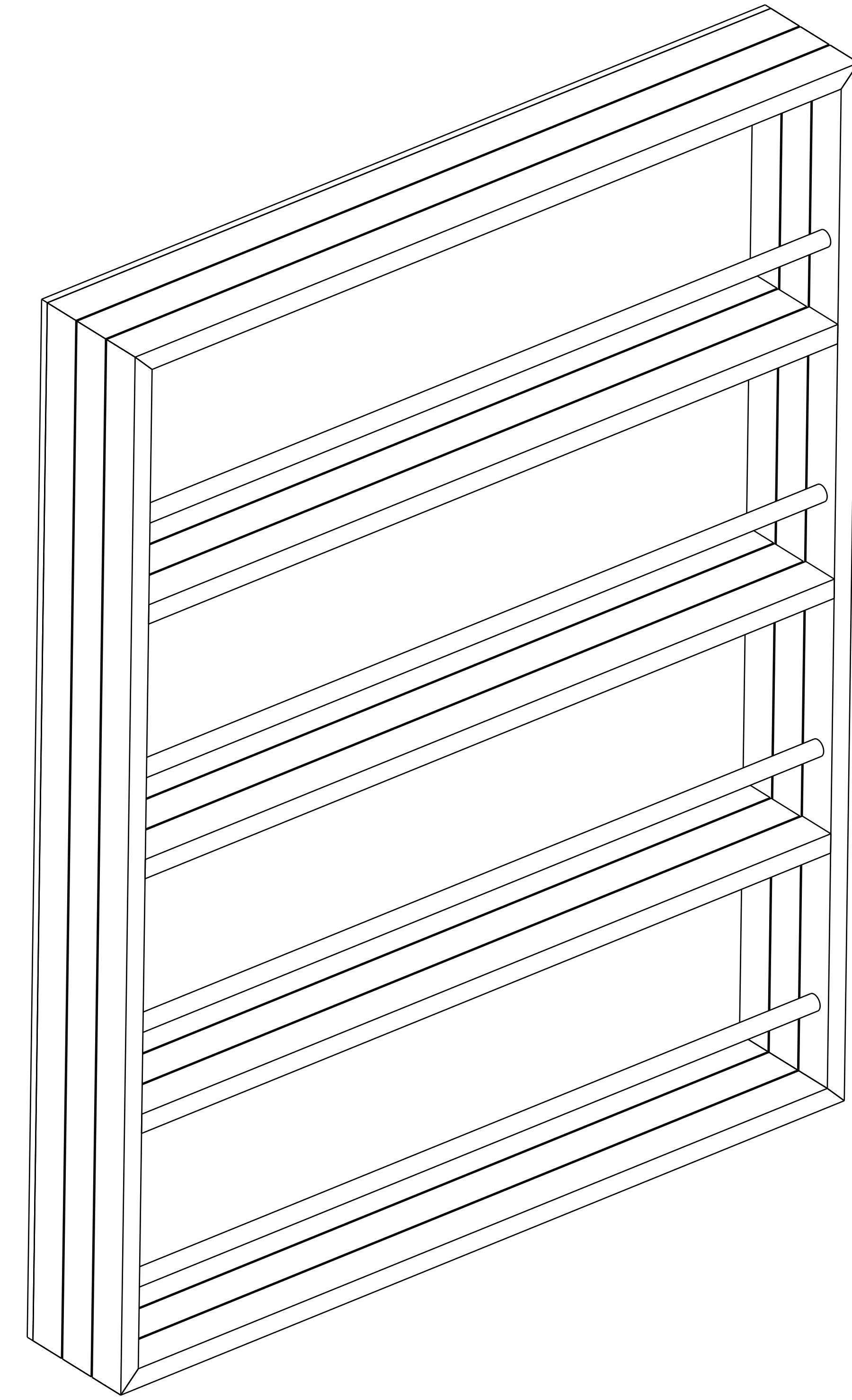
REV/DATE	DESCRIPTION
00 10JUN2020	INITIAL REVISION

NOTES:

- (⊥) ALL VERTICAL SUPPORTS ARE PERPENDICULAR.
- FLATNESS OF .5MM IS APPLIED BY DEFAULT.
- ⊲ WELD BEAD OF 2MM RADIUS IS FOLLOWED.
- ▽ SURFACE FINISH MEDIUM TO SMOOTH IS USED.
- ALL TUBES ARE AS PER APL APOLLO STANDARD. CHANGES MAY EFFECT THE LOAD CAPACITY.
- ALL HORIZONTAL AND VERTICAL TUBES ARE PERPENDICULAR TO EACH OTHER WITH ±1 DEG.
- FINE WELDING IS REQUIRED AS PER MENTIONED DETAILS AND FINISHING.
- HIGHER CURRENT WELDING MAY AFFECT THE BRITTLENESS OF MATERIAL WHICH LATER MAY RAISE TO WEAKENING OF STRUCTURE.
- FABRICATORS ARE ALLOWED TO USE FITTINGS/FRAMES/SUPPORTS AS NEEDED AND THE SAME MUST BE COMMUNICATED BACK TO ENGINEERING TEAM.
- LENGTH OF ALL LONGITUDINAL FRAMES ARE FOR REFERENCE ONLY AND SUBJECTED TO CHANGE PER REQUIREMENT.


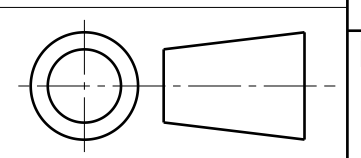


Isometric view
Scale: 1:4



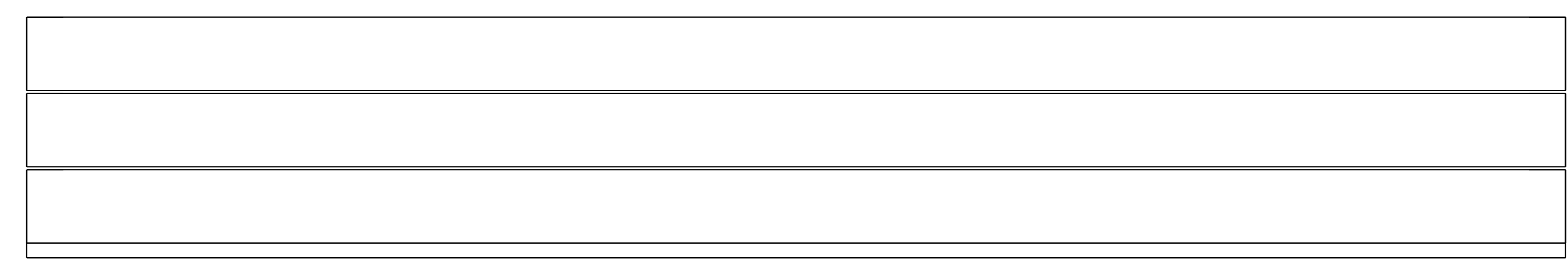
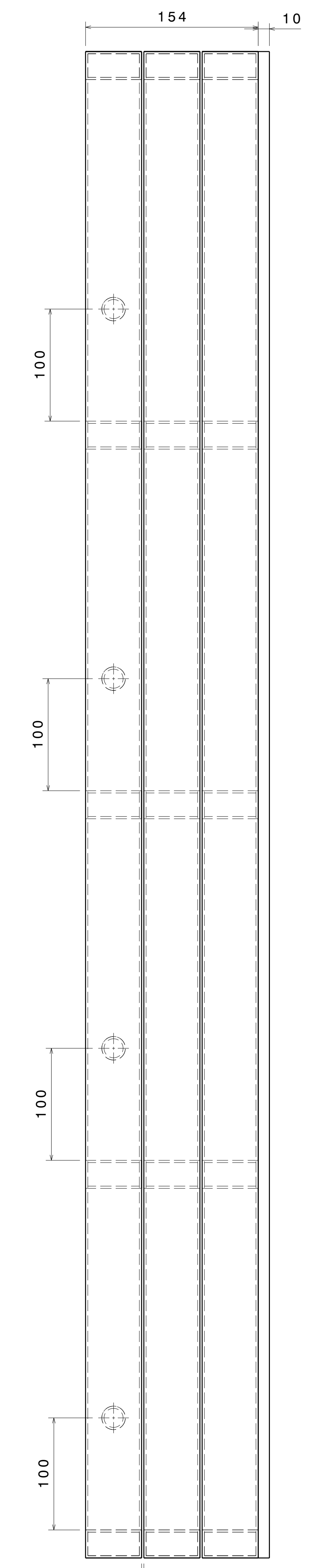
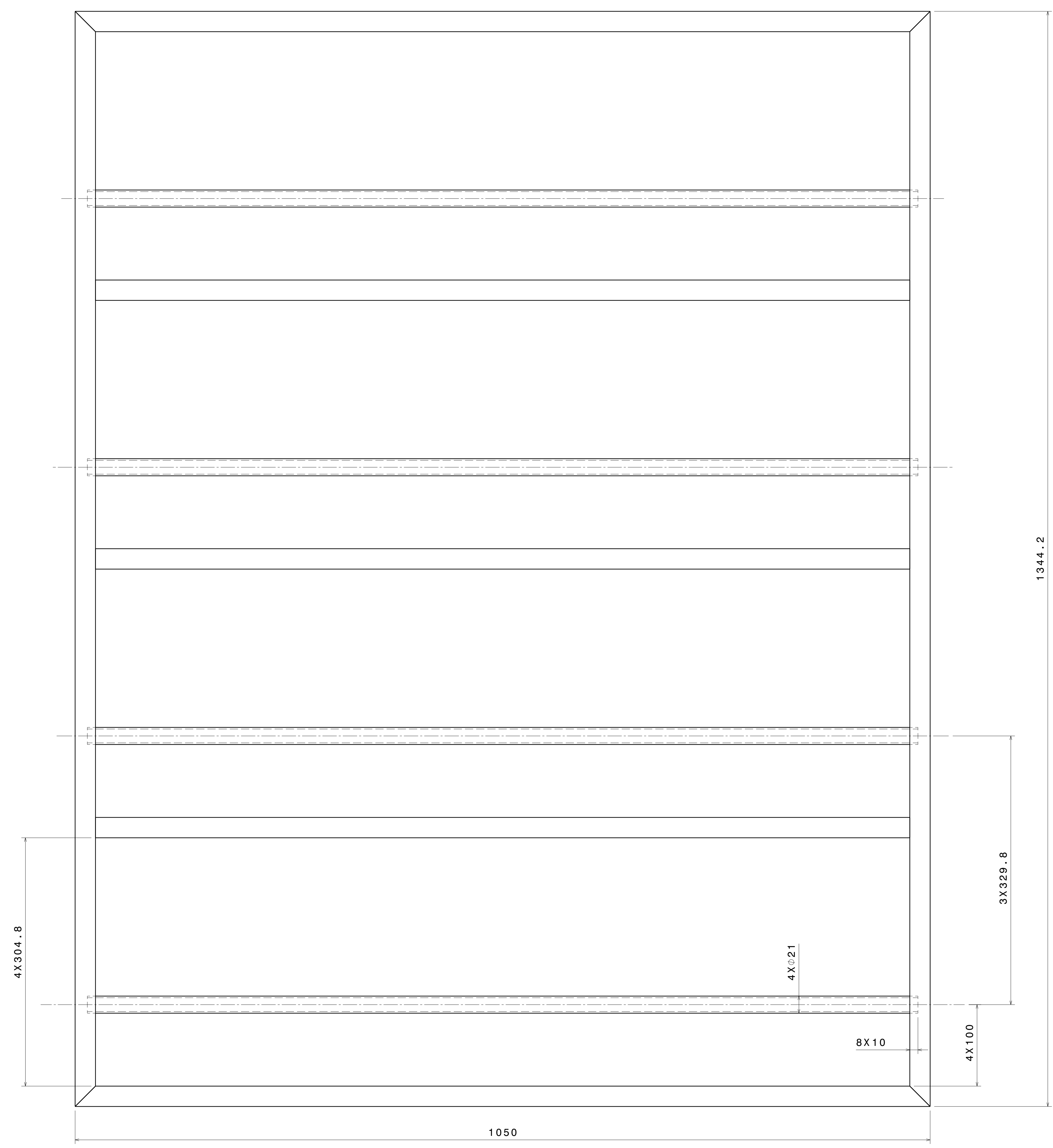
Isometric view
Scale: 1:4

ITEM NO.	PART NUMBER	DESCRIPTION	QTY.	Wt (Kg)/Each
6	Back Plate	1344.2 X 1050 X 10 THK	1	1
5	May 11 Frame 5	DIA 21 X 2 THK X 1020	4	0.78
4	May 11 Frame 4	50X 25 X 2 X 1000	9	2.25
3	May 11 Frame 3	50X 25 X 2 X 1344.2	4	3
2	May 11 Frame 2	50X 25 X 2 X 1344.2	2	3
1	May 11 Frame 1	50X 25 X 2 X 1050	6	2.3

This drawing is our property. It can't be reproduced or communicated without our written agreement.		APL APOLLO TUBES LTD. 	
DRAWN BY SB		DATE 10JUN2020	
CHECKED BY P2P Analysis & Solutions		DATE 10JUN2020	
DESIGNED BY P2P Analysis & Solutions		DATE 10JUN2020	
DRAWING TITLE May 11		SIZE A0	DRAWING NUMBER P2P May 11
UNLESS OTHERWISE SPECIFIED DIMENSION ARE IN MM		SCALE As Indicated	WEIGHT (kg) 0kg
VIEWS: THIRD ANGLE PROJECTION 		SHEET 1 OF 3	

UNLESS OTHERWISE SPECIFIED DIMENSION ARE IN MM

REV	DATE	DESCRIPTION
00	10JUN2020	INITIAL REVISION



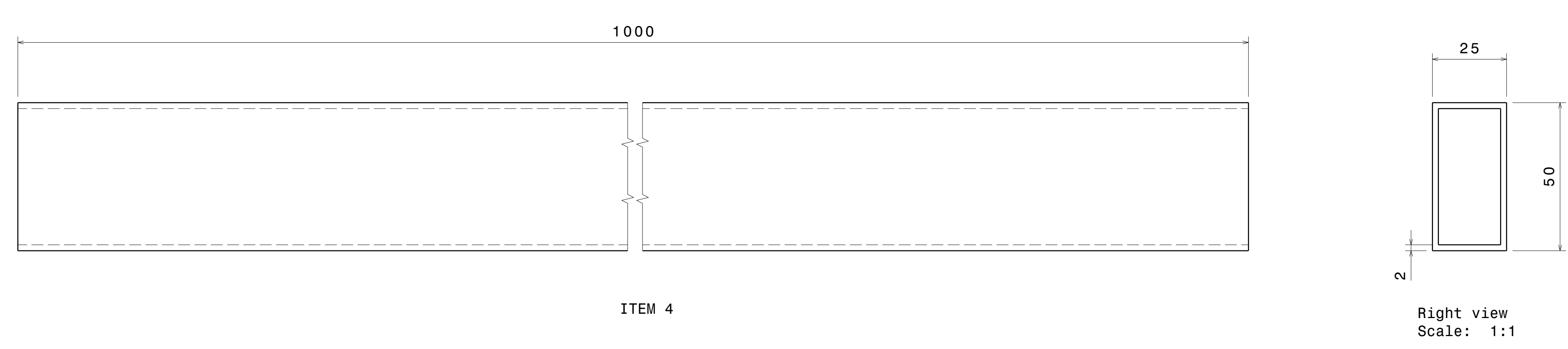
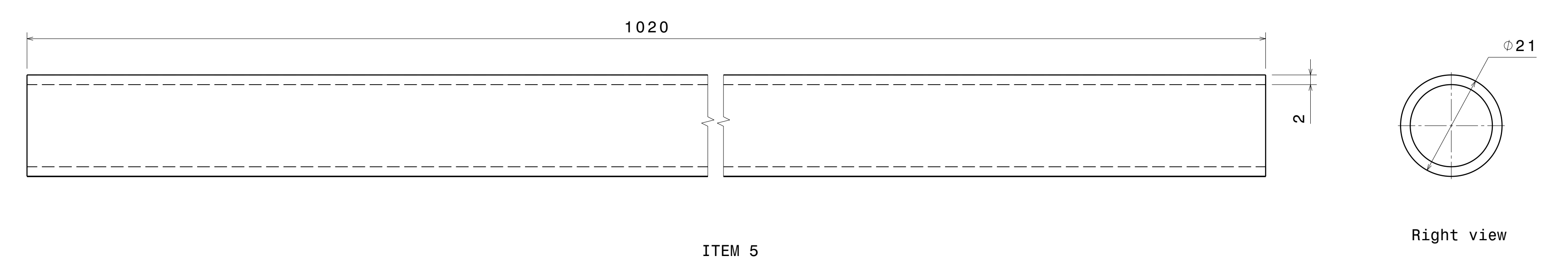
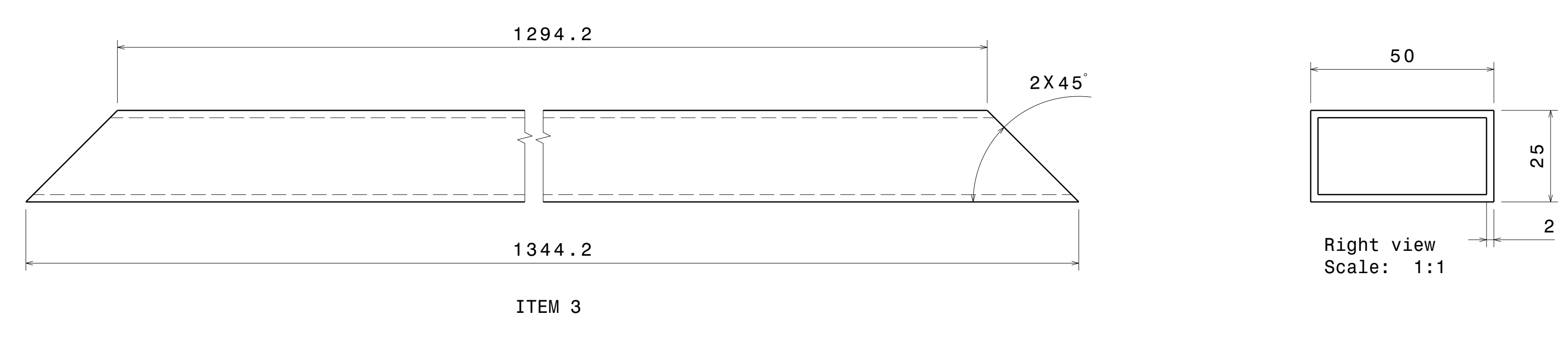
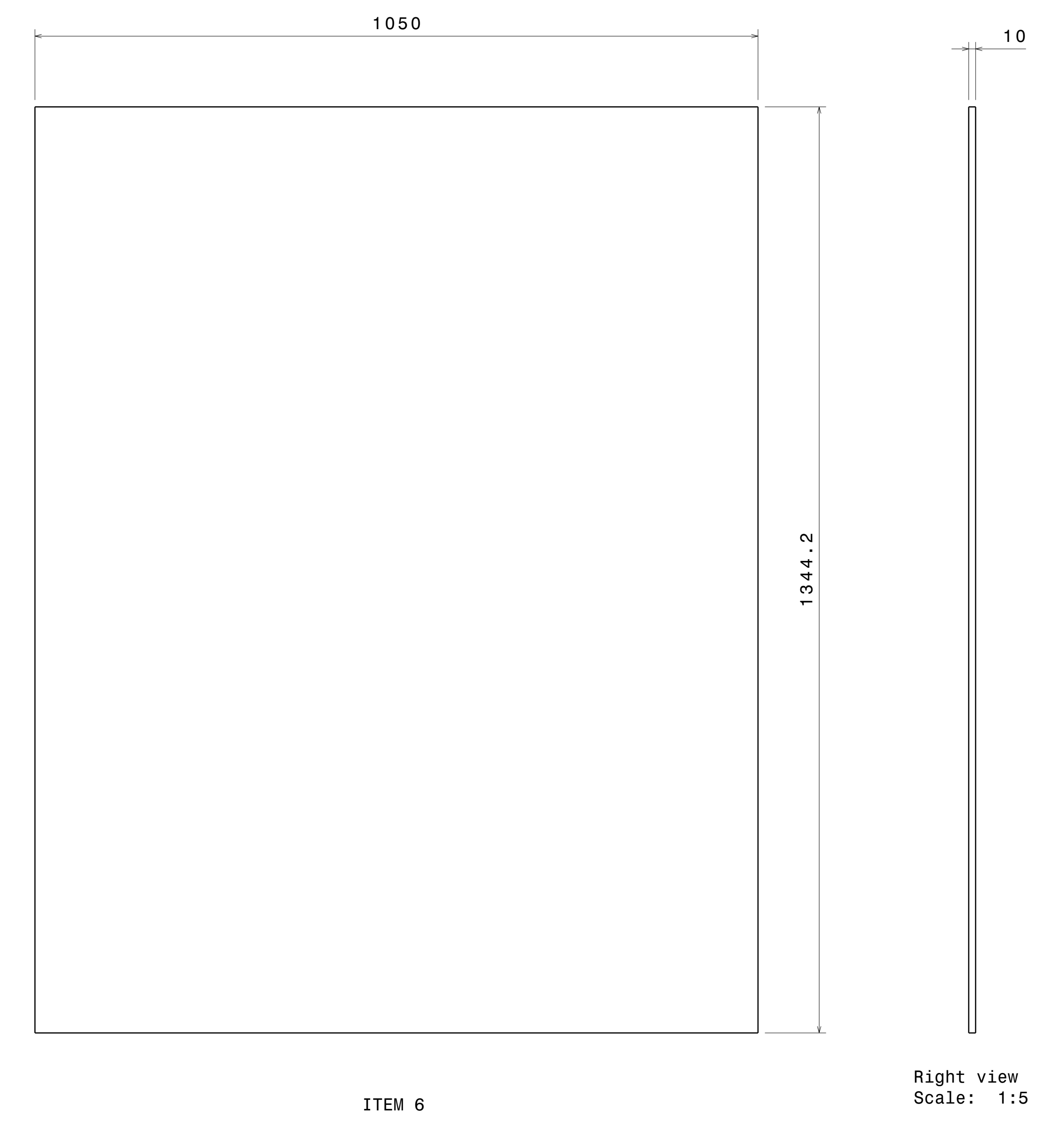
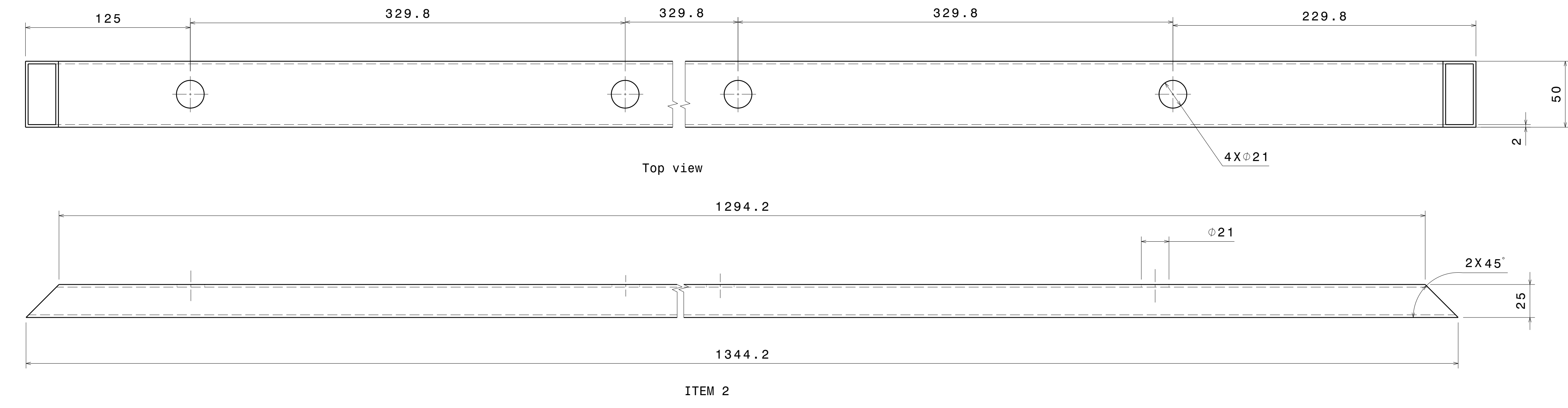
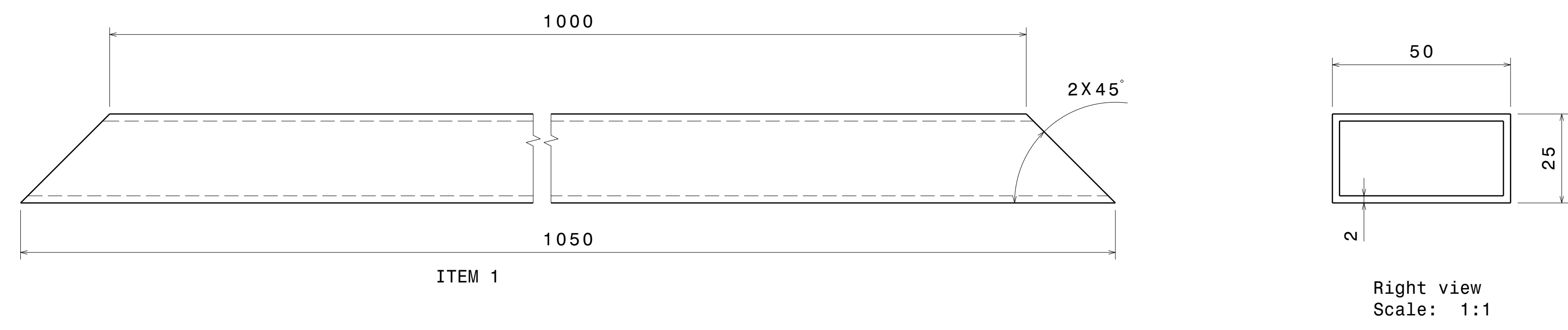
2 TYP
GAP FOR WELD BEADS
(OPTIONAL)

2 TYP
GAP FOR WELD BEADS
(OPTIONAL)

UNLESS OTHERWISE SPECIFIED DIMENSION ARE IN MM VIEWS: THIRD ANGLE PROJECTION

This drawing is our property. It can't be reproduced or communicated without our written agreement.		APL APOLLO TUBES LTD.	
DRAWN BY SB		DATE 10JUN2020	
CHECKED BY P2P Analysis & Solutions		DATE 10JUN2020	
DESIGNED BY P2P Analysis & Solutions		DATE 10JUN2020	
SIZE A0	DRAWING NUMBER P2P May 11	REV 00	
SCALE NONE	WEIGHT (kg) XXX	SHEET 2 OF 3	

REV	DATE	DESCRIPTION
00	10JUN2020	INITIAL REVISION



UNLESS OTHERWISE SPECIFIED DIMENSION ARE IN MM
VIEWS: THIRD ANGLE PROJECTION

This drawing is our property. It can't be reproduced or communicated without our written agreement.		APL APOLLO TUBES LTD.	
DRAWN BY SB		DATE 10JUN2020	
CHECKED BY P2P Analysis & Solutions		DATE 10JUN2020	
DESIGNED BY P2P Analysis & Solutions		DATE 10JUN2020	
SIZE A0	DRAWING NUMBER P2P May 11	REV 00	
SCALE NONE	WEIGHT (kg) XXX	SHEET 3 OF 3	