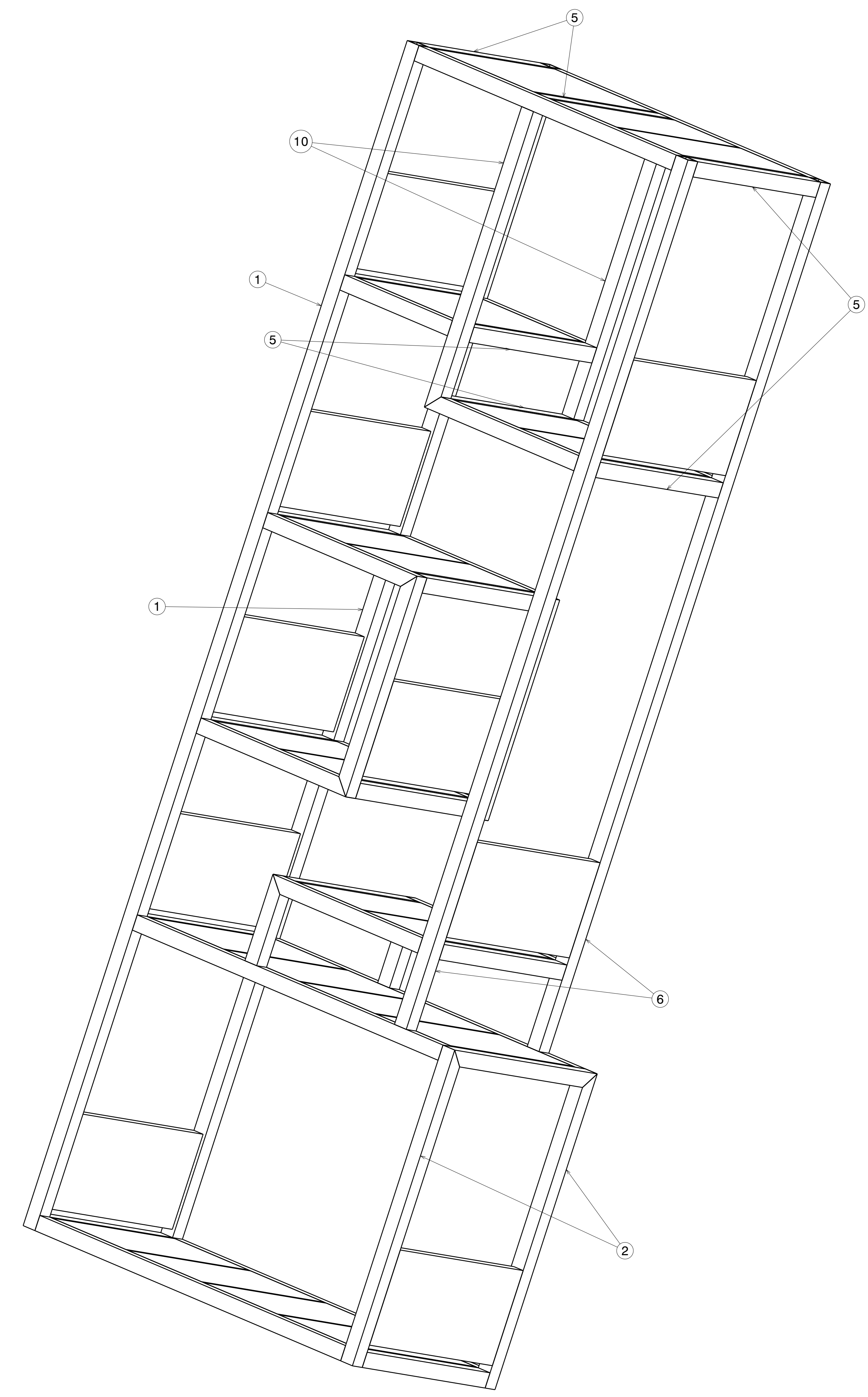


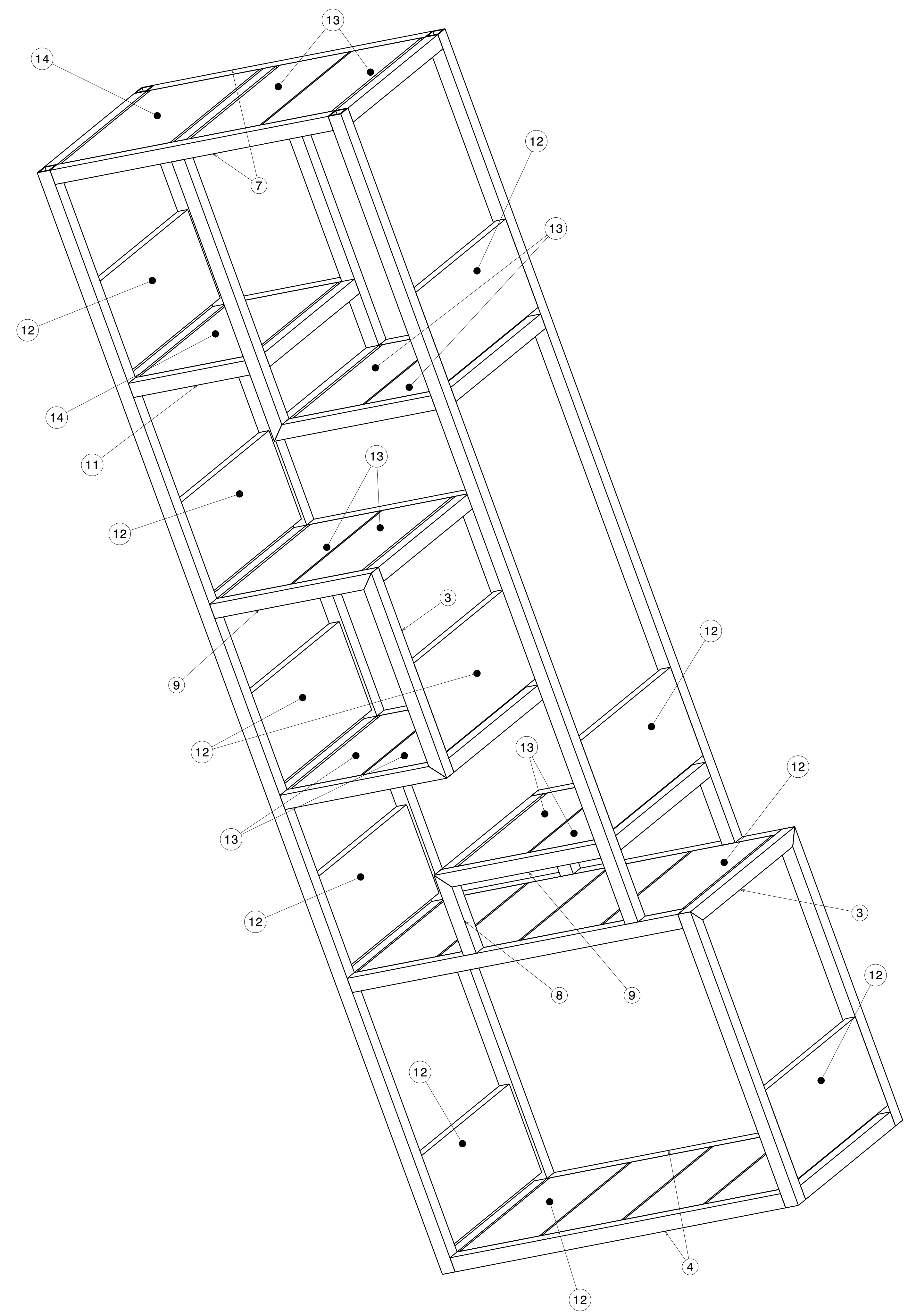
REV	DATE	DESCRIPTION
00	29JULY2020	INITIAL REVISION

NOTES:

- (⊥) ALL VERTICAL SUPPORTS ARE PERPENDICULAR.
- FLATNESS OF .5MM IS APPLIED BY DEFAULT.
- ⊥ WELD BEAD OF 2MM RADIUS IS FOLLOWED.
- ▽ SURFACE FINISH MEDIUM TO SMOOTH IS USED.
- ALL TUBES ARE AS PER APL APOLLO STANDARD. CHANGES MAY EFFECT THE LOAD CAPACITY.
- ALL HORIZONTAL AND VERTICAL TUBES ARE PERPENDICULAR TO EACH OTHER WITH ±1 DEG.
- FINE WELDING IS REQUIRED AS PER MENTIONED DETAILS AND FINISHING.
- HIGHER CURRENT WELDING MAY AFFECT THE BRITTLENESS OF MATERIAL WHICH LATER MAY RAISE TO WEAKENING OF STRUCTURE.
- FABRICATORS ARE ALLOWED TO USE FITTINGS/FRAMES/SUPPORTS AS NEEDED AND THE SAME MUST BE COMMUNICATED BACK TO ENGINEERING TEAM.
- BOP COMPONENT WEIGHTS ARE FOR REFERENCE ONLY AND SUBJECTED TO CHANGE PER PURCHASED COMPONENTS.



Isometric view



Isometric view

ITEM NO.	PART NUMBER	DESCRIPTION	QTY.	Wt (Kg)/Each
14	Plank3	275 X 25 X 1.6 , L=400	2	5.9
13	Plank2	175 X 25 X 1.6 , L=400	10	3.9
12	Plank1	200 X 25 X 1.6 , L=400	17	2.2
11	Sq Tube WA0027 Frame 11	32 X 32 X 3.2 X 293	2	0.85
10	Sq Tube WA0027 Frame 10	32 X 32 X 3.2 X 632	2	1.8
9	Sq Tube WA0027 Frame 9	32 X 32 X 3.2 X 407	8	1.1
8	Sq Tube WA0027 Frame 8	32 X 32 X 3.2 X 182	2	0.5
7	Sq Tube WA0027 Frame 7	32 X 32 X 3.2 X 700	2	2.0
6	Sq Tube WA0027 Frame 6	32 X 32 X 3.2 X 1828	2	5.3
5	Sq Tube WA0027 Frame 5	32 X 32 X 3.2 X 400	16	1.2
4	Sq Tube WA0027 Frame 4	32 X 32 X 3.2 X 832	4	2.4
3	Sq Tube WA0027 Frame 3	32 X 32 X 3.2 X 464	3	1.25
2	Sq Tube WA0027 Frame 2	32 X 32 X 3.2 X 664	2	1.9
1	Sq Tube WA0027 Frame 1	32 X 32 X 3.2 X 2492	2	7.2

This drawing is our property. It can't be reproduced or communicated without our written agreement.

APL APOLLO TUBES LTD.

DRAWING TITLE: **JUNE 4**

SCALE: **A0** DRAWING NUMBER: **P2P JUNE 4** REV: **00**

DESIGNED BY: P2P Analysis & Solutions DATE: 29JULY2020

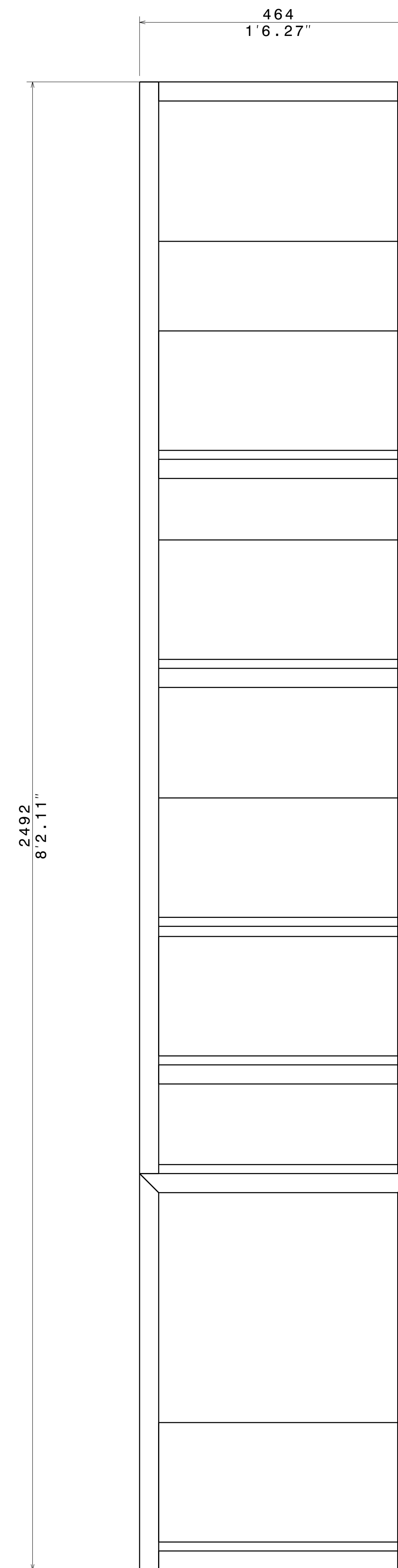
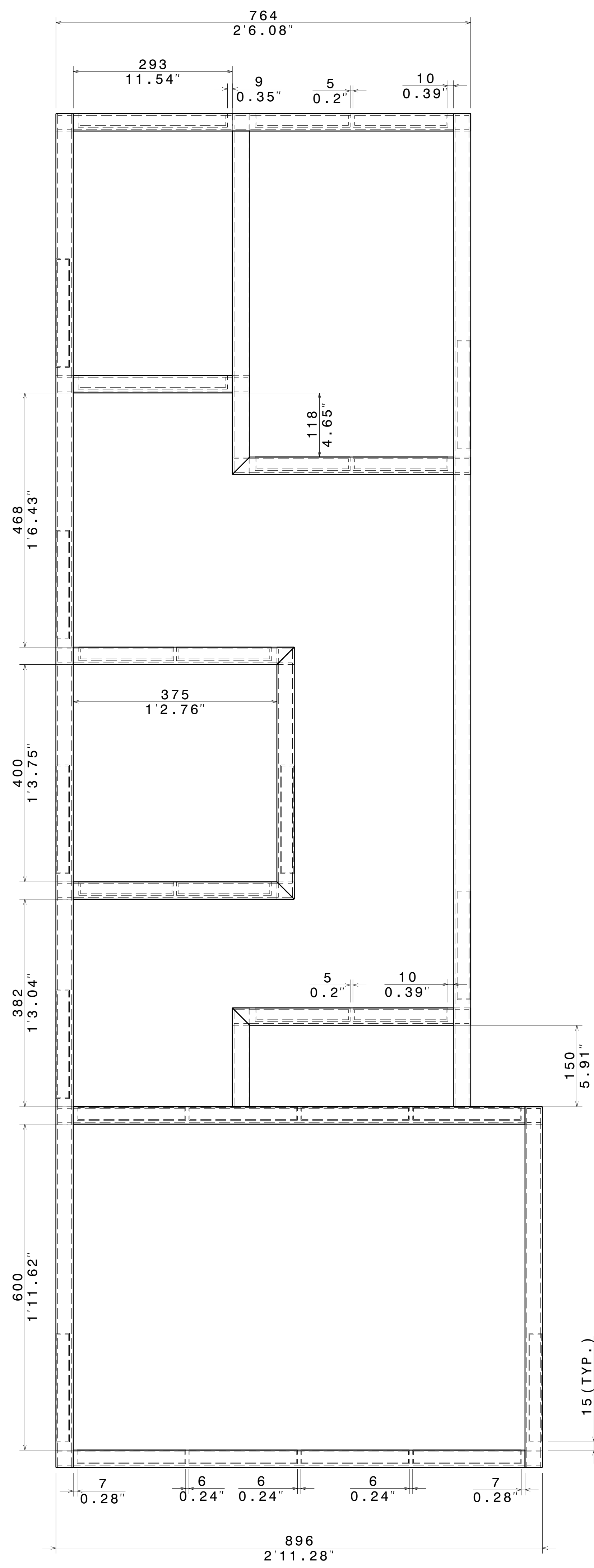
CHECKED BY: P2P Analysis & Solutions DATE: 29JULY2020

DRAWN BY: SB DATE: 29JULY2020

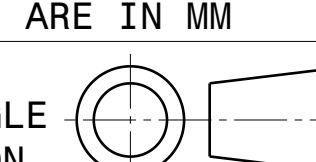
UNLESS OTHERWISE SPECIFIED DIMENSION ARE IN MM VIEWS: THIRD ANGLE PROJECTION


WEIGHT (kg) 0kg SHEET 1 OF 3

REV	DATE	DESCRIPTION
00	29JULY2020	INITIAL REVISION

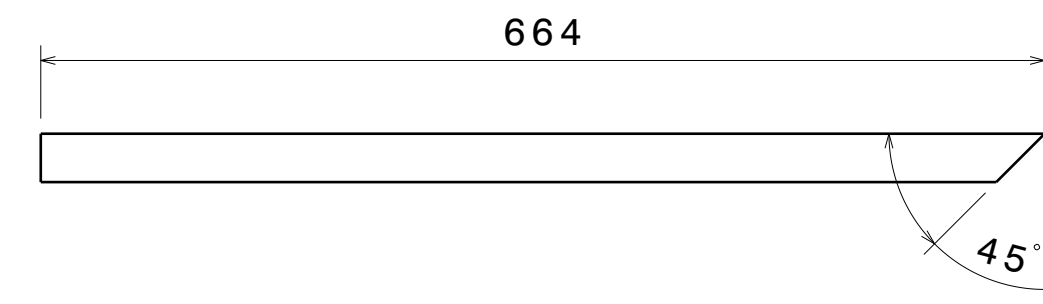


UNLESS OTHERWISE SPECIFIED DIMENSION ARE IN MM VIEWS: THIRD ANGLE PROJECTION

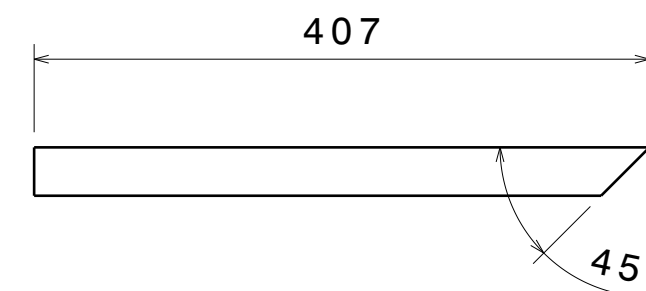


This drawing is our property. It can't be reproduced or communicated without our written agreement.		APL APOLLO TUBES LTD. 	
DRAWN BY SB		DATE 29JULY2020	
CHECKED BY P2P Analysis & Solutions		DATE 29JULY2020	
DESIGNED BY P2P Analysis & Solutions		DATE 29JULY2020	
DRAWING TITLE JUNE 4		SIZE A0	DRAWING NUMBER P2P_JUNE 4
SCALE NONE		WEIGHT (kg) XXX	REV 00
		SHEET 2 OF 3	

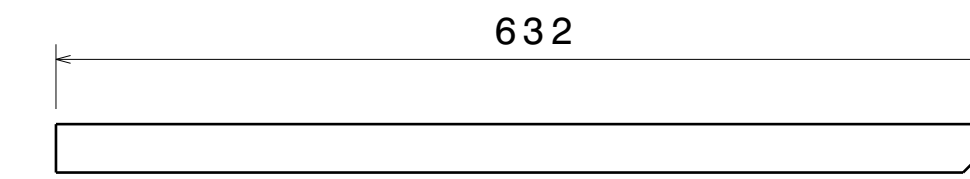
REV	DATE	DESCRIPTION
00	29JULY2020	INITIAL REVISION



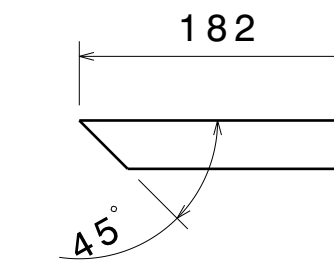
ITEM 2 DETAILS
Sq Tube WA0027 Frame 2



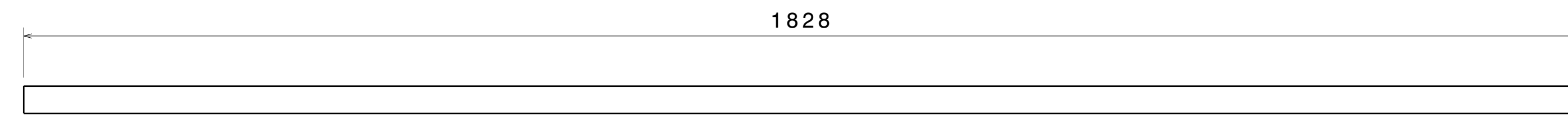
ITEM 9 DETAILS
Sq Tube WA0027 Frame 9



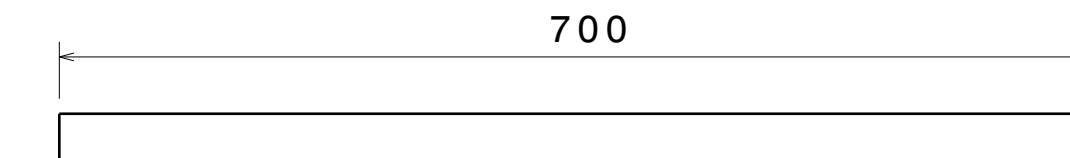
ITEM 10 DETAILS
Sq Tube WA0027 Frame 10



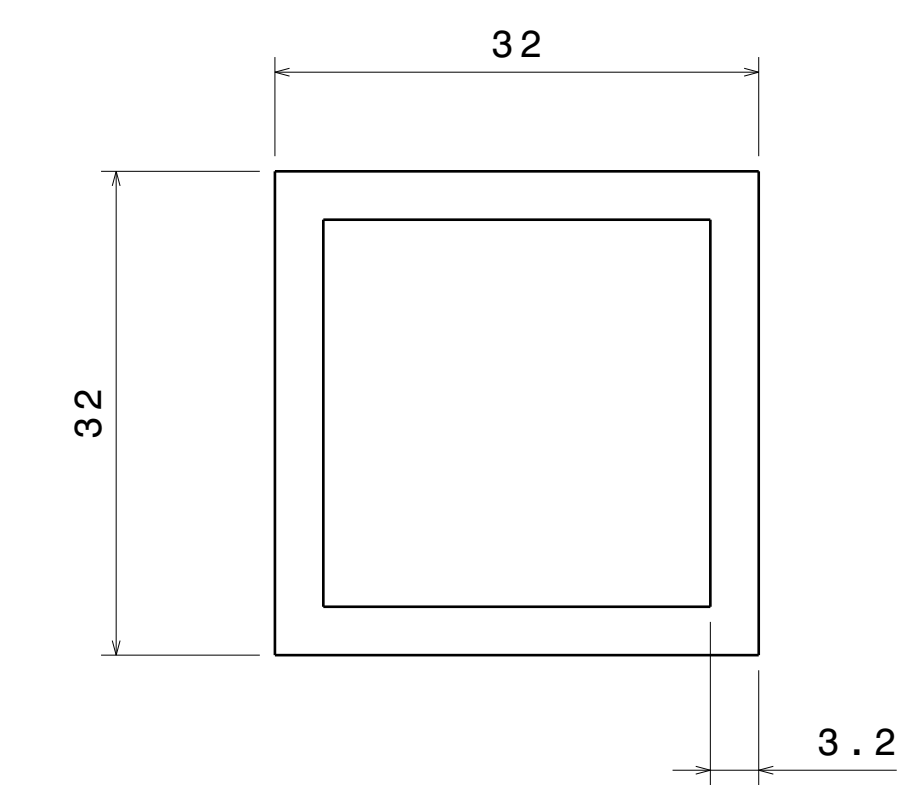
ITEM 8 DETAILS
Sq Tube WA0027 Frame 8



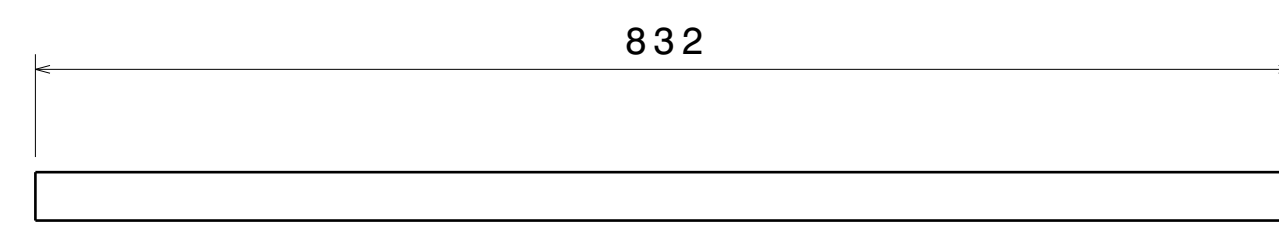
ITEM 6 DETAILS
Sq Tube WA0027 Frame 6



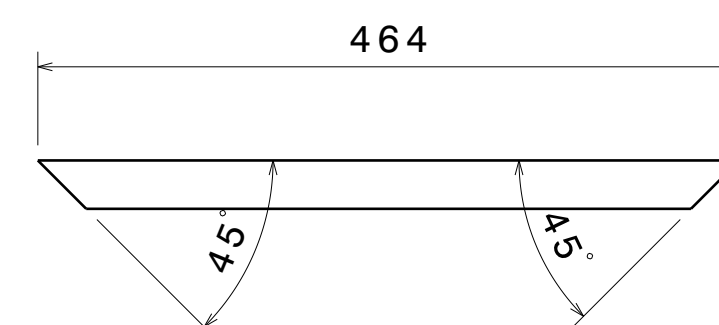
ITEM 7 DETAILS
Sq Tube WA0027 Frame 7



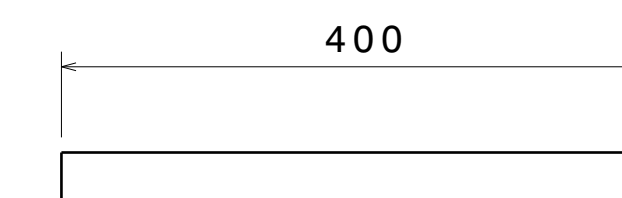
Section Detail of ITEM 1,2,3,4,5,6,7,8,9,10 & 11
Scale: 2:1



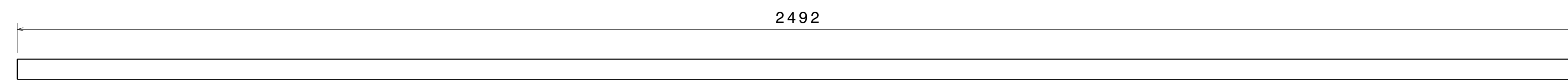
ITEM 4 DETAILS
Sq Tube WA0027 Frame 4



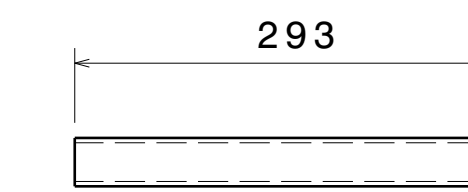
ITEM 3 DETAILS
Sq Tube WA0027 Frame 3



ITEM 5 DETAILS
Sq Tube WA0027 Frame 5



ITEM 1 DETAILS
Sq Tube WA0027 Frame 1



ITEM 11 DETAILS
Sq Tube WA0027 Frame 11

This drawing is our property.
It can't be reproduced
or communicated without
our written agreement.

APL APOLLO TUBES LTD. 

DRAWN BY	DATE
SB	29JULY2020
CHECKED BY	DATE
P2P Analysis & Solutions	29JULY2020
DESIGNED BY	DATE
P2P Analysis & Solutions	29JULY2020

DRAWING TITLE		JUNE 4		REV
SIZE	DRAWING NUMBER			00
A0	P2P_JUNE 4			
SCALE	NONE	WEIGHT (kg)	XXX	SHEET 3 OF 3

UNLESS OTHERWISE SPECIFIED DIMENSION ARE IN MM
VIEWS: THIRD ANGLE PROJECTION

