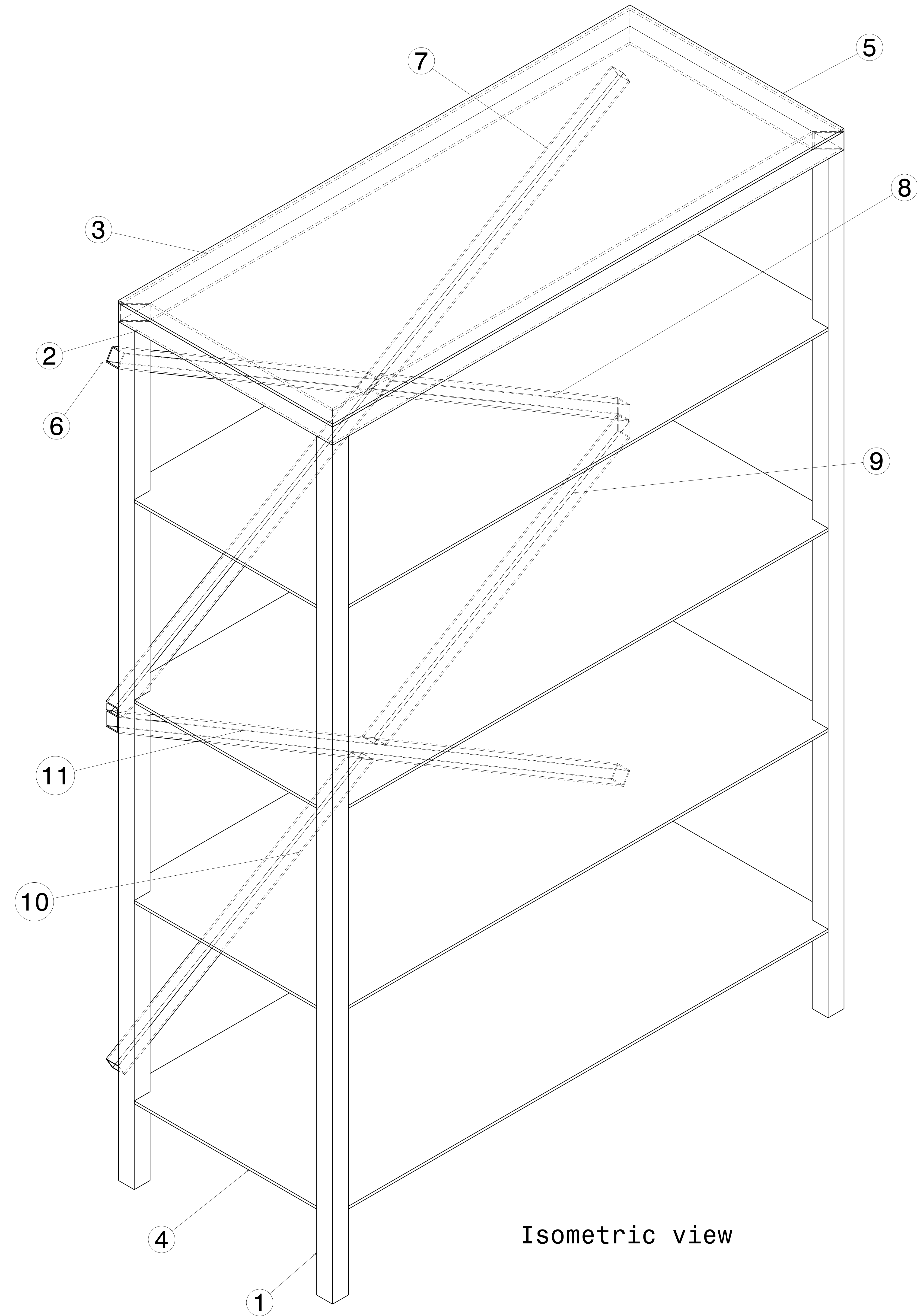


REV	DATE	DESCRIPTION
00	15jun2020	INITIAL REVISION



- NOTES:
- (⊥) ALL VERTICAL SUPPORTS ARE PERPENDICULAR.
 - FLATNESS OF .5MM IS APPLIED BY DEFAULT.
 - ⊘ WELD BEAD OF 2MM RADIUS IS FOLLOWED.
 - ▽ SURFACE FINISH MEDIUM TO SMOOTH IS USED.
 - ALL TUBES ARE AS PER APL APOLLO STANDARD. CHANGES MAY EFFECT THE LOAD CAPACITY.
 - ALL HORIZONTAL AND VERTICAL TUBES ARE PERPENDICULAR TO EACH OTHER WITH ±1 DEG.
 - FINE WELDING IS REQUIRED AS PER MENTIONED DETAILS AND FINISHING.
 - HIGHER CURRENT WELDING MAY AFFECT THE BRITTLENESS OF MATERIAL WHICH LATER MAY RAISE TO WEAKENING OF STRUCTURE.
 - FABRICATORS ARE ALLOWED TO USE FITTINGS/FRAMES/SUPPORTS AS NEEDED AND THE SAME MUST BE COMMUNICATED BACK TO ENGINEERING TEAM.
 - BOP COMPONENT WEIGHTS ARE FOR REFERENCE ONLY AND SUBJECTED TO CHANGE PER PURCHASED COMPONENTS.

Isometric view

ITEM NO.	PART NUMBER	DESCRIPTION	QTY.	Wt (kg)/Each
11	May 14 Frame 9	25 X 25 X 1.6 X 1199	1	1.4
10	May 14 Frame 8	25 X 25 X 1.6 X 584	1	0.7
9	May 14 Frame 7	25 X 25 X 1.6 X 599.5	1	0.7
8	May 14 Frame 6	25 X 25 X 1.6 X 584.5	1	0.7
7	May 14 Frame 5	25 X 25 X 1.6 X 1190.3	1	1.4
6	May 14 Frame 4	25 X 25 X 1.6 X 598.5	1	0.7
5	May 14 Plate BOP 2	1032 X 432 X 5 THK	1	17.3
4	May 14 Plate BOP 1	1032 X 432 X 5 THK	3	17.4
3	May 14 Frame 3	32 X 32 X 2 X 1032	2	1.85
2	May 14 Frame 2	32 X 32 X 2 X 432	2	0.78
1	May 14 Frame 1	32 X 32 X 2 X 1500	4	2.8

This drawing is our property. It can't be reproduced or communicated without our written agreement.

APL APOLLO TUBES LTD.

DRAWING TITLE: **May 14**

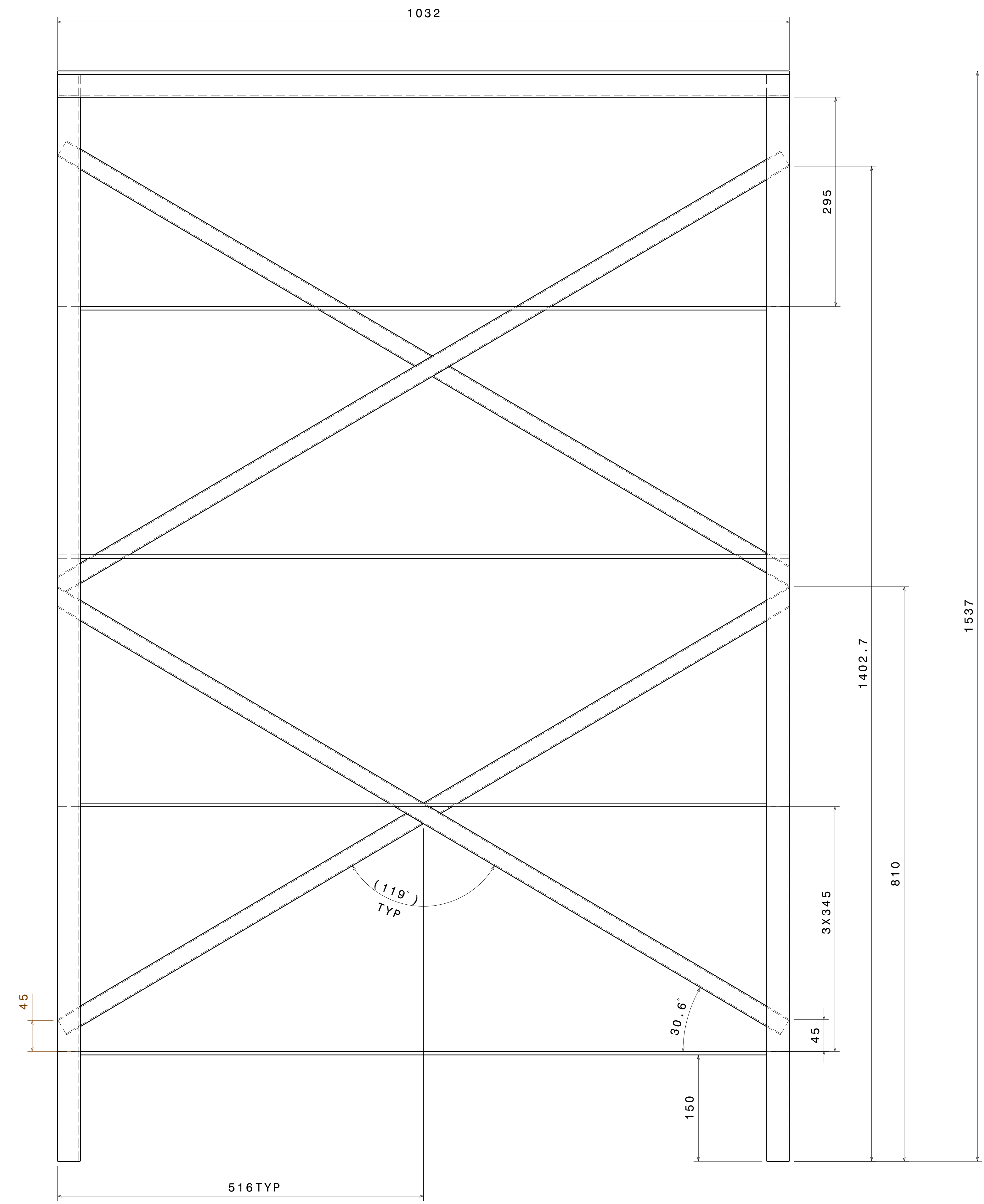
DESIGNED BY: P2P Analysis & Solutions | DATE: 15jun2020 | SIZE: A0 | DRAWING NUMBER: P2P May 14 | REV: 00

CHECKED BY: P2P Analysis & Solutions | DATE: 15jun2020 | SCALE: As Indicated | WEIGHT (kg): 0kg | SHEET 1 OF 3

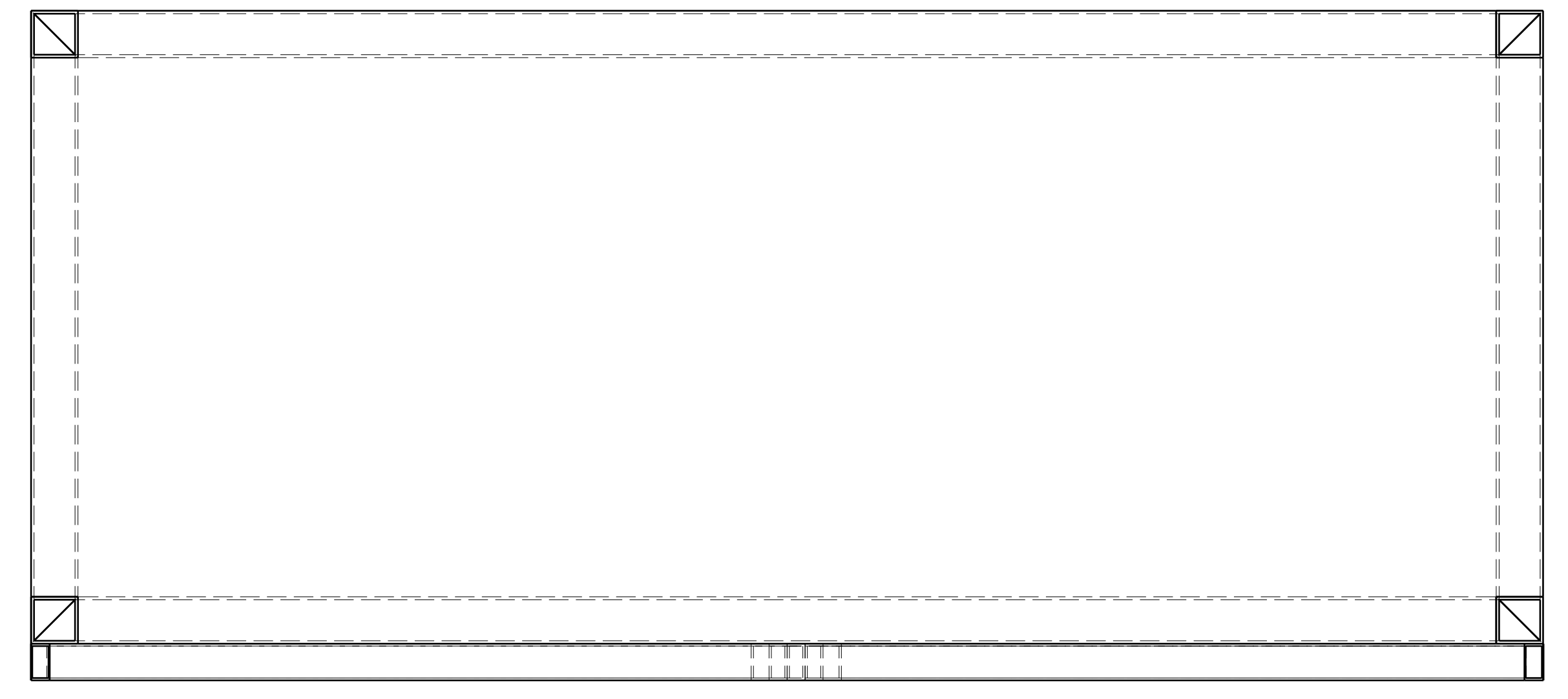
DRAWN BY: SB | DATE: 15jun2020

UNLESS OTHERWISE SPECIFIED DIMENSION ARE IN MM
 VIEWS: THIRD ANGLE PROJECTION

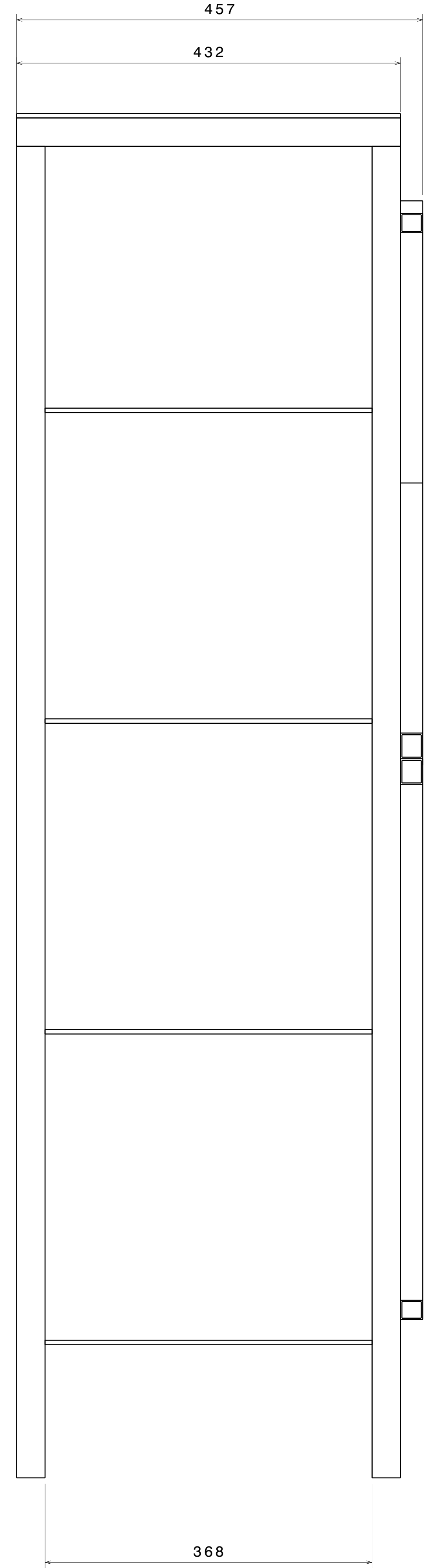
REV	DATE	DESCRIPTION
00	15jun2020	INITIAL REVISION



Front view
Scale: 3:10

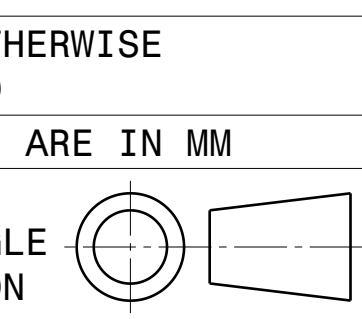



Bottom view
Scale: 3:10



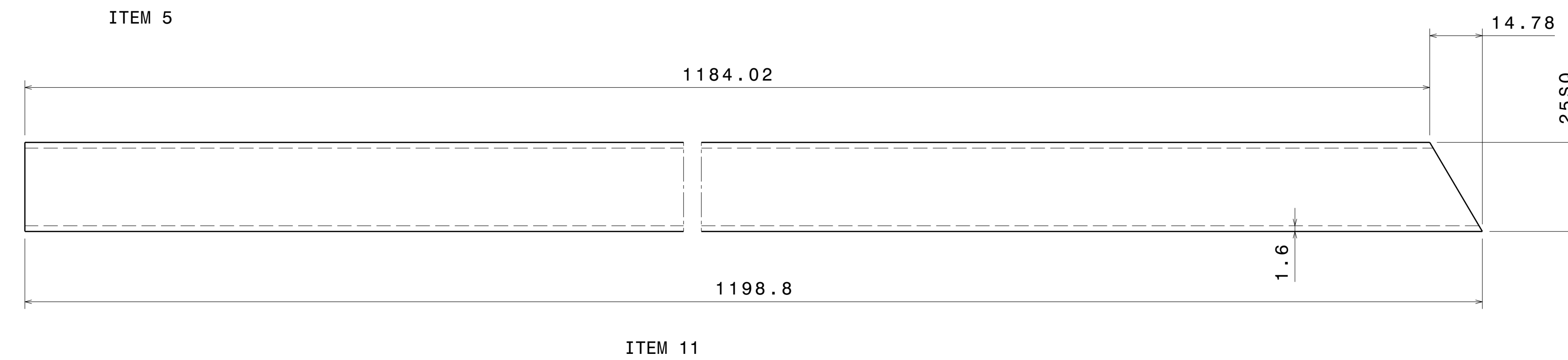
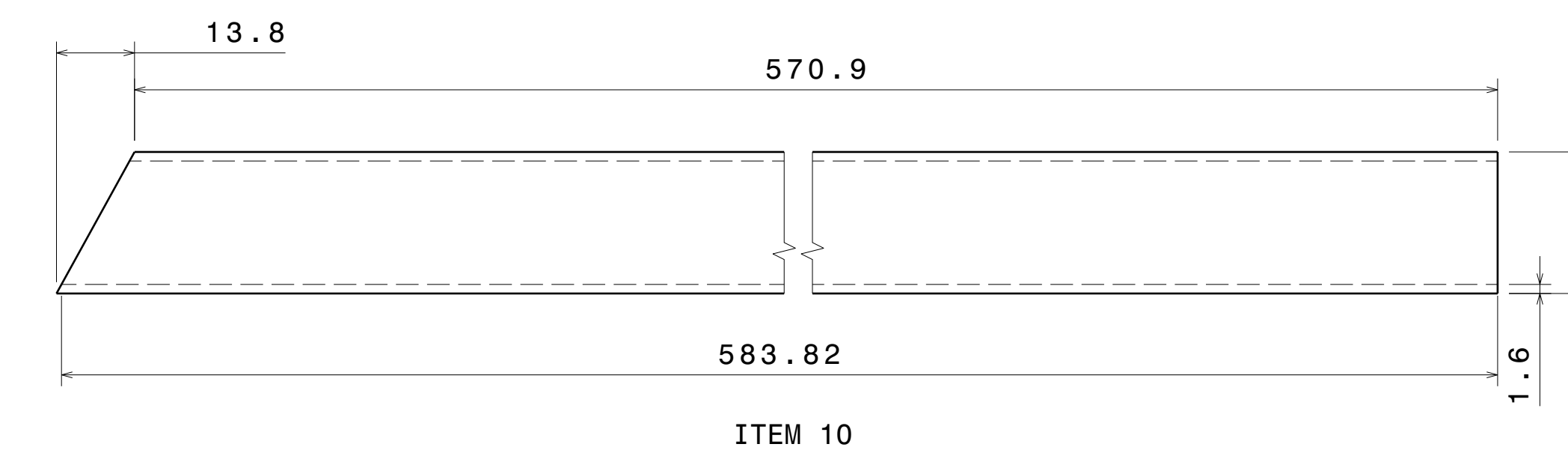
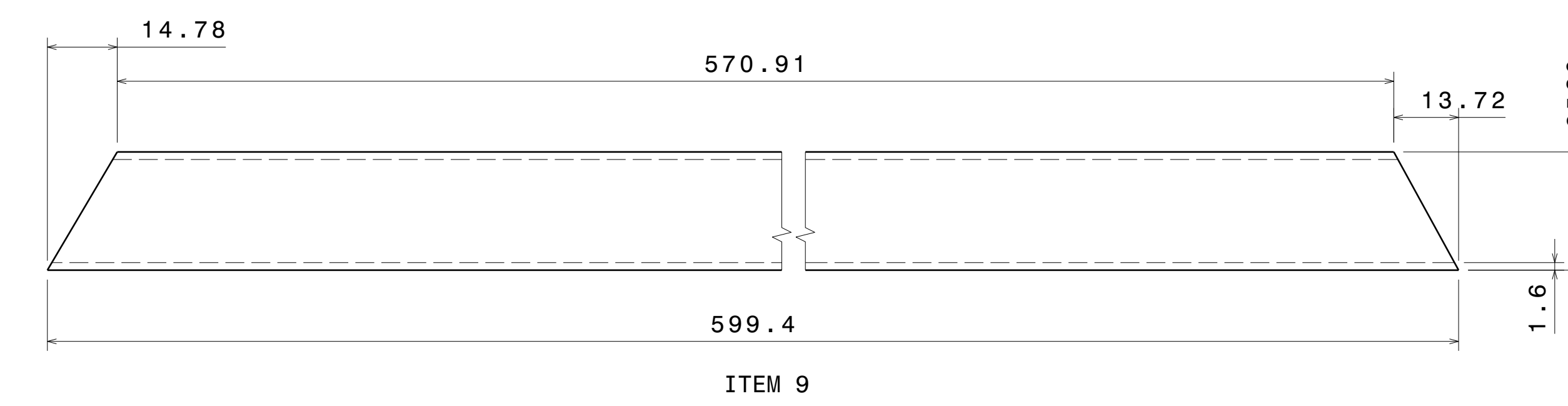
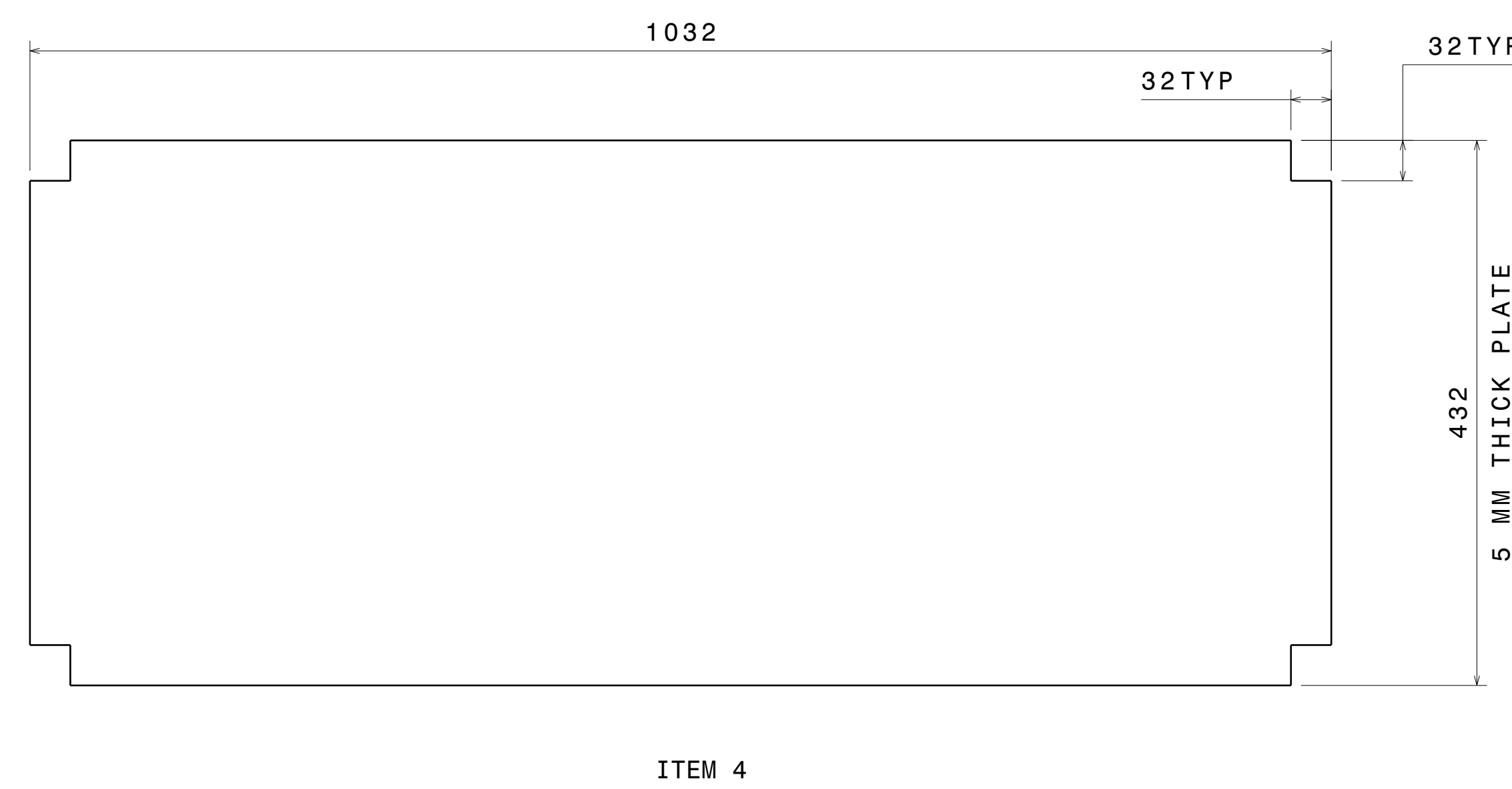
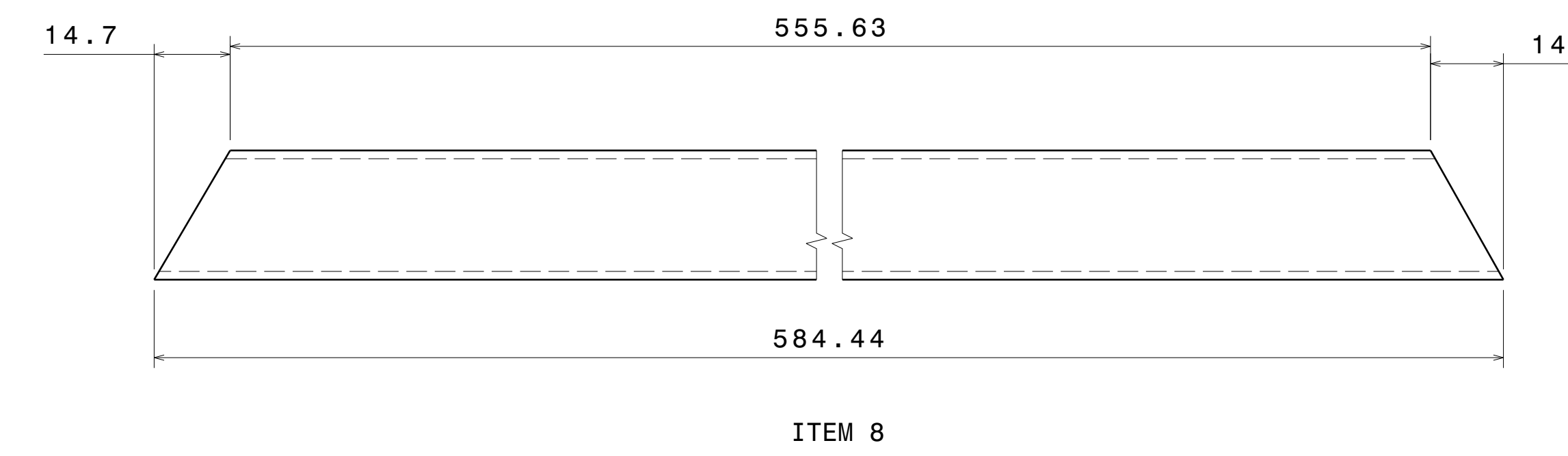
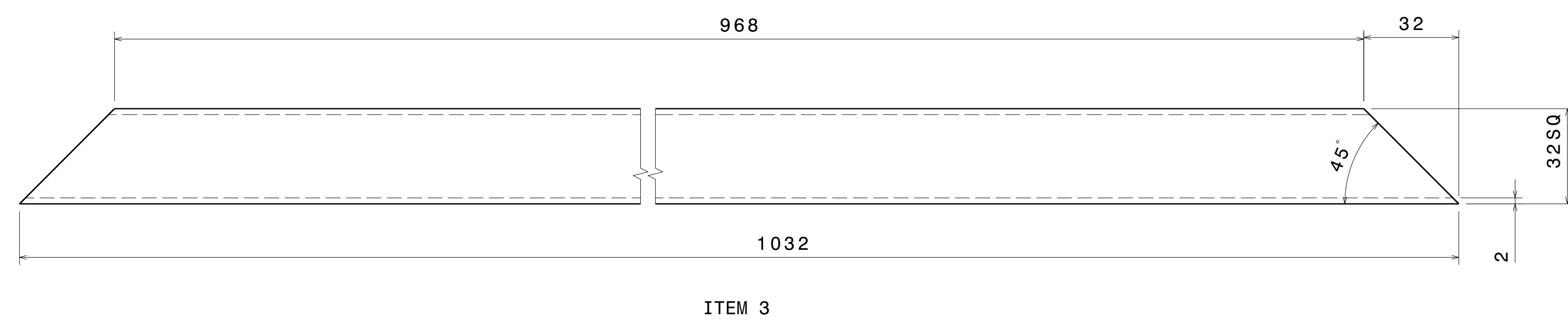
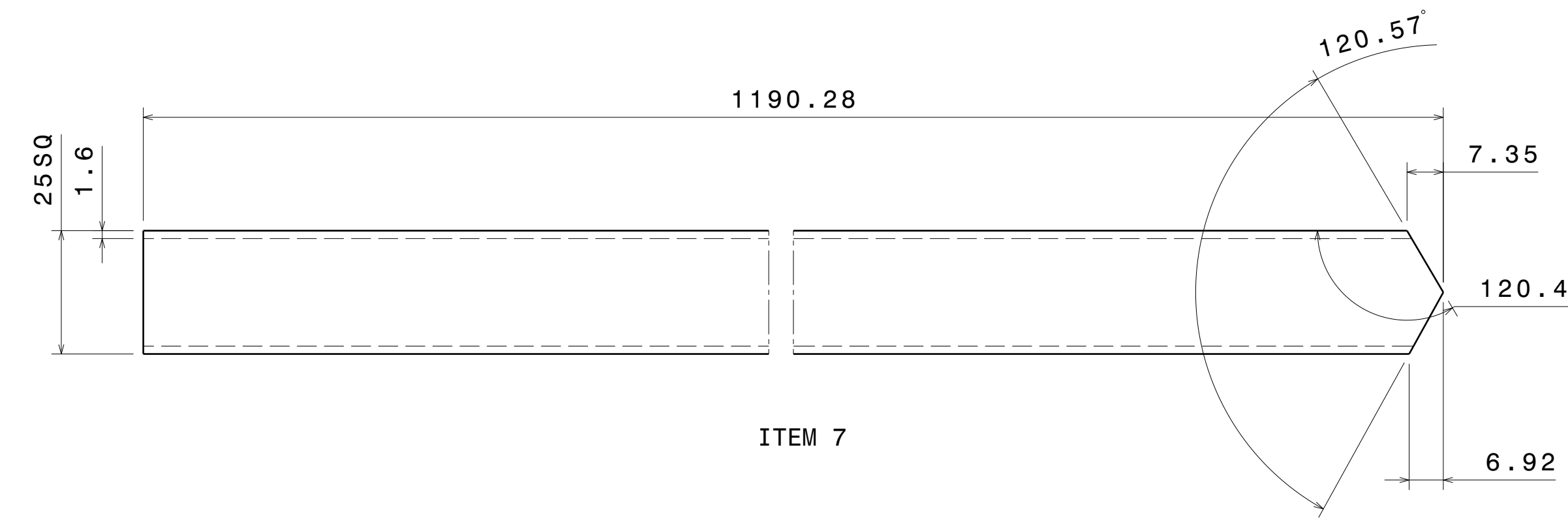
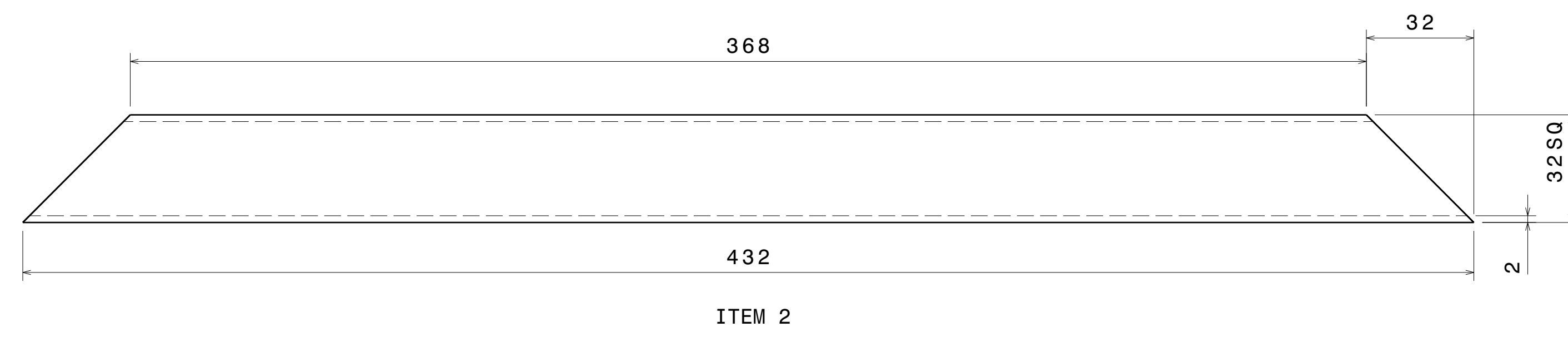
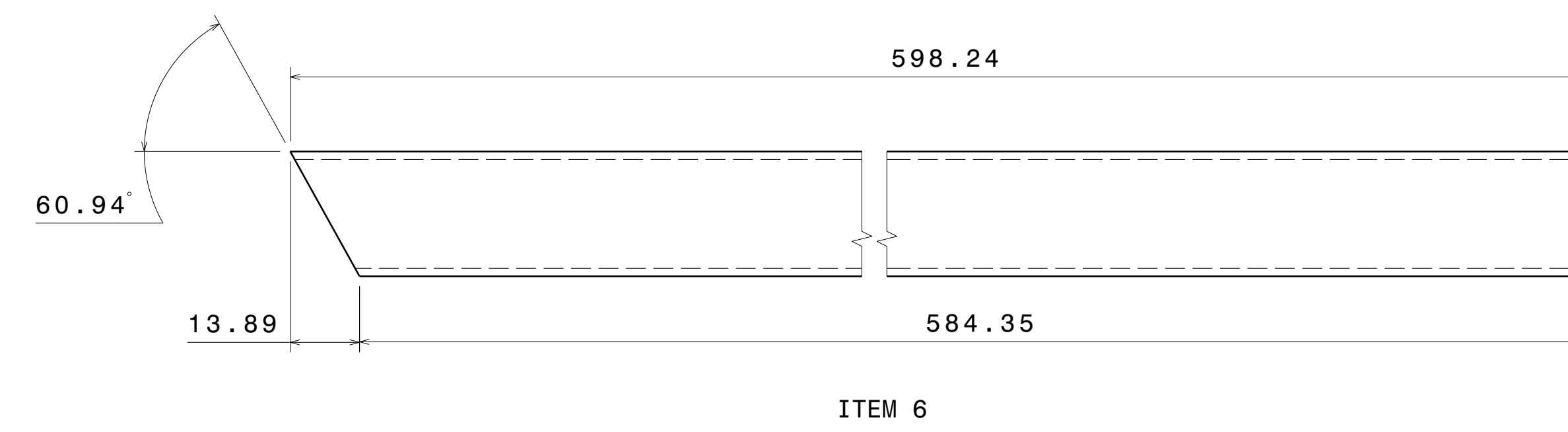
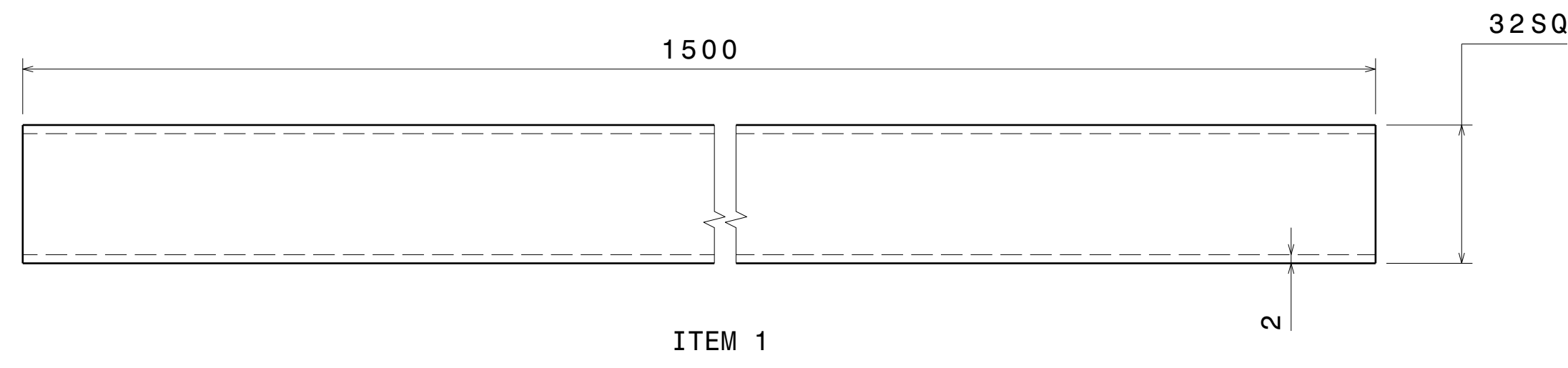
Right view
Scale: 3:10

UNLESS OTHERWISE SPECIFIED DIMENSION ARE IN MM
VIEWS: THIRD ANGLE PROJECTION

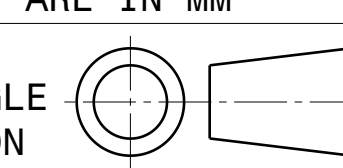


This drawing is our property. It can't be reproduced or communicated without our written agreement.		APL APOLLO TUBES LTD. 	
DRAWN BY SB		DATE 15jun2020	
CHECKED BY P2P Analysis & Solutions		DATE 15jun2020	
DESIGNED BY P2P Analysis & Solutions		DATE 15jun2020	
SIZE A0	DRAWING NUMBER P2P May 14		REV 00
SCALE NONE	WEIGHT (kg)	XXX	SHEET 2 OF 3

REV	DATE	DESCRIPTION
00	15jun2020	INITIAL REVISION




UNLESS OTHERWISE SPECIFIED DIMENSION ARE IN MM VIEWS: THIRD ANGLE PROJECTION



This drawing is our property. It can't be reproduced or communicated without our written agreement.

DRAWN BY	DATE
SB	15jun2020
CHECKED BY	DATE
P2P Analysis & Solutions	15jun2020
DESIGNED BY	DATE
P2P Analysis & Solutions	15jun2020

APL APOLLO TUBES LTD. 	
DRAWING TITLE	
May 14	
SIZE	DRAWING NUMBER
A0	P2P May 14
SCALE	WEIGHT (kg)
NONE	XXX
SHEET 3 OF 3	