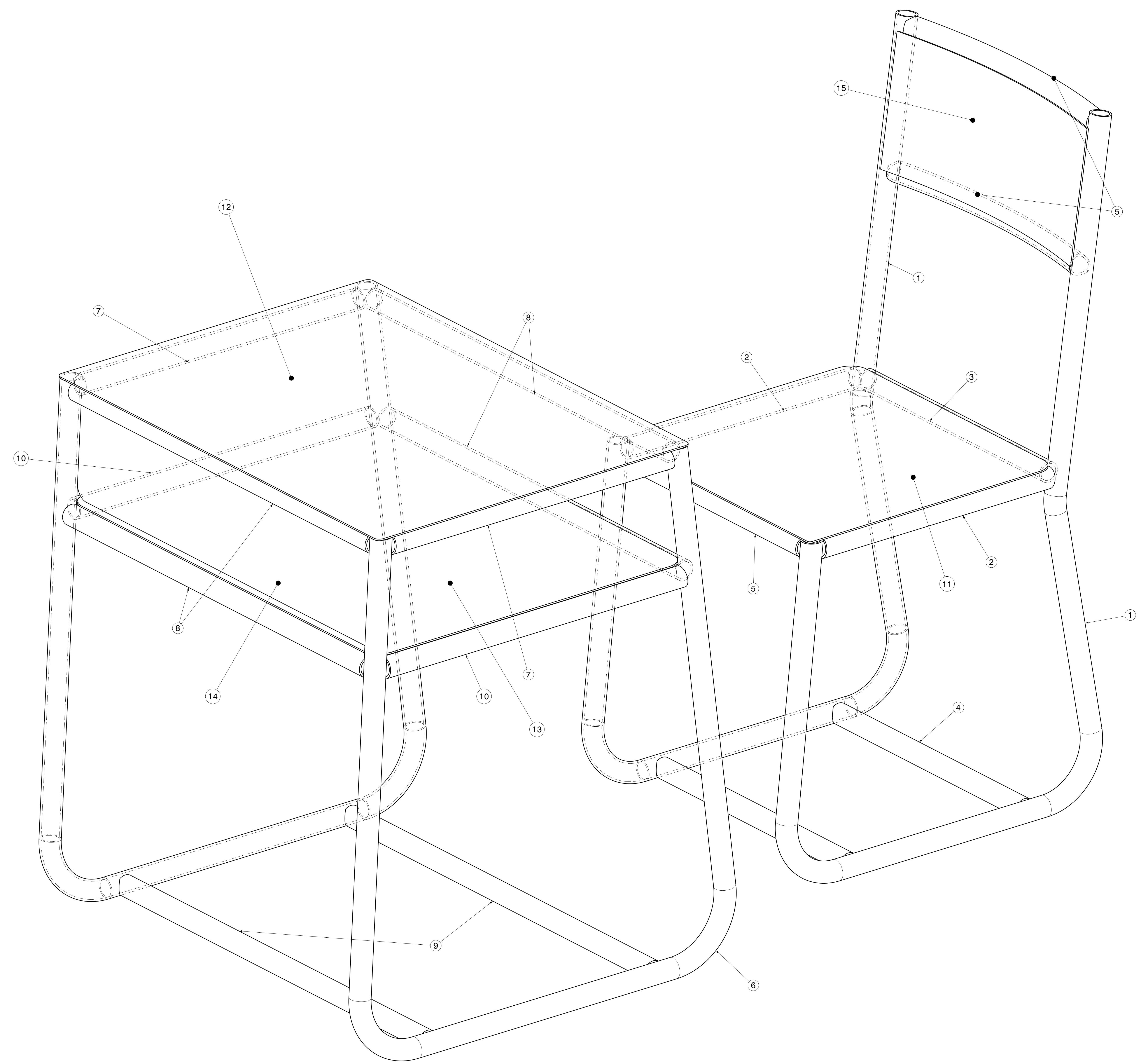


REV/DATE	DESCRIPTION
00 / 20/05/2020	INITIAL REVISION

NOTES:

1. (⊥) ALL VERTICAL SUPPORTS ARE PERPENDICULAR.
2. □ FLATNESS OF .5MM IS APPLIED BY DEFAULT.
3. ∇ WELD BEAD OF 2MM RADIUS IS FOLLOWED.
4. ∇∇ SURFACE FINISH MEDIUM TO SMOOTH IS USED.
5. ALL TUBES ARE AS PER APL APOLLO STANDARD. CHANGES MAY EFFECT THE LOAD CAPACITY.
6. ALL HORIZONTAL AND VERTICAL TUBES ARE PERPENDICULAR TO EACH OTHER WITH ±1 DEG.
7. FINE WELDING IS REQUIRED AS PER MENTIONED DETAILS AND FINISHING.
8. HIGHER CURRENT WELDING MAY AFFECT THE BRITTLENESS OF MATERIAL WHICH LATER MAY RAISE TO WEAKENING OF STRUCTURE.
9. FABRICATORS ARE ALLOWED TO USE FITTINGS/FRAMES/SUPPORTS AS NEEDED AND THE SAME MUST BE COMMUNICATED BACK TO ENGINEERING TEAM.
10. LENGTH OF ALL LONGITUDINAL FRAMES ARE FOR REFERENCE ONLY AND SUBJECTED TO CHANGE PER REQUIREMENT.



Isometric view

ITEM NO.	PART NUMBER	DESCRIPTION	QTY.	Wt(Kg)/Each
15	Plate 4-BOP	496 X 220, T=2.5	1	2.1
14	Plate 3-BOP	790 X 175.5, T=2.5	1	2.7
13	Plate 2-BOP	790 X 578.5, T=2.5	1	9.0
12	Plate 1-BOP	830 X 584, T=2.5	1	9.5
11	Plate-BOP	520 X 460, T=2.5	1	4.7
10	round_tube School Bench 7 Frame 10	33.8 X 3.2 X 558	2	1.4
9	round_tube School Bench 7 Frame 9	33.8 X 3.2 X 780	2	1.9
8	round_tube School Bench 7 Frame 8	33.8 X 3.2 X 766	4	1.9
7	round_tube School Bench 7 Frame 7	33.8 X 3.2 X 523	2	1.3
6	round_tube School Bench 7 Frame 6	33.8 X 3.2 X 2305	2	5.6
5	round_tube School Bench 7 Frame 5	33.8 X 3.2 X 495	2	1.2
4	round_tube School Bench 7 Frame 4	33.8 X 3.2 X 480	2	1.2
3	round_tube School Bench 7 Frame 3	33.8 X 3.2 X 466	2	1.1
2	round_tube School Bench 7 Frame 2	33.8 X 3.2 X 431	2	1.0
1	round_tube School Bench 7 Frame 1	33.8 X 3.2 X 2164	2	5.2

This drawing is our property. It can't be reproduced or communicated without our written agreement.

APL APOLLO TUBES LTD.

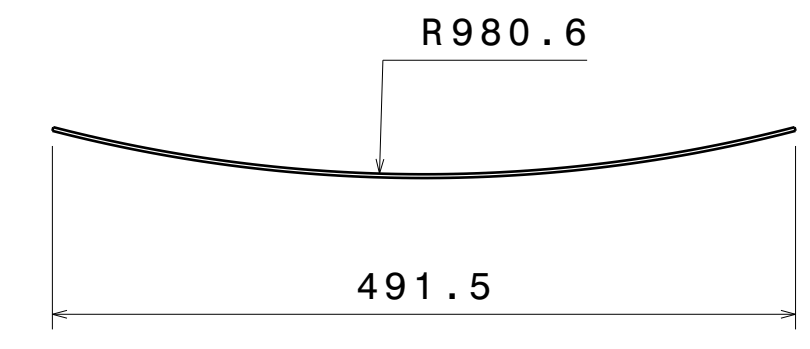
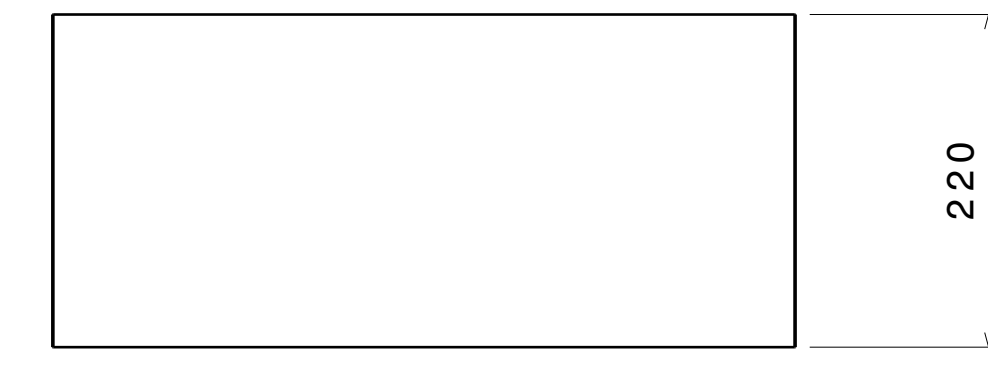
DRAWING TITLE: **SCHOOL BENCH 7**

DRAWN BY: SB	DATE: 20/05/2020	CHECKED BY: P2P Analysis & Solutions	DATE: 20/05/2020	DESIGNED BY: P2P Analysis & Solutions	DATE: 20/05/2020
--------------	------------------	--------------------------------------	------------------	---------------------------------------	------------------

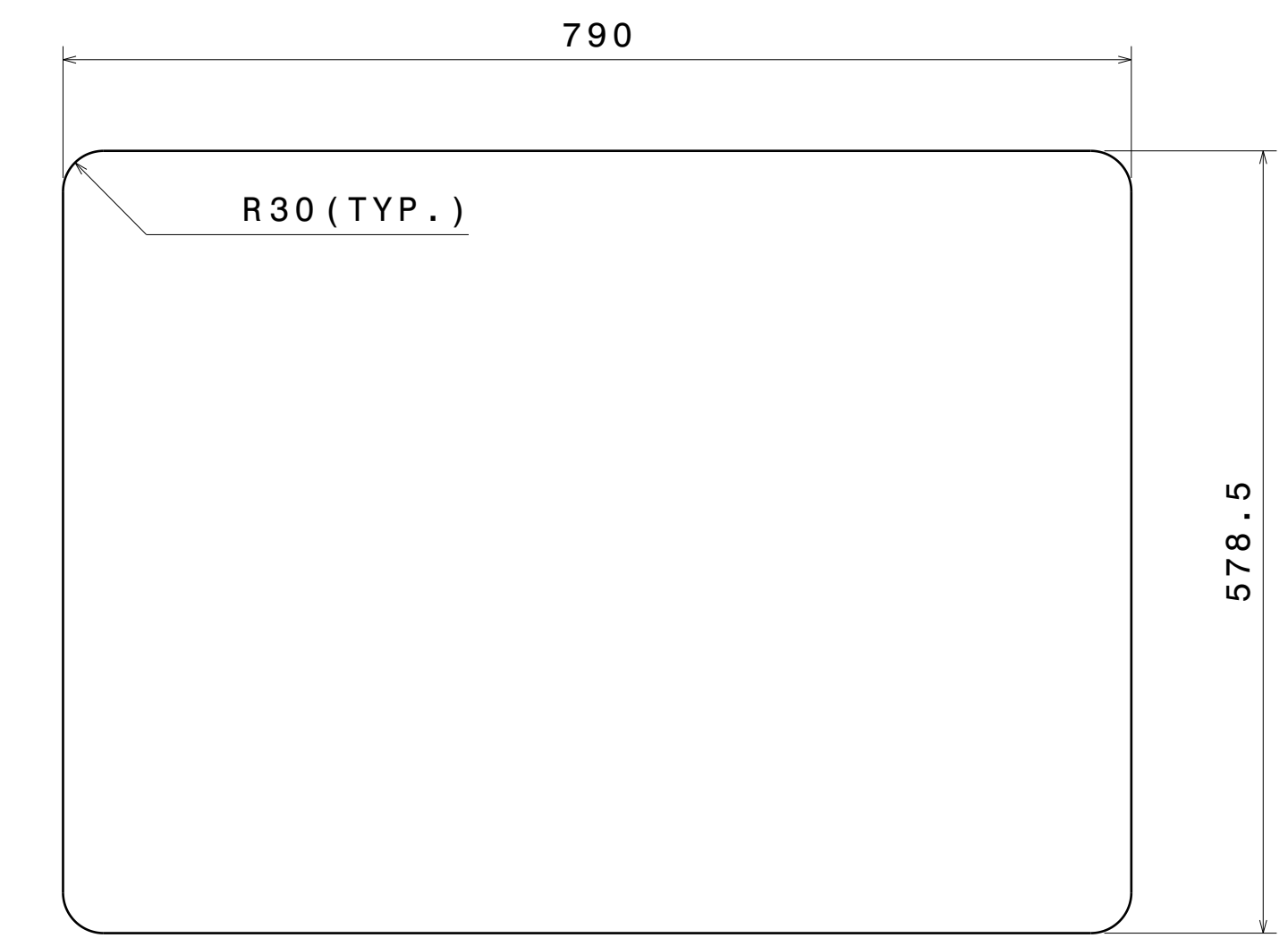
SIZE: A0	DRAWING NUMBER: P2P SCHOOL BENCH 7	REV: 00
SCALE: As Indicated	WEIGHT (kg): 0kg	SHEET 1 OF 5

UNLESS OTHERWISE SPECIFIED DIMENSION ARE IN MM VIEWS: THIRD ANGLE PROJECTION

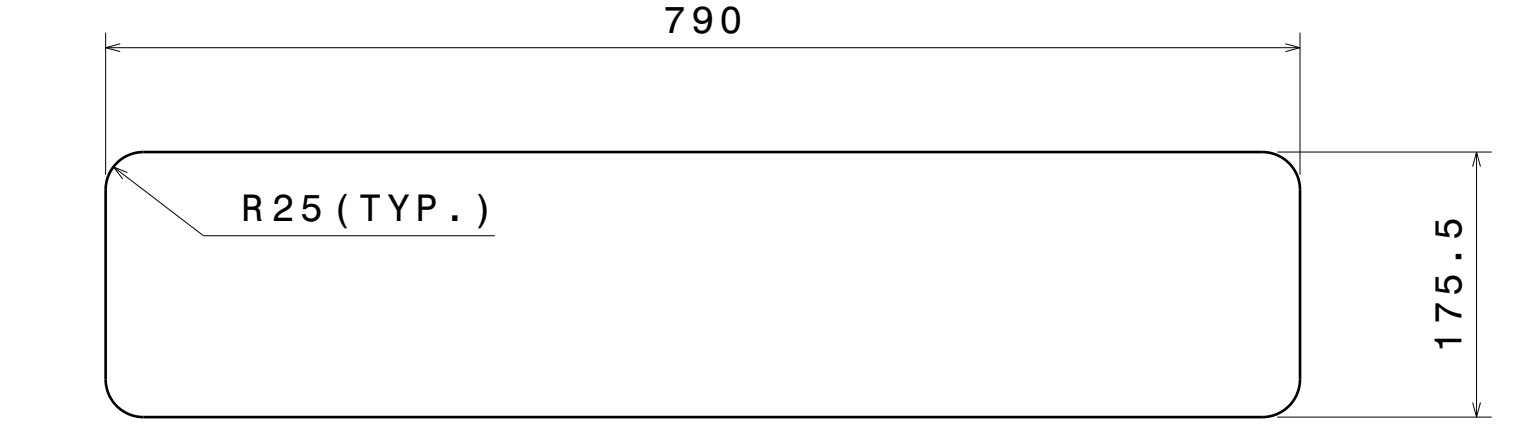
REV	DATE	DESCRIPTION
00	20/05/2020	INITIAL REVISION



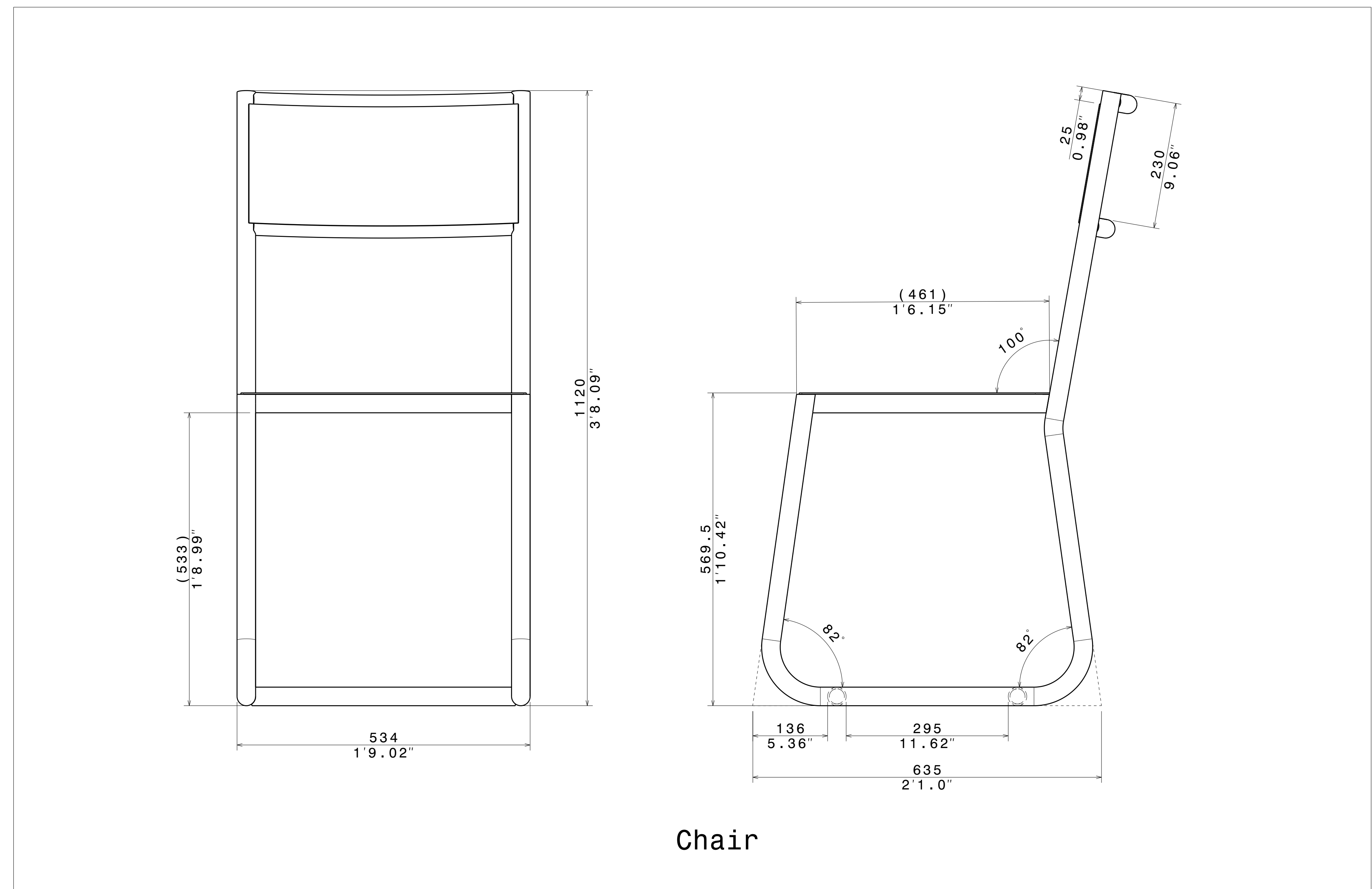
Detail (Plate 4) Item-15
(BOP)



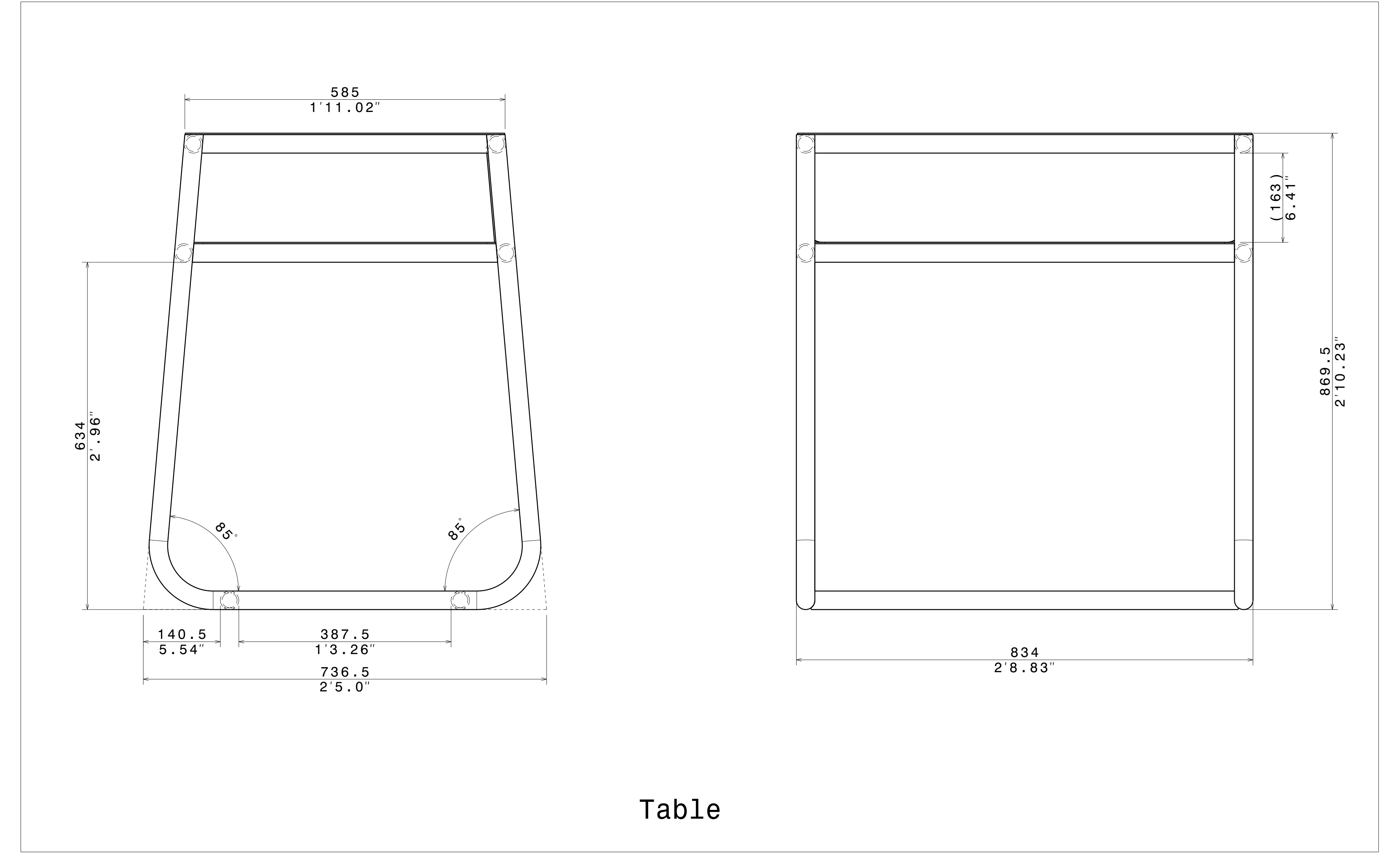
Detail (Plate 2) Item-13
(BOP)



Detail (Plate 3) Item-14
(BOP)

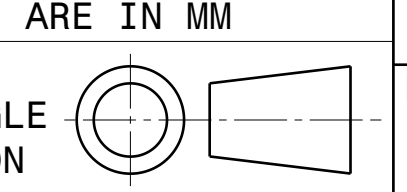


Chair



Table

UNLESS OTHERWISE SPECIFIED DIMENSION ARE IN MM
VIEWS: THIRD ANGLE PROJECTION

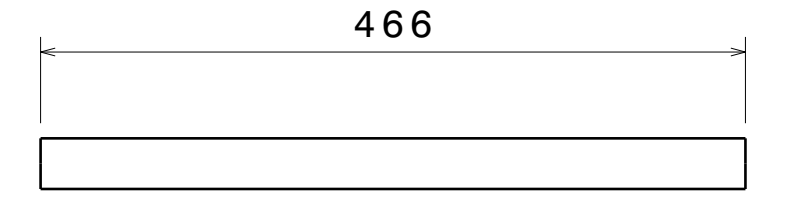


This drawing is our property. It can't be reproduced or communicated without our written agreement.

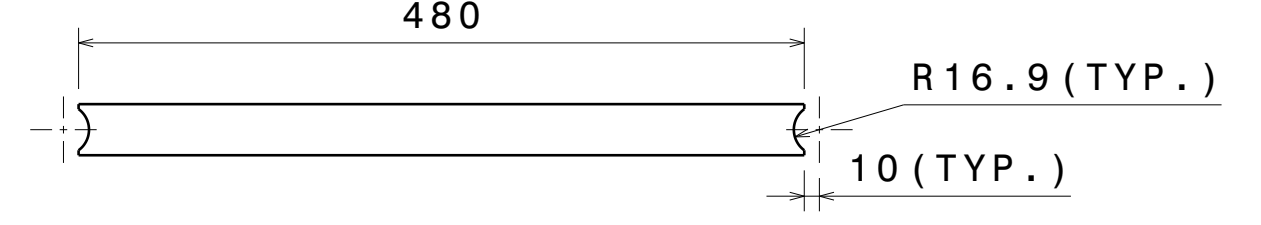
DRAWN BY	DATE
SB	20/05/2020
CHECKED BY	DATE
P2P Analysis & Solutions	20/05/2020
DESIGNED BY	DATE
P2P Analysis & Solutions	20/05/2020

APL APOLLO TUBES LTD.	
DRAWING TITLE	
SCHOOL BENCH 7	
SIZE	DRAWING NUMBER
A0	P2P SCHOOL BENCH 7
SCALE	WEIGHT (kg)
NONE	XXX
SHEET 2 OF 5	

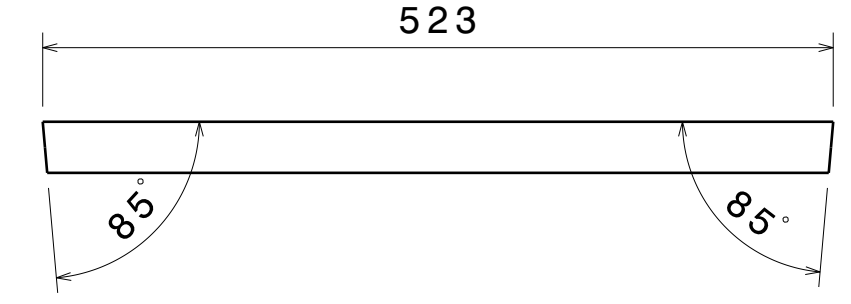
REV	DATE	DESCRIPTION
00	20/05/2020	INITIAL REVISION



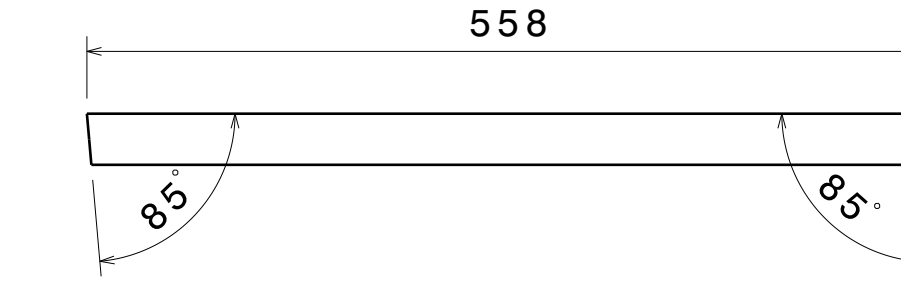
ITEM 3 DETAILS
round_tube School Bench 7 Frame 3



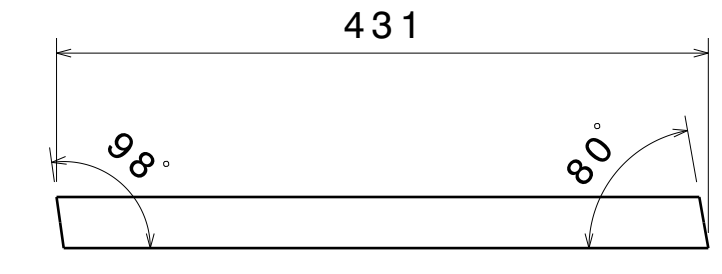
ITEM 4 DETAILS
round_tube School Bench 7 Frame 4



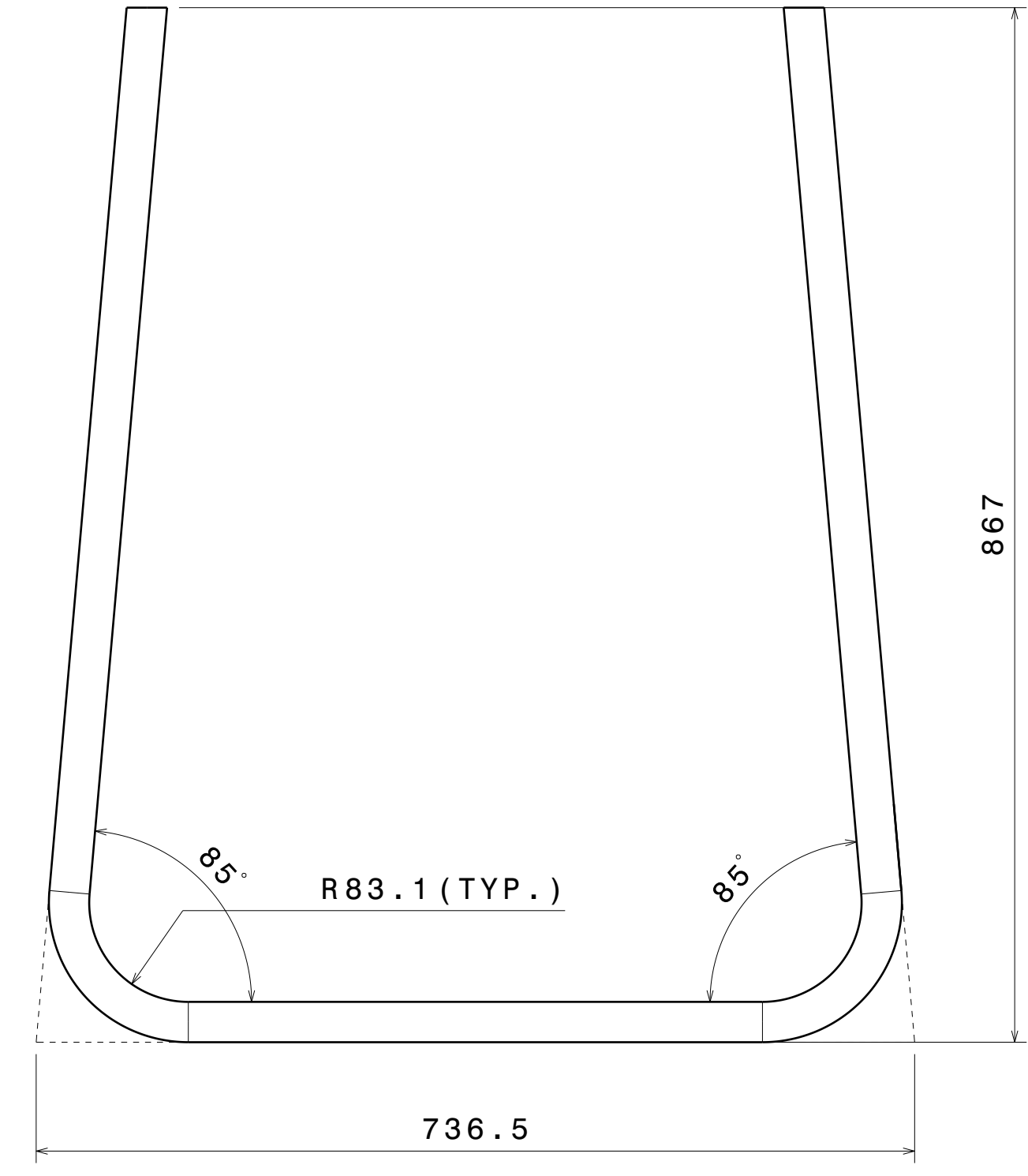
ITEM 7 DETAILS
round_tube School Bench 7 Frame 7



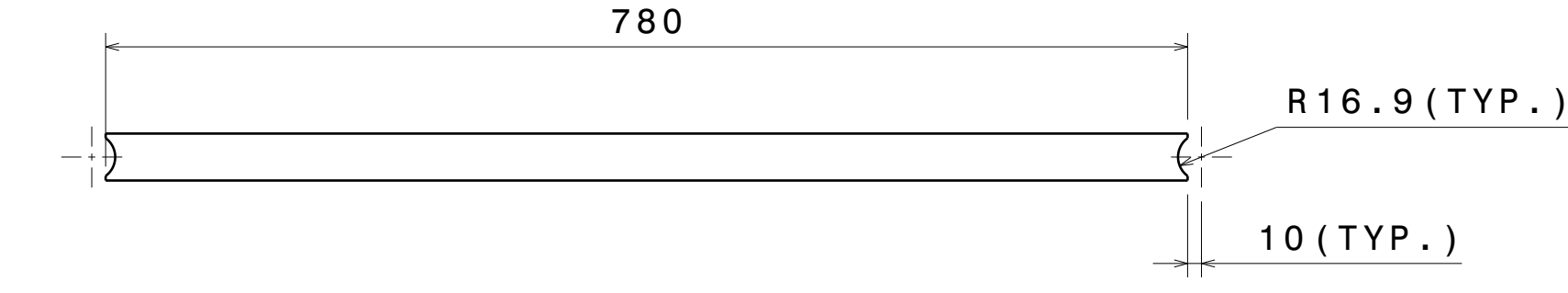
ITEM 10 DETAILS
round_tube School Bench 7 Frame 10



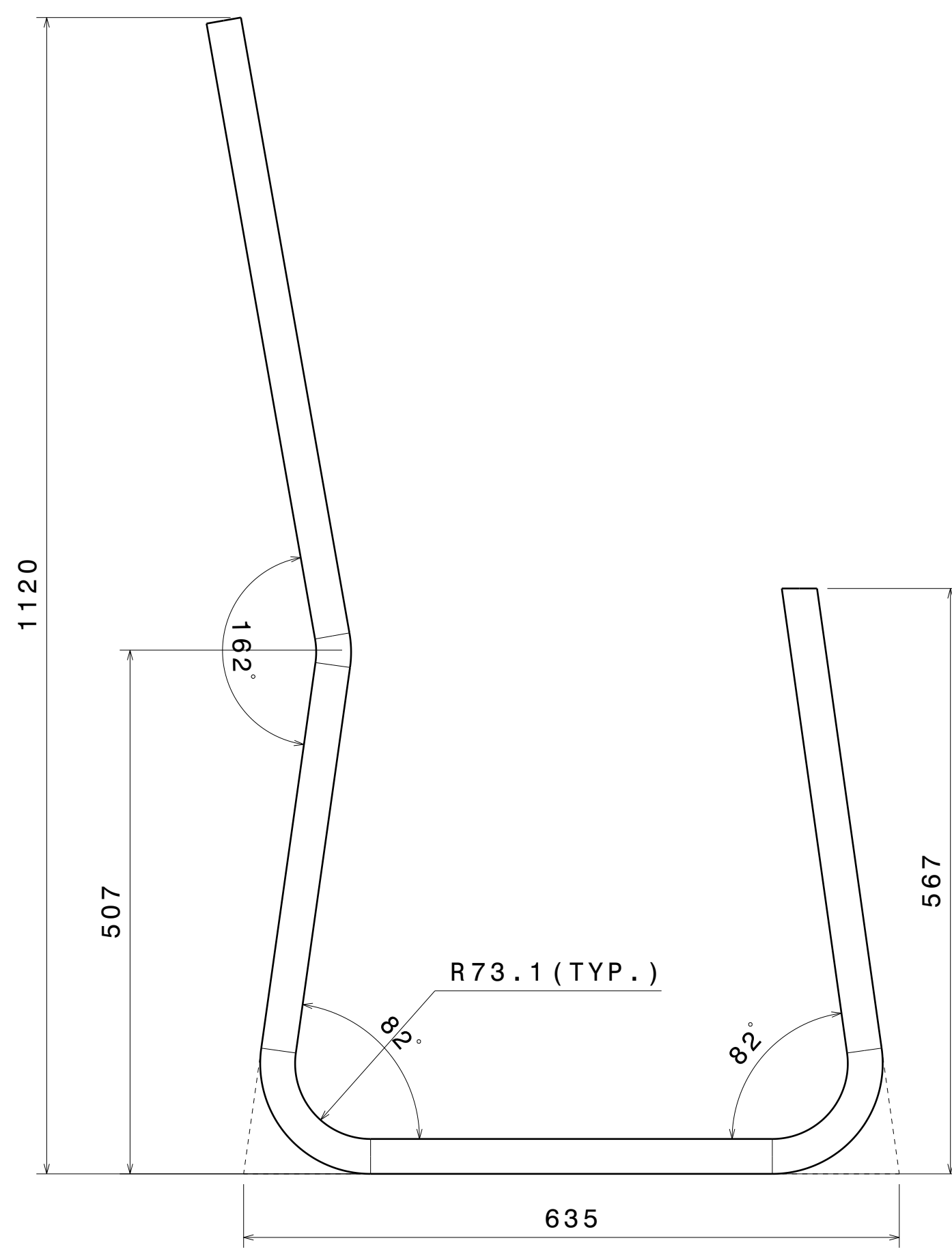
ITEM 2 DETAILS
round_tube School Bench 7 Frame 2



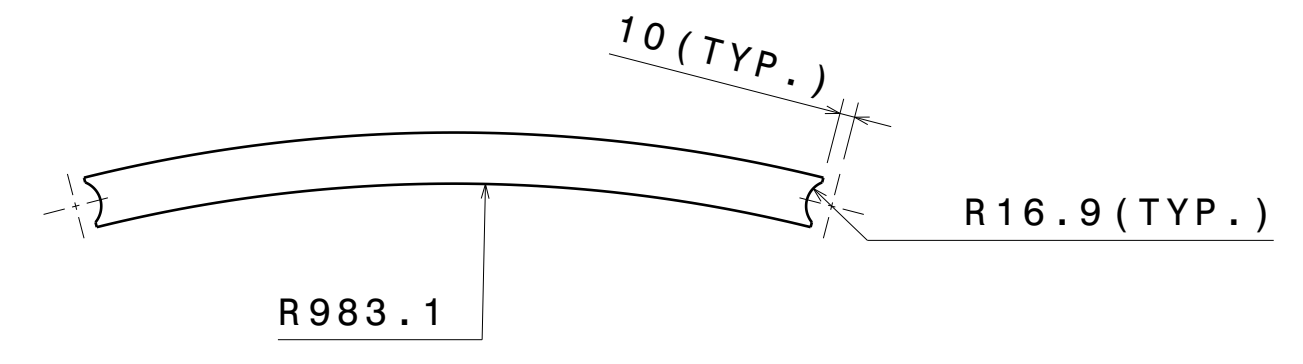
ITEM 6 DETAILS
round_tube School Bench 7 Frame 6



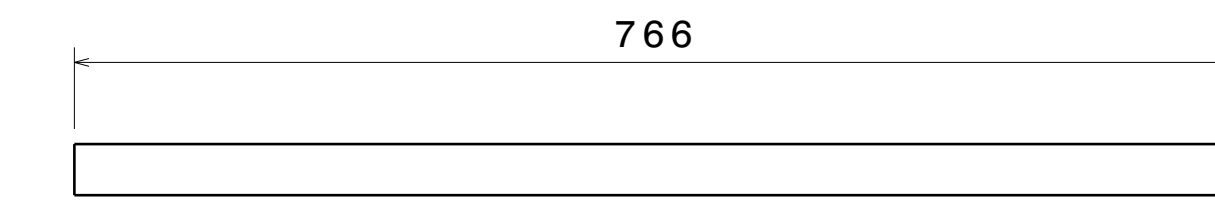
ITEM 9 DETAILS
round_tube School Bench 7 Frame 9



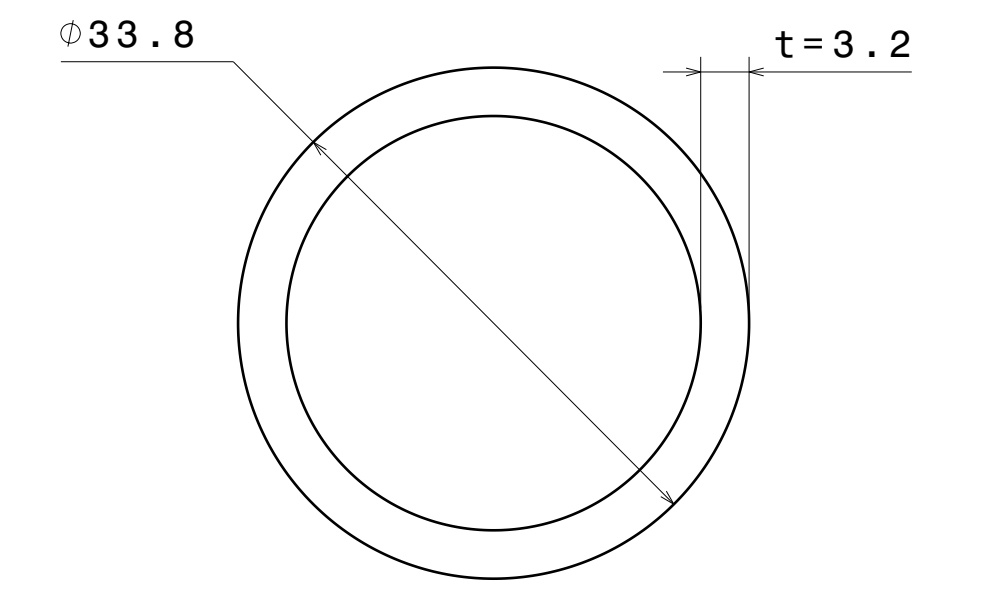
ITEM 1 DETAILS
round_tube School Bench 7 Frame 1



ITEM 5 DETAILS
round_tube School Bench 7 Frame 5

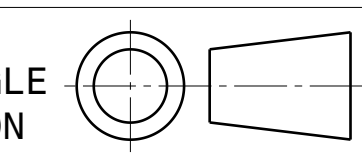


ITEM 8 DETAILS
round_tube School Bench 7 Frame 8



Section Detail of ITEM 1,2,3,4,5,6,7,8,9 & 10
Scale: 2:1

UNLESS OTHERWISE SPECIFIED DIMENSION ARE IN MM
VIEWS: THIRD ANGLE PROJECTION



DRAWN BY		DATE	
SB		20/05/2020	
CHECKED BY		DATE	
P2P Analysis & Solutions		20/05/2020	
DESIGNED BY		DATE	
P2P Analysis & Solutions		20/05/2020	

APL APOLLO TUBES LTD.			
DRAWING TITLE			
SCHOOL BENCH 7			
SIZE	DRAWING NUMBER	REV	
A0	P2P SCHOOL BENCH 7	00	
SCALE	NONE	WEIGHT (kg)	XXX
			SHEET 3 OF 5