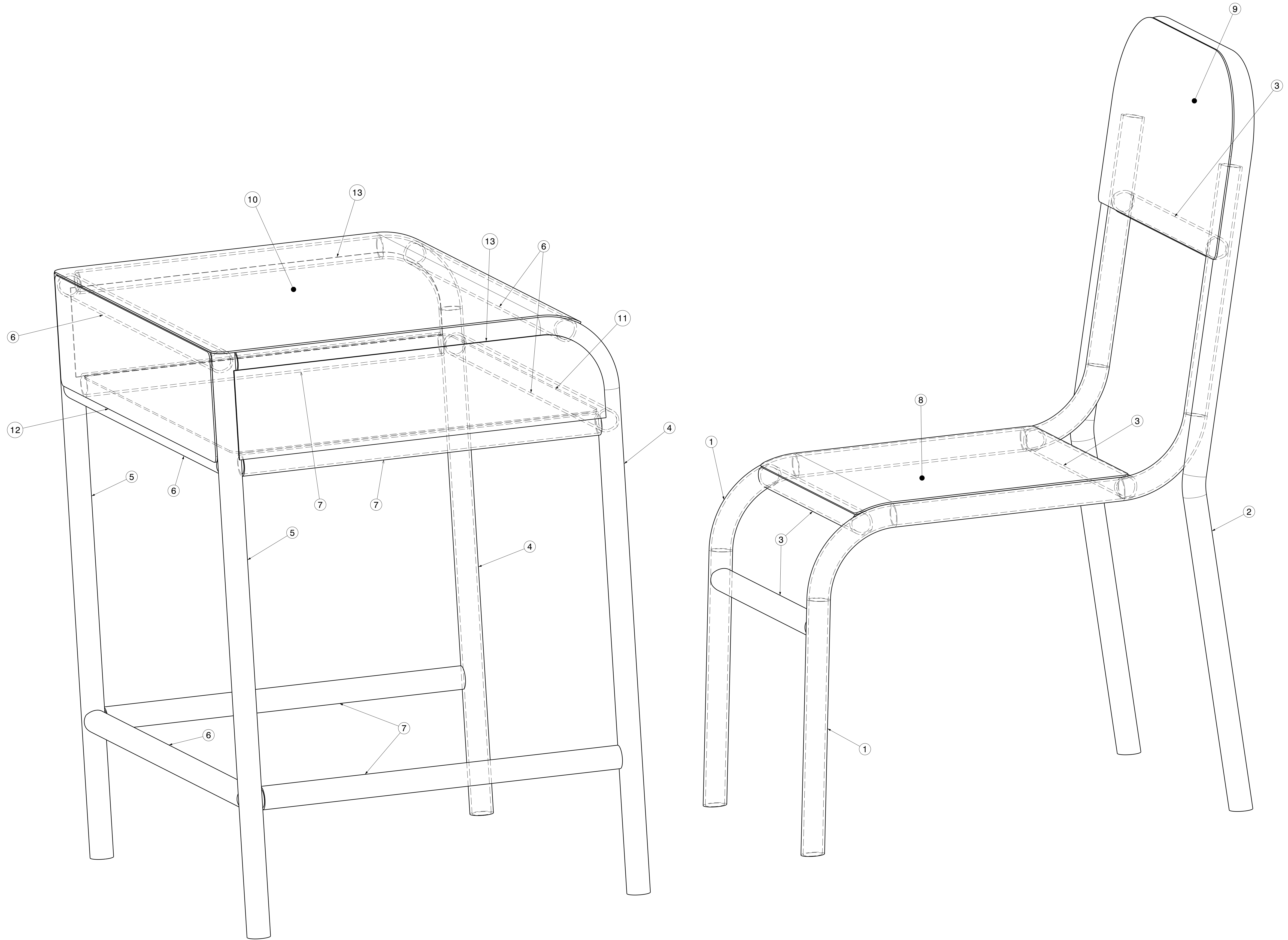


REV/DATE	DESCRIPTION
00 / 12/05/2020	INITIAL REVISION

NOTES:


1. (⊥) ALL VERTICAL SUPPORTS ARE PERPENDICULAR.
2. □ FLATNESS OF .5MM IS APPLIED BY DEFAULT.
3. ∇ WELD BEAD OF 2MM RADIUS IS FOLLOWED.
4. ∇∇ SURFACE FINISH MEDIUM TO SMOOTH IS USED.
5. ALL TUBES ARE AS PER APL APOLLO STANDARD. CHANGES MAY EFFECT THE LOAD CAPACITY.
6. ALL HORIZONTAL AND VERTICAL TUBES ARE PERPENDICULAR TO EACH OTHER WITH ±1 DEG.
7. FINE WELDING IS REQUIRED AS PER MENTIONED DETAILS AND FINISHING.
8. HIGHER CURRENT WELDING MAY AFFECT THE BRITTLINESS OF MATERIAL WHICH LATER MAY RAISE TO WEAKENING OF STRUCTURE.
9. FABRICATORS ARE ALLOWED TO USE FITTINGS/FRAMES/SUPPORTS AS NEEDED AND THE SAME MUST BE COMMUNICATED BACK TO ENGINEERING TEAM.
10. LENGTH OF ALL LONGITUDINAL FRAMES ARE FOR REFERENCE ONLY AND SUBJECTED TO CHANGE PER REQUIREMENT.



Isometric view
Scale: 2:5

ITEM NO.	PART NUMBER	DESCRIPTION	QTY.	Wt (kg)/Each
13	Plate 5-BOP	551 X 130, T=2.5	2	1.4
12	Plate 4-BOP	740 X 161, T=2.5	1	2.3
11	Plate 3-BOP	730 X 551, T=2.5	1	7.9
10	Plate 2-BOP	754 X 558, T=2.5	1	8.6
9	Plate 1-BOP	560 X 286, T=2.5	1	3
8	Plate-BOP	462 X 415, T=2.5	1	3.8
7	round_tube School Bench 5 Frame 7	33.8 X 3.2 X 538	4	1.3
6	round_tube School Bench 5 Frame 6	33.8 X 3.2 X 730	5	1.8
5	round_tube School Bench 5 Frame 5	33.8 X 3.2 X 853	2	2.1
4	round_tube School Bench 5 Frame 4	33.8 X 3.2 X 1350	2	3.3
3	round_tube School Bench 5 Frame 3	33.8 X 3.2 X 450	4	1.1
2	round_tube School Bench 5 Frame 2	33.8 X 3.2 X 2590	1	6.3
1	round_tube School Bench 5 Frame 1	33.8 X 3.2 X 1420	2	3.4

This drawing is our property. It can't be reproduced or communicated without our written agreement.

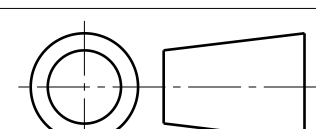
APL APOLLO TUBES LTD. 

DRAWING TITLE: **SCHOOL BENCH 5**

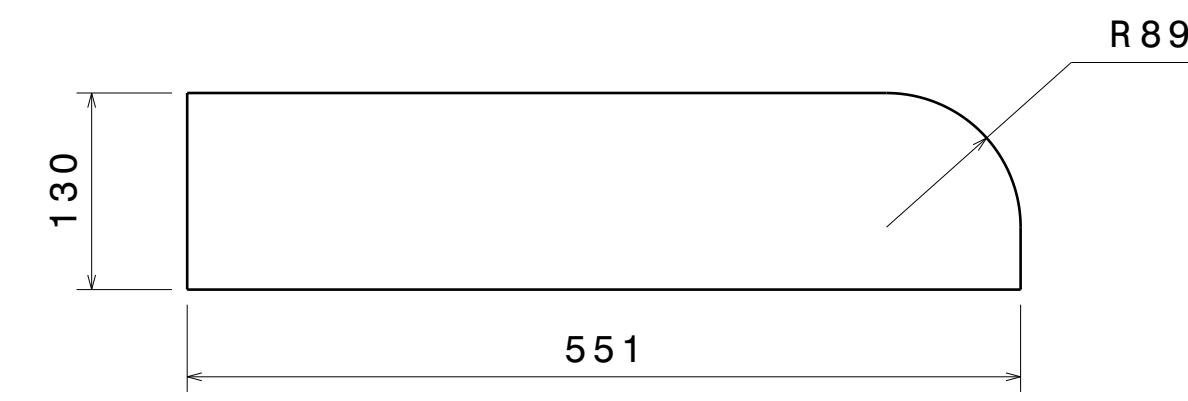
DRAWN BY: SB	DATE: 12/05/2020	CHECKED BY: P2P Analysis & Solutions	DATE: 12/05/2020	DESIGNED BY: P2P Analysis & Solutions	DATE: 12/05/2020
--------------	------------------	--------------------------------------	------------------	---------------------------------------	------------------

SIZE: A0	DRAWING NUMBER: P2P SCHOOL BENCH 5	REV: 00
SCALE: As Indicated	WEIGHT (kg): 0kg	SHEET 1 OF 5

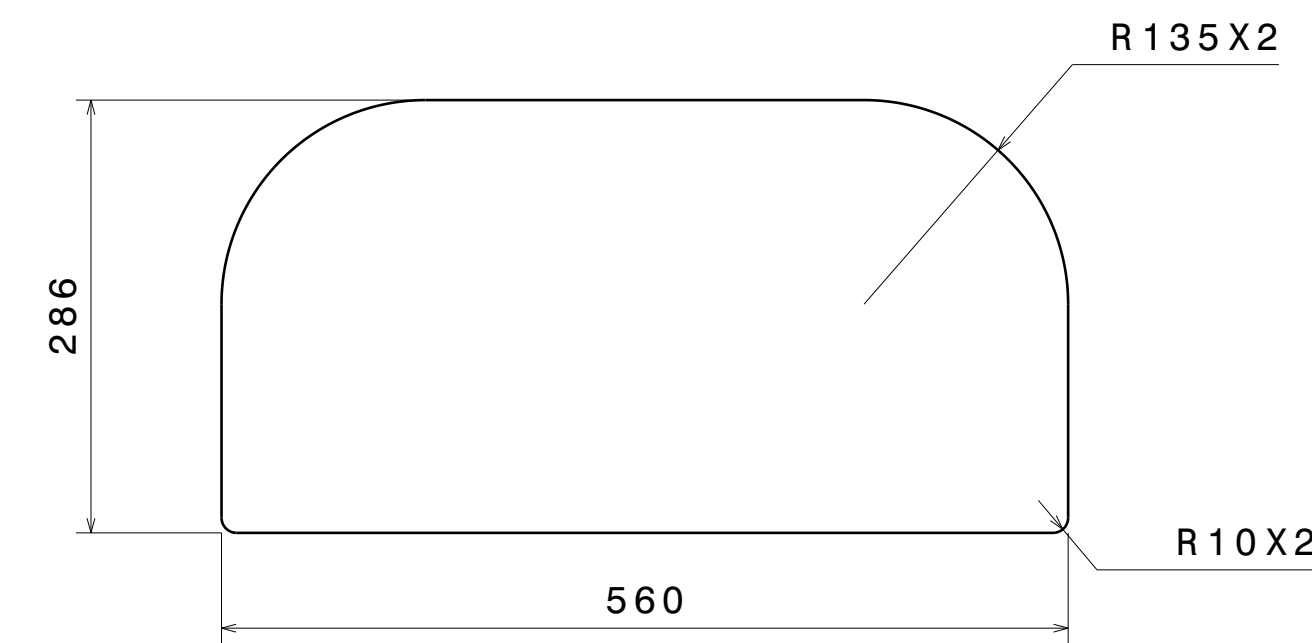
UNLESS OTHERWISE SPECIFIED DIMENSION ARE IN MM
VIEWS: THIRD ANGLE PROJECTION



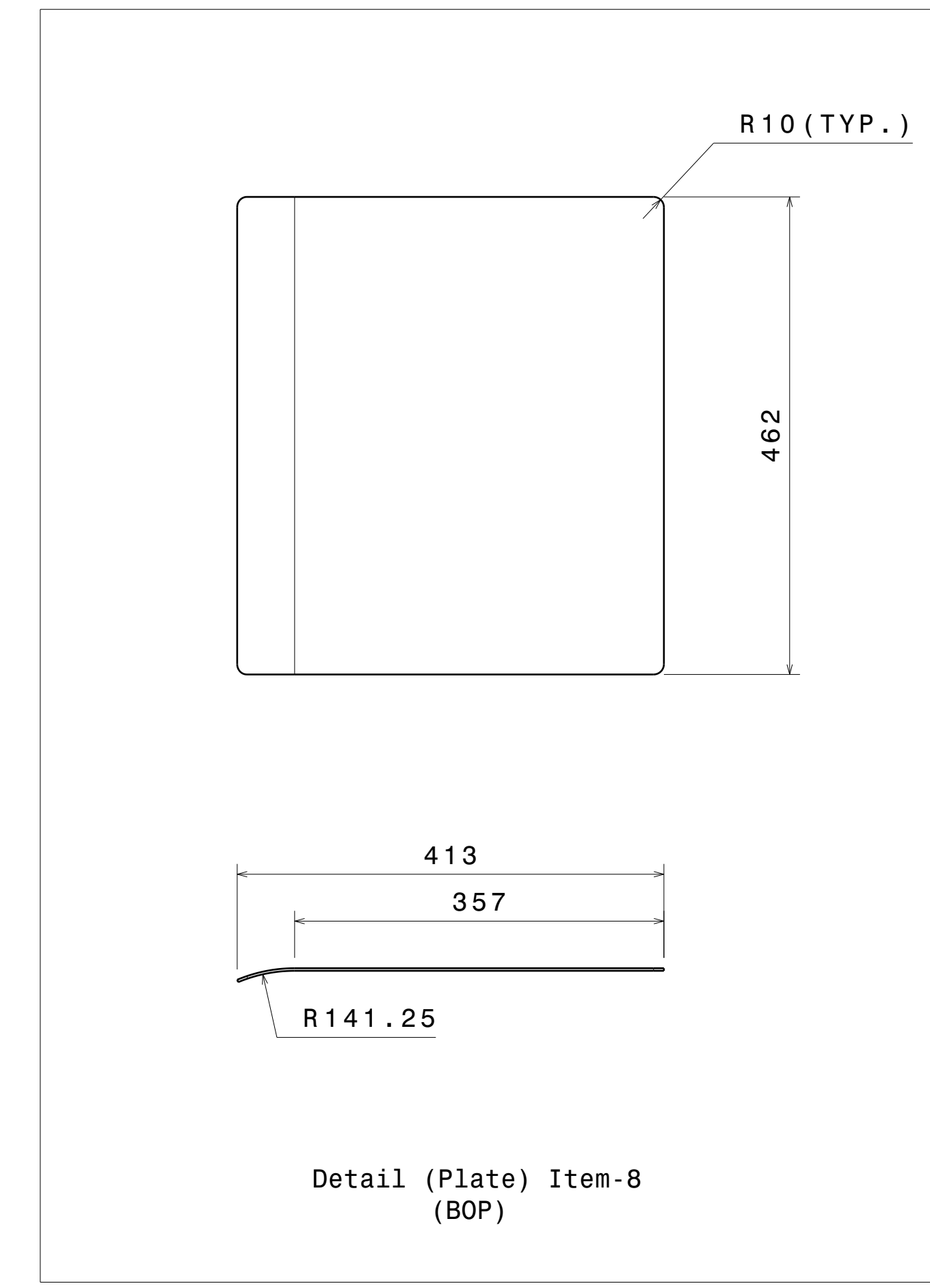
REV	DATE	DESCRIPTION
00	12/05/2020	INITIAL REVISION



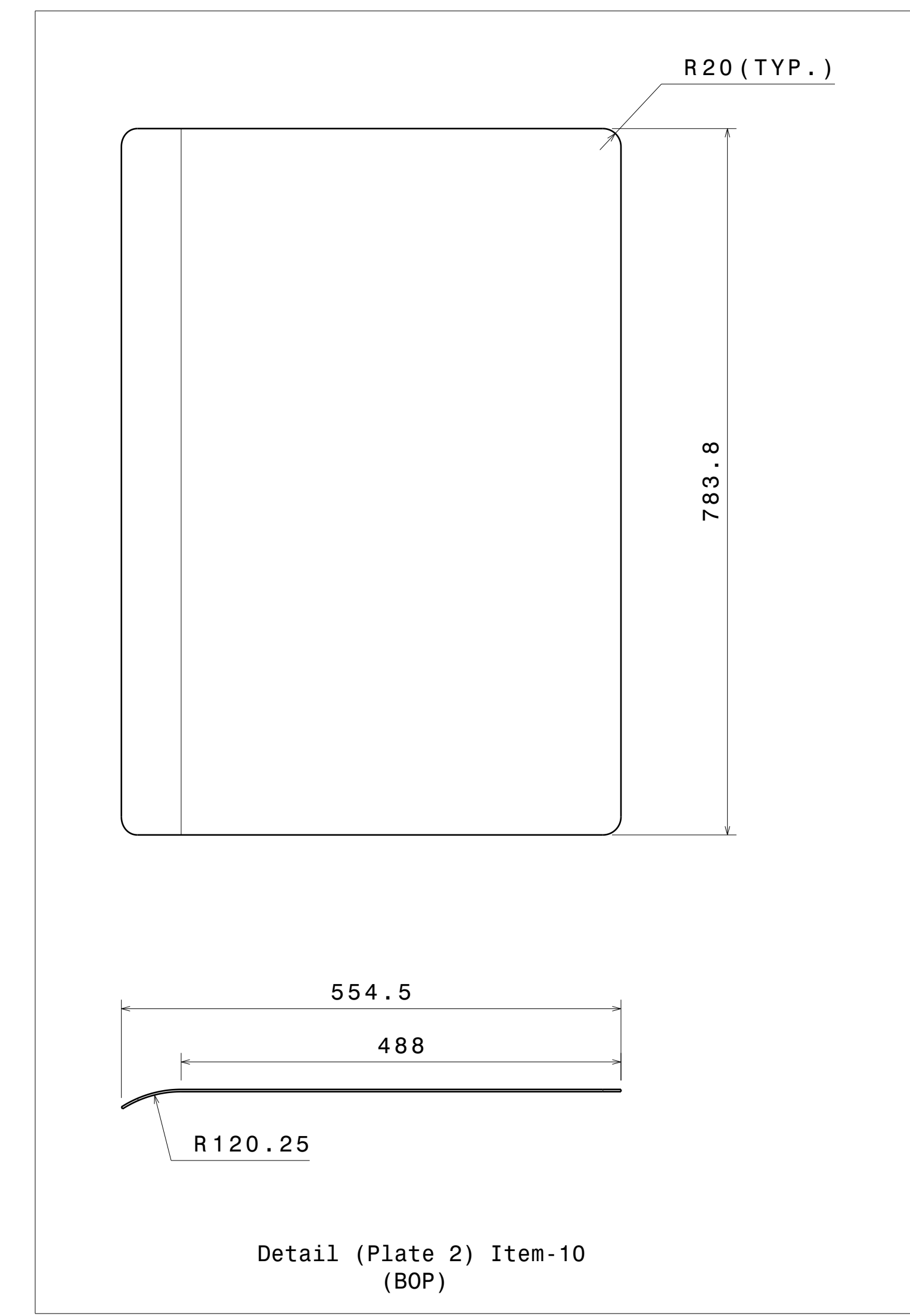
Detail (Plate 5) Item-13
(BOP)



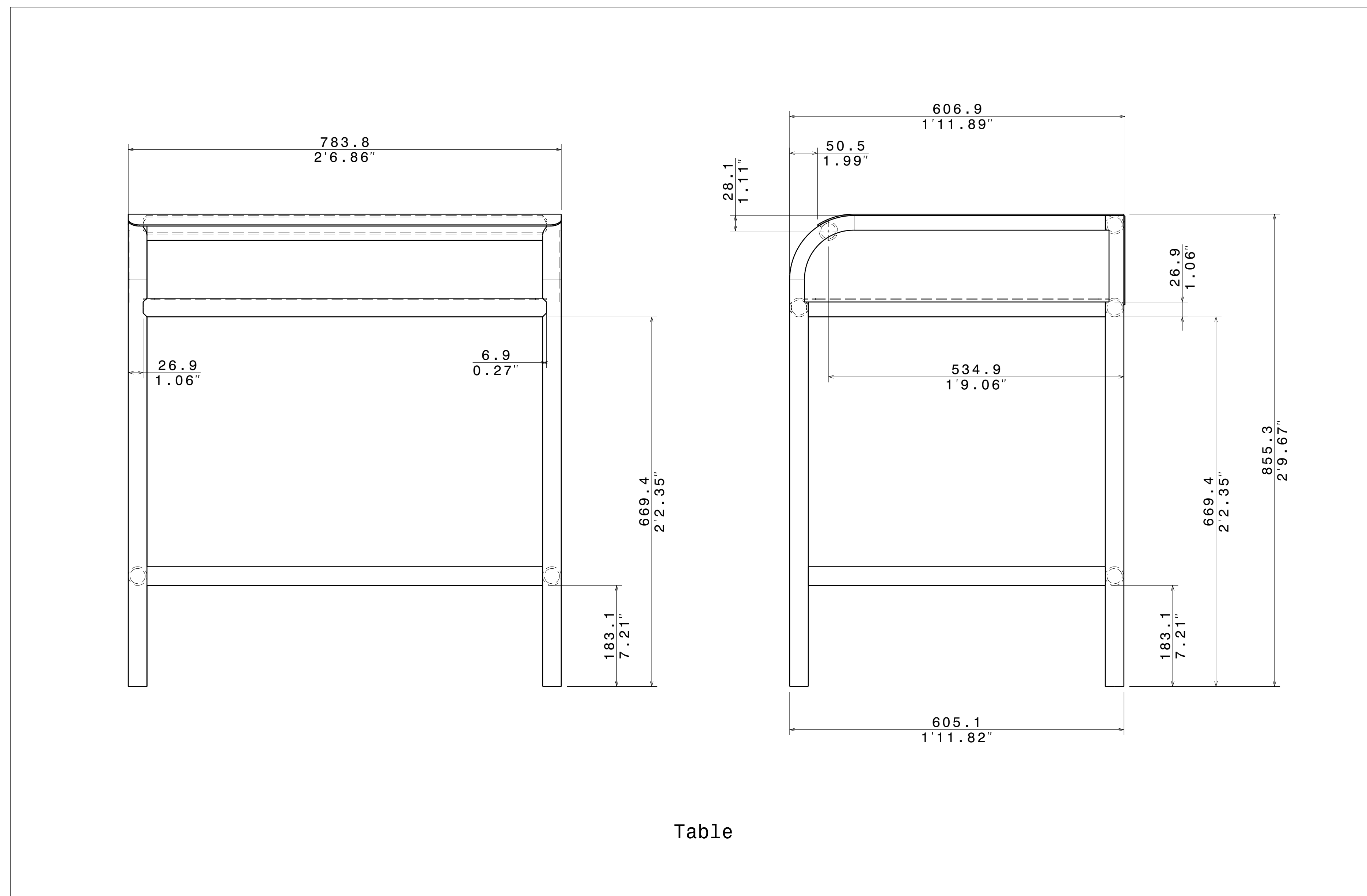
Detail (Plate 1) Item-9
(BOP)



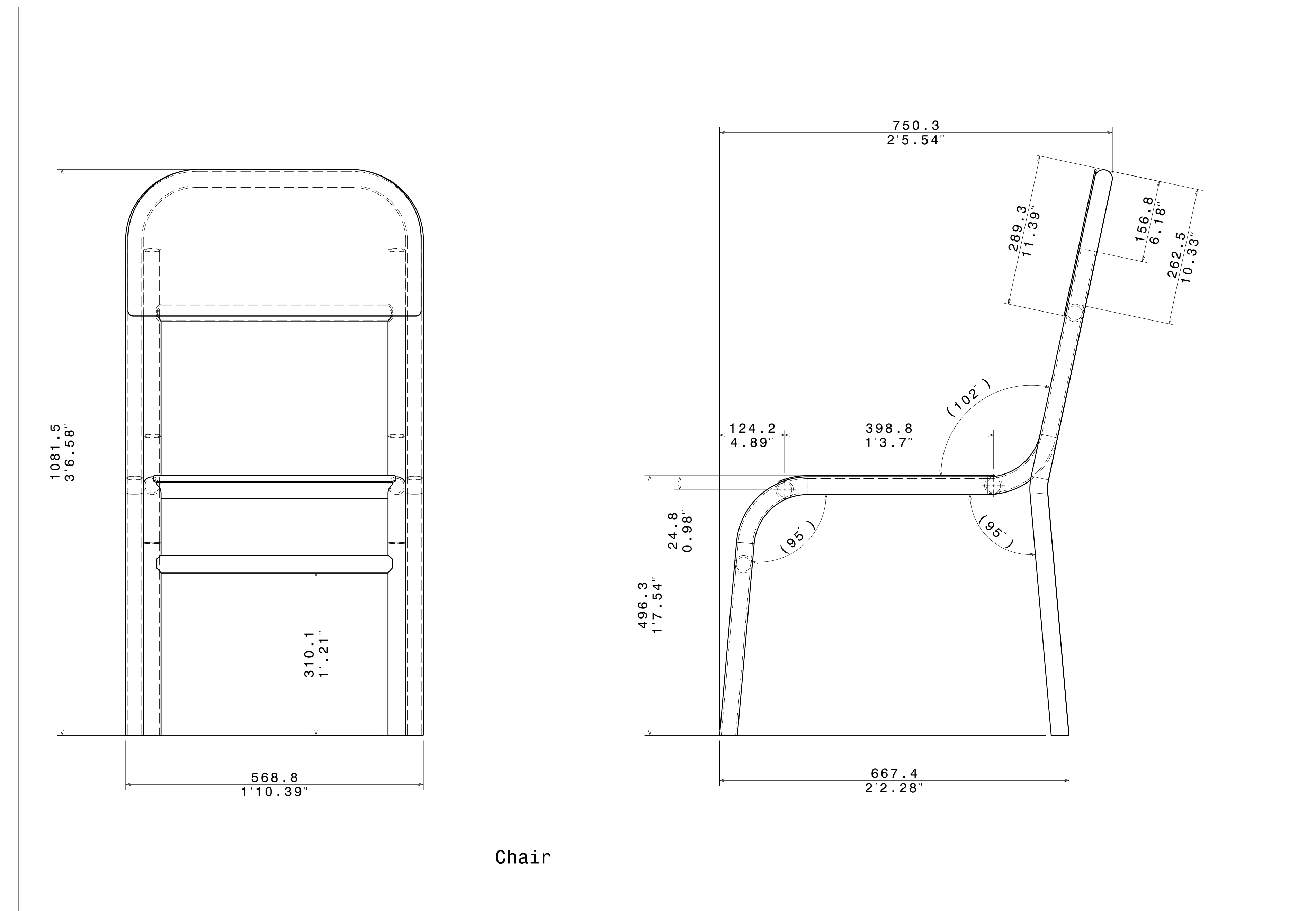
Detail (Plate) Item-8
(BOP)



Detail (Plate 2) Item-10
(BOP)

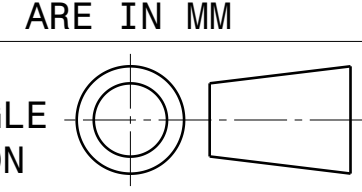


Table



Chair

UNLESS OTHERWISE SPECIFIED DIMENSION ARE IN MM VIEWS: THIRD ANGLE PROJECTION

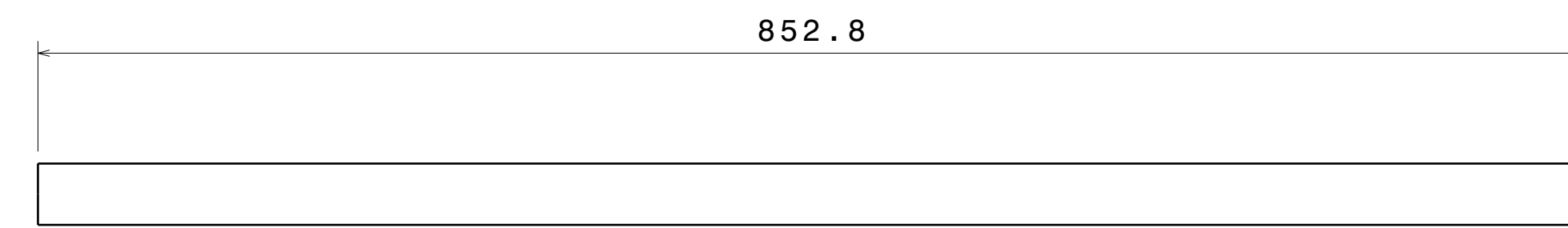


This drawing is our property. It can't be reproduced or communicated without our written agreement.

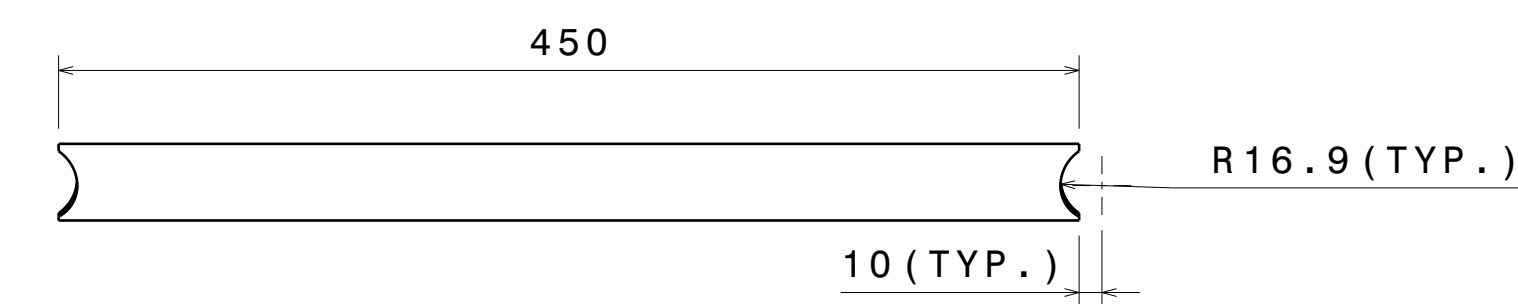
DRAWN BY	DATE
SB	12/05/2020
CHECKED BY	DATE
P2P Analysis & Solutions	12/05/2020
DESIGNED BY	DATE
P2P Analysis & Solutions	12/05/2020

APL APOLLO TUBES LTD.	
DRAWING TITLE	
SCHOOL BENCH 5	
SIZE	DRAWING NUMBER
A0	P2P SCHOOL BENCH 5
SCALE	WEIGHT (kg)
NONE	XXX
SHEET 2 OF 5	

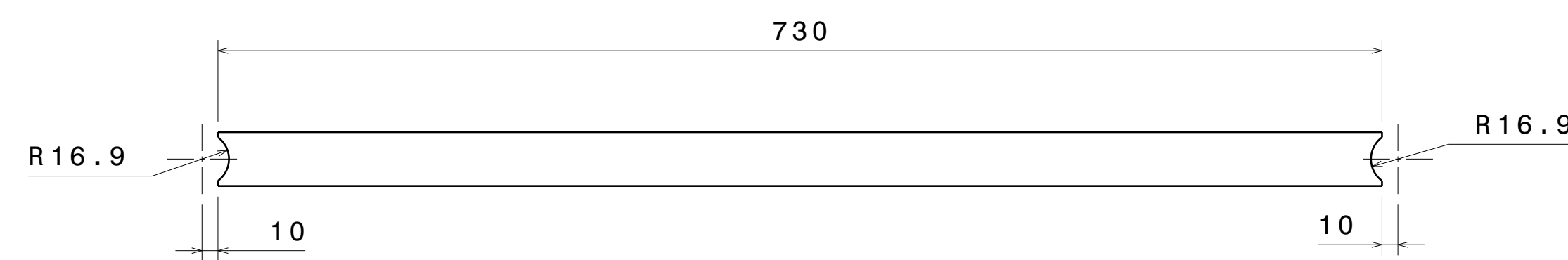
REV	DATE	DESCRIPTION
00	12/05/2020	INITIAL REVISION



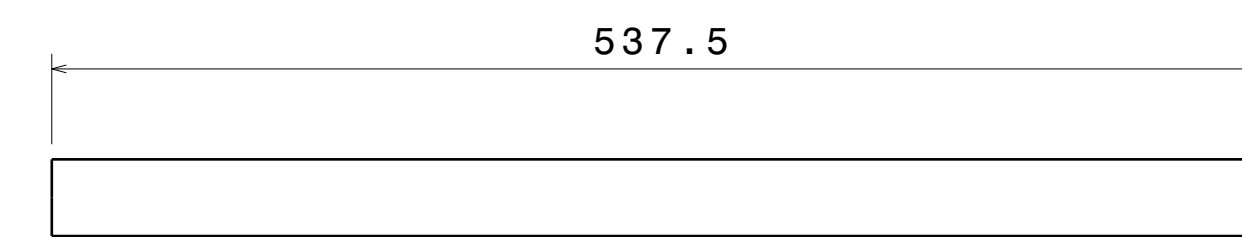
ITEM 5 DETAILS
round_tube School Bench 5 Frame 5



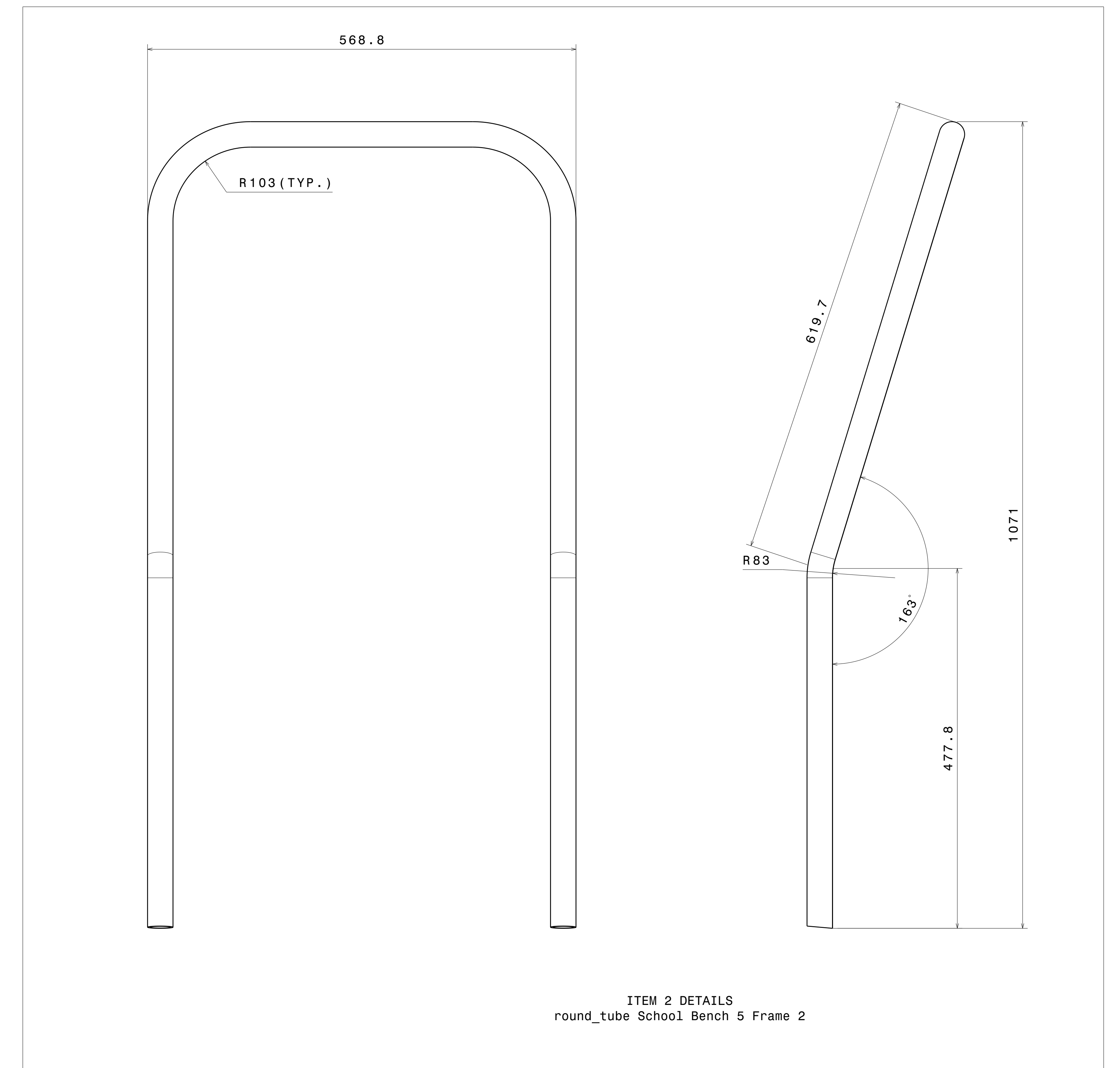
ITEM 3 DETAILS
round_tube School Bench 5 Frame 3



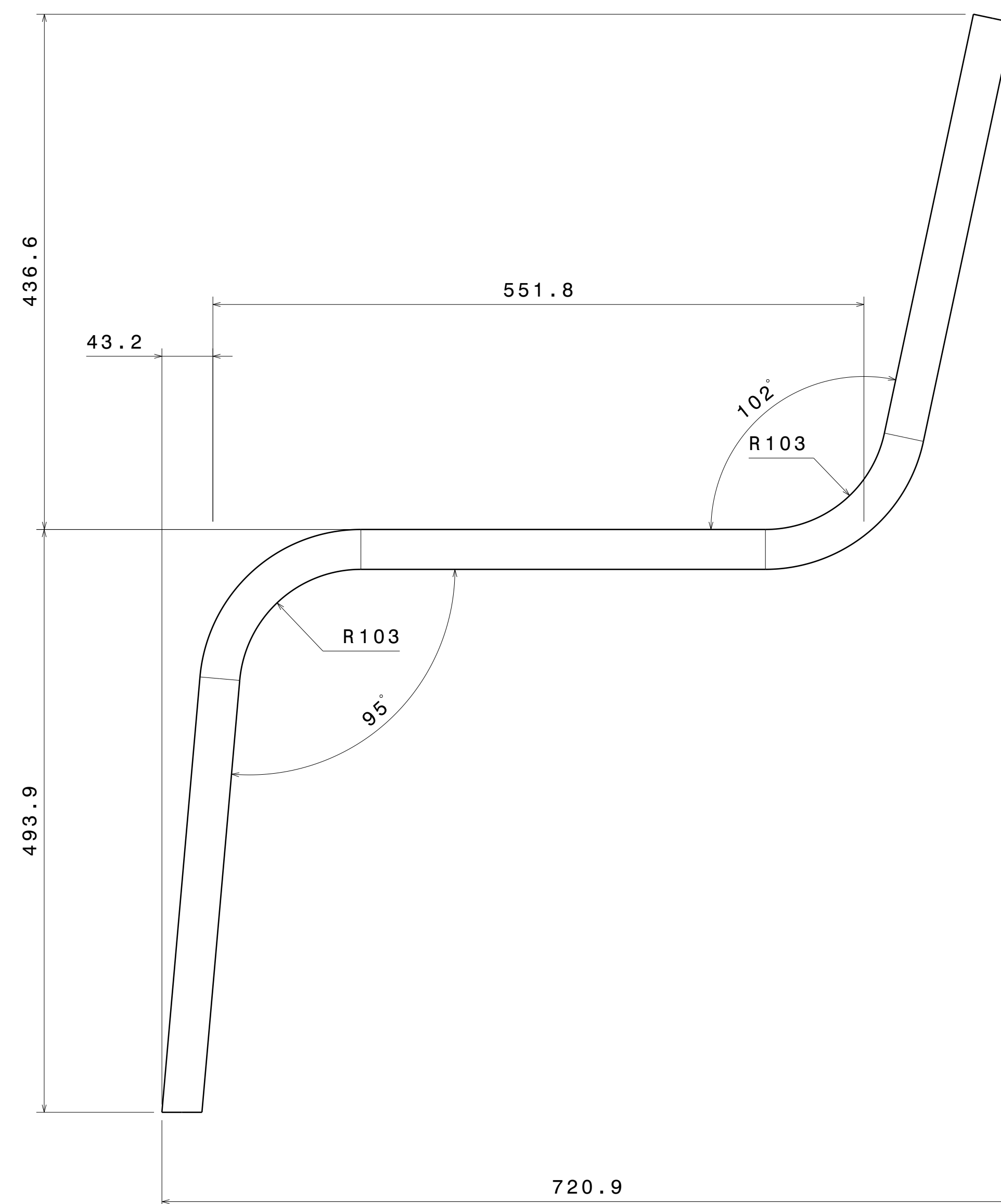
ITEM 6 DETAILS
round_tube School Bench 5 Frame 6



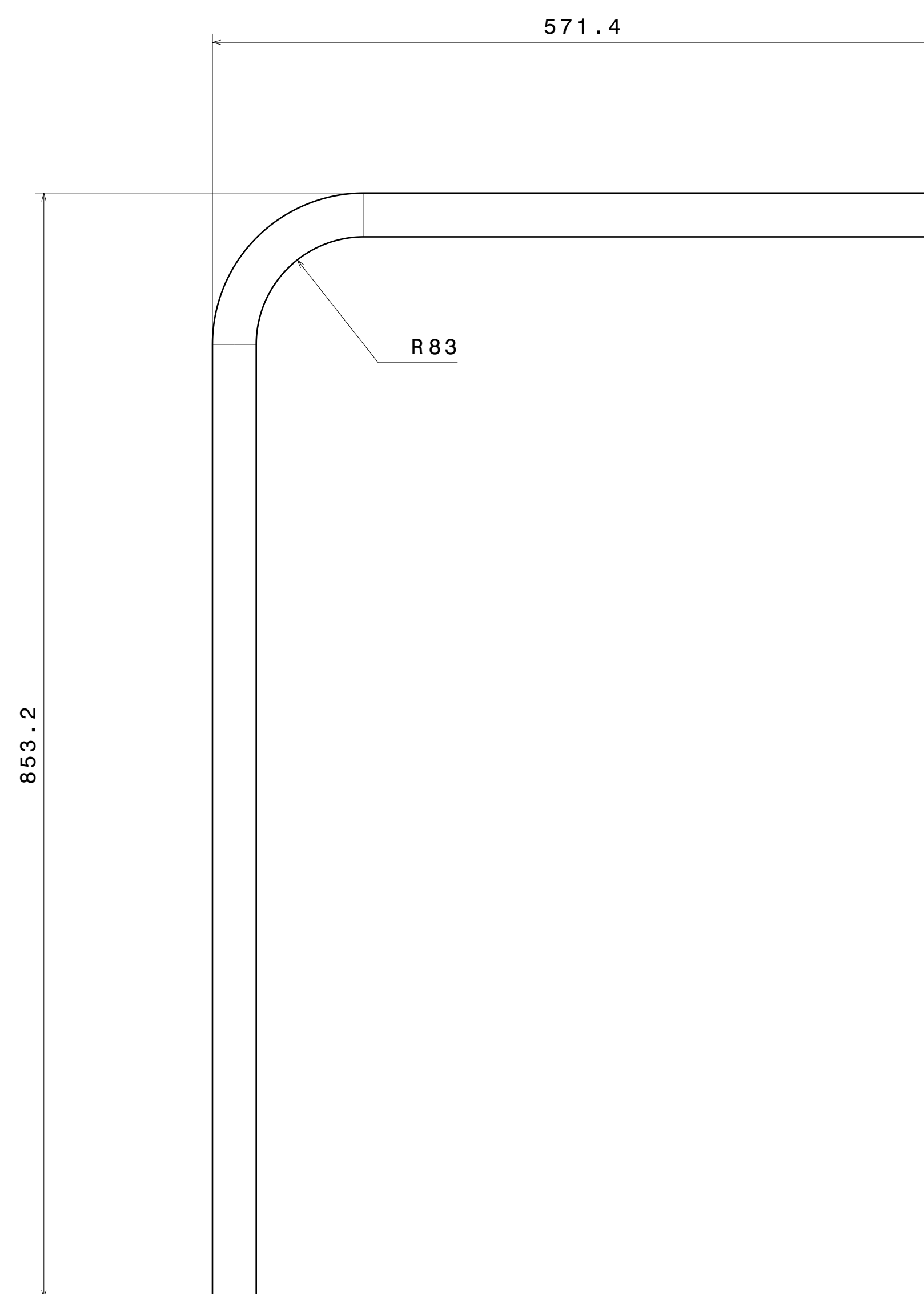
ITEM 7 DETAILS
round_tube School Bench 5 Frame 7



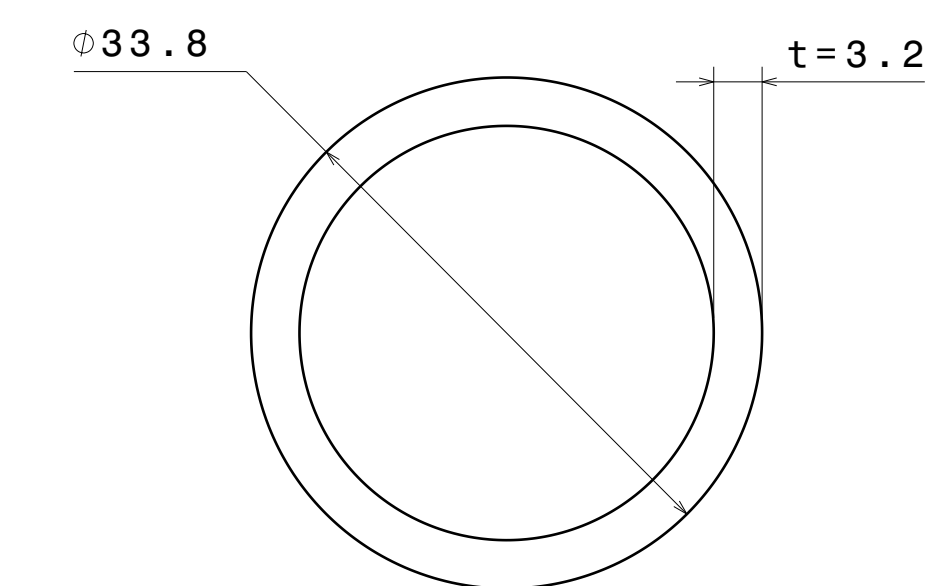
ITEM 2 DETAILS
round_tube School Bench 5 Frame 2



ITEM 1 DETAILS
round_tube School Bench 5 Frame 1

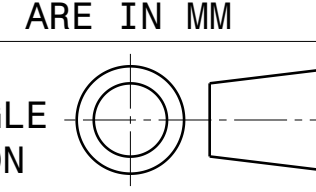



ITEM 4 DETAILS
round_tube School Bench 5 Frame 4



Section Detail of ITEM 1,2,3,4,5,6 & 7
Scale: 2:1

UNLESS OTHERWISE SPECIFIED DIMENSION ARE IN MM
VIEWS: THIRD ANGLE PROJECTION



This drawing is our property. It can't be reproduced or communicated without our written agreement.		APL APOLLO TUBES LTD. 	
DRAWN BY	DATE	DRAWING TITLE	
SB	12/05/2020	SCHOOL BENCH 5	
CHECKED BY	DATE	SIZE	DRAWING NUMBER
P2P Analysis & Solutions	12/05/2020	A0	P2P SCHOOL BENCH 5
DESIGNED BY	DATE	SCALE	WEIGHT (kg)
P2P Analysis & Solutions	12/05/2020	NONE	XXX
		SHEET 3 OF 5	