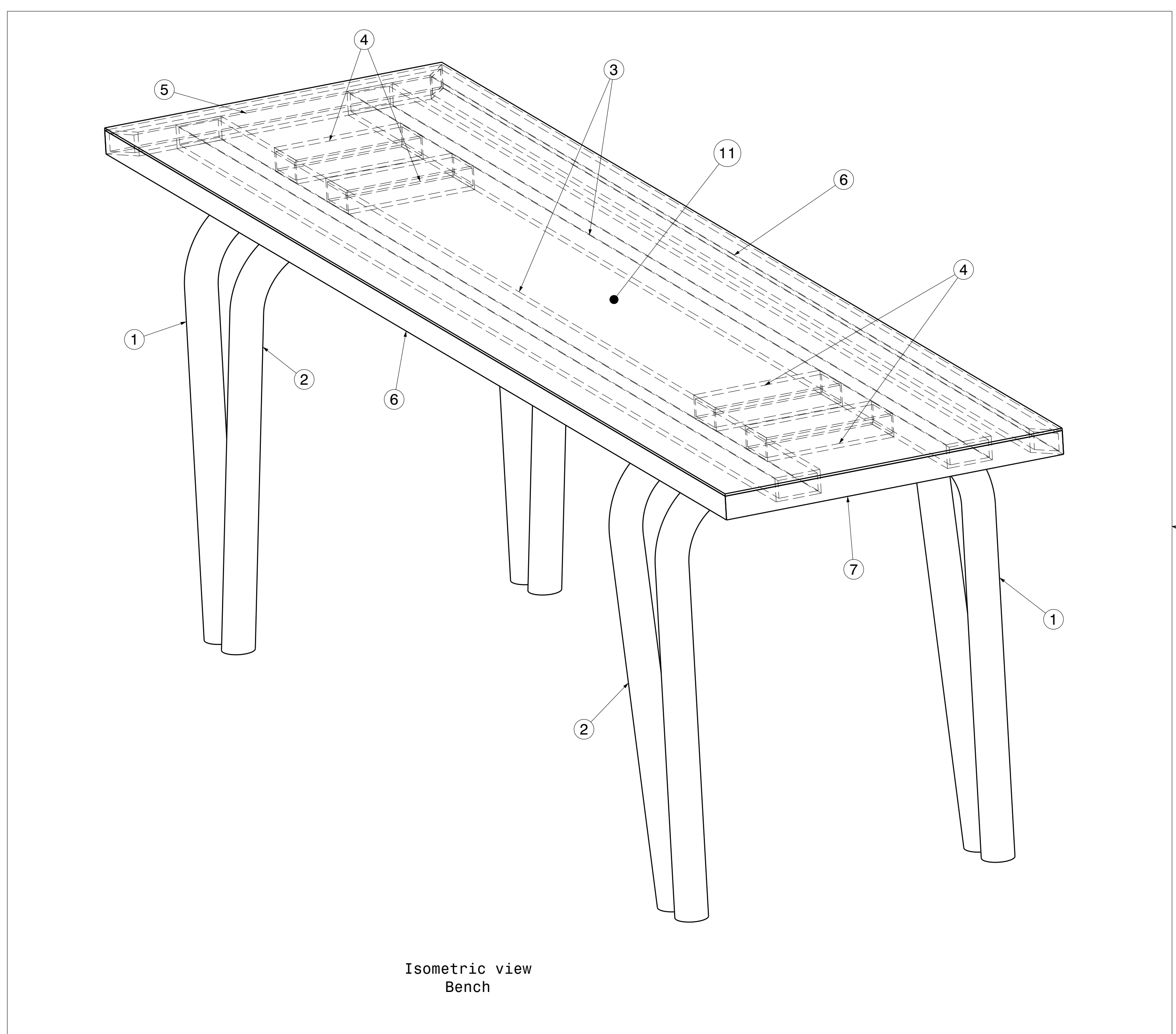


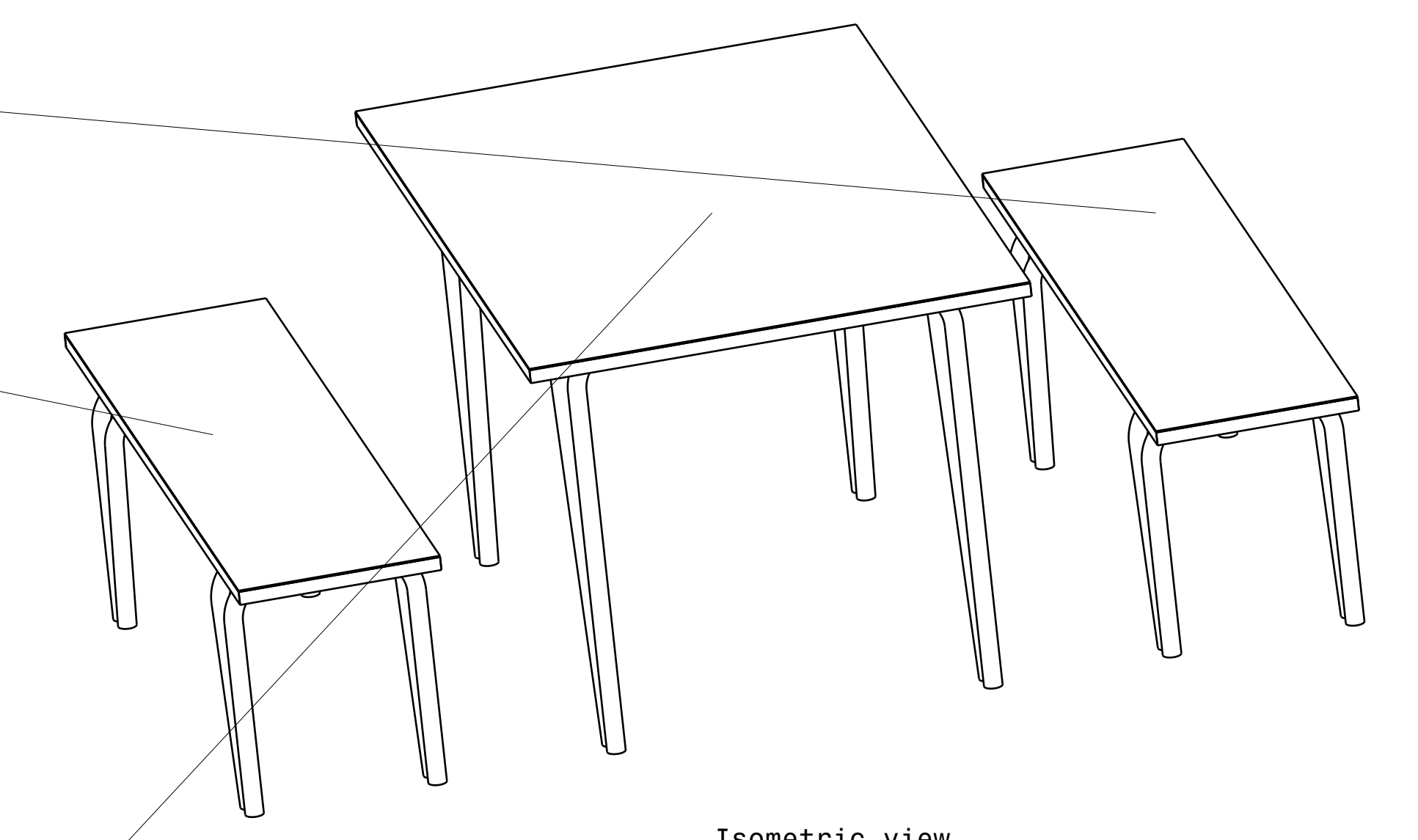
REV/DATE	DESCRIPTION
00 / 20/05/2020	INITIAL REVISION

NOTES:

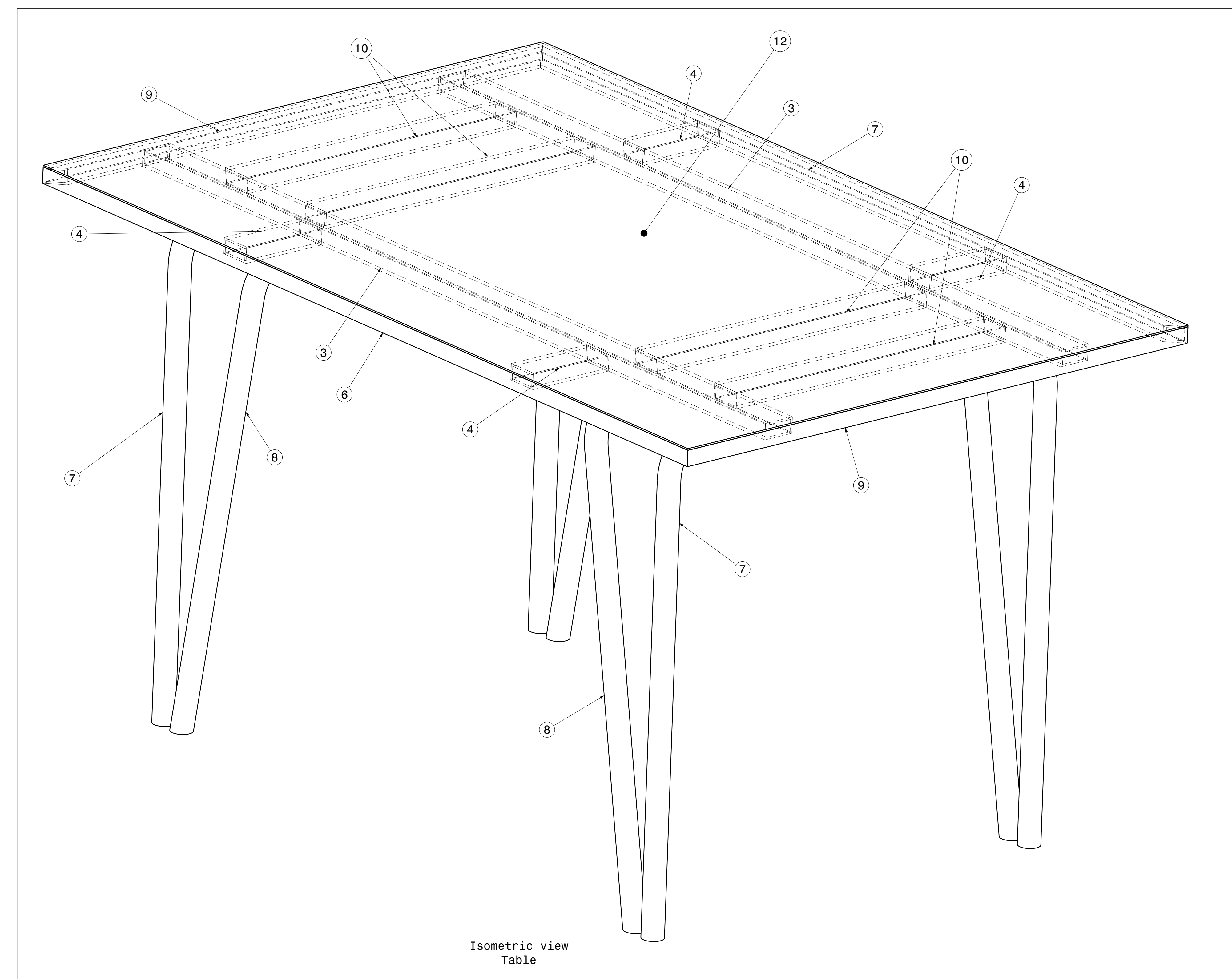
1. (⊥) ALL VERTICAL SUPPORTS ARE PERPENDICULAR.
2. □ FLATNESS OF .5MM IS APPLIED BY DEFAULT.
3. ∇ WELD BEAD OF 2MM RADIUS IS FOLLOWED.
4. ∇∇ SURFACE FINISH MEDIUM TO SMOOTH IS USED.
5. ALL TUBES ARE AS PER APL APOLLO STANDARD. CHANGES MAY EFFECT THE LOAD CAPACITY.
6. ALL HORIZONTAL AND VERTICAL TUBES ARE PERPENDICULAR TO EACH OTHER WITH ±1 DEG.
7. FINE WELDING IS REQUIRED AS PER MENTIONED DETAILS AND FINISHING.
8. HIGHER CURRENT WELDING MAY AFFECT THE BRITTLENESS OF MATERIAL WHICH LATER MAY RAISE TO WEAKENING OF STRUCTURE.
9. FABRICATORS ARE ALLOWED TO USE FITTINGS/FRAMES/SUPPORTS AS NEEDED AND THE SAME MUST BE COMMUNICATED BACK TO ENGINEERING TEAM.
10. LENGTH OF ALL LONGITUDINAL FRAMES ARE FOR REFERENCE ONLY AND SUBJECTED TO CHANGE PER REQUIREMENT.



Isometric view
Bench




Isometric view

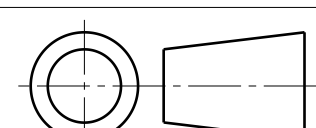


Isometric view
Table

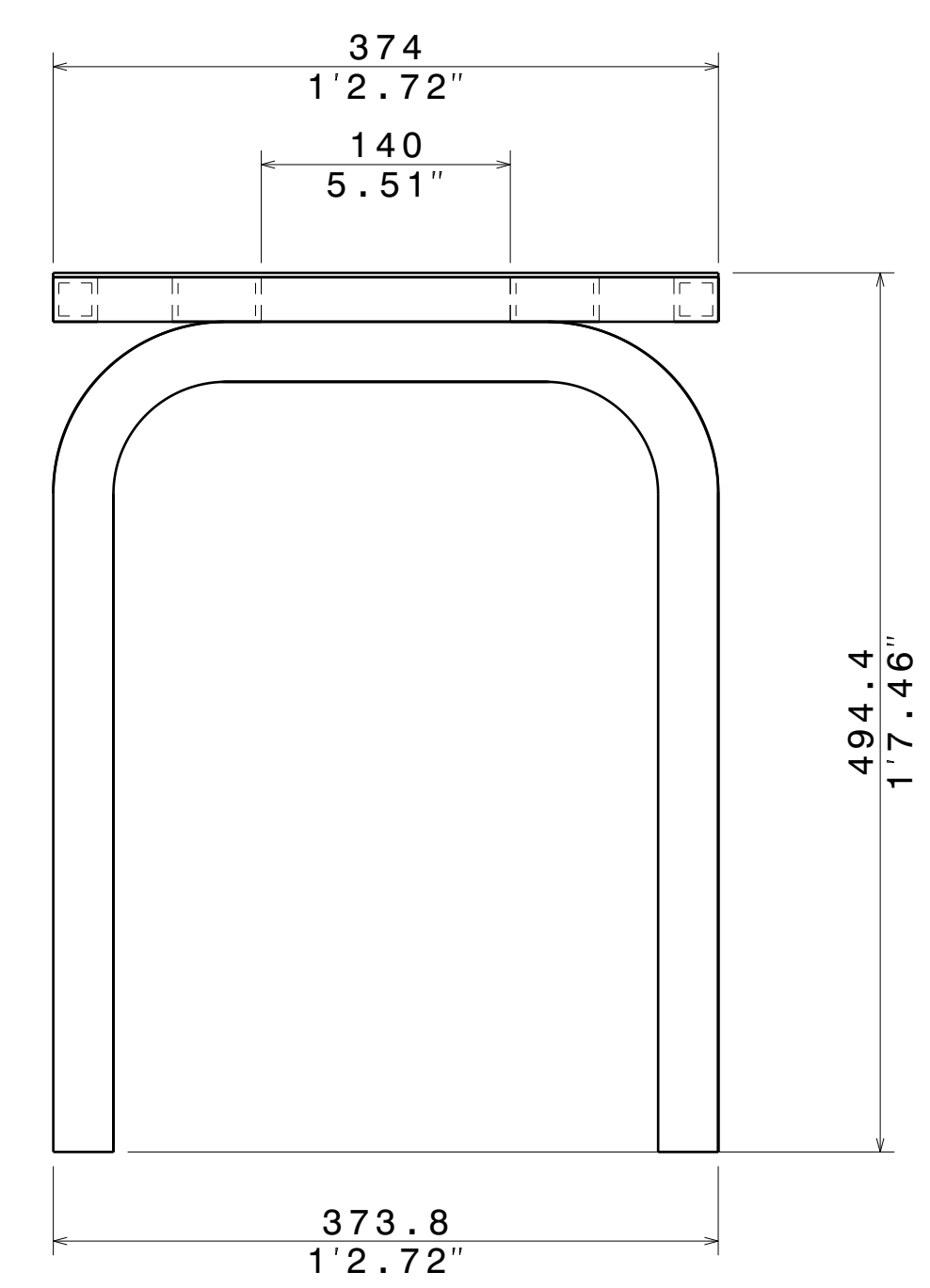
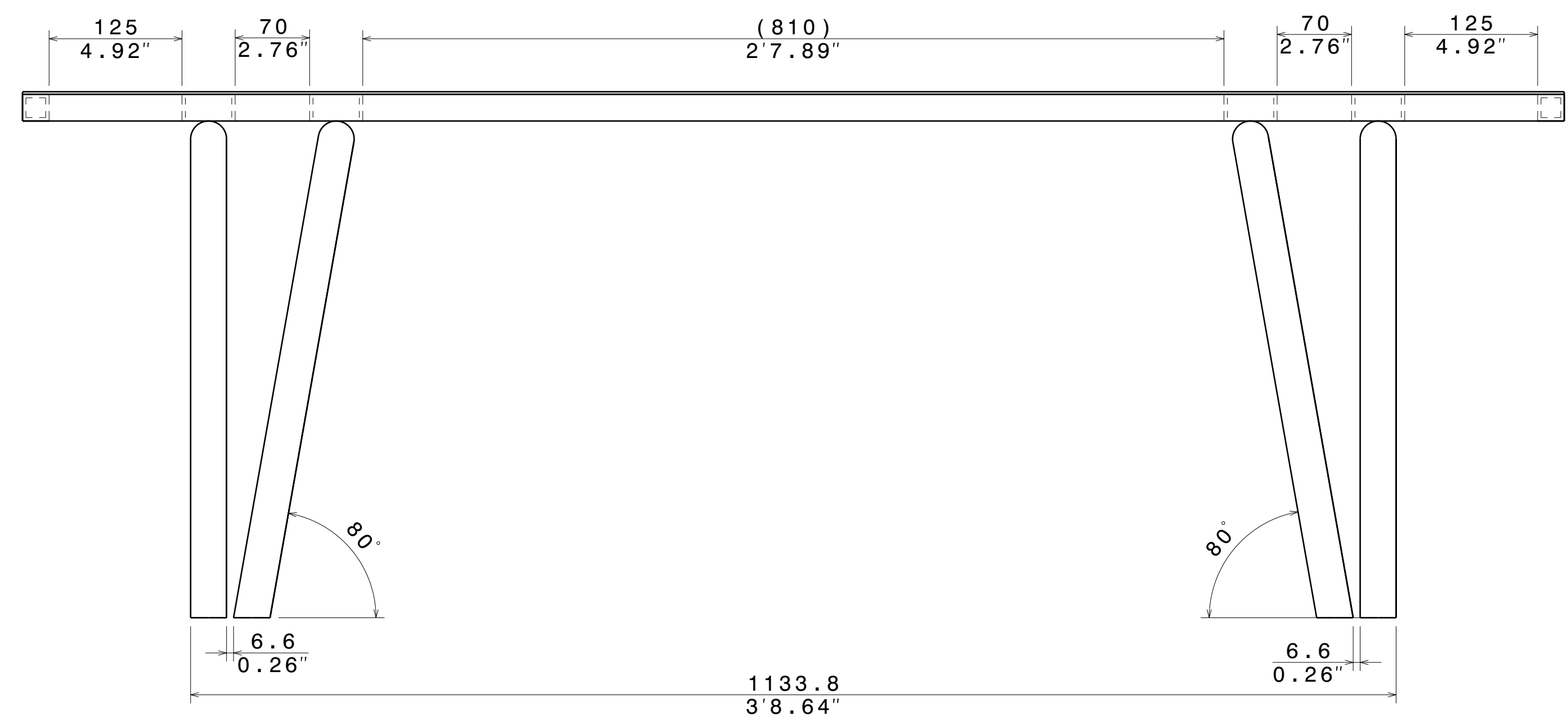
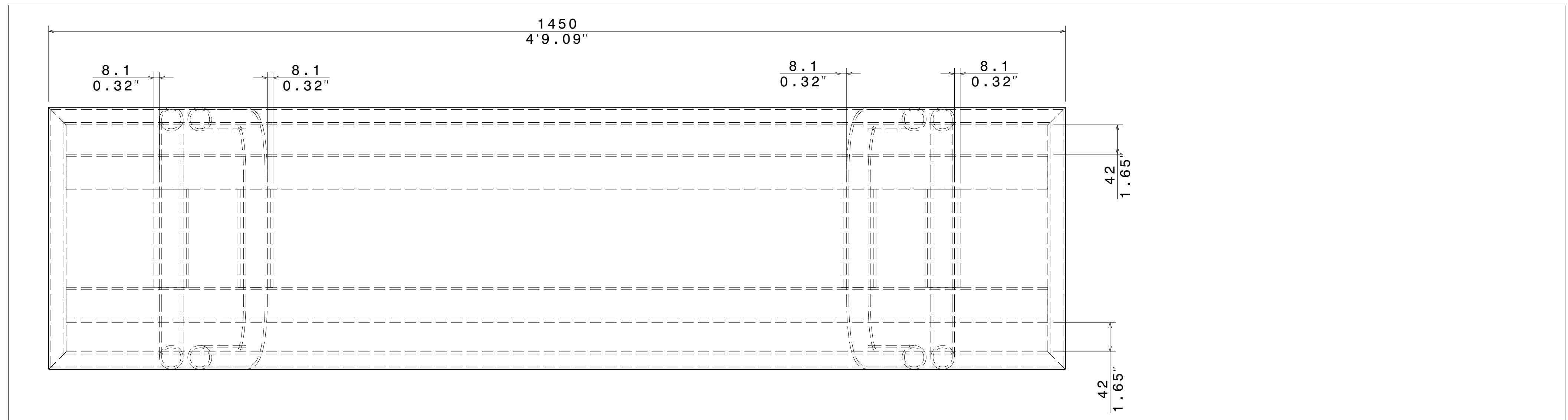
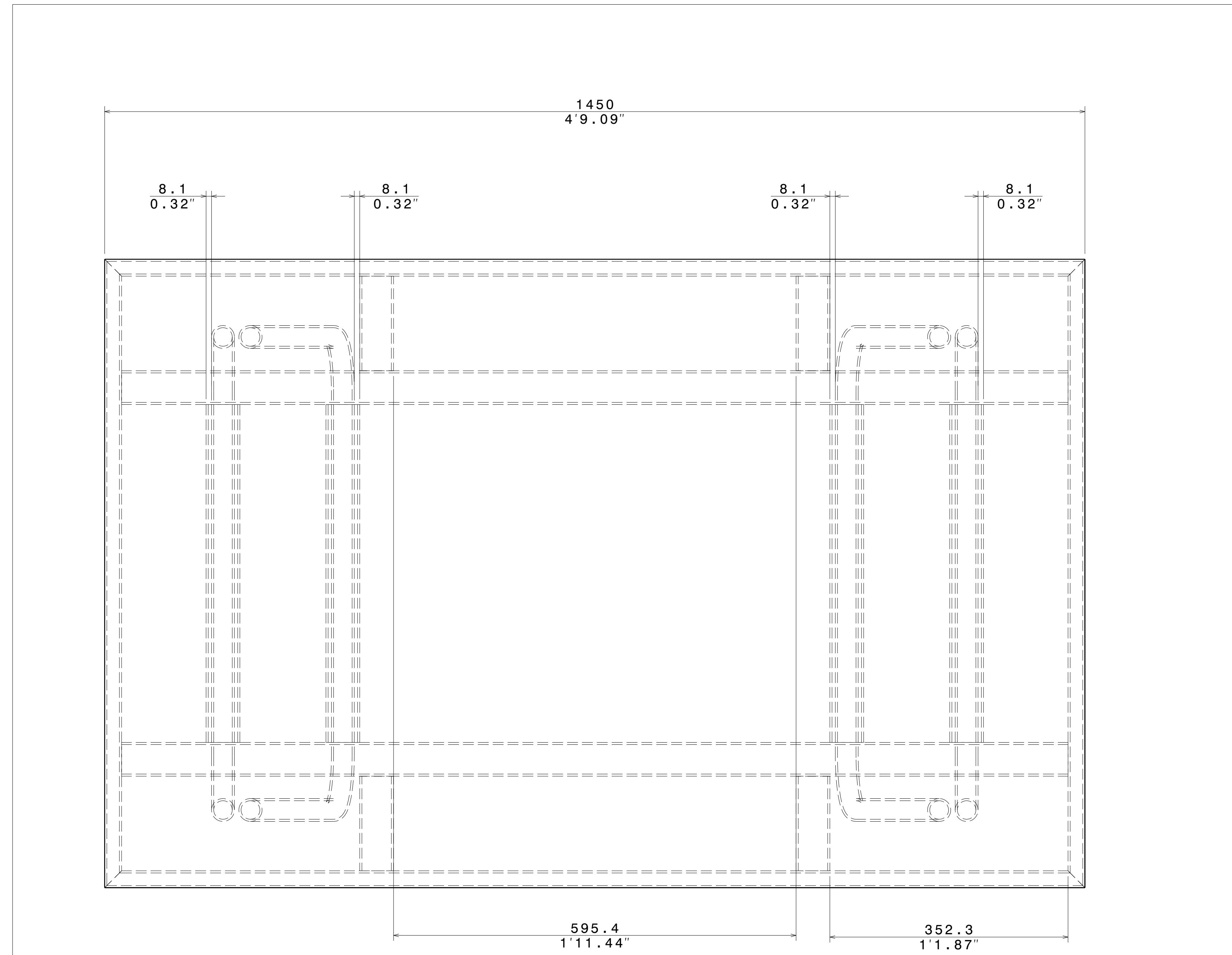
ITEM NO.	PART NUMBER	DESCRIPTION	QTY.	Wt (kg)/Each
12	Plate 1-BOP	1450 X 930 , T=2.5	1	26.5
11	Plate-BOP	1450 X 374 , T=2.5	2	10.7
10	Rect Tube School Bench 4 Frame 10	50 X 25 X 3.2 X 500	4	1.7
9	Sq Tube School Bench 4 Frame 9	25 X 25 X 3.2 X 930	2	2.0
8	round_tube School Bench 4 Frame 8	33.8 X 3.2 X 2210	2	5.35
7	round_tube School Bench 4 Frame 7	33.8 X 3.2 X 2181	2	5.3
6	Sq Tube School Bench 4 Frame 6	25 X 25 X 3.2 X 1450	6	3.1
5	Sq Tube School Bench 4 Frame 5	25 X 25 X 3.2 X 374	4	0.8
4	Rect Tube School Bench 4 Frame 4	50 X 25 X 3.2 X 140	12	0.5
3	Rect Tube School Bench 4 Frame 3	50 X 25 X 3.2 X 1400	6	4.8
2	round_tube School Bench 4 Frame 2	33.8 X 3.2 X 1190	4	2.9
1	round_tube School Bench 4 Frame 1	33.8 X 3.2 X 1171	4	2.8

This drawing is our property. It can't be reproduced or communicated without our written agreement.		APL APOLLO TUBES LTD. 	
DRAWING TITLE			
SCHOOL BENCH 4			
DRAWN BY	DATE	SIZE	DRAWING NUMBER
SB	20/05/2020	A0	P2P SCHOOL BENCH 4
CHECKED BY	DATE	SCALE	REV
P2P Analysis & Solutions	20/05/2020	As Indicated	00
DESIGNED BY	DATE	WEIGHT (kg)	SHEET 1 OF 5
P2P Analysis & Solutions	20/05/2020	0kg	

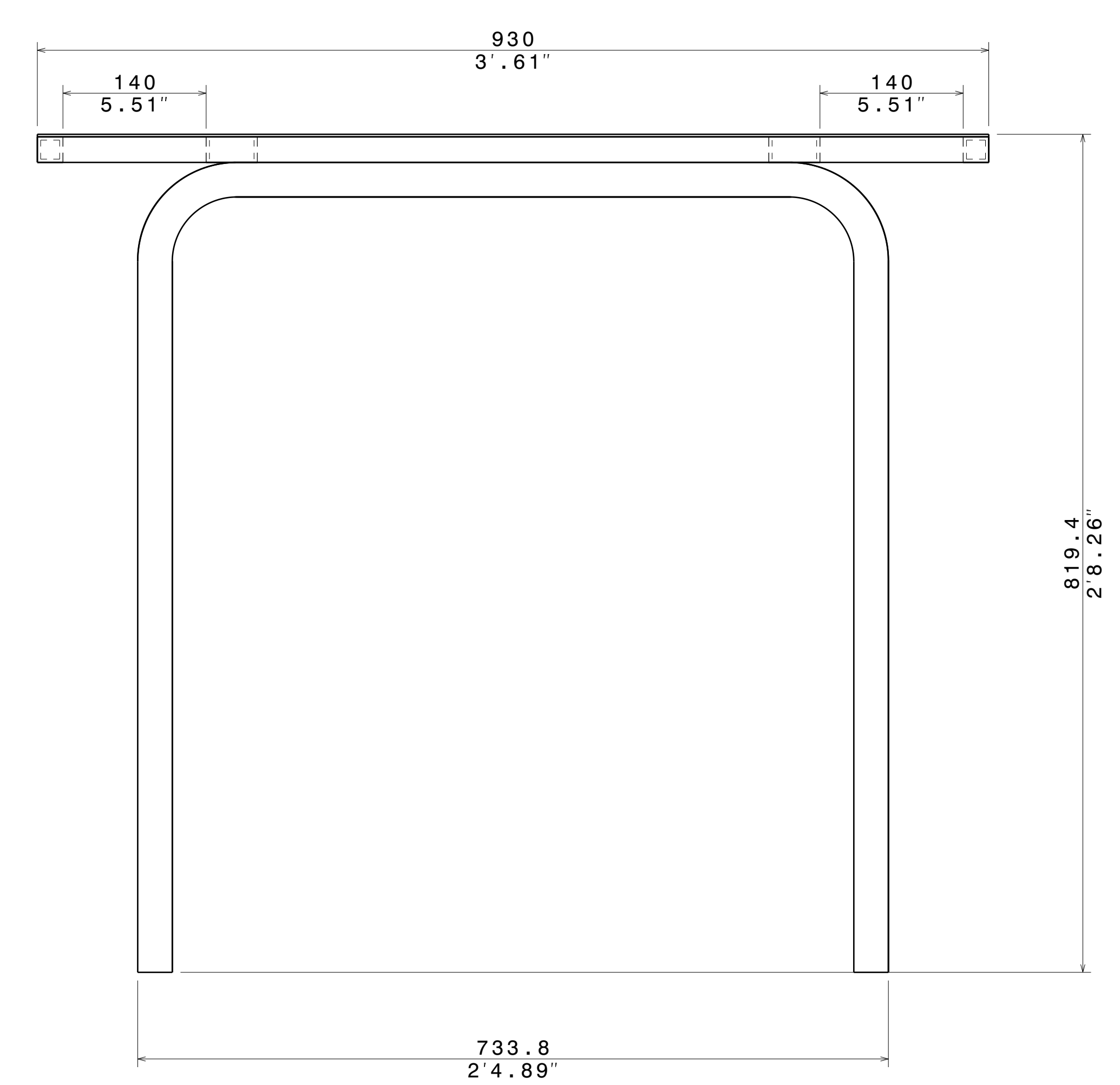
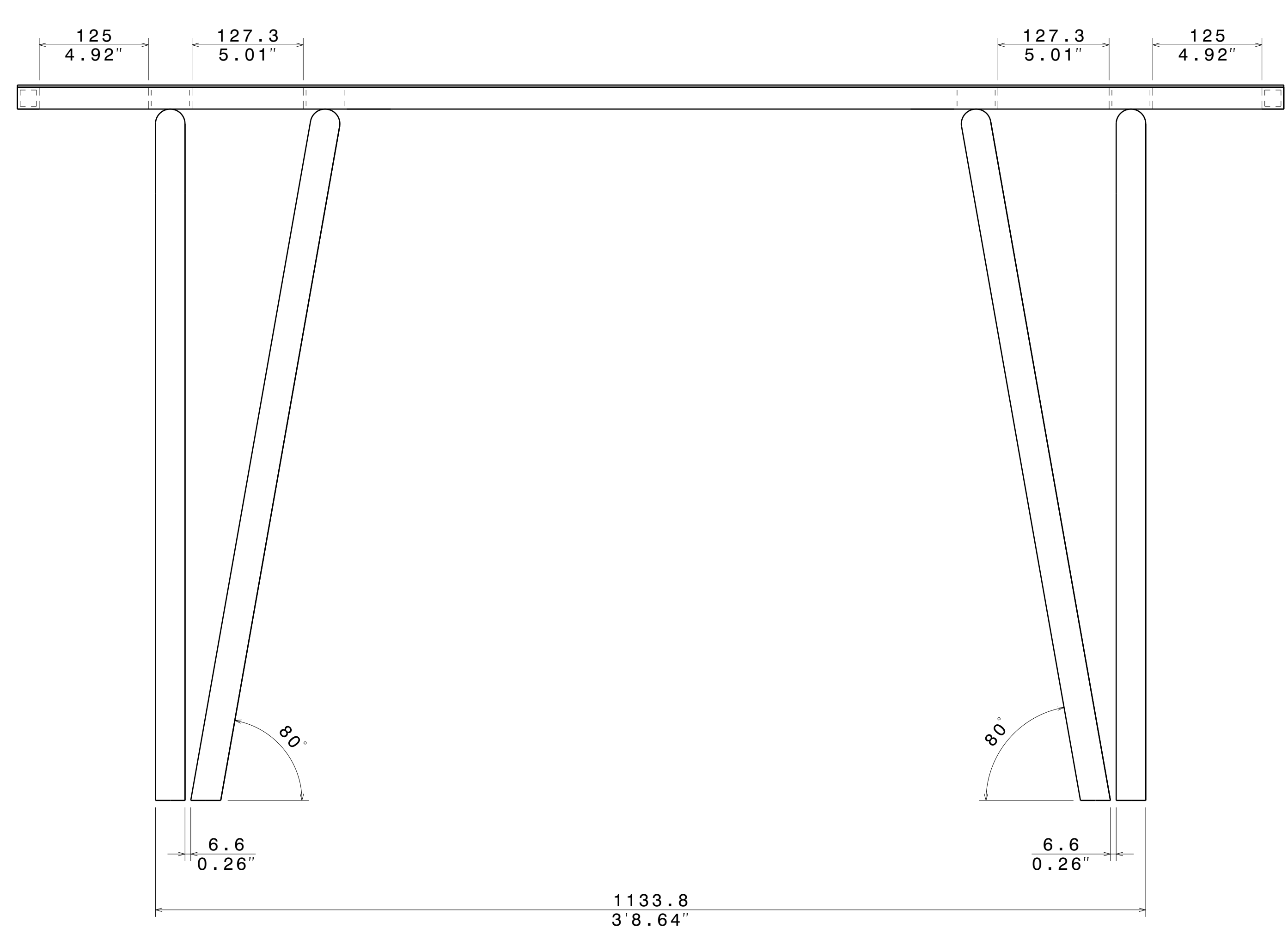
UNLESS OTHERWISE SPECIFIED DIMENSION ARE IN MM VIEWS: THIRD ANGLE PROJECTION



REV	DATE	DESCRIPTION
00	20/05/2020	INITIAL REVISION

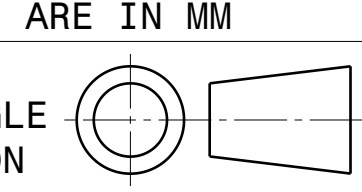



Bench



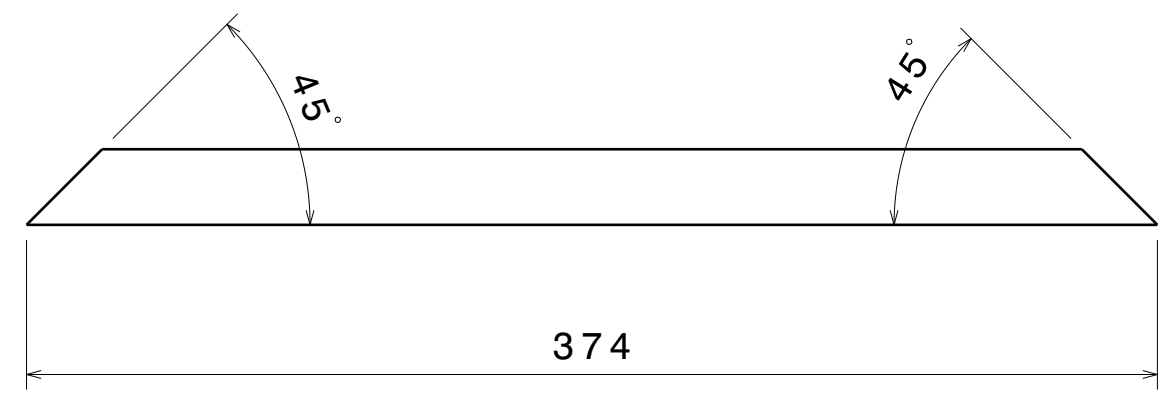
Table

UNLESS OTHERWISE SPECIFIED DIMENSION ARE IN MM
 VIEWS: THIRD ANGLE PROJECTION

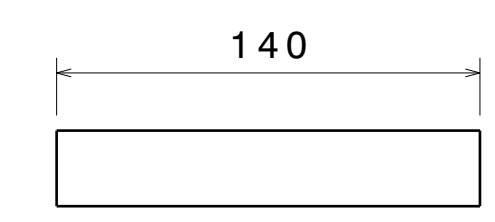


This drawing is our property. It can't be reproduced or communicated without our written agreement.		APL APOLLO TUBES LTD. 	
DRAWN BY SB		DATE 20/05/2020	
CHECKED BY P2P Analysis & Solutions		DATE 20/05/2020	
DESIGNED BY P2P Analysis & Solutions		DATE 20/05/2020	
DRAWING TITLE SCHOOL BENCH 4		SIZE A0	DRAWING NUMBER P2P SCHOOL BENCH 4
SCALE NONE		WEIGHT (kg) XXX	REV 00
		SHEET 2 OF 5	

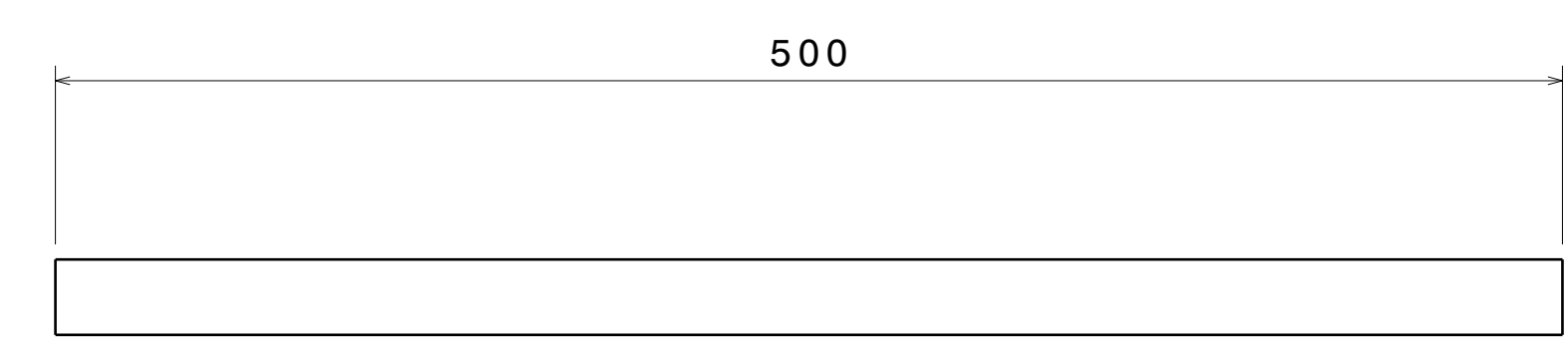
REV	DATE	DESCRIPTION
00	20/05/2020	INITIAL REVISION



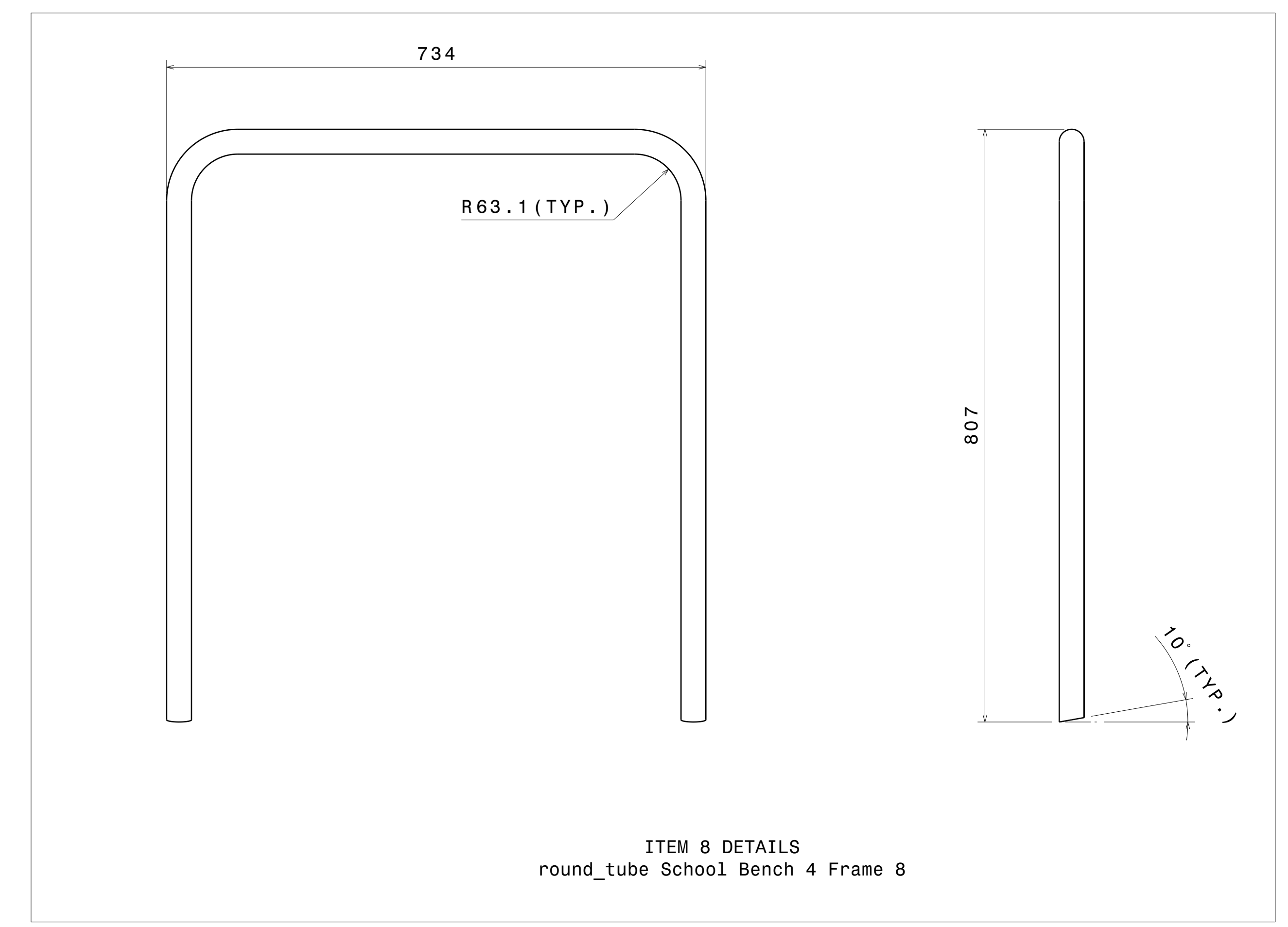
ITEM 5 DETAILS
Sq Tube School Bench 4 Frame 5



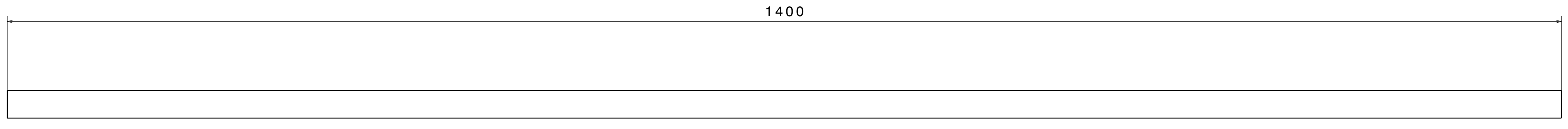
ITEM 4 DETAILS
Rect Tube School Bench 4 Frame 4



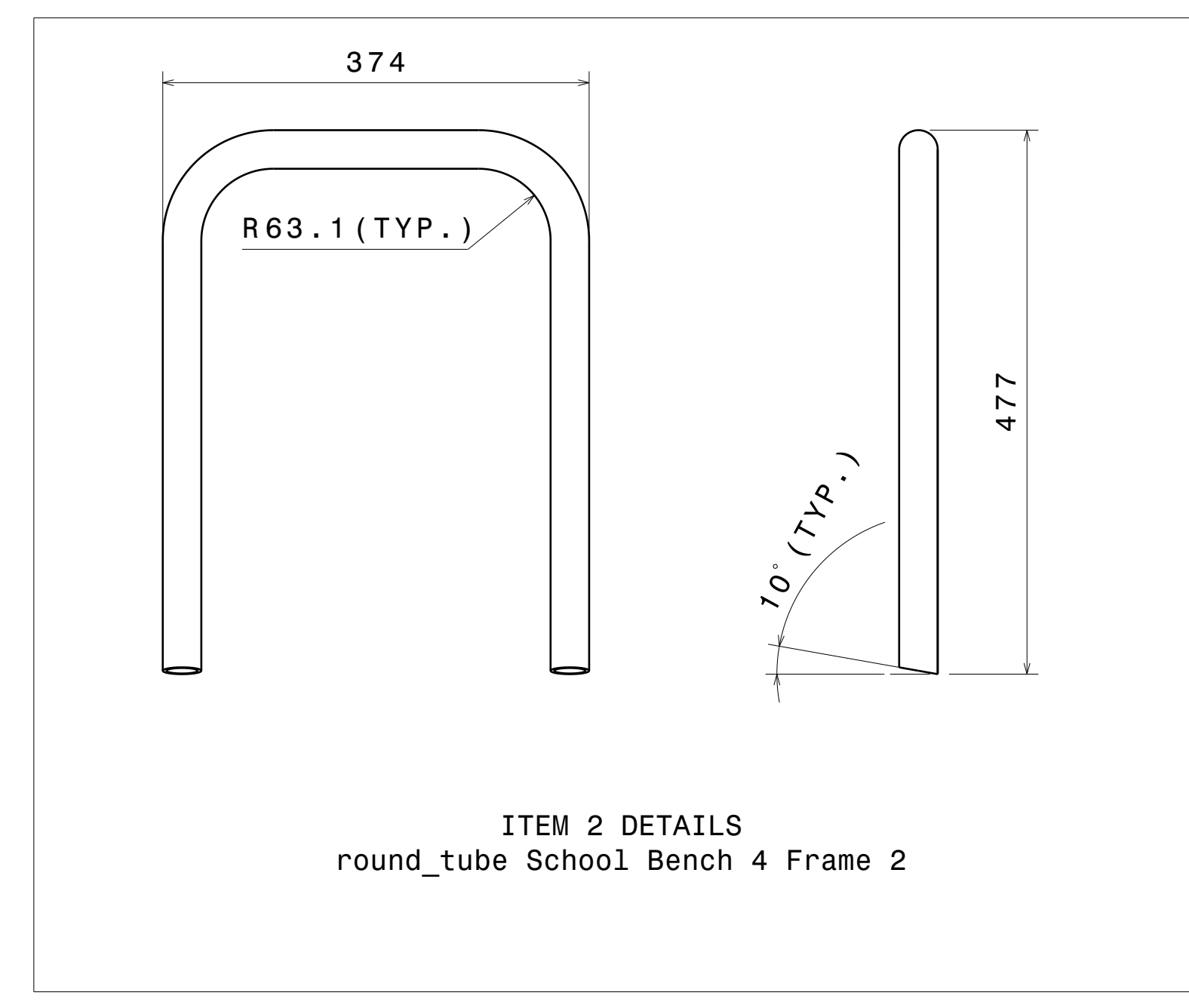
ITEM 10 DETAILS
Rect Tube School Bench 4 Frame 10



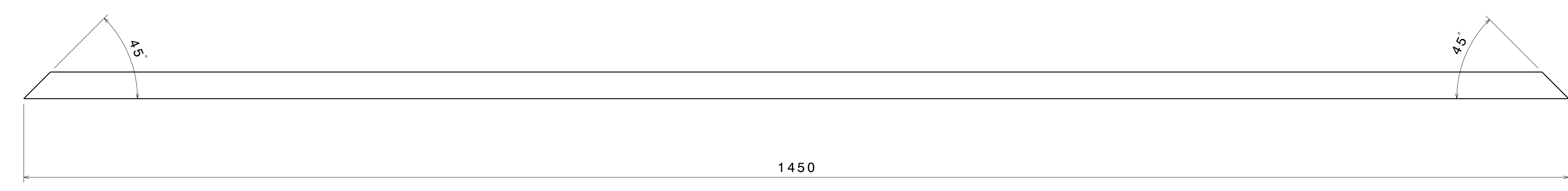
ITEM 8 DETAILS
round_tube School Bench 4 Frame 8



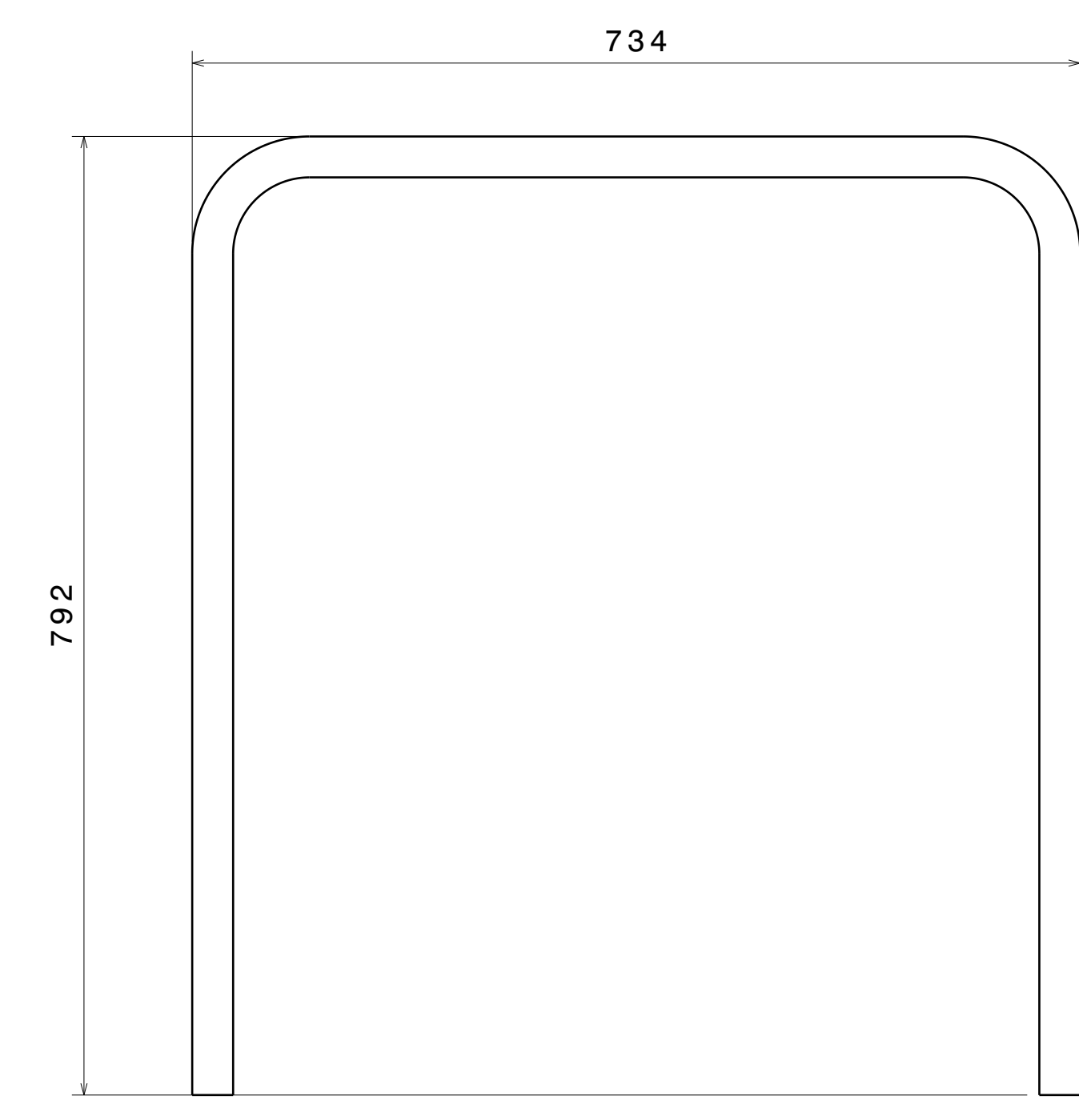
ITEM 3 DETAILS
Rect Tube School Bench 4 Frame 3



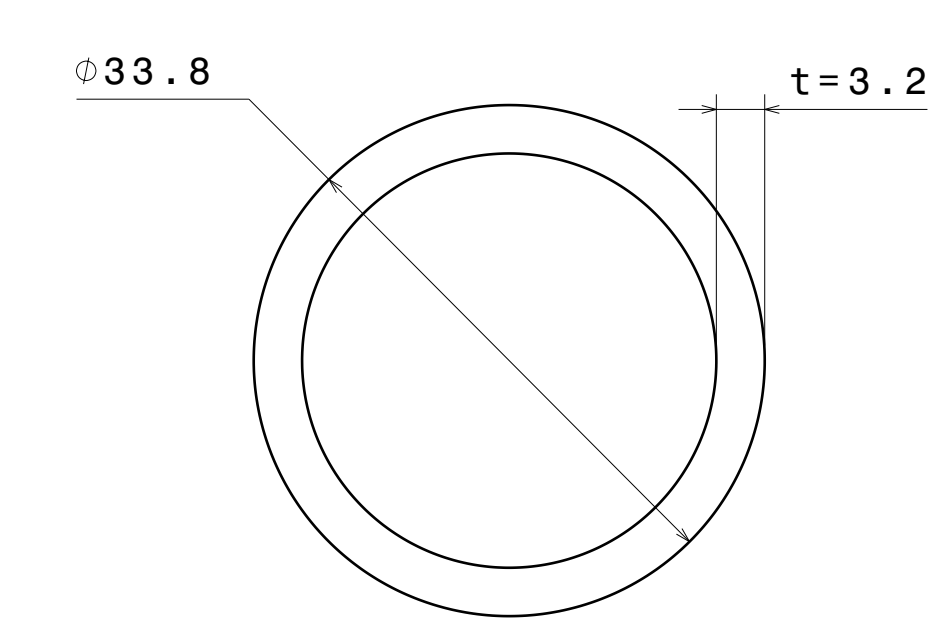
ITEM 2 DETAILS
round_tube School Bench 4 Frame 2



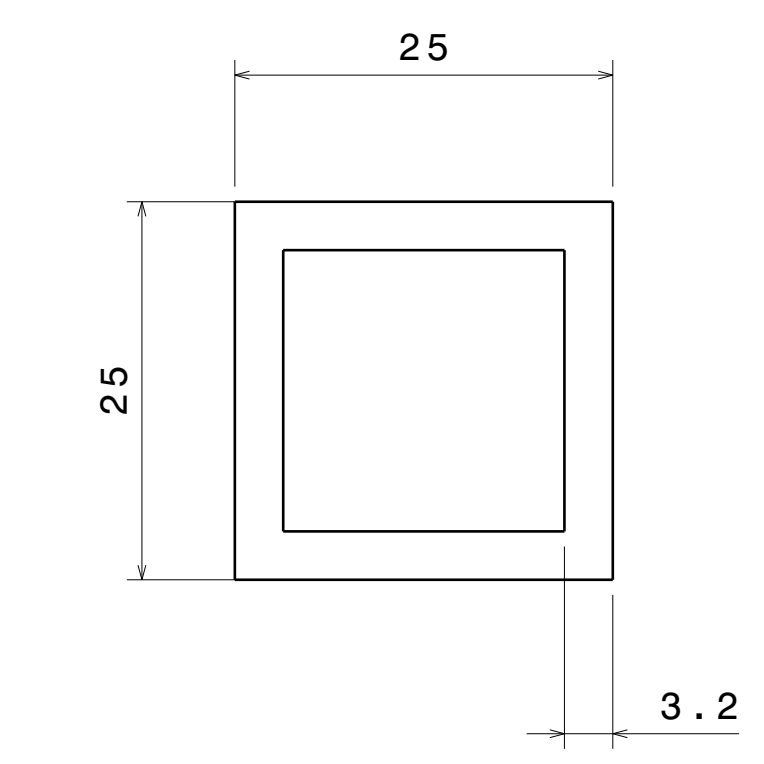
ITEM 6 DETAILS
Sq Tube School Bench 4 Frame 6



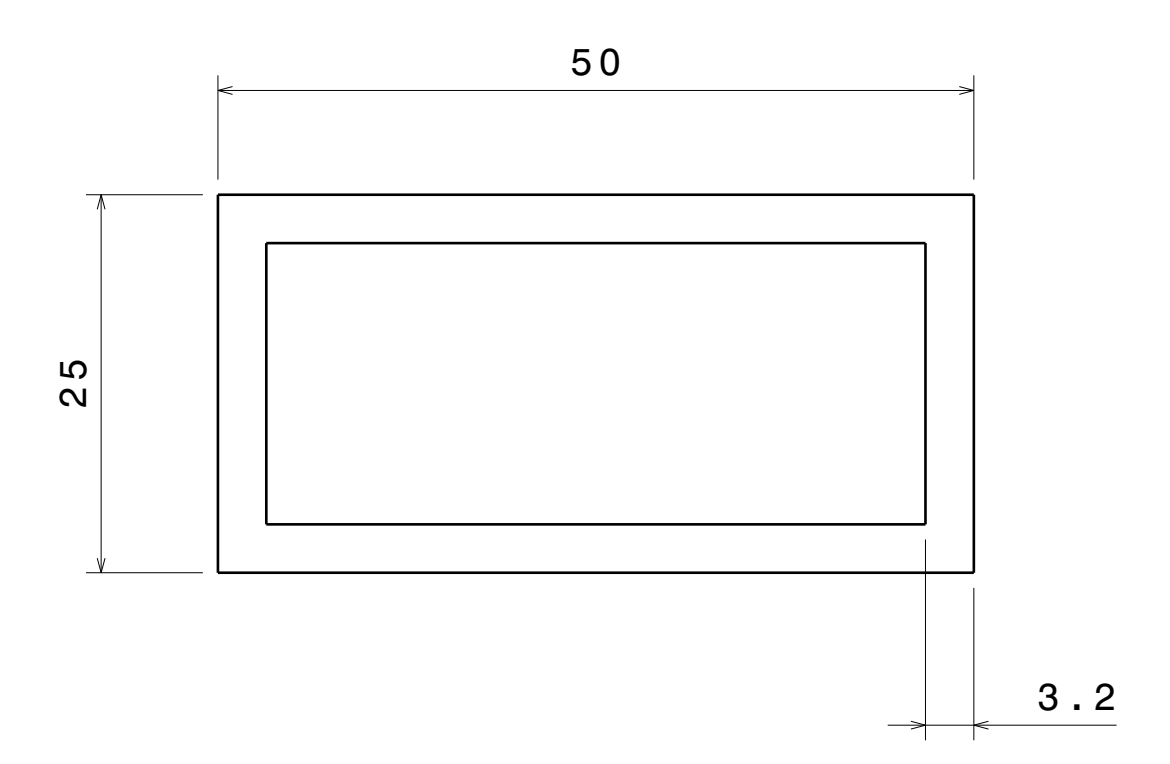
ITEM 7 DETAILS
round_tube School Bench 4 Frame 7



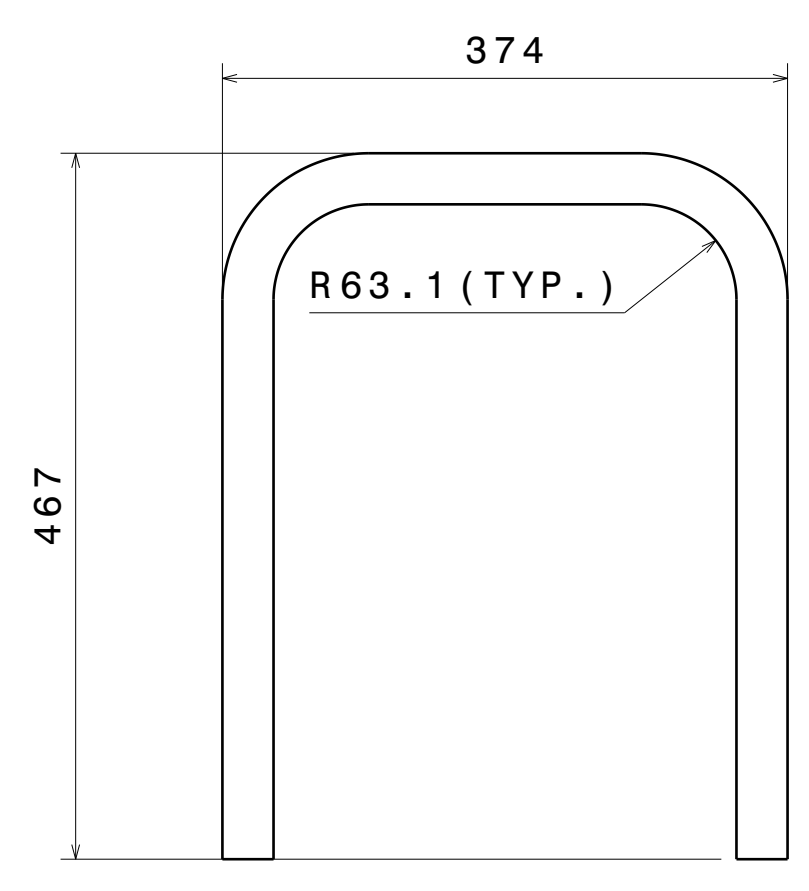
Section Detail of ITEM 1,2,7 & 8
Scale: 2:1



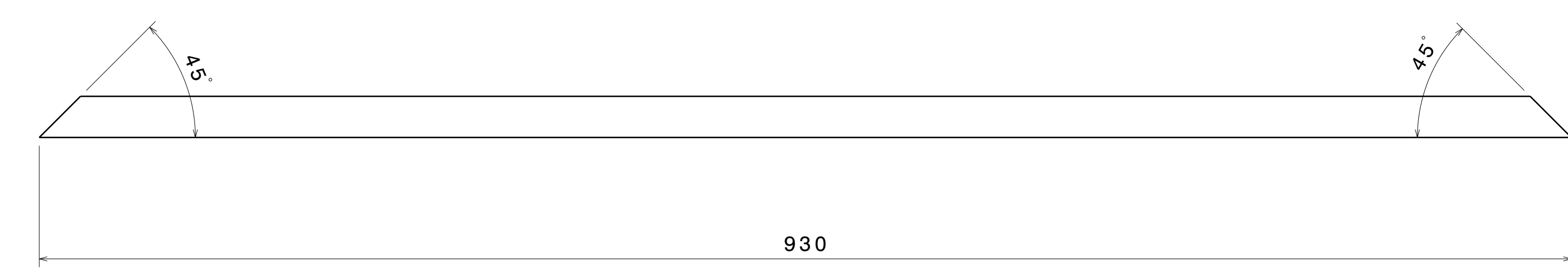
Section Detail of ITEM 5,6 & 9
Scale: 2:1



Section Detail of ITEM 3,4 & 10
Scale: 2:1



ITEM 1 DETAILS
round_tube School Bench 4 Frame 1



ITEM 9 DETAILS
Sq Tube School Bench 4 Frame 9

This drawing is our property. It can't be reproduced or communicated without our written agreement.

APL APOLLO TUBES LTD.

DRAWN BY	DATE
SB	20/05/2020
CHECKED BY	DATE
P2P Analysis & Solutions	20/05/2020
DESIGNED BY	DATE
P2P Analysis & Solutions	20/05/2020

DRAWING TITLE		SCHOOL BENCH 4	
SIZE	DRAWING NUMBER	REV	
A0	P2P SCHOOL BENCH 4	00	
SCALE	NONE	WEIGHT (kg)	XXX
			SHEET 3 OF 5

UNLESS OTHERWISE SPECIFIED DIMENSION ARE IN MM VIEWS: THIRD ANGLE PROJECTION