

1

2

3

4

5

6

A

A

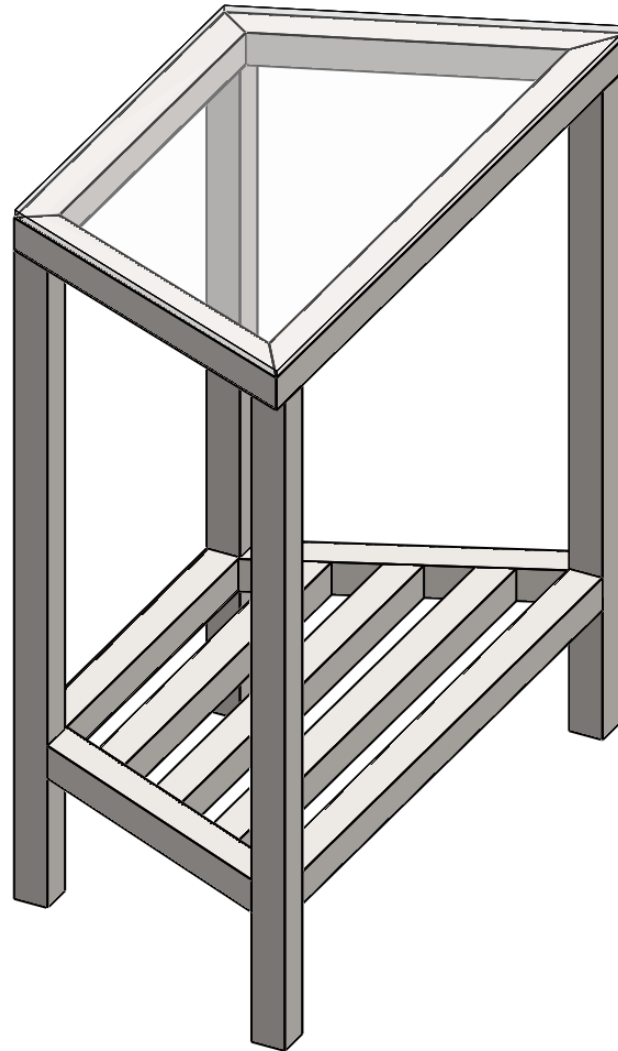
B

B

C

C

D



DO NOT SCALE DRAWING

REVISION

TITLE:

	NAME	SIGNATURE	DATE
DRAWN			
CHK'D			
APPVD			

DWG NO.

SIDE TABLE 3

SCALE:1:20

SHEET 1 OF 3

A4

1

2

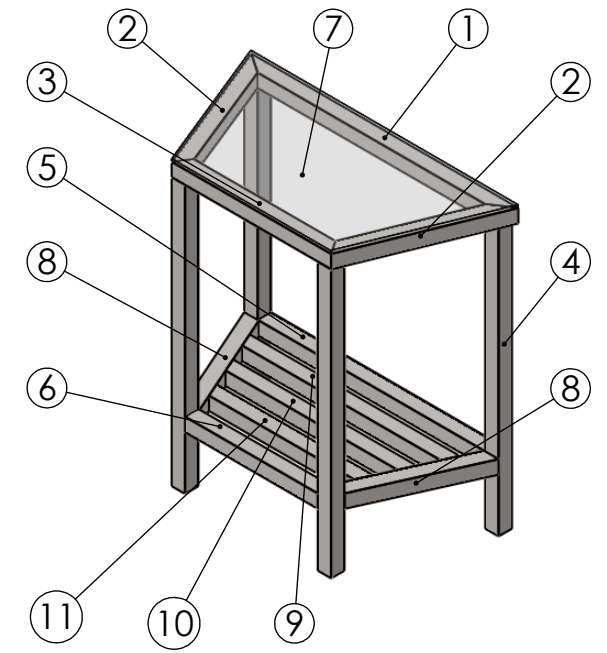
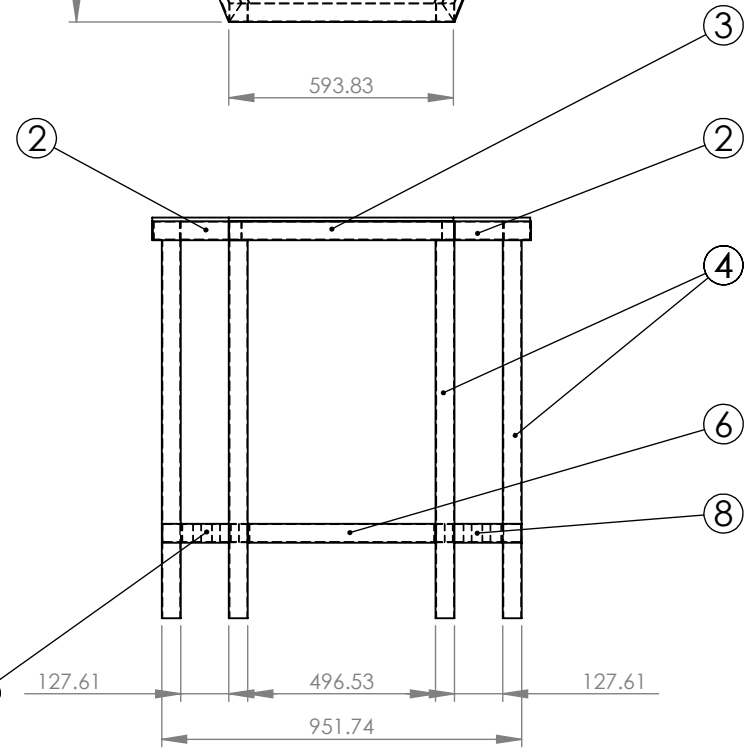
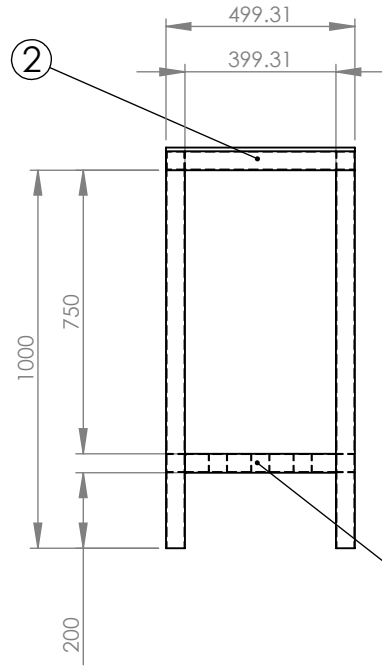
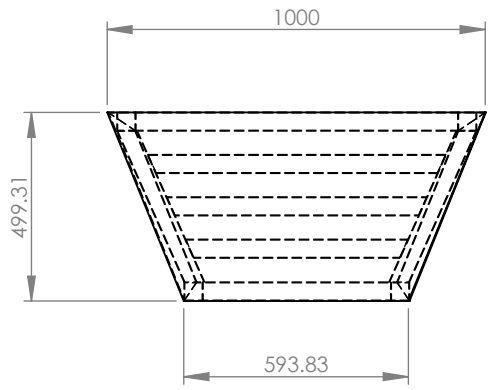
3

A

B

C

D



ITEM NO.	PART NUMBER	DESCRIPTION	QTY.	LENGTH
1	50X50X2X1000	SHS	1	1000
2	50X50X2X538.52	SHS	2	1077.04
3	50X50X2X596.53	SHS	1	596.53
4	50X50X2X1000 (2)	SHS	4	4000
5	50X50X2X851.74	SHS	1	851.74
6	50X50X2X496.53	SHS	1	496.53
7	TOUGHENED GLASS 1000X500X10	GLASS	1	
8	50X50X2X437.03	SHS	2	874.06
9	50X50X2X787.26	SHS	1	787.26
10	50X50X2X687.52	SHS	1	687.52
11	50X50X2X587.80	SHS	1	587.80

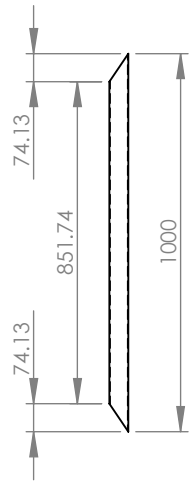
NOTE :-

- ALL VERTICAL AND HORIZONTAL SUPPORTS ARE PERFECTLY 90°.
- ∇∇ SURFACE FINISH, MEDIUM TO SMOOTH IS USED.
- ALL TUBES ARE AS PER APL APOLLO STANDARD.
- FINE WELDING IS REQUIRED AS PER MENTION DETAILS AND FINISHING.
- JOINTS ARE WELD TOGETHER BY THE HIGH ACCURACY MIG WELDING.
- ALL DIMENSIONS ARE IN MM.
- HIGHER CURRENT WELDING MAY EFFECT THE BRITTLNESS OF MATERIAL WHICH MAY RAISE TO WEAKENING OF STRUCTURE.

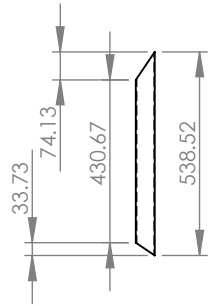


	NAME	SIGNATURE	DATE
DRAWN			
CHK'D			
APP'VD			

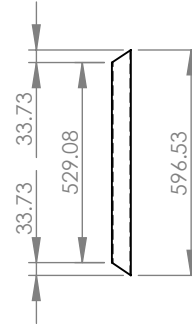
DO NOT SCALE DRAWING	REVISION
TITLE:	
DWG NO.	SIDE TABLE 3



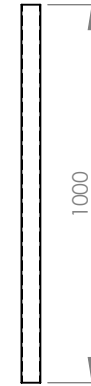
ITEM 1
SHS 50X50X2.0X1000



ITEM 2
SHS 50X50X2.0X538.52



ITEM 3
SHS 50X50X2.0X596.53



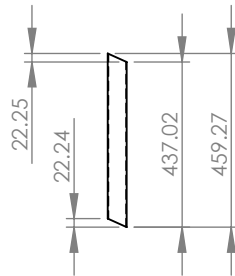
ITEM 4
SHS 50X50X2.0X1000 (2)



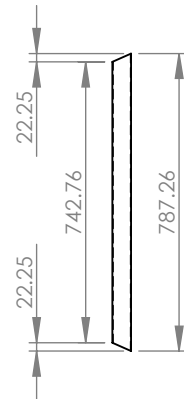
ITEM 5
SHS 50X50X2.0X851.74



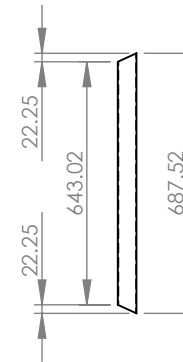
ITEM 6
SHS 50X50X2.0X496.53



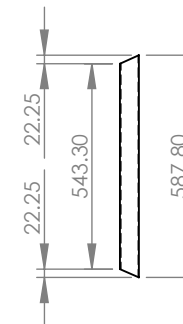
ITEM 8
SHS 50X50X2.0X459.27



ITEM 9
SHS 50X50X2.0X787.26



ITEM 10
SHS 50X50X2.0X687.52



ITEM 11
SHS 50X50X2.0X587.80



DO NOT SCALE DRAWING

REVISION

TITLE:

PART DRAWINGS

	NAME	SIGNATURE	DATE
DRAWN			
CHK'D			
APPVD			

DWG NO.

SIDE TABLE 3

SCALE:1:20

SHEET 3 OF 3

A4