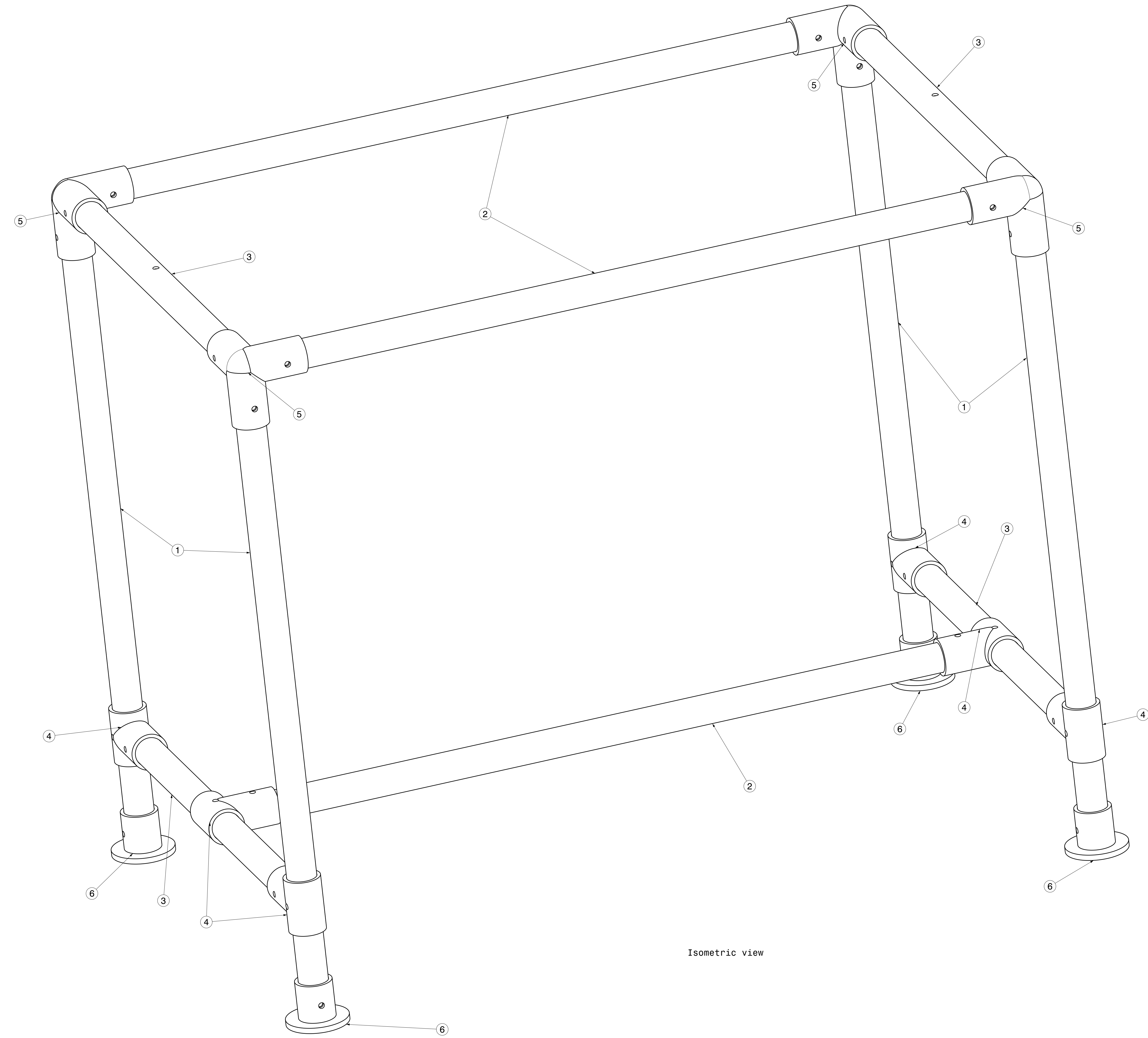


REV	DATE	DESCRIPTION
00	26/04/2020	INITIAL REVISION

NOTES:

1. (⊥) ALL VERTICAL SUPPORTS ARE PERPENDICULAR.
2. □ FLATNESS OF .5MM IS APPLIED BY DEFAULT.
3. ∇ WELD BEAD OF 2MM RADIUS IS FOLLOWED.
4. ∇∇ SURFACE FINISH MEDIUM TO SMOOTH IS USED.
5. ALL TUBES ARE AS PER APL APOLLO STANDARD. CHANGES MAY EFFECT THE LOAD CAPACITY.
6. ALL HORIZONTAL AND VERTICAL TUBES ARE PERPENDICULAR TO EACH OTHER WITH ±1 DEG.
7. FINE WELDING IS REQUIRED AS PER MENTIONED DETAILS AND FINISHING.
8. HIGHER CURRENT WELDING MAY AFFECT THE BRITTLENESS OF MATERIAL WHICH LATER MAY RAISE TO WEAKENING OF STRUCTURE.
9. FABRICATORS ARE ALLOWED TO USE FITTINGS/FRAMES/SUPPORTS AS NEEDED AND THE SAME MUST BE COMMUNICATED BACK TO ENGINEERING TEAM.
10. LENGTH OF ALL LONGITUDINAL FRAMES ARE FOR REFERENCE ONLY AND SUBJECTED TO CHANGE PER REQUIREMENT.



ITEM NO.	PART NUMBER	DESCRIPTION	QTY.	Wt(Kg)/Each
6		Base connector-BOP	4	
5		3 Way Joint-BOP	4	
4		T Joint-BOP	6	
3		round_tube Pin on Table Frame 3	4	2.2
2		round_tube Pin on Table Frame 2	3	3.4
1		round_tube Pin on Table Frame 1	4	2.9

This drawing is our property. It can't be reproduced or communicated without our written agreement.

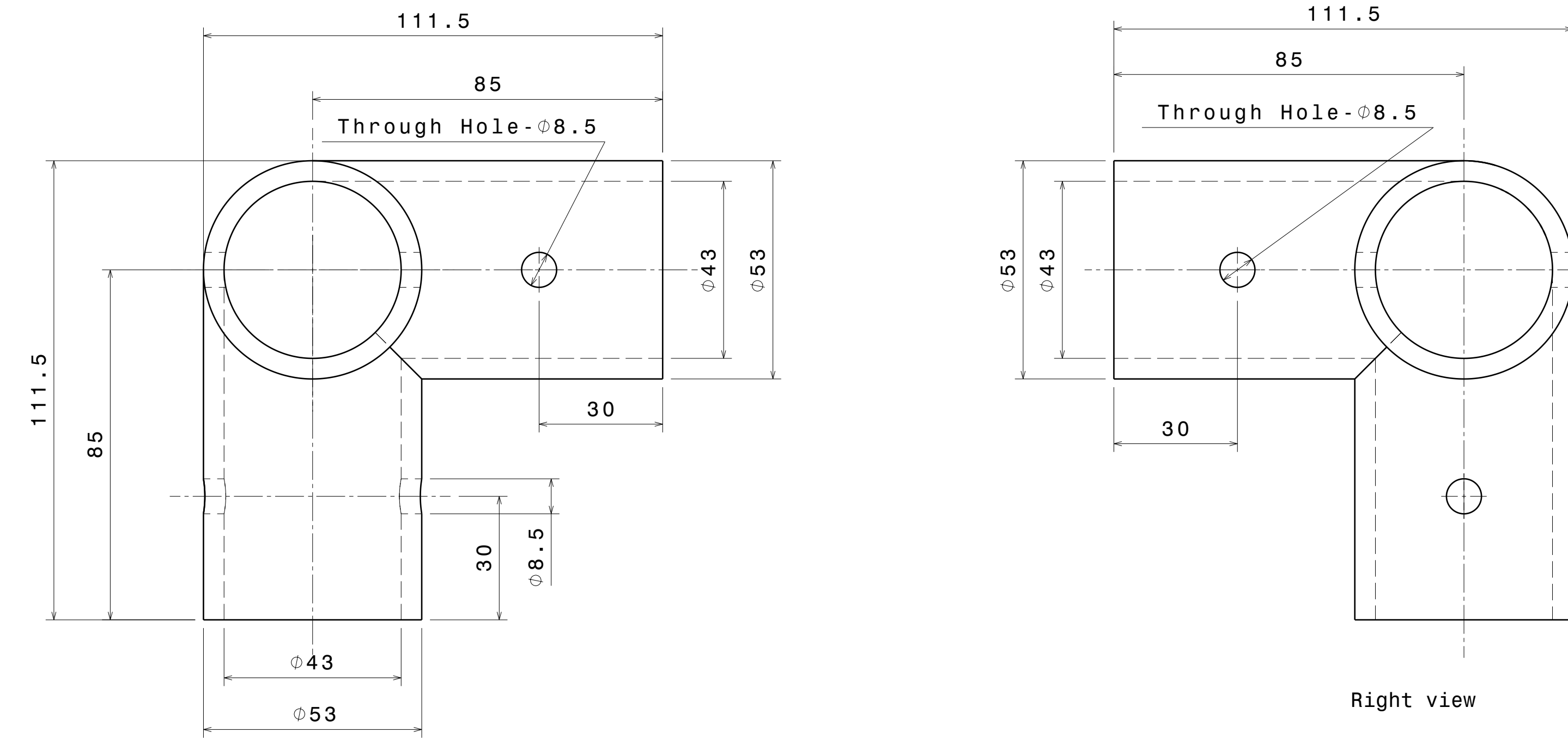
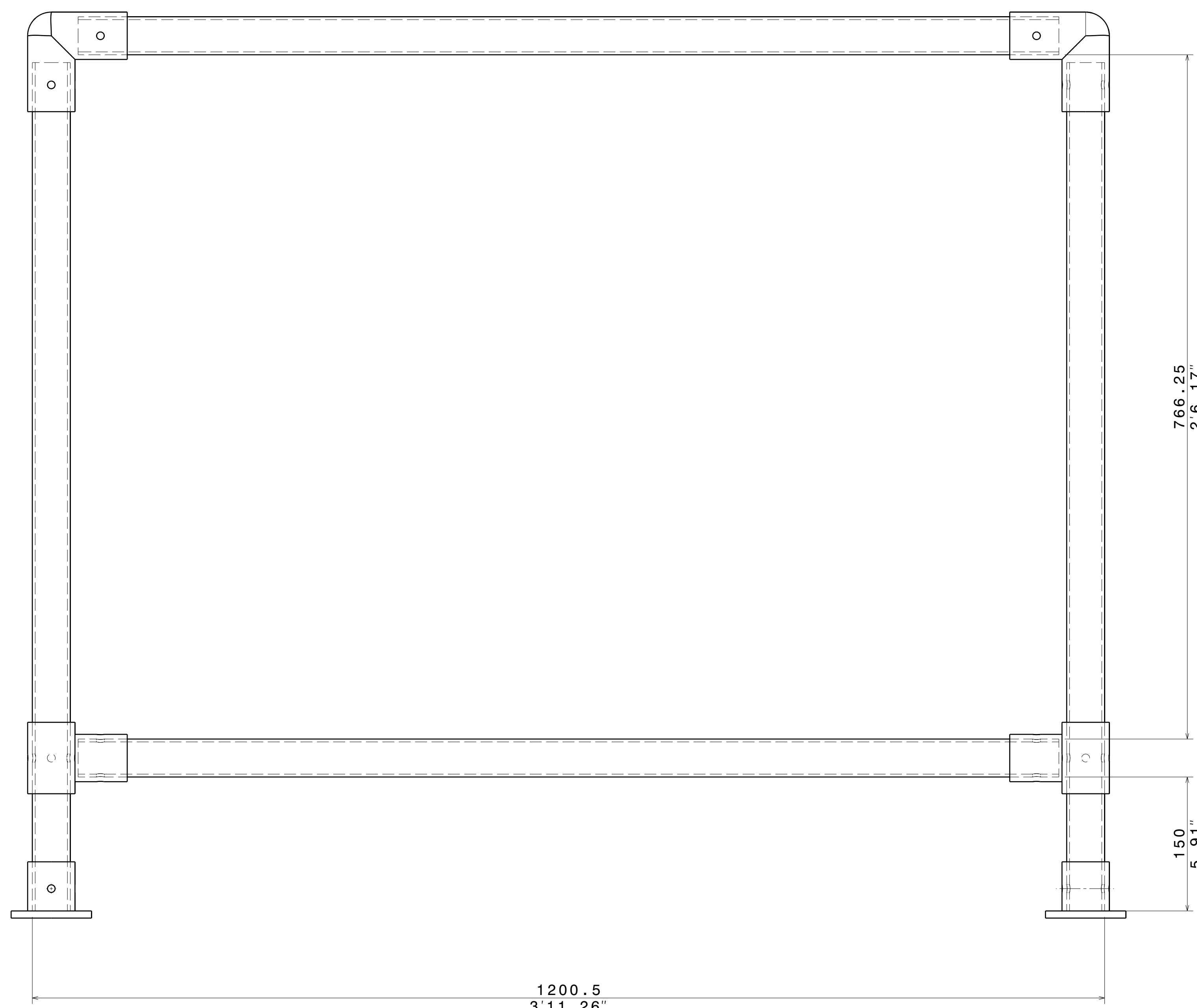
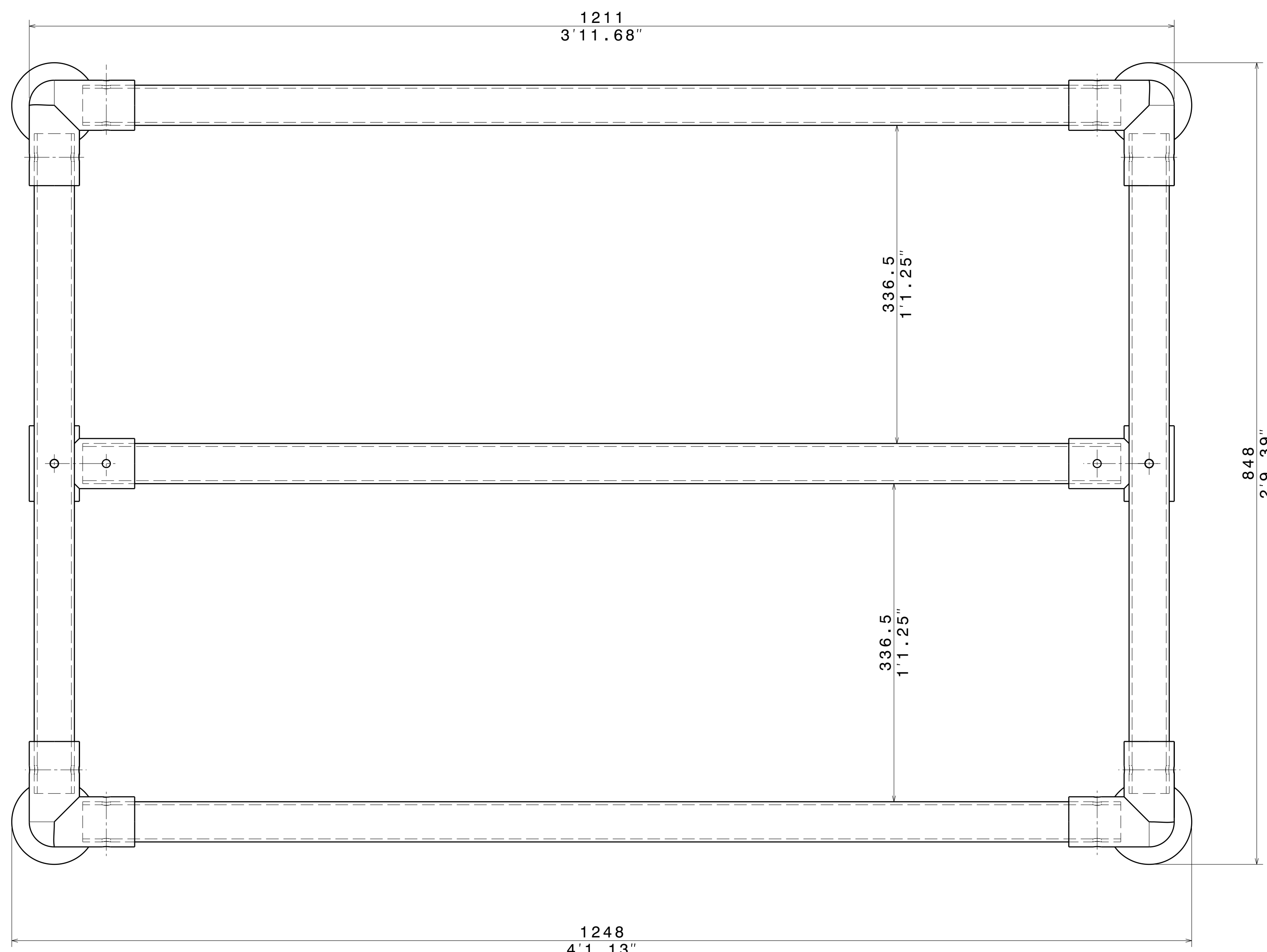
APL APOLLO TUBES LTD.

DRAWING TITLE
PIN ON TABLE

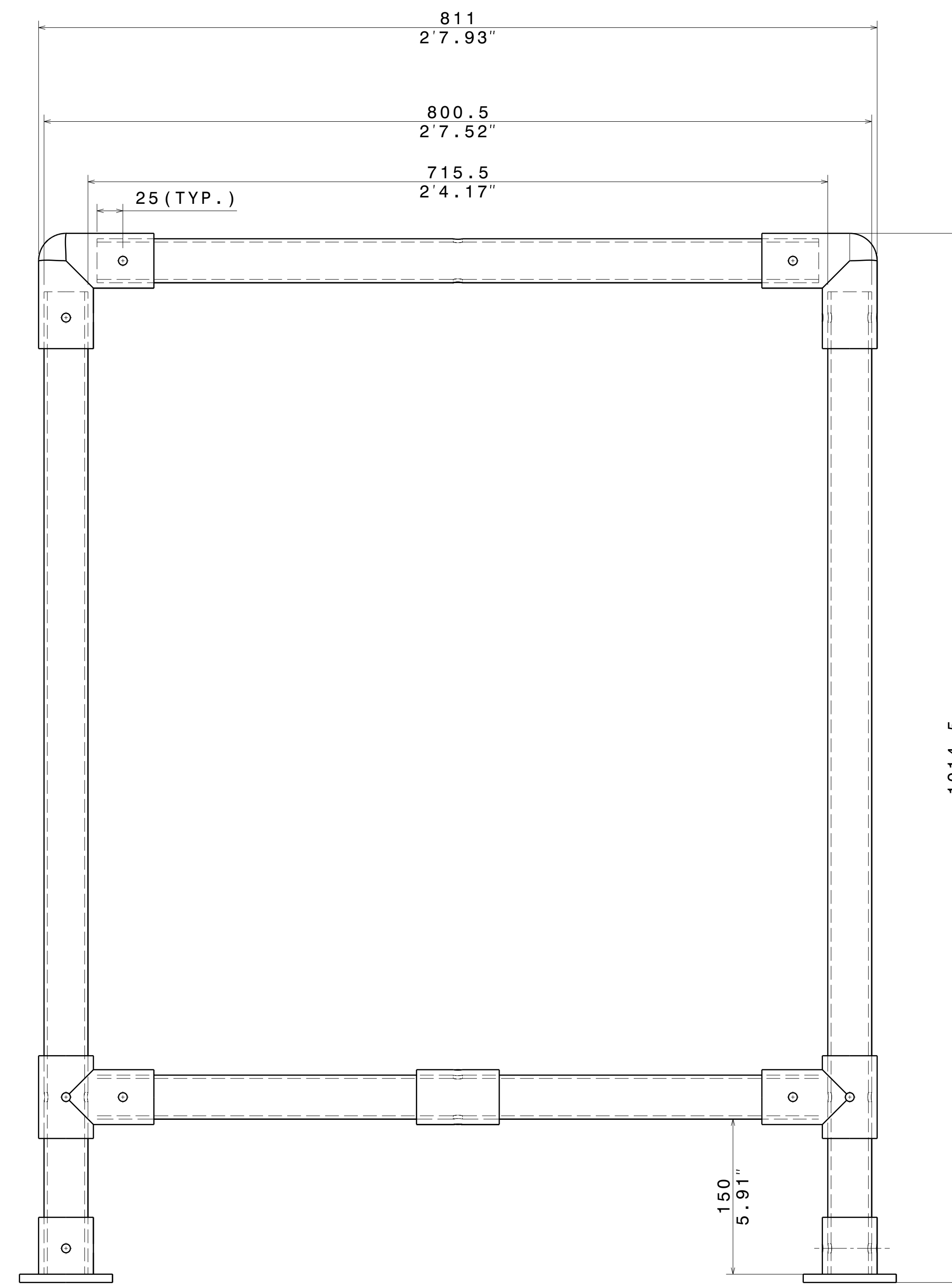
DRAWN BY	DATE	SIZE	DRAWING NUMBER	REV
SB	26/04/2020	A0	P2P PIN ON TABLE	00
CHECKED BY	DATE	SCALE	WEIGHT(kg)	SHEET 1 OF 5
P2P Analysis & Solutions	26/04/2020	As Indicated	0kg	
DESIGNED BY	DATE			
P2P Analysis & Solutions	26/04/2020			

UNLESS OTHERWISE SPECIFIED DIMENSION ARE IN MM
VIEWS: THIRD ANGLE PROJECTION

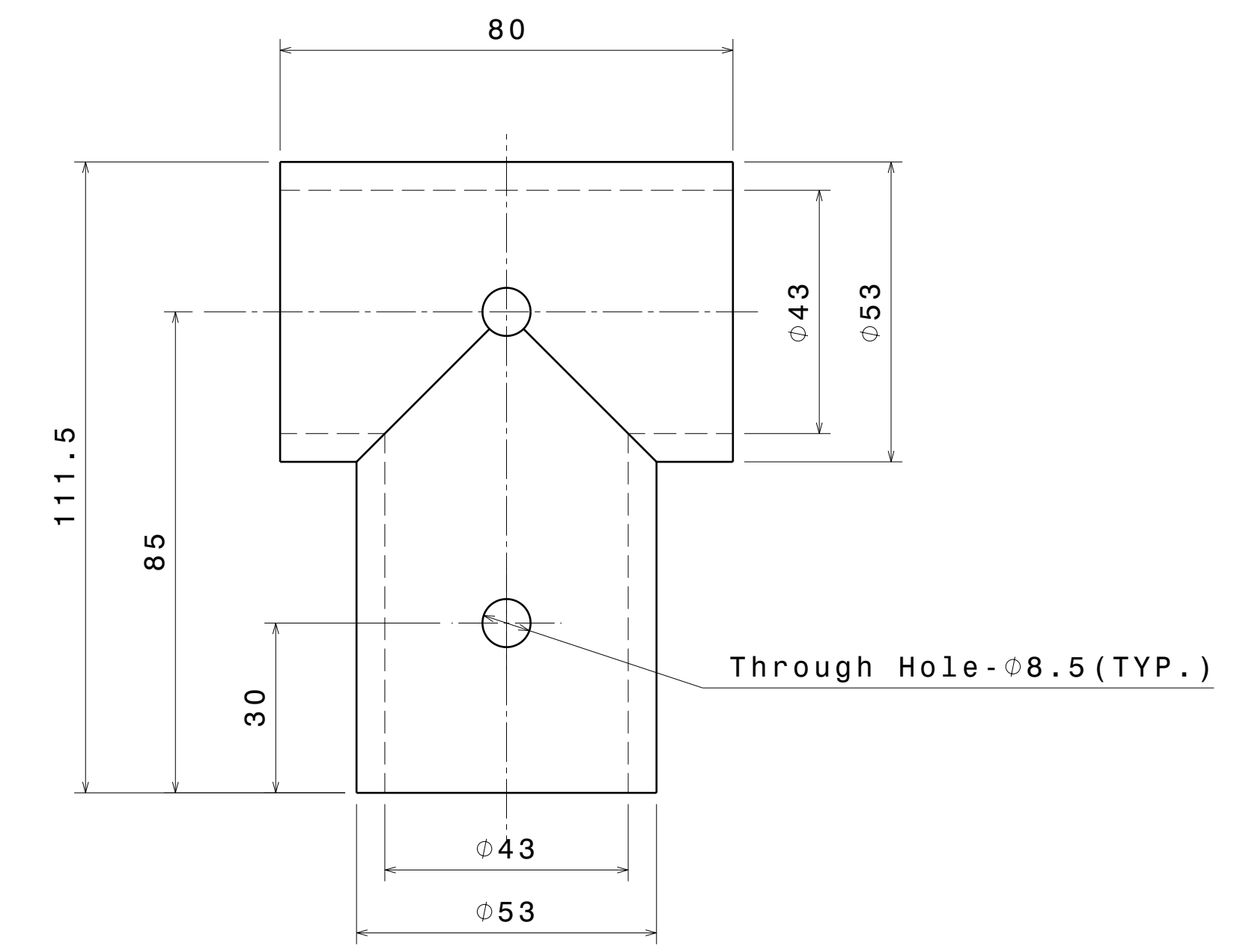
REV	DATE	DESCRIPTION
00	26/04/2020	INITIAL REVISION



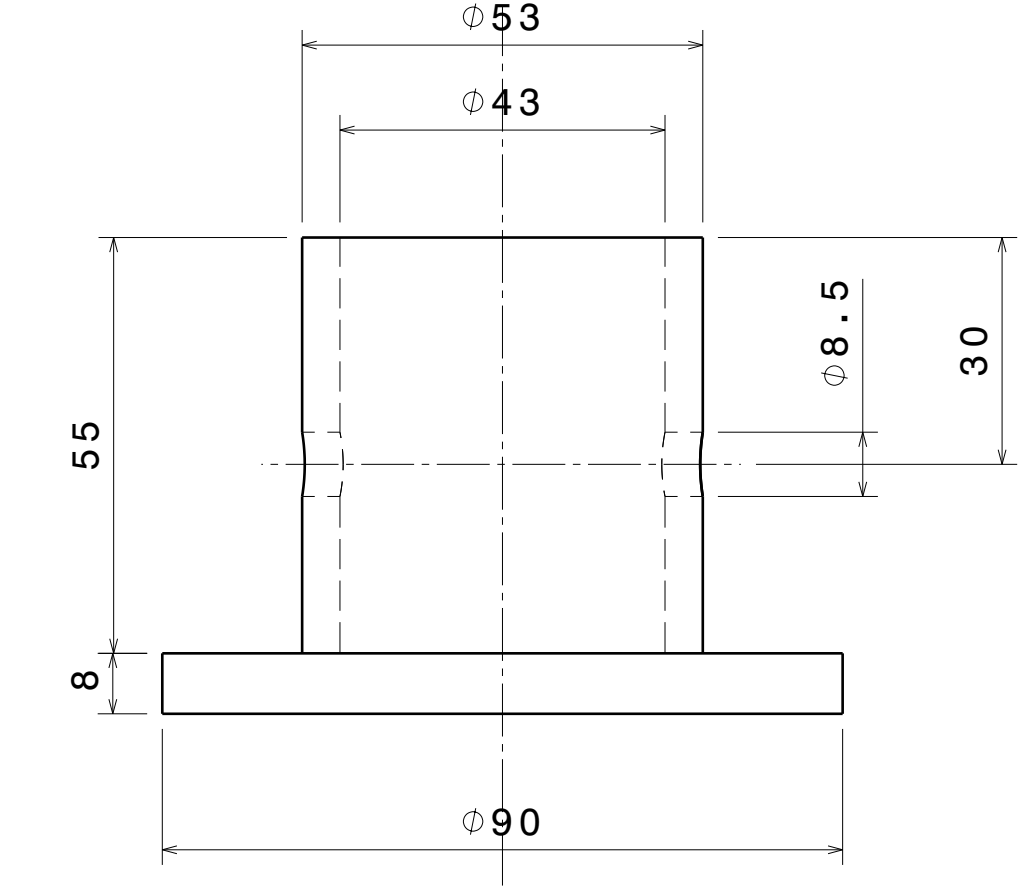
Detail (Three way Joint) Item-5 (BOP)



1014.5
33.94"



Detail (T Joint) Item-4 (BOP)



Detail (Base connector) Item-6 (BOP)

This drawing is our property. It can't be reproduced or communicated without our written agreement.

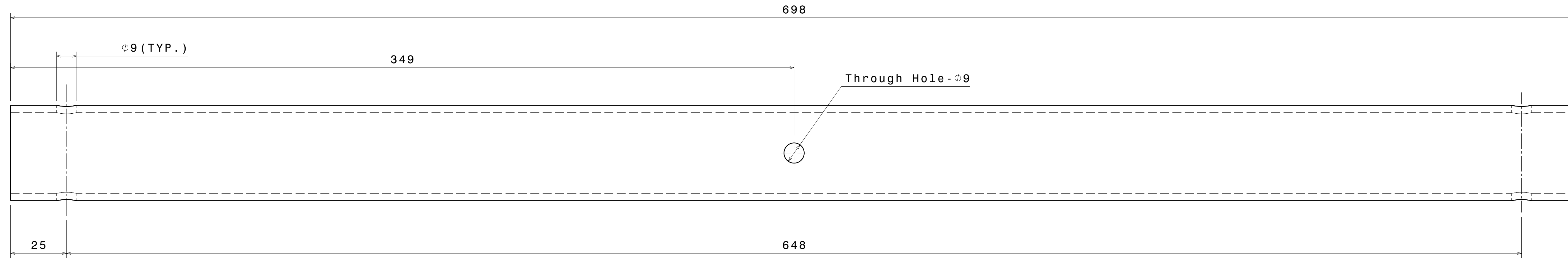
APL APOLLO TUBES LTD.

DRAWN BY	DATE
SB	26/04/2020
CHECKED BY	DATE
P2P Analysis & Solutions	26/04/2020
DESIGNED BY	DATE
P2P Analysis & Solutions	26/04/2020

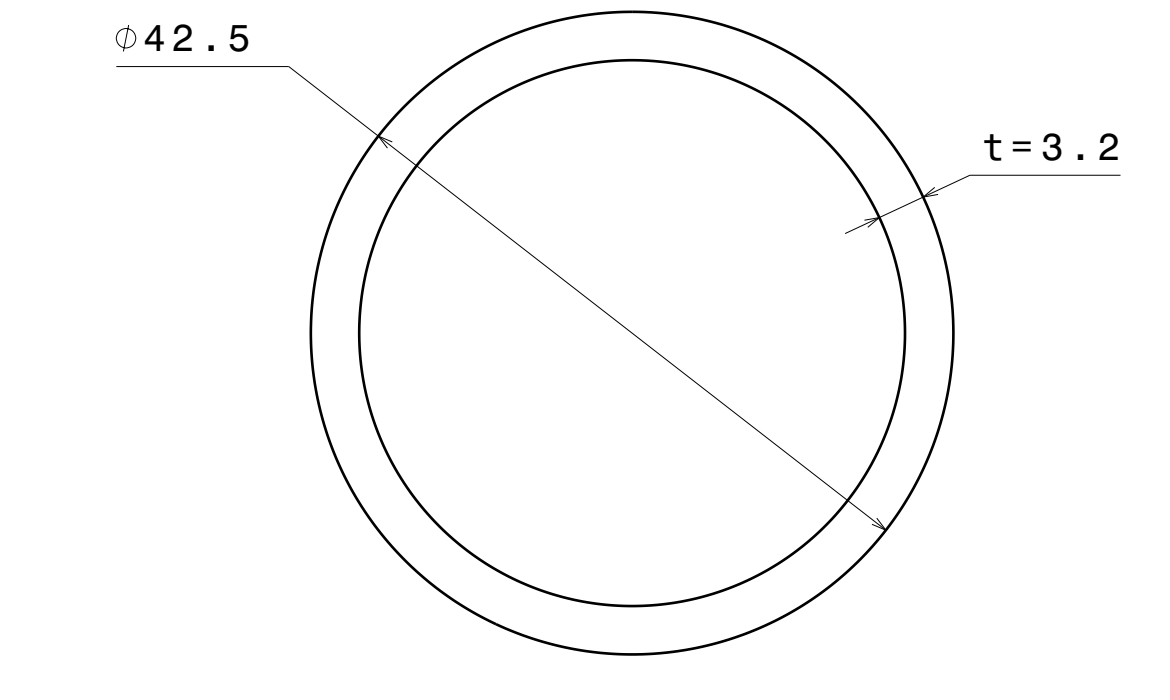
DRAWING TITLE		REV	
PIN ON TABLE		00	
SIZE	DRAWING NUMBER		
A0	P2P PIN ON TABLE		
SCALE	WEIGHT (kg)	XXX	
NONE		SHEET 2 OF 5	

UNLESS OTHERWISE SPECIFIED DIMENSION ARE IN MM VIEWS: THIRD ANGLE PROJECTION

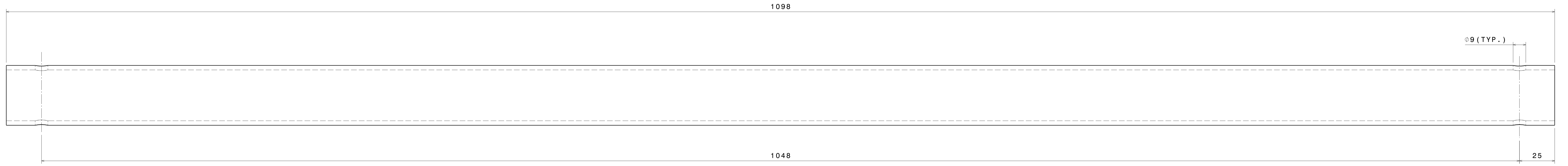
REV	DATE	DESCRIPTION
00	26/04/2020	INITIAL REVISION



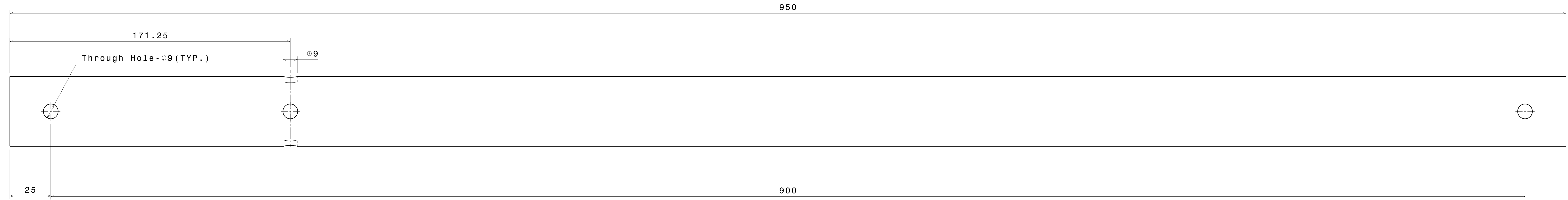
ITEM 3 DETAILS
round Tube Pin on Table Frame 3



Section Detail of ITEM 1, 2 & 3
Scale: 2:1

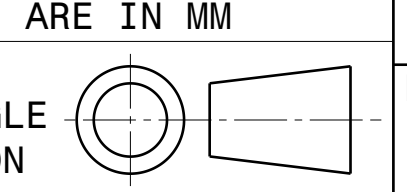


ITEM 2 DETAILS
round Tube Pin on Table Frame 2



ITEM 1 DETAILS
round Tube Pin on Table Frame 1

UNLESS OTHERWISE SPECIFIED DIMENSION ARE IN MM
VIEWS: THIRD ANGLE PROJECTION



This drawing is our property. It can't be reproduced or communicated without our written agreement.

DRAWN BY	DATE
SB	26/04/2020
CHECKED BY	DATE
P2P Analysis & Solutions	26/04/2020
DESIGNED BY	DATE
P2P Analysis & Solutions	26/04/2020

APL APOLLO TUBES LTD.	
DRAWING TITLE	
PIN ON TABLE	
SIZE	DRAWING NUMBER
A0	P2P PIN ON TABLE
SCALE	WEIGHT (kg)
NONE	XXX
REV	SHEET 3 OF 5
00	