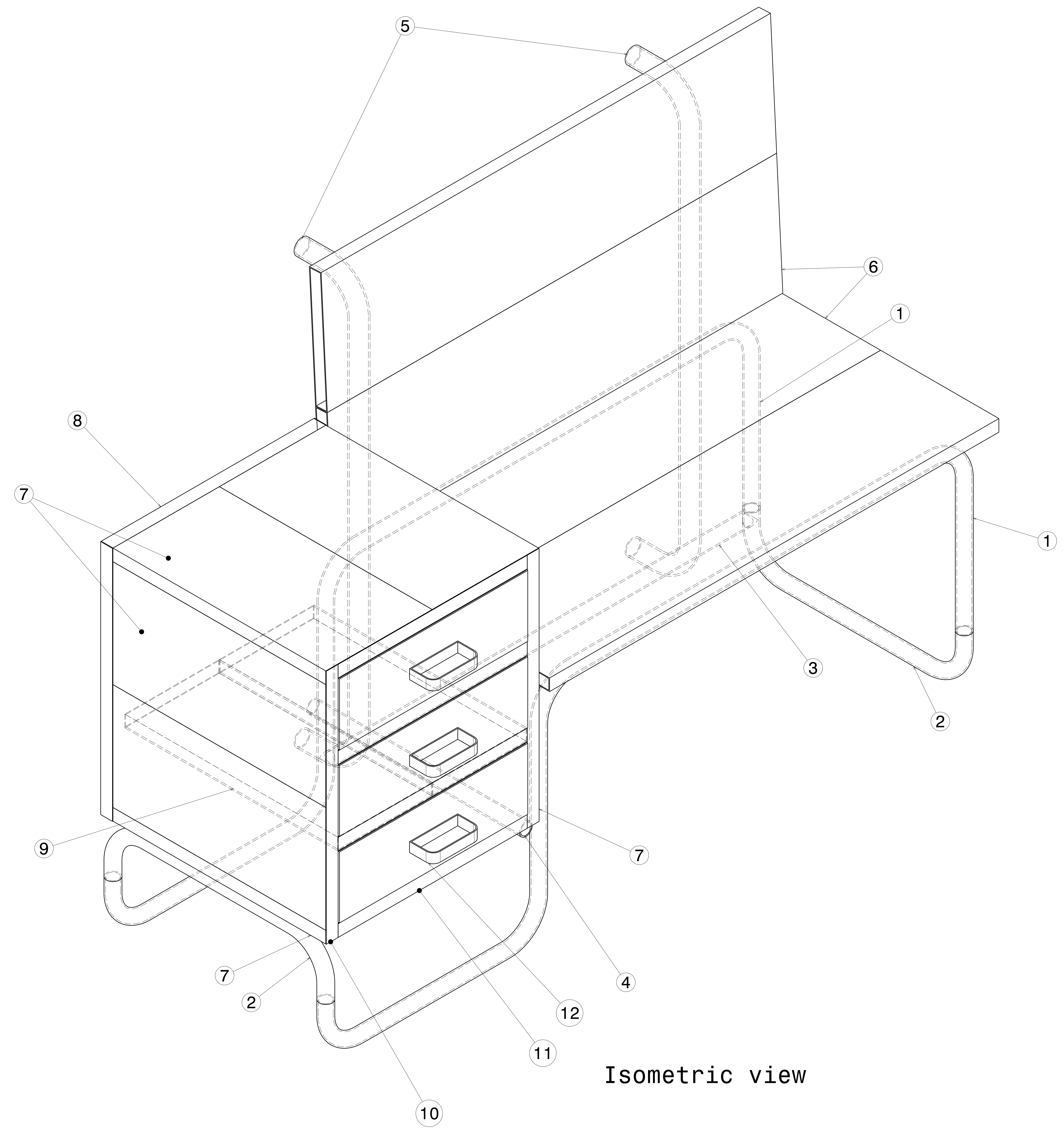
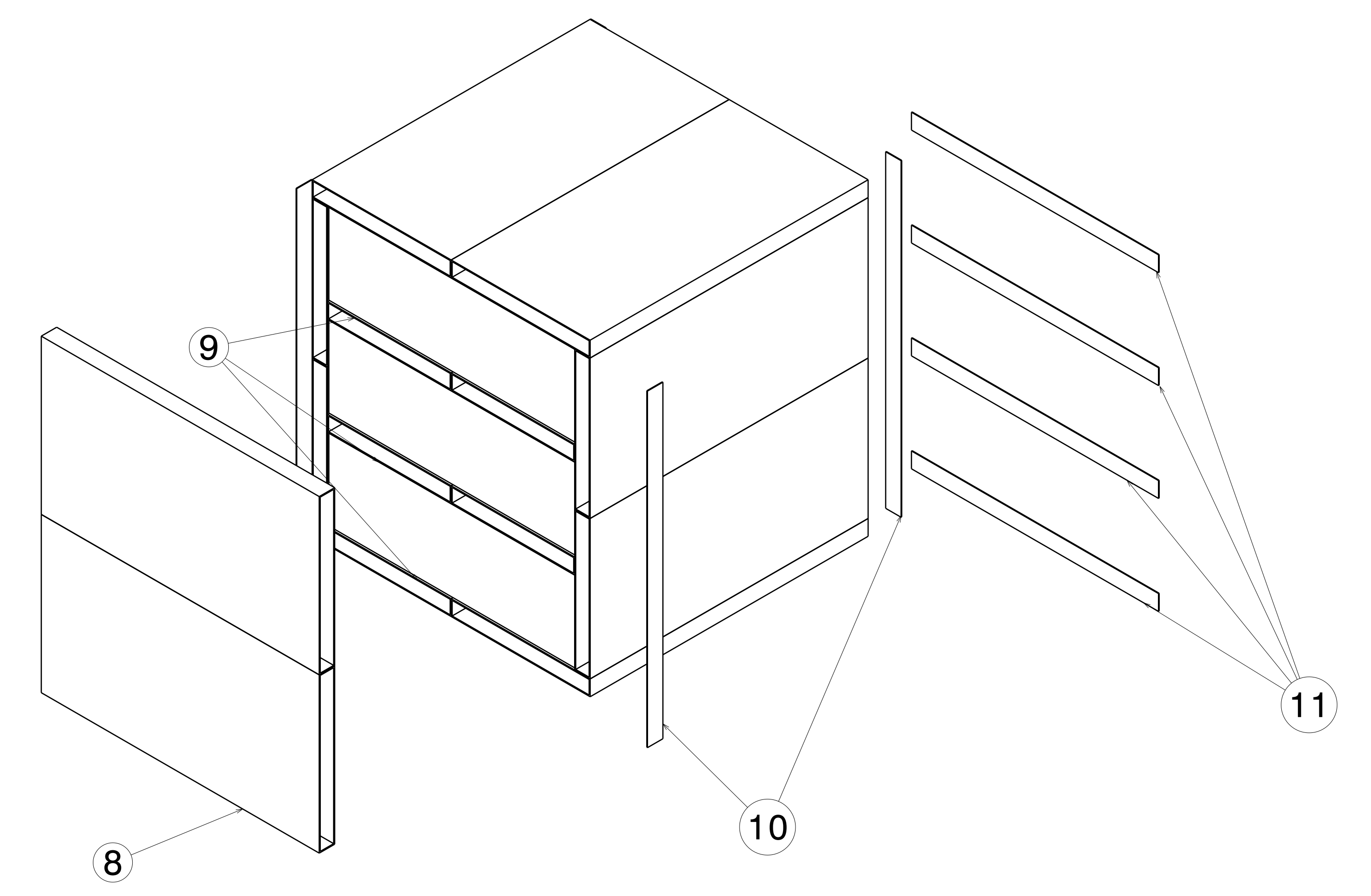


REV/DATE	DESCRIPTION
00 / 28JUL2020	INITIAL REVISION

- NOTES:
- (⊥) ALL VERTICAL SUPPORTS ARE PERPENDICULAR.
 - FLATNESS OF .5MM IS APPLIED BY DEFAULT.
 - ⊲ WELD BEAD OF 2MM RADIUS IS FOLLOWED.
 - ▽ SURFACE FINISH MEDIUM TO SMOOTH IS USED.
 - ALL TUBES ARE AS PER APL APOLLO STANDARD. CHANGES MAY EFFECT THE LOAD CAPACITY.
 - ALL HORIZONTAL AND VERTICAL TUBES ARE PERPENDICULAR TO EACH OTHER WITH ±1 DEG.
 - FINE WELDING IS REQUIRED AS PER MENTIONED DETAILS AND FINISHING.
 - HIGHER CURRENT WELDING MAY AFFECT THE BRITTLENESS OF MATERIAL WHICH LATER MAY RAISE TO WEAKENING OF STRUCTURE.
 - FABRICATORS ARE ALLOWED TO USE FITTINGS/FRAMES/SUPPORTS AS NEEDED AND THE SAME MUST BE COMMUNICATED BACK TO ENGINEERING TEAM.
 - BOP COMPONENT WEIGHTS ARE FOR REFERENCE ONLY AND SUBJECTED TO CHANGE PER PURCHASED COMPONENTS.



Isometric view



Only Drawer section highlighting Item 9, Plank Item 10 & 11 Strip

ITEM NO.	PART NUMBER	DESCRIPTION	QTY.	Wt (Kg)/Each
12	DRAWER SET - BOP 3	AS PER VIEW	3	6.3
11	RECT STRIP - BOP 2	25 X 1 X 400	4	0.08
10	RECT STRIP - BOP 1	25 X 1 X 500	4	0.1
9	MAY 25 DRAWER PLANK 3	200 X 25 X 1.6 X 450	6	2.5
8	MAY 25 DRAWER PLANK 2	250 X 25 X 1.6 X 450	2	3.08
7	MAY 25 DRAWER PLANK 1	225 X 25 X 1.6 X 450	8	2.8
6	MAY 25 PLANK 1	250 X 25 X 1.6 X 950	4	6.5
5	MAY 25 TUBE 5	DIA 33.8 X 2.6 X 1250	2	2.16
4	MAY 25 TUBE 4	DIA 26.9 X 2.3 X 450	1	0.63
3	MAY 25 TUBE 3	DIA 26.9 X 2.3 X 900	1	1.26
2	MAY 25 TUBE 2	DIA 26.9 X 2.3 X 750	2	0.98
1	MAY 25 TUBE 1	DIA 26.9 X 2.3 X 2000	2	3

This drawing is our property. It can't be reproduced or communicated without our written agreement.

APL APOLLO TUBES LTD.

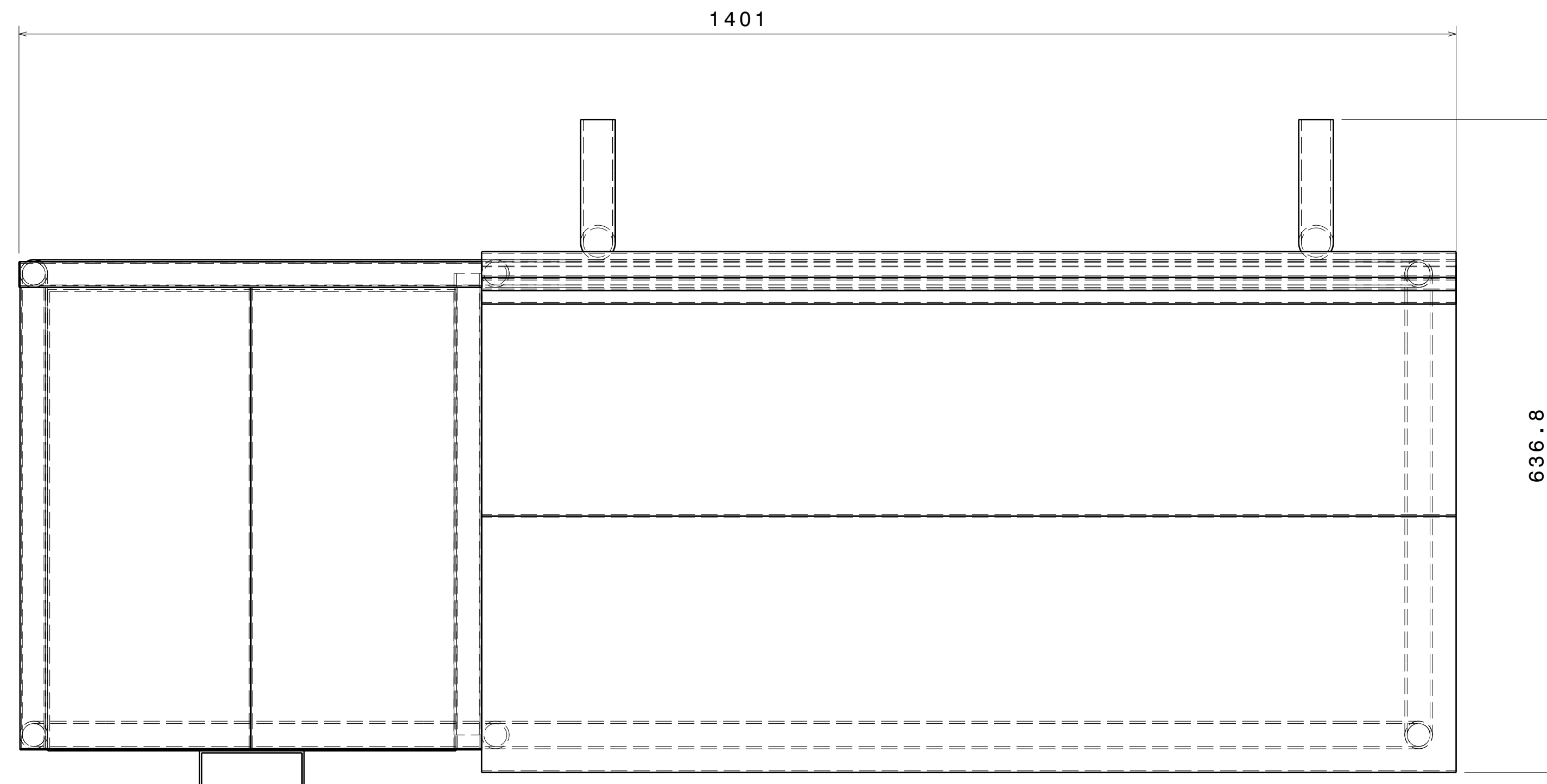
DRAWING TITLE: **MAY 25**

DRAWN BY: SB	DATE: 28JUL2020	CHECKED BY: P2P Analysis & Solutions	DATE: 28JUL2020	DESIGNED BY: P2P Analysis & Solutions	DATE: 28JUL2020
--------------	-----------------	--------------------------------------	-----------------	---------------------------------------	-----------------

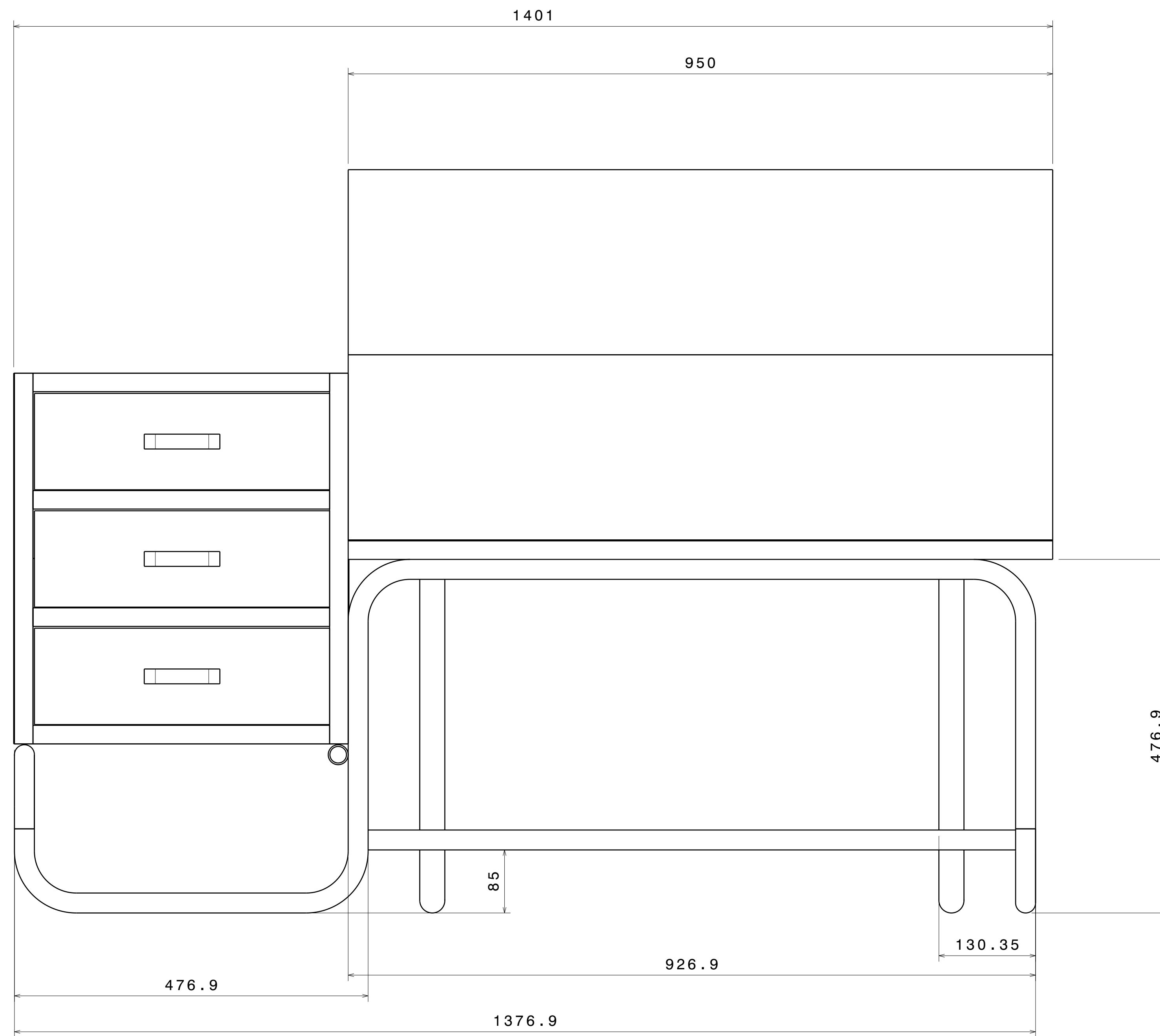
SIZE: A0	DRAWING NUMBER: P2P MAY 25	REV: 00
SCALE: As Indicated	WEIGHT(kg): 0kg	SHEET 1 OF 3

UNLESS OTHERWISE SPECIFIED DIMENSION ARE IN MM VIEWS: THIRD ANGLE PROJECTION

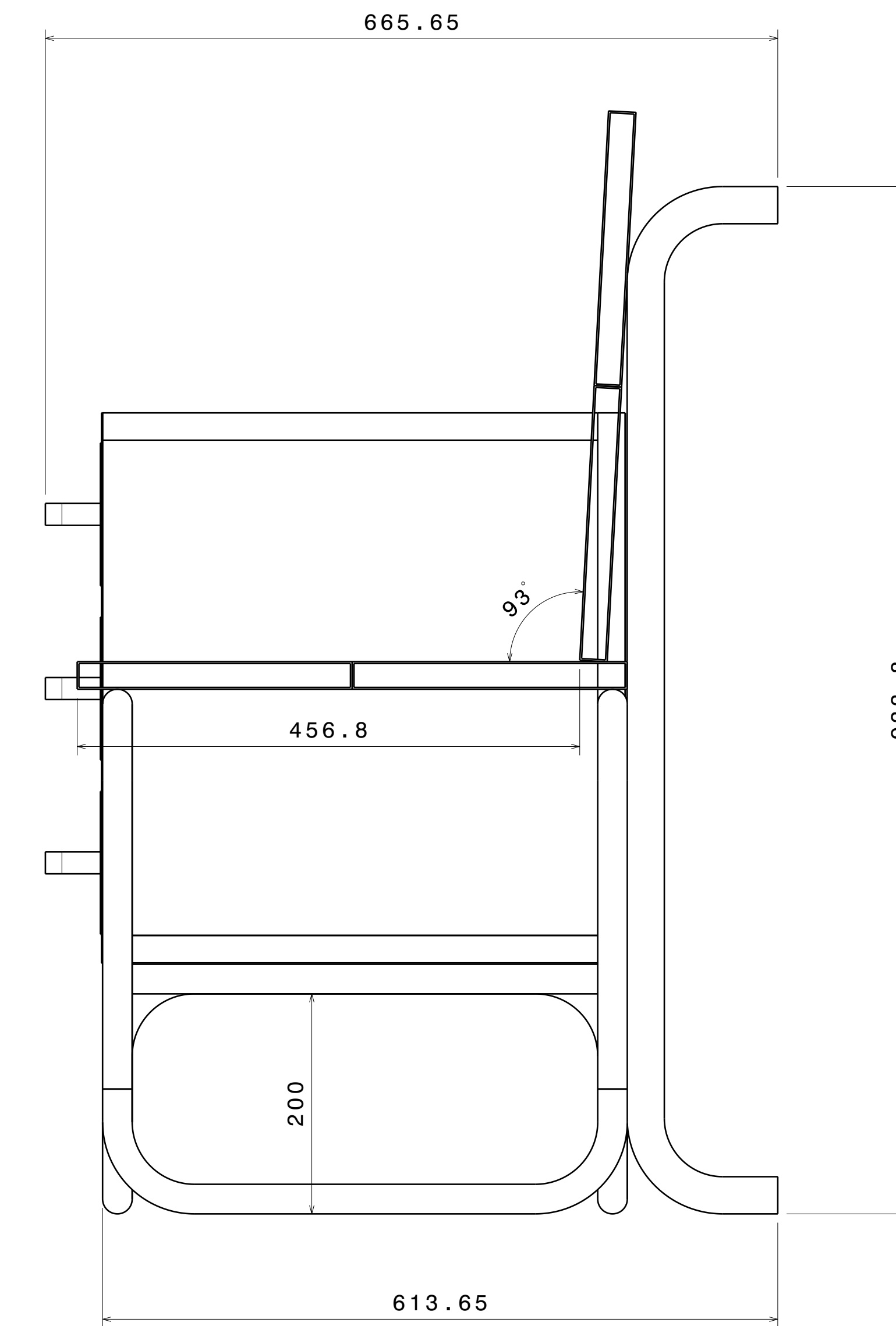
REV	DATE	DESCRIPTION
00	28JUL2020	INITIAL REVISION



Top view
Scale: 1:4

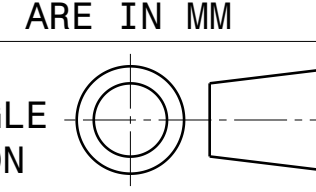



Front view
Scale: 1:4



Right view
Scale: 1:4

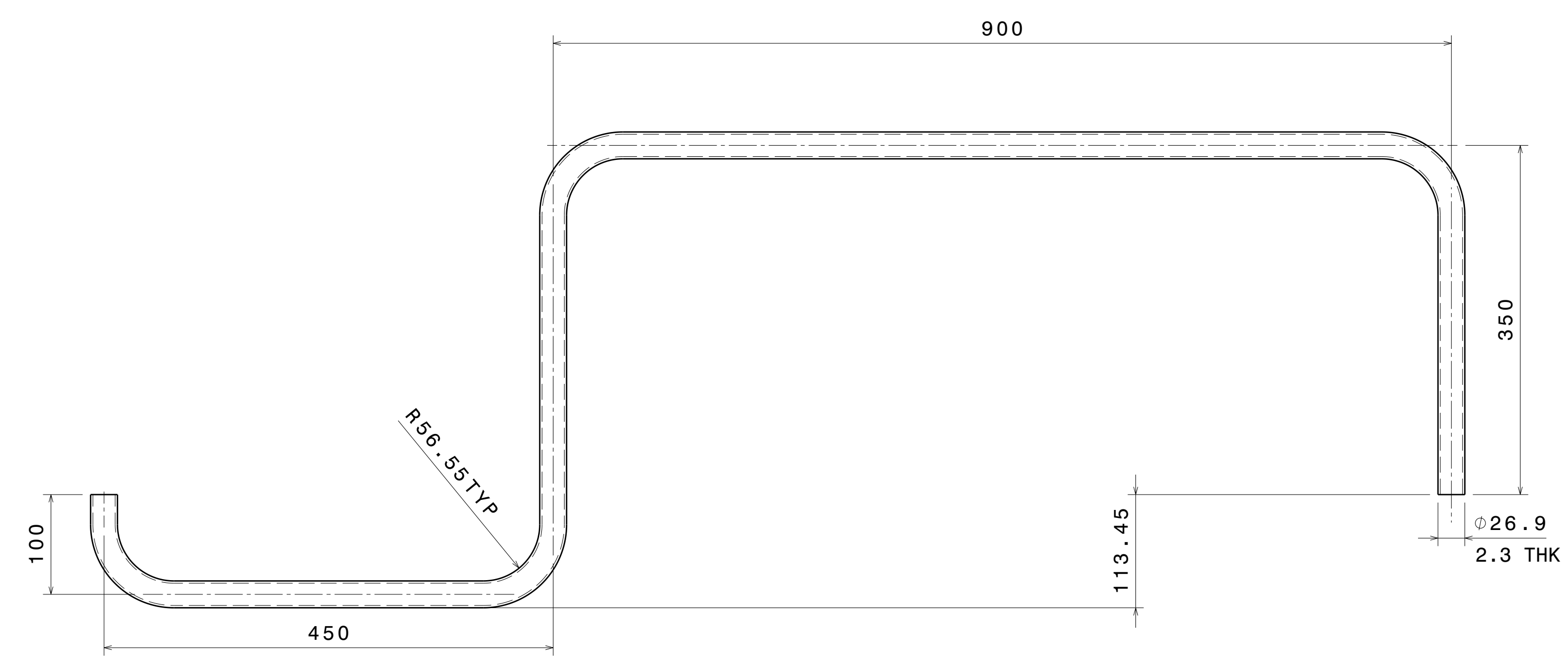
UNLESS OTHERWISE SPECIFIED DIMENSION ARE IN MM
VIEWS: THIRD ANGLE PROJECTION



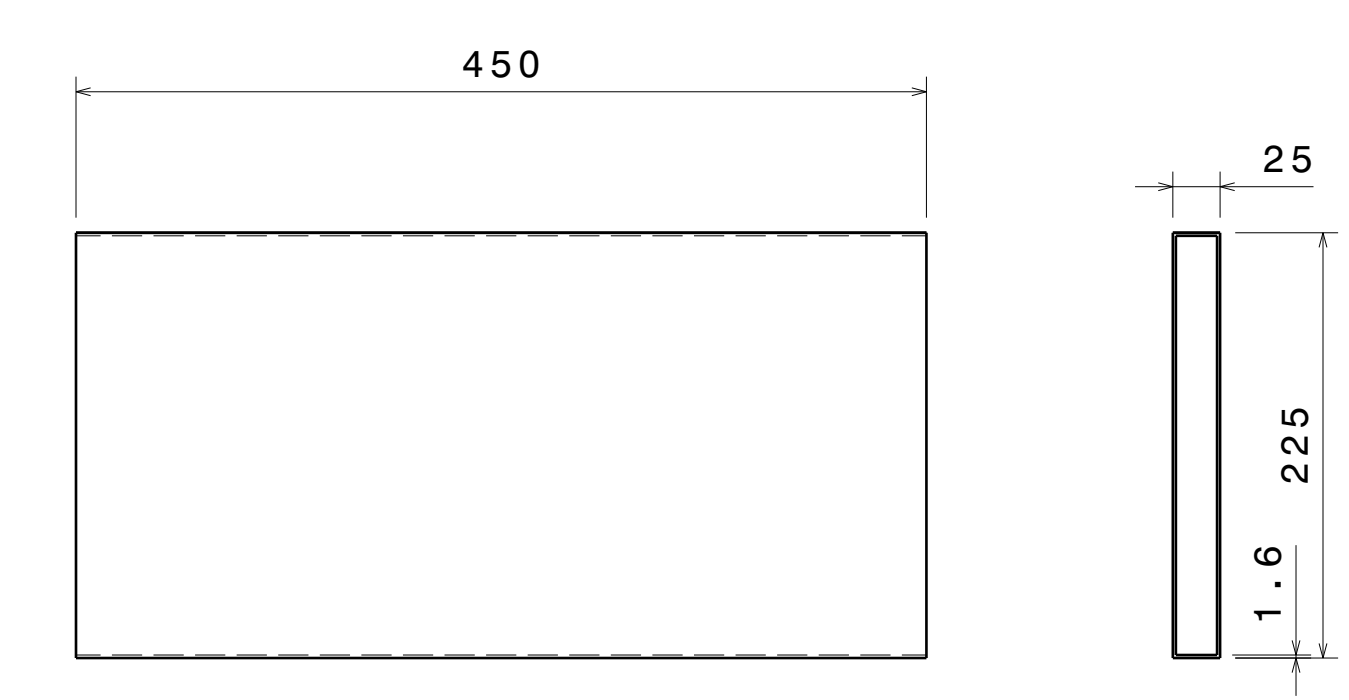
This drawing is our property. It can't be reproduced or communicated without our written agreement.		APL APOLLO TUBES LTD. 	
DRAWN BY SB		DATE 28JUL2020	
CHECKED BY P2P Analysis & Solutions		DATE 28JUL2020	
DESIGNED BY P2P Analysis & Solutions		DATE 28JUL2020	
SIZE A0	DRAWING NUMBER P2P MAY 25	REV 00	
SCALE NONE	WEIGHT (kg) XXX	SHEET 2 OF 3	

DRAWING TITLE
MAY 25

REV/DATE	DESCRIPTION
00 28JUL2020	INITIAL REVISION

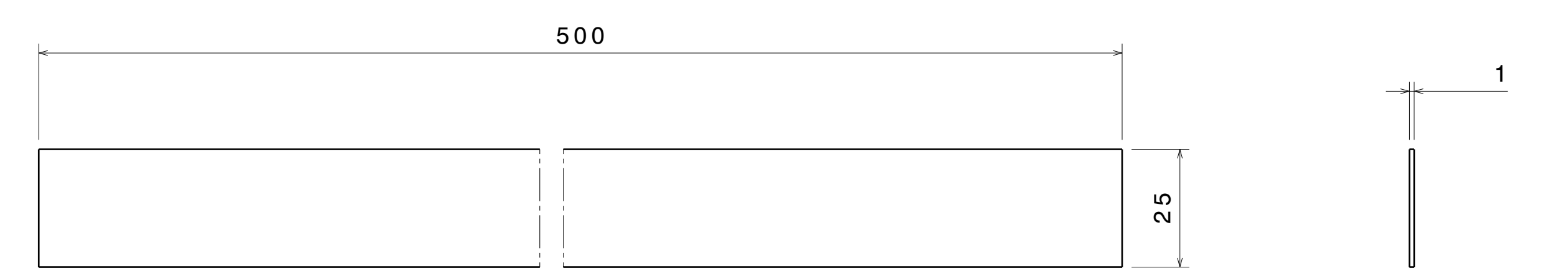


ITEM 1



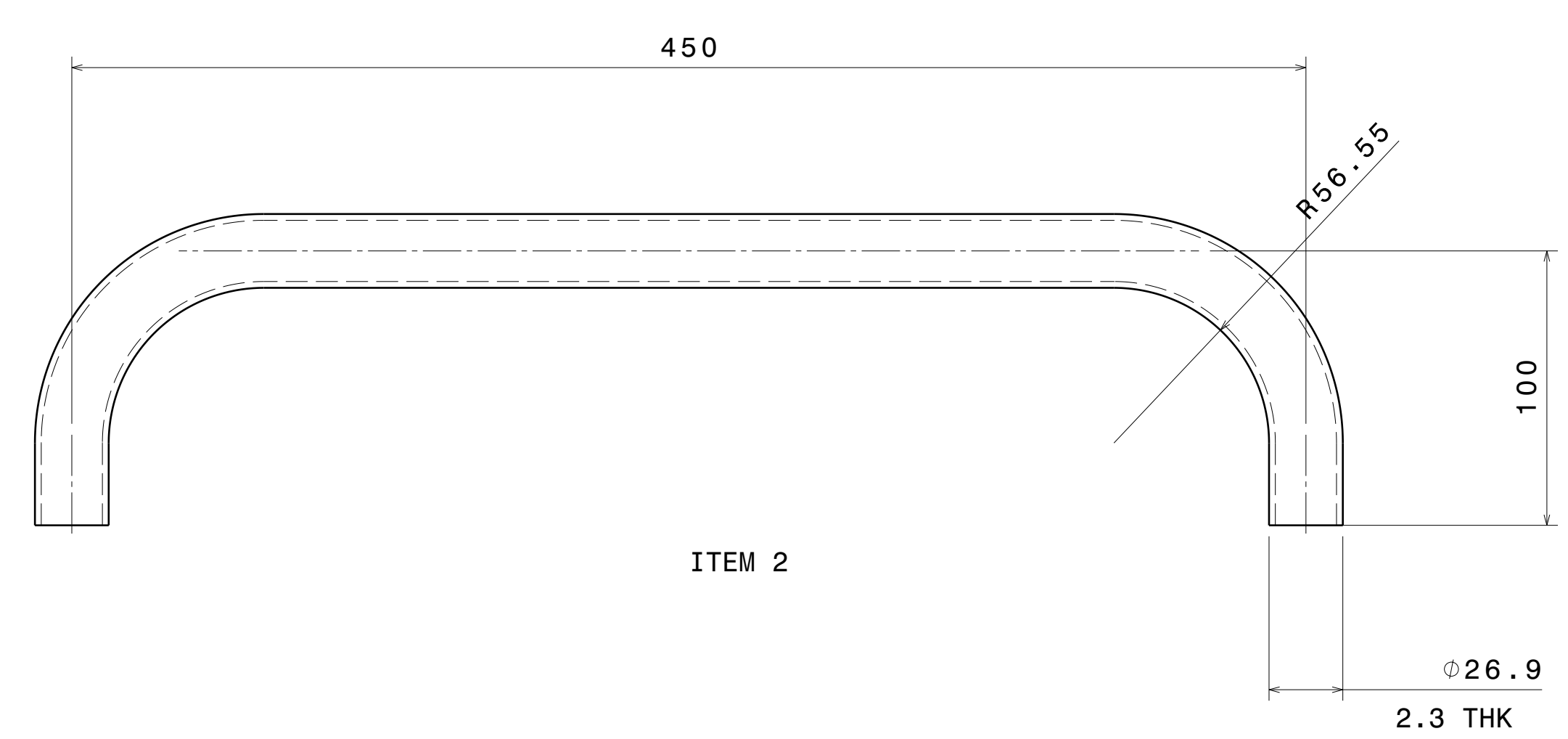
ITEM 7

Right view
Scale: 1:4

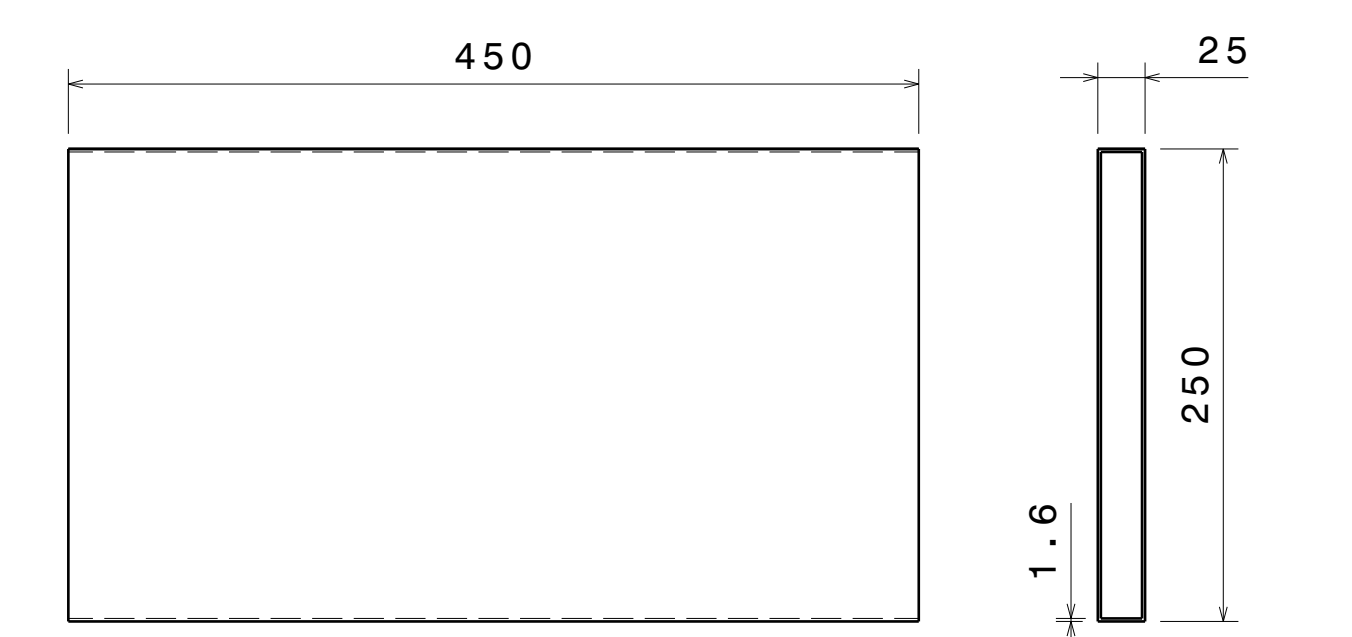


ITEM 10

Right view
Scale: 1:1

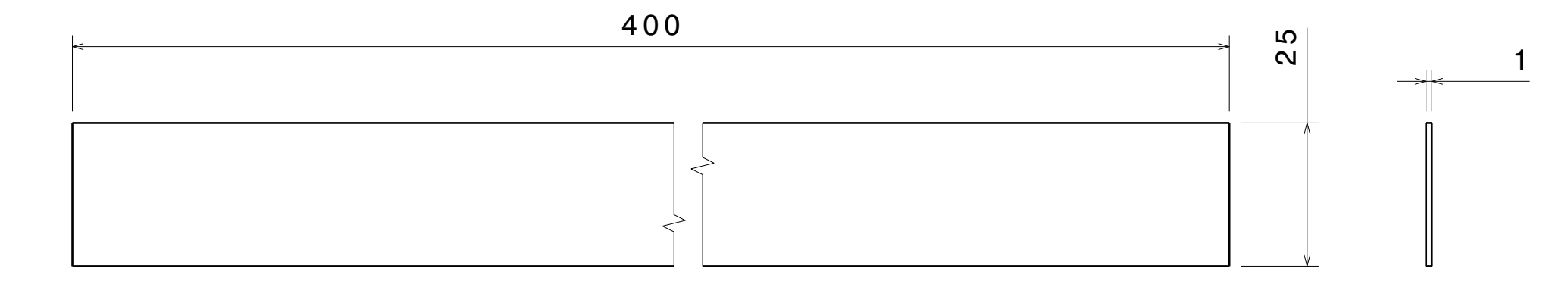


ITEM 2



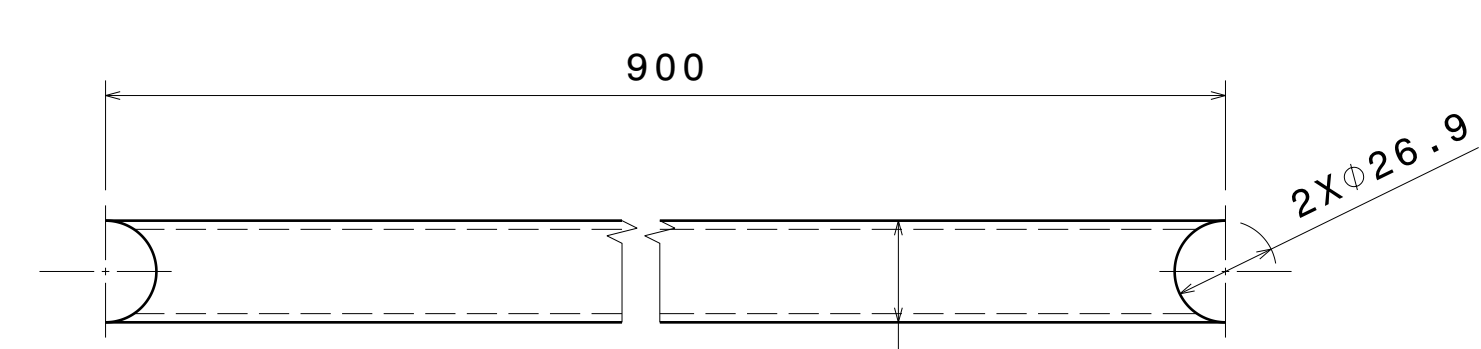
ITEM 8

Right view
Scale: 1:4

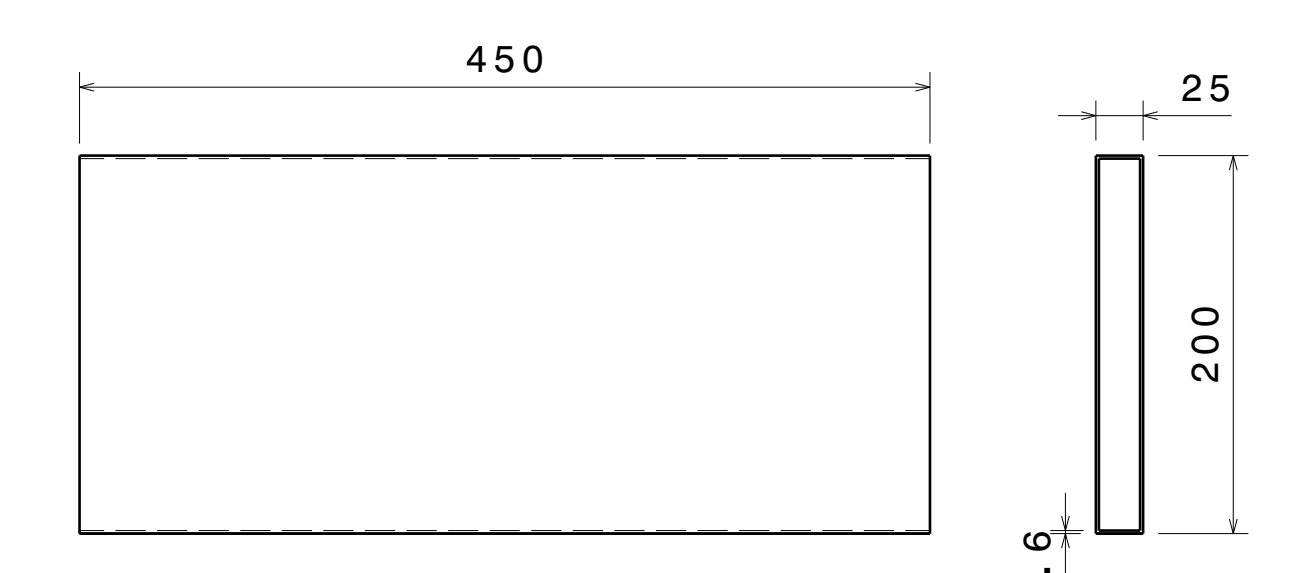


ITEM 11

Right view
Scale: 1:1

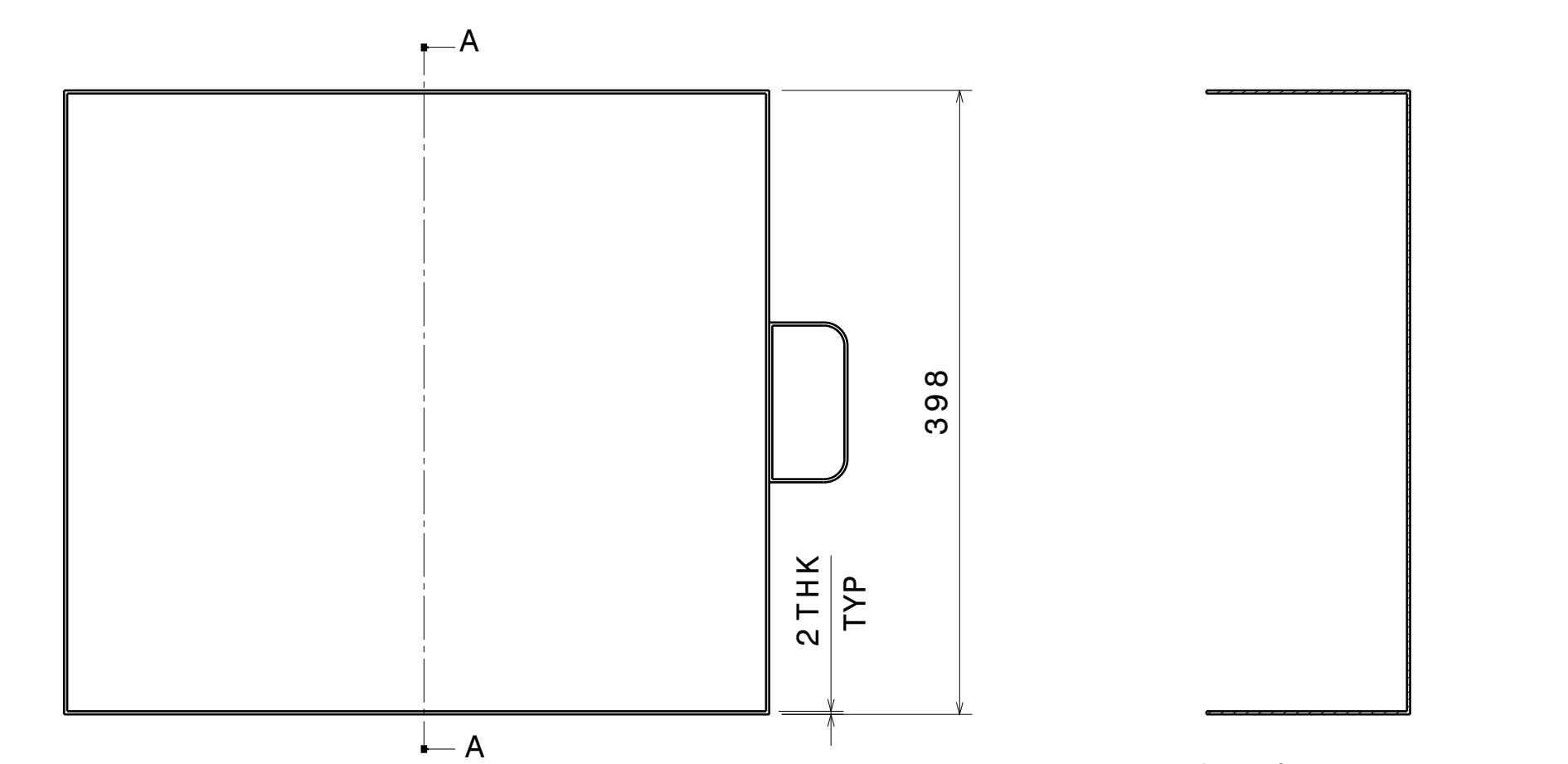


ITEM 3



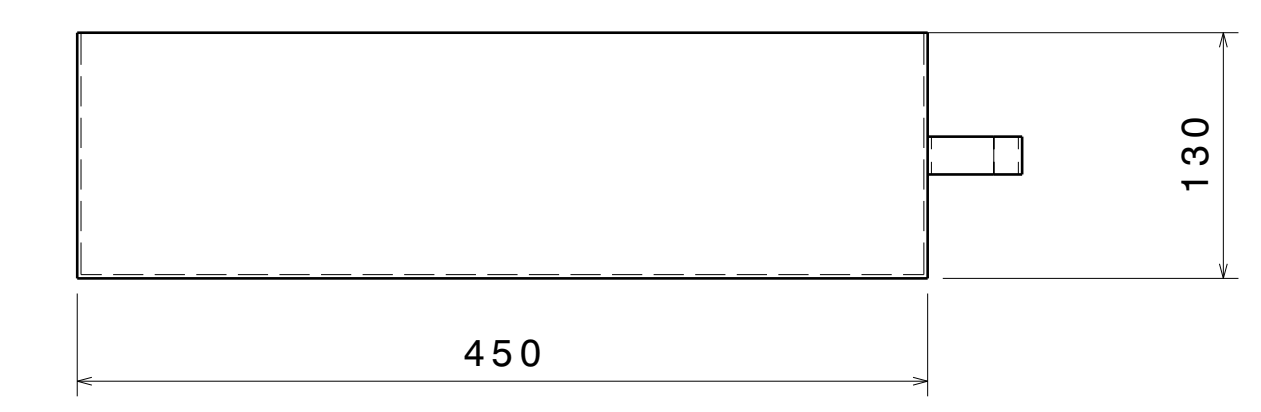
ITEM 9

Right view
Scale: 1:4

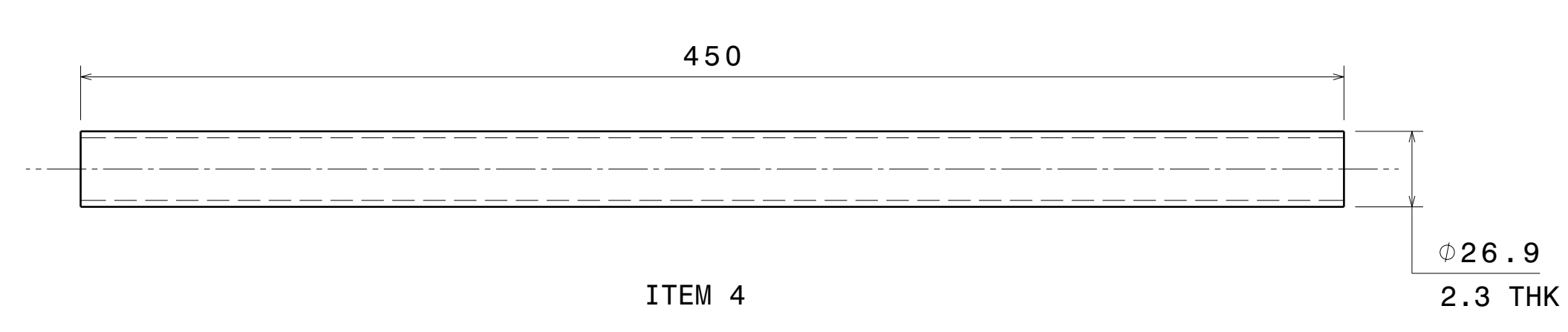


ITEM 12

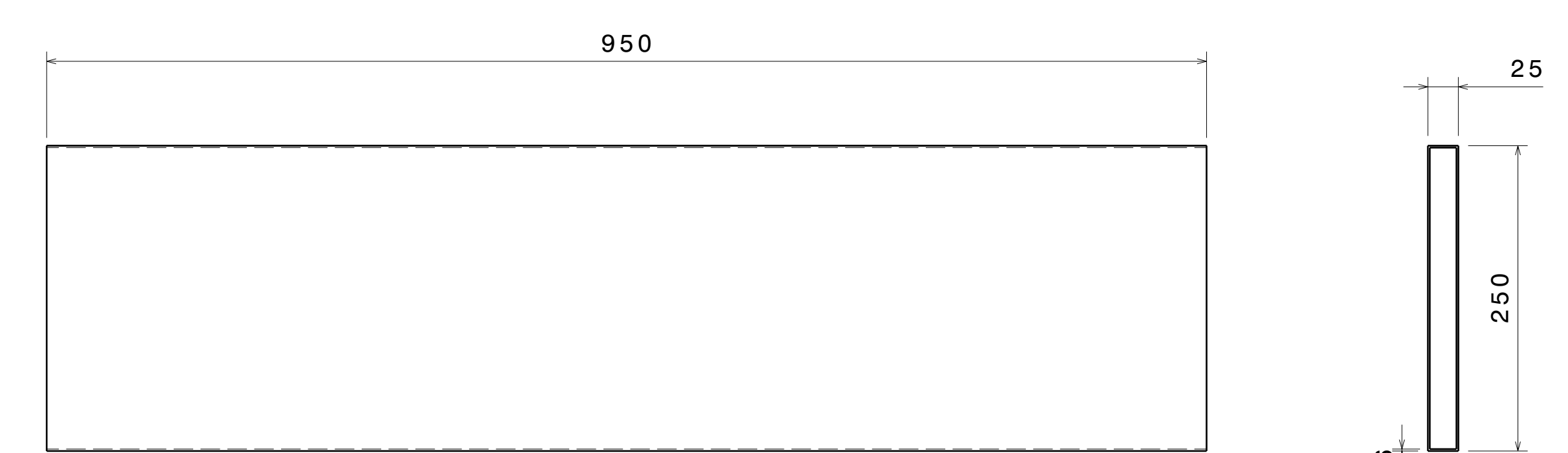
Section cut A-A
Scale: 1:4



Bottom view
Scale: 1:4

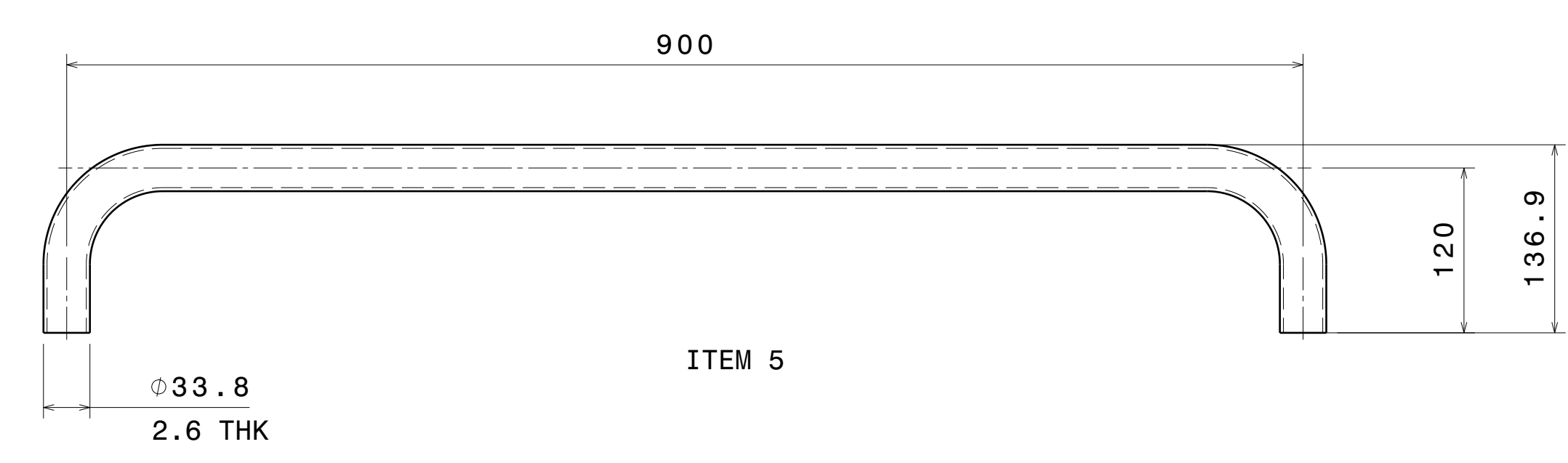


ITEM 4



ITEM 6

Right view
Scale: 1:4



ITEM 5

This drawing is our property. It can't be reproduced or communicated without our written agreement.		APL APOLLO TUBES LTD.	
DRAWN BY SB		DATE 28JUL2020	
CHECKED BY P2P Analysis & Solutions		DATE 28JUL2020	
DESIGNED BY P2P Analysis & Solutions		DATE 28JUL2020	
SIZE A0	DRAWING NUMBER P2P MAY 25	REV 00	
SCALE NONE	WEIGHT (kg) XXX	SHEET 3 OF 3	

UNLESS OTHERWISE SPECIFIED DIMENSION ARE IN MM VIEWS: THIRD ANGLE PROJECTION