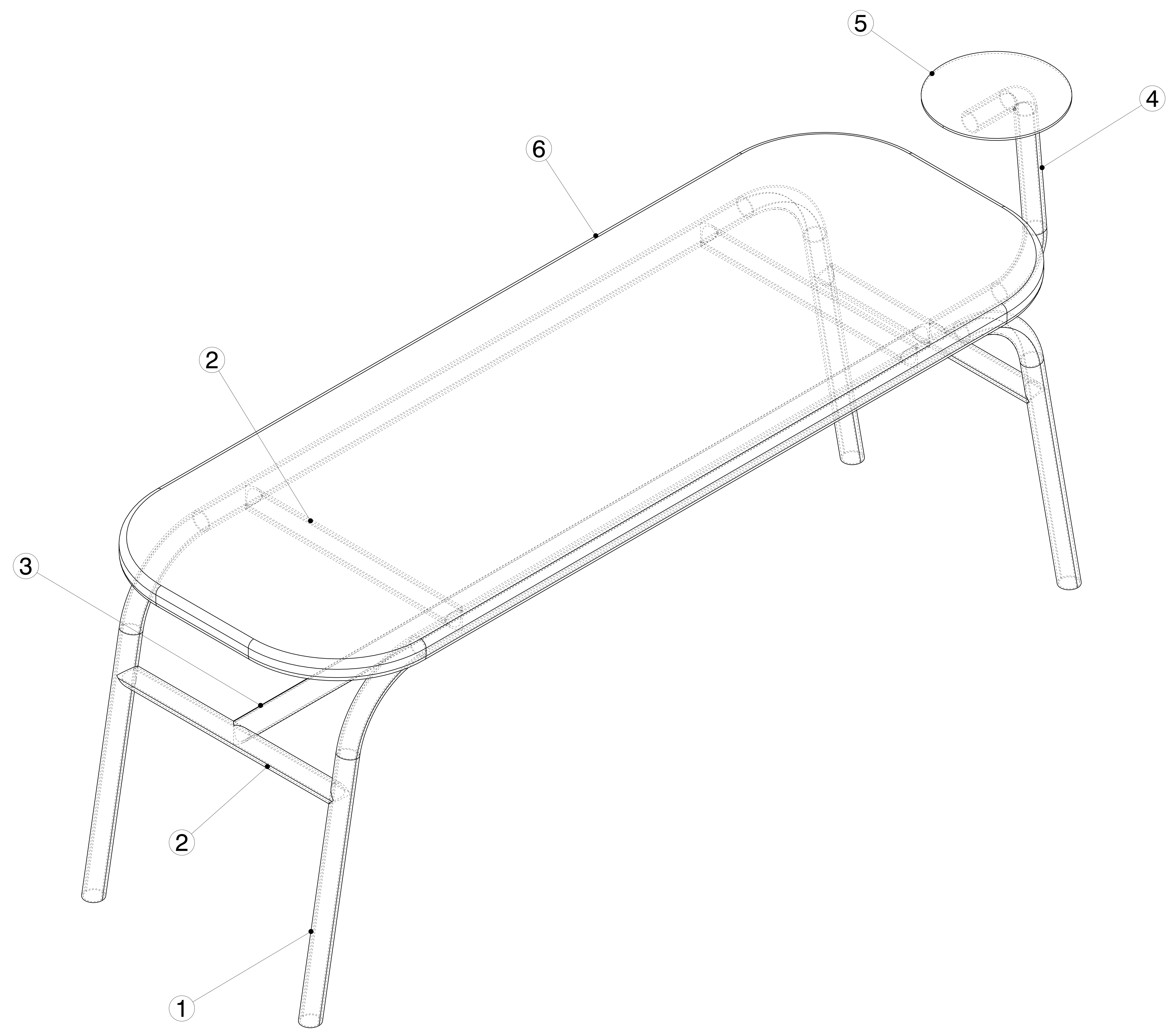
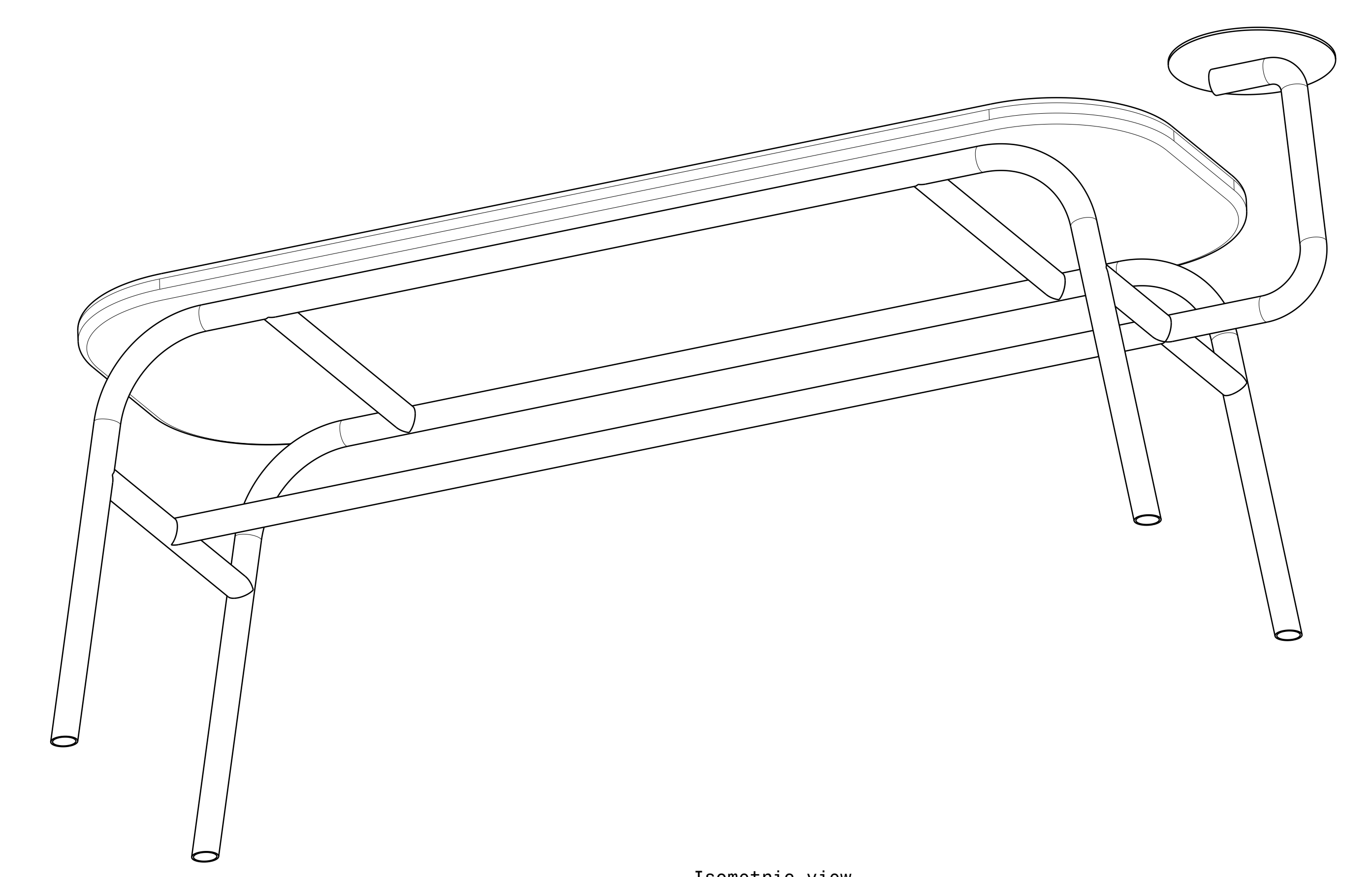


REV/DATE	DESCRIPTION
00 / 28MAY2020	INITIAL REVISION

- NOTES:
- (⊥) ALL VERTICAL SUPPORTS ARE PERPENDICULAR.
 - FLATNESS OF .5MM IS APPLIED BY DEFAULT.
 - ⊲ WELD BEAD OF 2MM RADIUS IS FOLLOWED.
 - ▽▽ SURFACE FINISH MEDIUM TO SMOOTH IS USED.
 - ALL TUBES ARE AS PER APL APOLLO STANDARD. CHANGES MAY EFFECT THE LOAD CAPACITY.
 - ALL HORIZONTAL AND VERTICAL TUBES ARE PERPENDICULAR TO EACH OTHER WITH ±1 DEG.
 - FINE WELDING IS REQUIRED AS PER MENTIONED DETAILS AND FINISHING.
 - HIGHER CURRENT WELDING MAY AFFECT THE BRITTLENESS OF MATERIAL WHICH LATER MAY RAISE TO WEAKENING OF STRUCTURE.
 - FABRICATORS ARE ALLOWED TO USE FITTINGS/FRAMES/SUPPORTS AS NEEDED AND THE SAME MUST BE COMMUNICATED BACK TO ENGINEERING TEAM.
 - LENGTH OF ALL LONGITUDINAL FRAMES ARE FOR REFERENCE ONLY AND SUBJECTED TO CHANGE PER REQUIREMENT.




Isometric view
Scale: 3:10

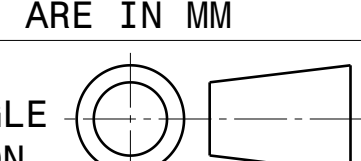


Isometric view
Scale: 3:20

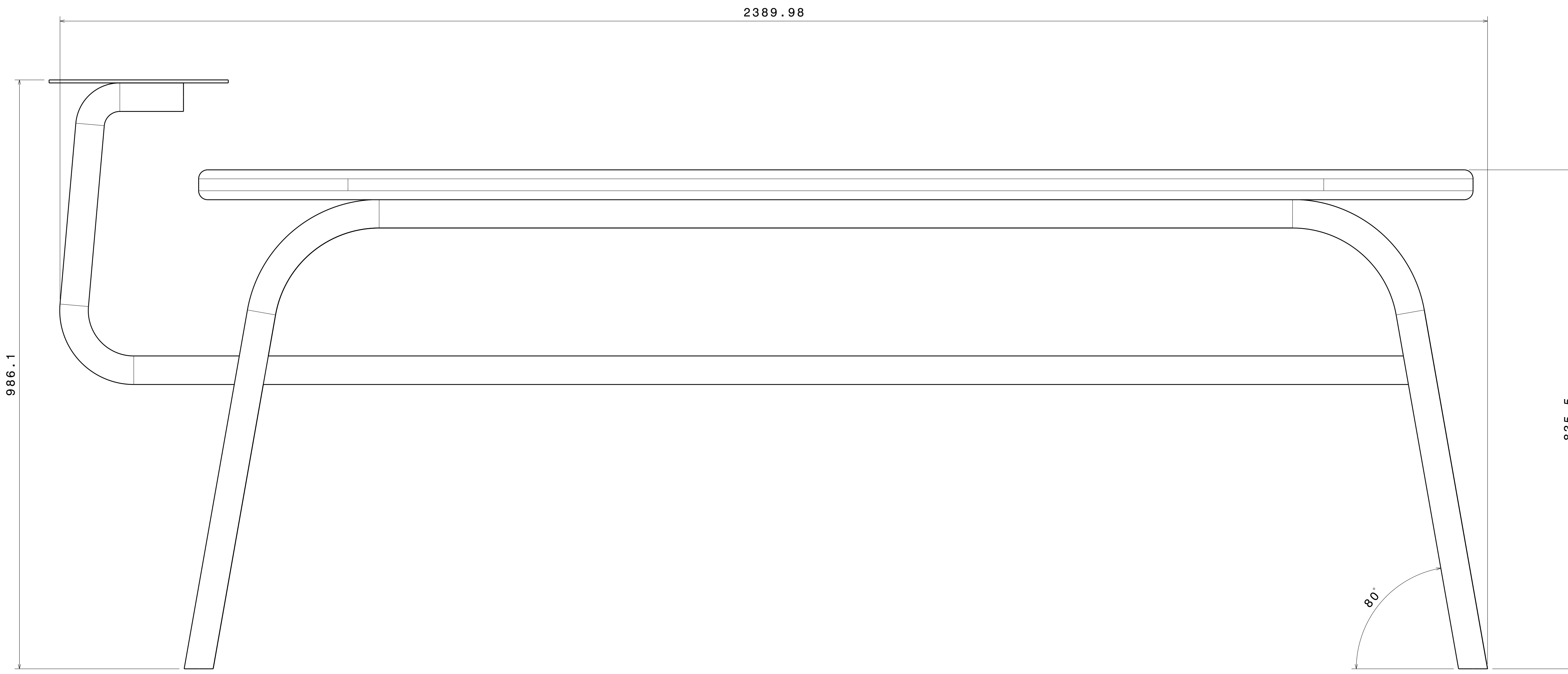
ITEM NO.	PART NUMBER	DESCRIPTION	QTY.	Wt (kg)/Each
7	Foam Plate 1-BOP	60 X 40 X 2.6 X 762	1	--
6	Circular Plate 1-BOP	60 X 40 X 2.6 X 1220	1	2.8
5	May 3 Frame 5	DIA 47.8 X 3.2 THK	1	3
3	May 3 Frame 3	DIA 47.8 X 3.2 THK	1	6.8
2	May 3 Frame 2	DIA 47.8 X 3.2 THK	4	2.05
1	May 3 Frame 1	DIA 47.8 X 3.2 THK	2	11.7

This drawing is our property. It can't be reproduced or communicated without our written agreement.		APL APOLLO TUBES LTD. 	
DRAWN BY SB		DATE 28MAY2020	
CHECKED BY P2P Analysis & Solutions		DATE 28MAY2020	
DESIGNED BY P2P Analysis & Solutions		DATE 28MAY2020	
DRAWING TITLE MAY 3		SIZE A0	DRAWING NUMBER P2P MAY 3
SCALE As Indicated		WEIGHT (kg) 0kg	REV 00

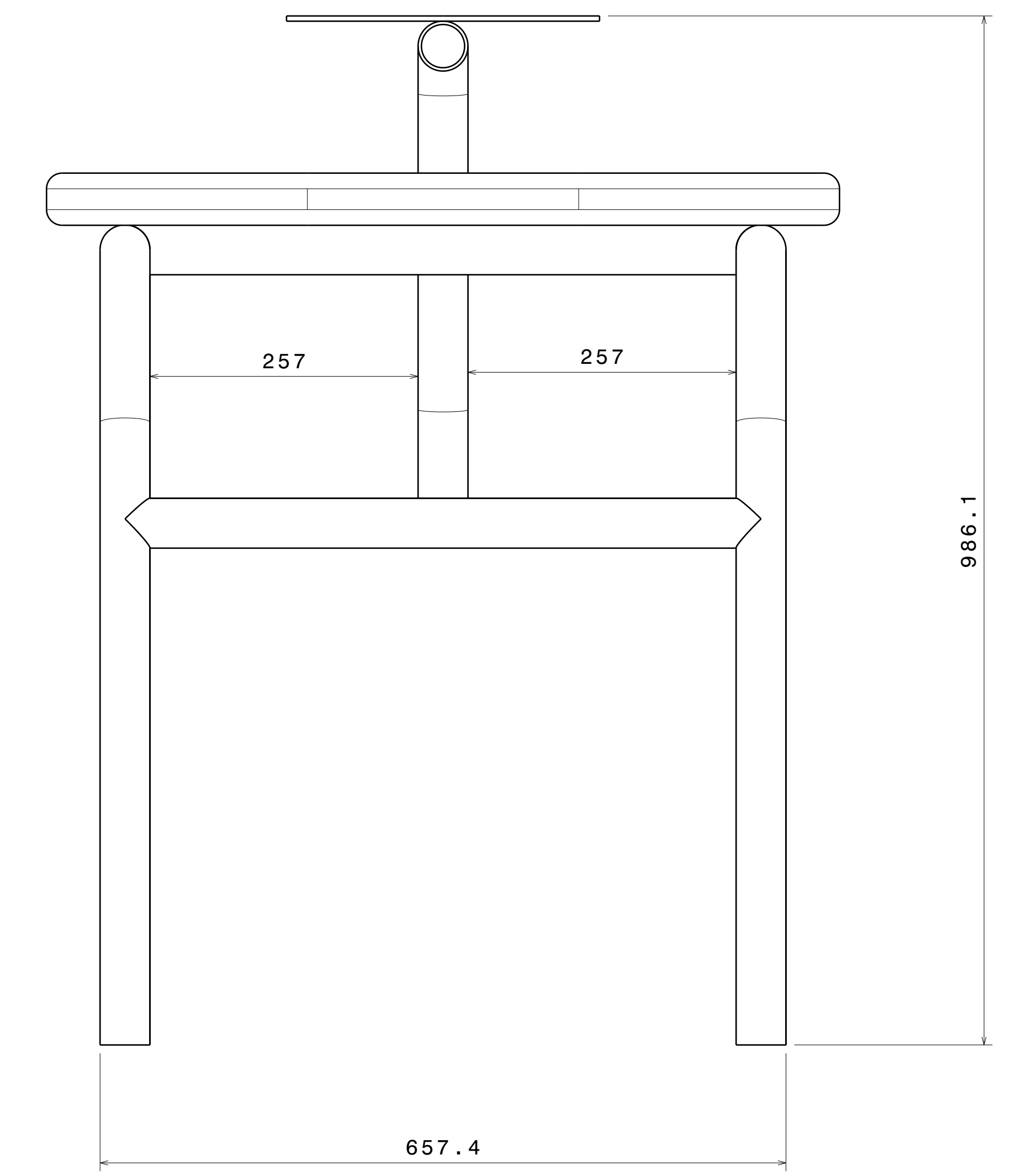
UNLESS OTHERWISE SPECIFIED DIMENSION ARE IN MM
VIEWS: THIRD ANGLE PROJECTION



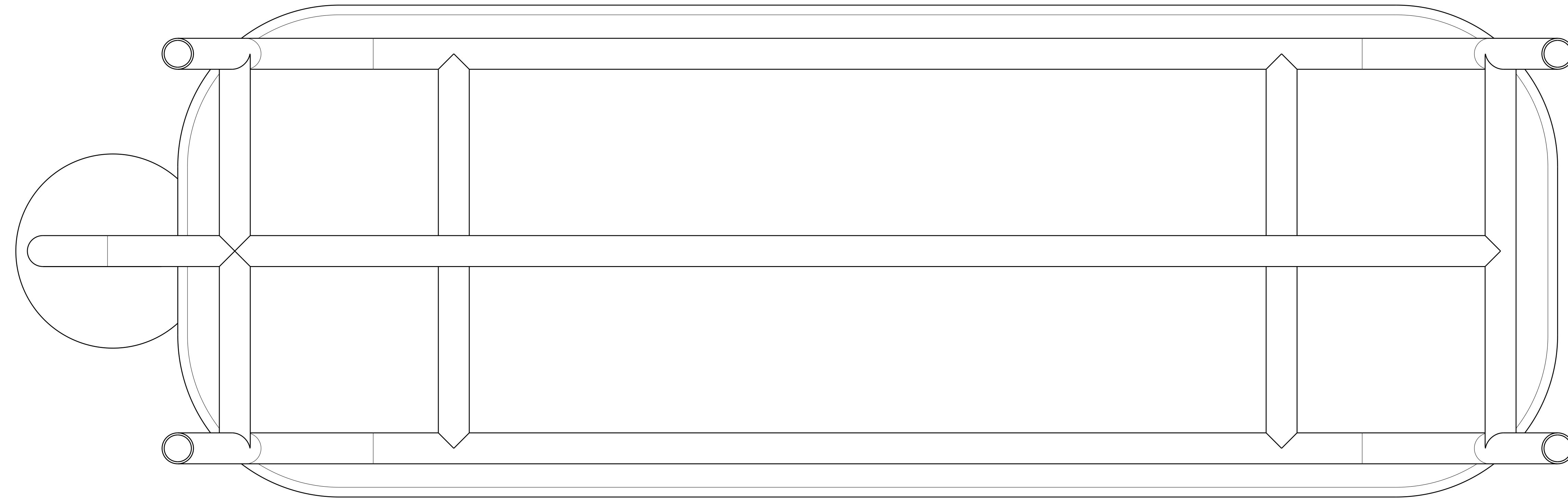
REV	DATE	DESCRIPTION
00	28MAY2020	INITIAL REVISION



Front view
Scale: 1:4

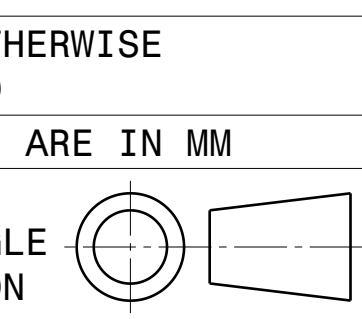



Right view
Scale: 1:4



Bottom view
Scale: 1:4

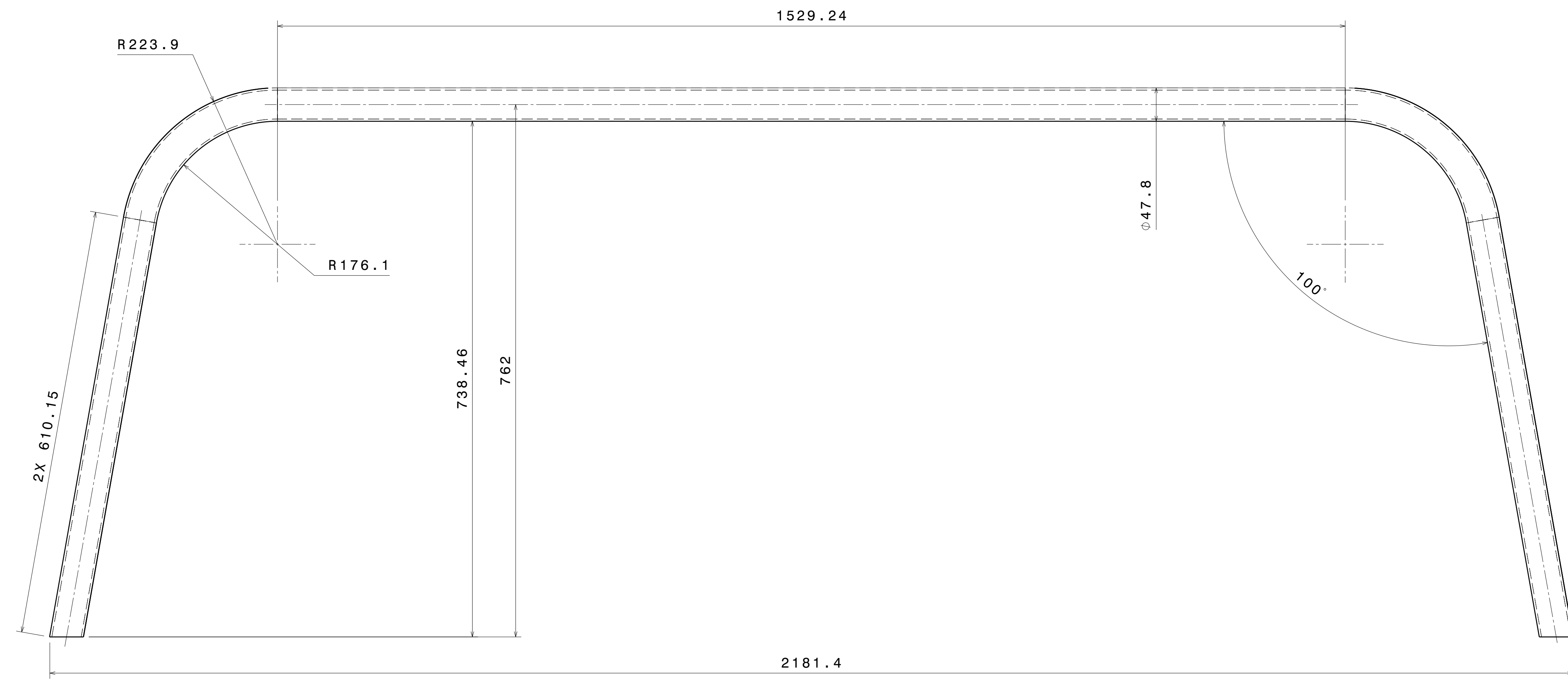
UNLESS OTHERWISE SPECIFIED DIMENSION ARE IN MM
VIEWS: THIRD ANGLE PROJECTION



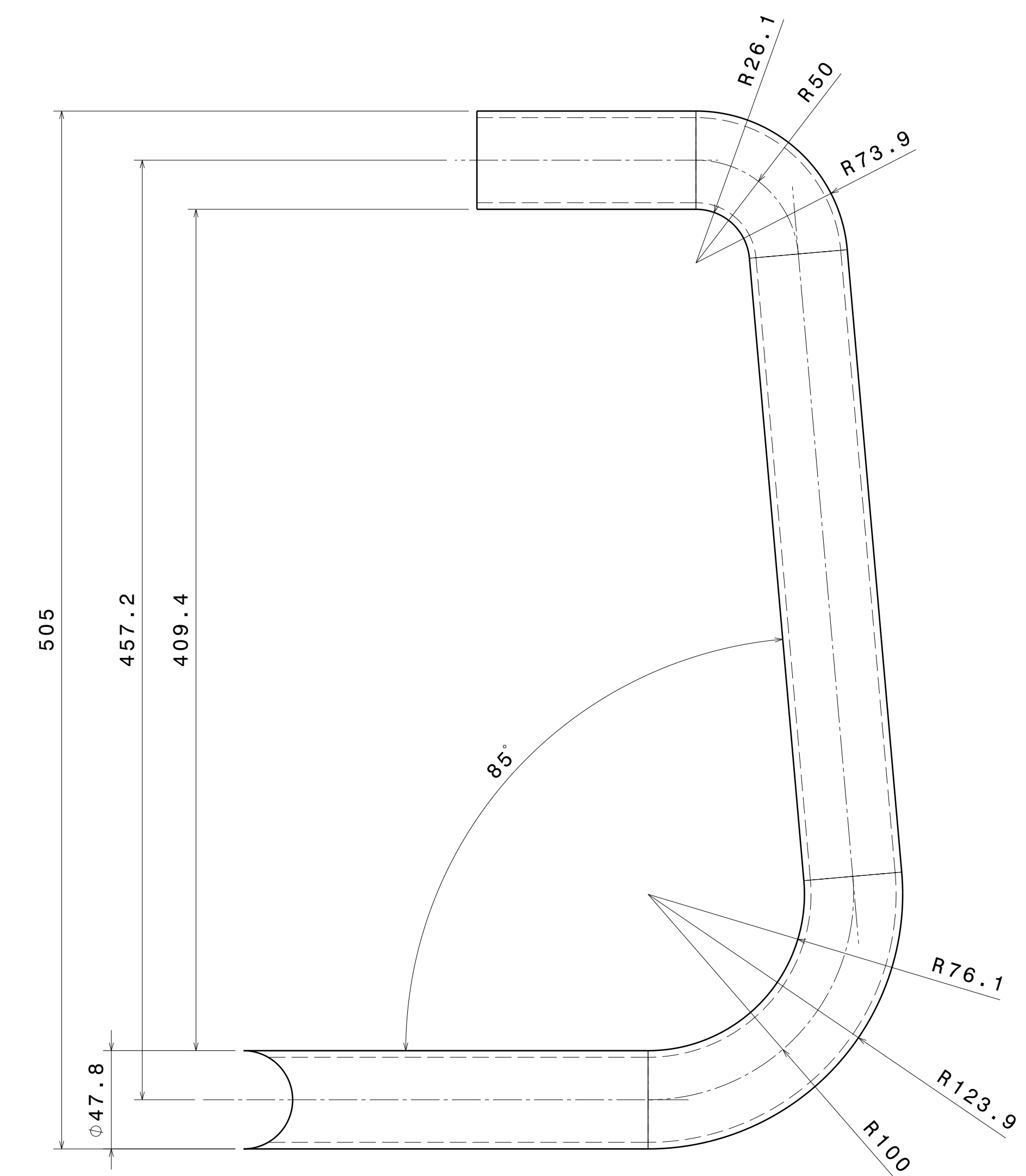
This drawing is our property. It can't be reproduced or communicated without our written agreement.		APL APOLLO TUBES LTD. 	
DRAWN BY SB		DATE 28MAY2020	
CHECKED BY P2P Analysis & Solutions		DATE 28MAY2020	
DESIGNED BY P2P Analysis & Solutions		DATE 28MAY2020	
SIZE A0	DRAWING NUMBER P2P MAY 3	REV 00	
SCALE NONE	WEIGHT (kg) XXX	SHEET 2 OF 3	

DRAWING TITLE
MAY 3

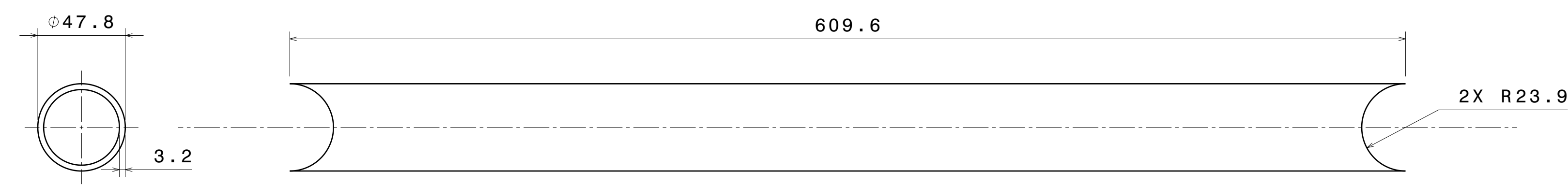
REV	DATE	DESCRIPTION
00	28MAY2020	INITIAL REVISION



ITEM 1

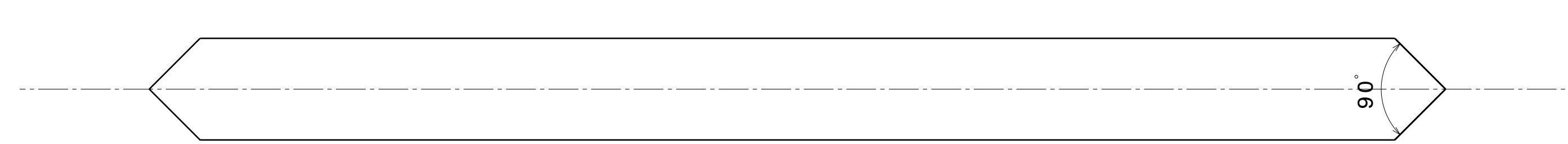


ITEM 4

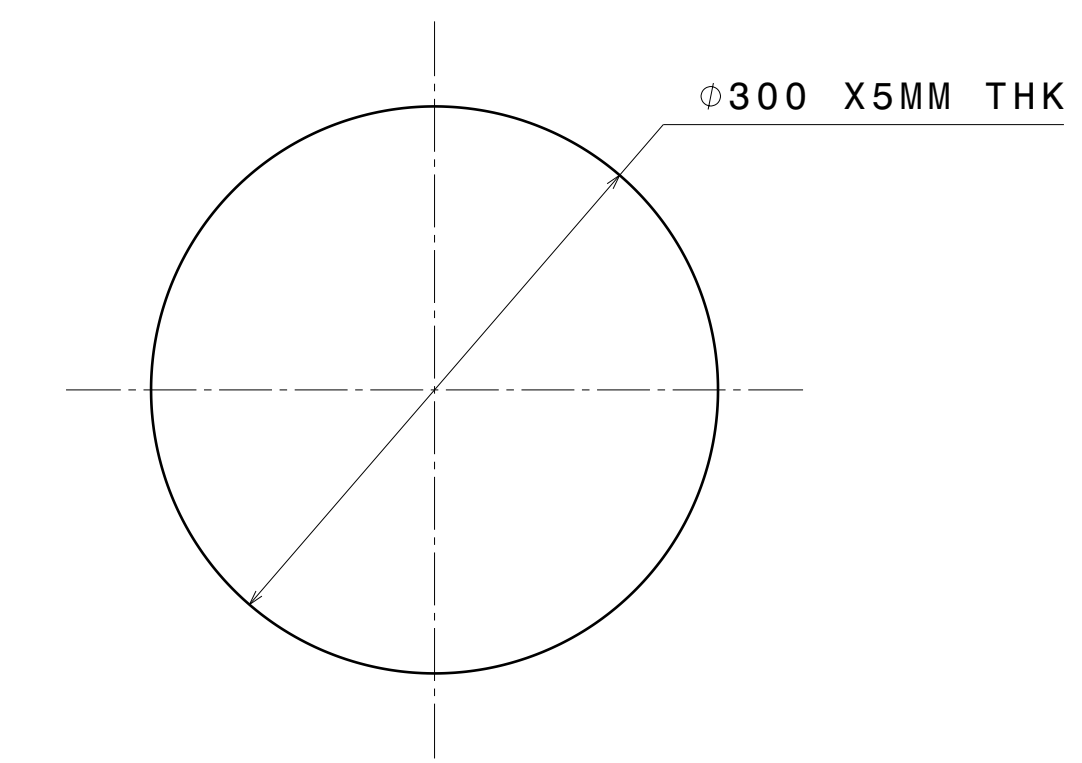


ITEM 2

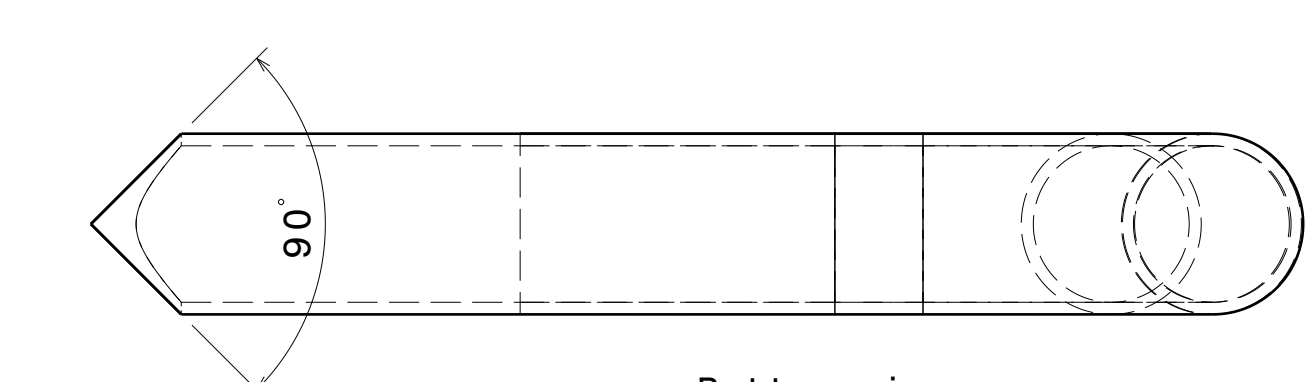
Front view
Scale: 1:2



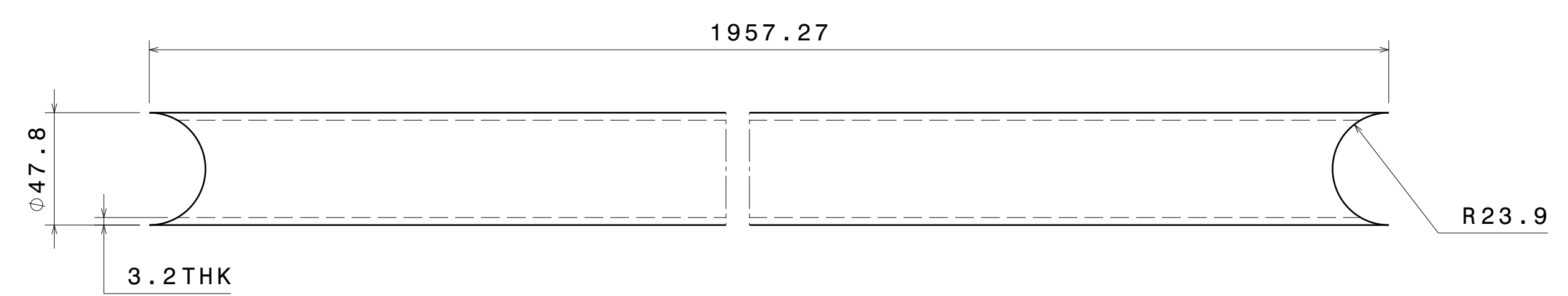
Auxiliary view A
Scale: 1:2



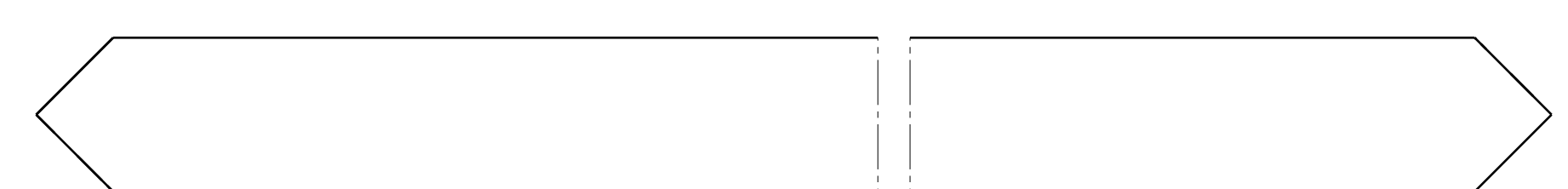
BOP 1,
ITEM 5



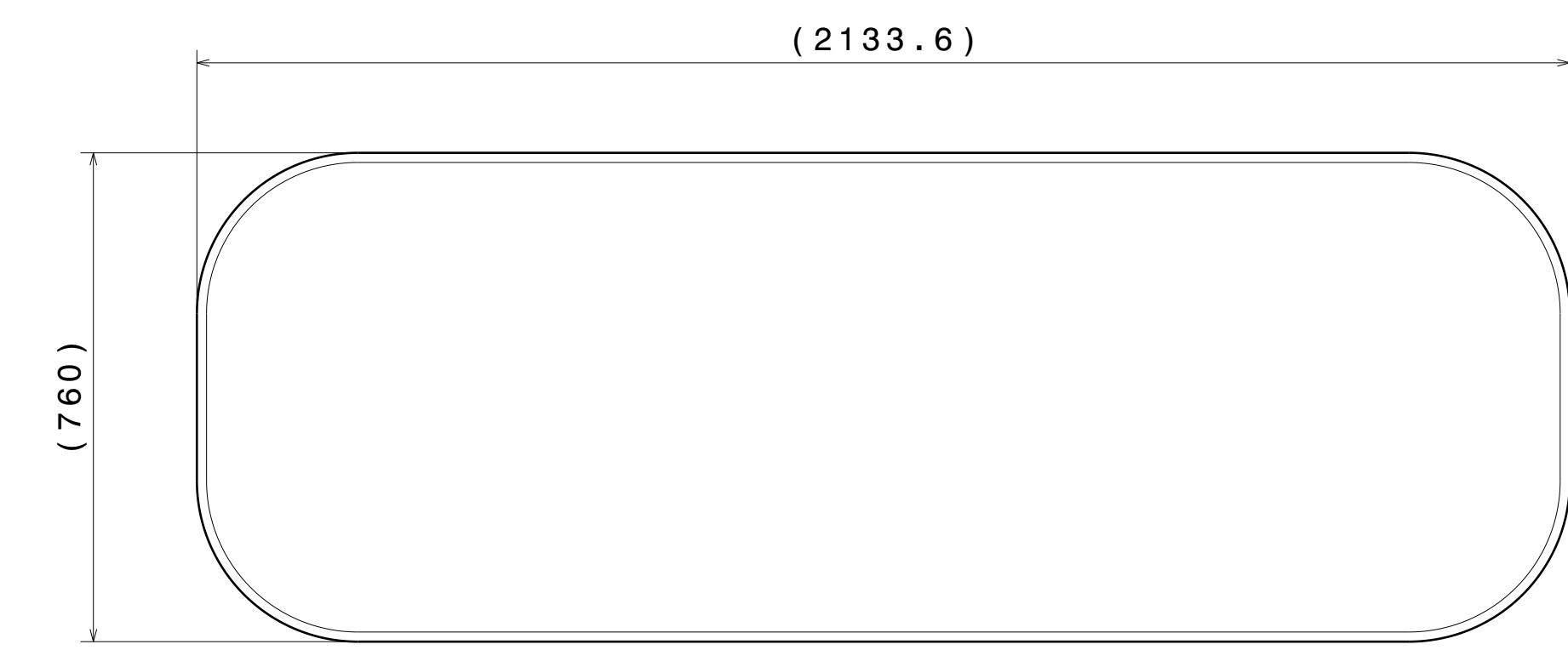
Bottom view
Scale: 1:2



ITEM 3



Bottom view
Scale: 1:2




BOP 2, ITEM 6

UNLESS OTHERWISE SPECIFIED DIMENSION ARE IN MM VIEWS: THIRD ANGLE PROJECTION

This drawing is our property. It can't be reproduced or communicated without our written agreement.

DRAWN BY	DATE
SB	28MAY2020
CHECKED BY	DATE
P2P Analysis & Solutions	28MAY2020
DESIGNED BY	DATE
P2P Analysis & Solutions	28MAY2020

APL APOLLO TUBES LTD. 	
DRAWING TITLE	
MAY 3	
SIZE	DRAWING NUMBER
A0	P2P MAY 3
SCALE	WEIGHT (kg)
NONE	XXX
SHEET 3 OF 3	