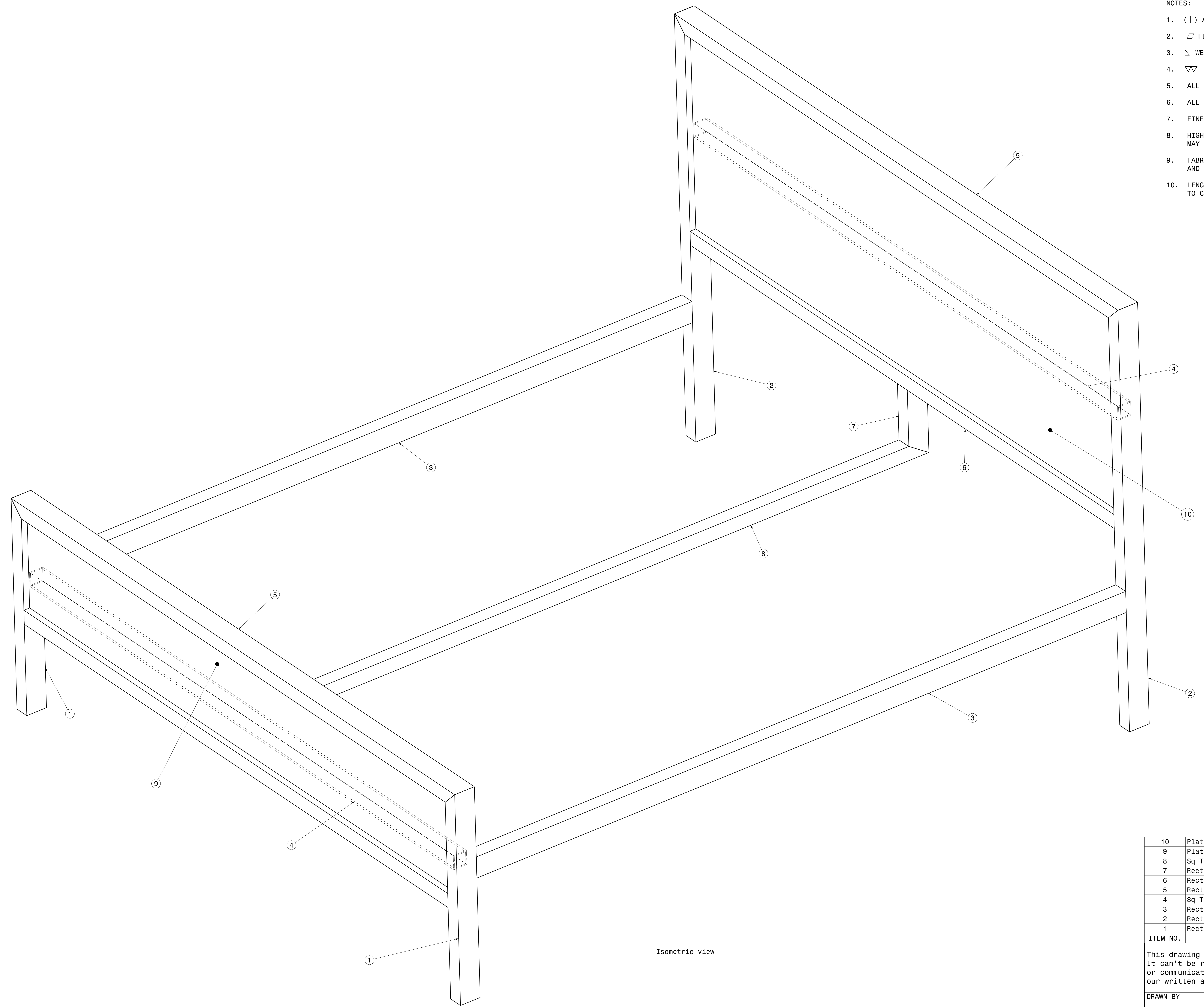


REV	DATE	DESCRIPTION
00	18/04/2020	INITIAL REVISION

NOTES:

1. (⊥) ALL VERTICAL SUPPORTS ARE PERPENDICULAR.
2. □ FLATNESS OF .5MM IS APPLIED BY DEFAULT.
3. ⚡ WELD BEAD OF 2MM RADIUS IS FOLLOWED.
4. ∇ SURFACE FINISH MEDIUM TO SMOOTH IS USED.
5. ALL TUBES ARE AS PER APL APOLLO STANDARD. CHANGES MAY EFFECT THE LOAD CAPACITY.
6. ALL HORIZONTAL AND VERTICAL TUBES ARE PERPENDICULAR TO EACH OTHER WITH ±1 DEG.
7. FINE WELDING IS REQUIRED AS PER MENTIONED DETAILS AND FINISHING.
8. HIGHER CURRENT WELDING MAY AFFECT THE BRITTLENESS OF MATERIAL WHICH LATER MAY RAISE TO WEAKENING OF STRUCTURE.
9. FABRICATORS ARE ALLOWED TO USE FITTINGS/FRAMES/SUPPORTS AS NEEDED AND THE SAME MUST BE COMMUNICATED BACK TO ENGINEERING TEAM.
10. LENGTH OF ALL LONGITUDINAL FRAMES ARE FOR REFERENCE ONLY AND SUBJECTED TO CHANGE PER REQUIREMENT.



Isometric view

ITEM NO.	PART NUMBER	DESCRIPTION	QTY.	Wt (Kg)/Each
10	Plate 2-BOP	1720 X 560, T=2.5	1	18.9
9	Plate 1-BOP	1720 X 260, T=2.5	1	8.8
8	Sq Tube Bed 5 Frame 8	40 X 40 X 2.9 X 2040	1	7.8
7	Rect Tube Bed 5 Frame 7	60 X 40 X 2.9 X 200	1	0.8
6	Rect Tube Bed 5 Frame 6	60 X 40 X 2.9 X 1720	1	7.4
5	Rect Tube Bed 5 Frame 5	60 X 40 X 2.9 X 1800	2	7.6
4	Sq Tube Bed 5 Frame 4	40 X 40 X 2.9 X 1720	3	5.8
3	Rect Tube Bed 5 Frame 3	60 X 40 X 2.9 X 1980	2	8.5
2	Rect Tube Bed 5 Frame 2	60 X 40 X 2.9 X 1200	2	5.1
1	Rect Tube Bed 5 Frame 1	60 X 40 X 2.9 X 600	2	2.5

This drawing is our property. It can't be reproduced or communicated without our written agreement.

APL APOLLO TUBES LTD.

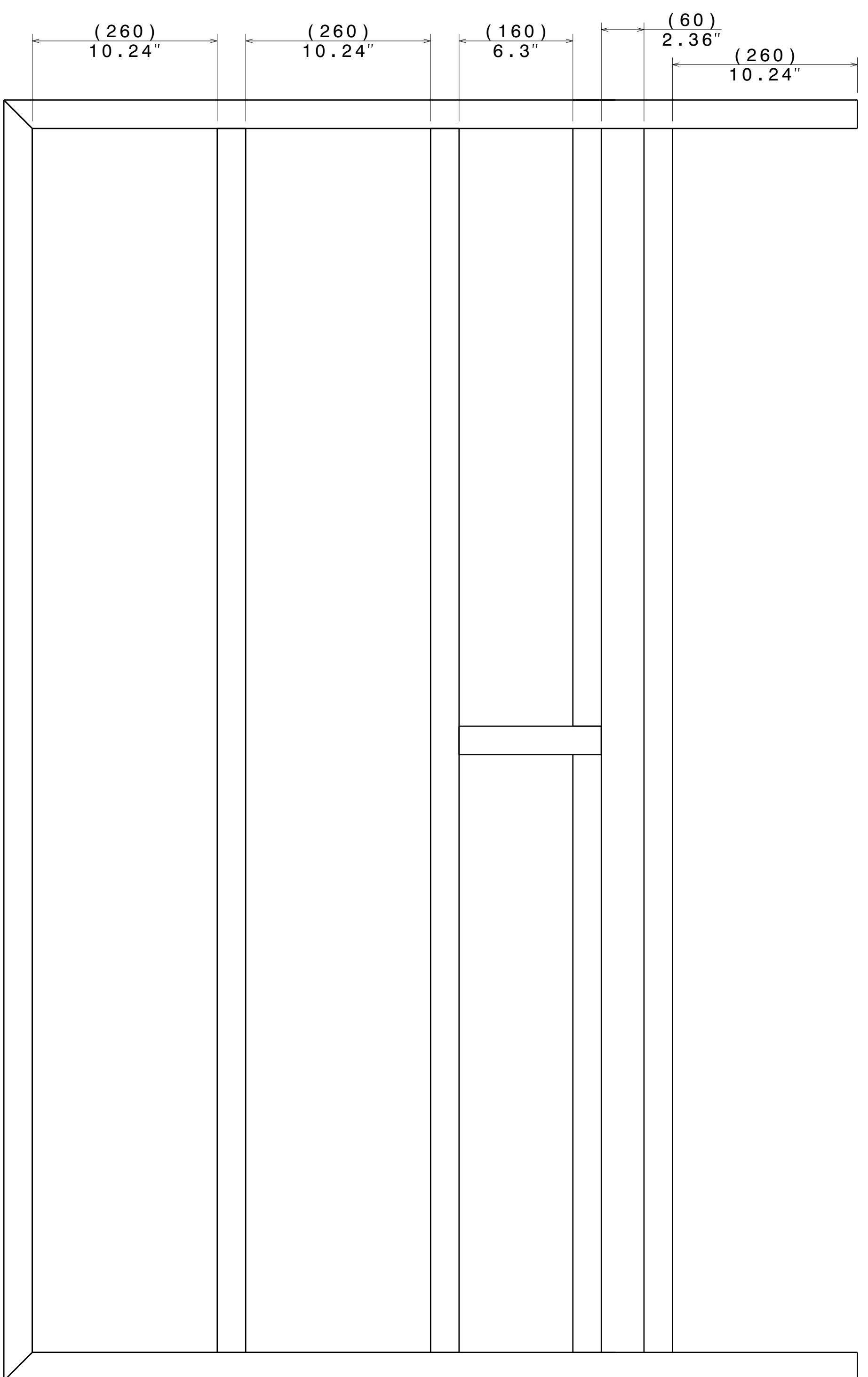
DRAWING TITLE: **BED 5**

DRAWN BY: SB	DATE: 18/04/2020	CHECKED BY: P2P Analysis & Solutions	DATE: 18/04/2020	DESIGNED BY: P2P Analysis & Solutions	DATE: 18/04/2020
--------------	------------------	--------------------------------------	------------------	---------------------------------------	------------------

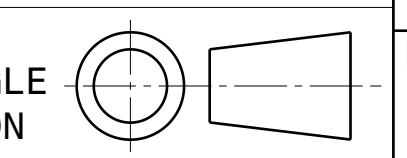
SIZE: A0	DRAWING NUMBER: P2P BED 5	REV: 00
SCALE: As Indicated	WEIGHT (kg): 0kg	SHEET 1 OF 5

UNLESS OTHERWISE SPECIFIED DIMENSION ARE IN MM
 VIEWS: THIRD ANGLE PROJECTION

REV	DATE	DESCRIPTION
00	18/04/2020	INITIAL REVISION




UNLESS OTHERWISE SPECIFIED DIMENSION ARE IN MM
 VIEWS: THIRD ANGLE PROJECTION



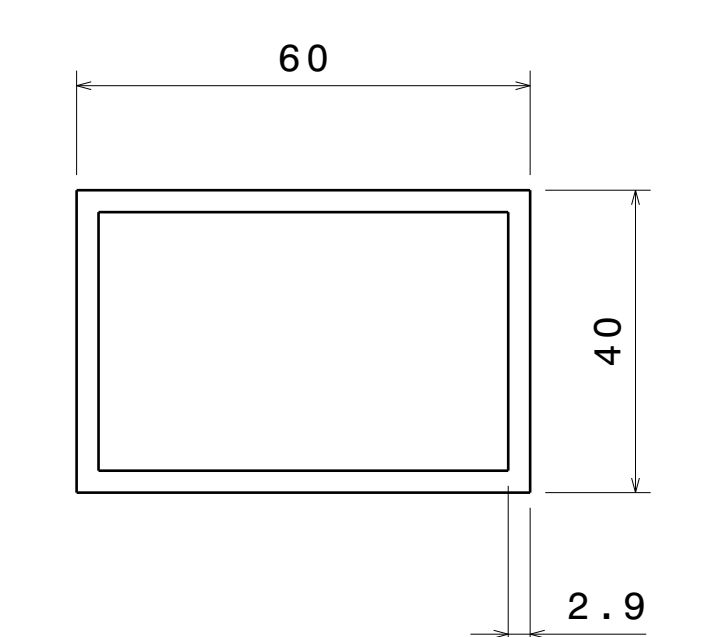
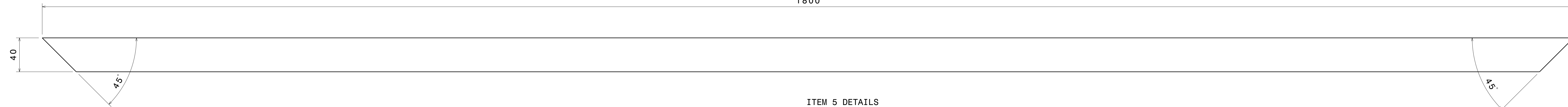
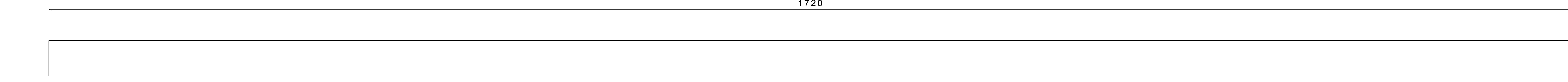
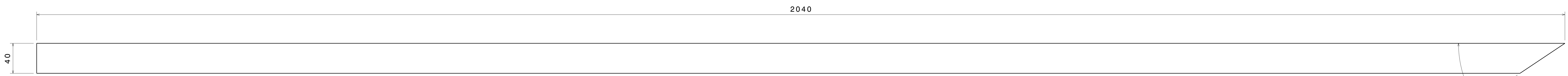
This drawing is our property. It can't be reproduced or communicated without our written agreement.

DRAWN BY	DATE
SB	18/04/2020
CHECKED BY	DATE
P2P Analysis & Solutions	18/04/2020
DESIGNED BY	DATE
P2P Analysis & Solutions	18/04/2020

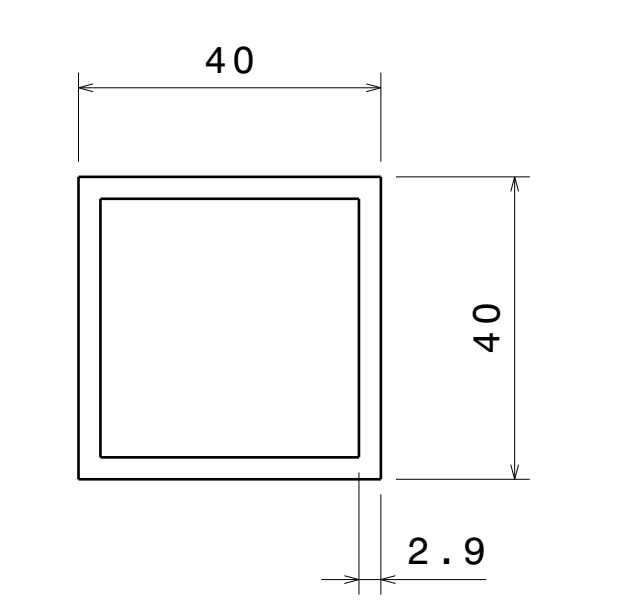
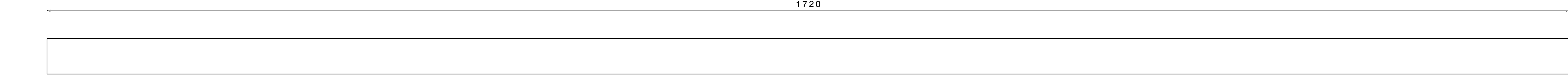
APL APOLLO TUBES LTD. 	
DRAWING TITLE	
BED 5	
SIZE	DRAWING NUMBER
A0	P2P BED 5
SCALE	WEIGHT (kg)
NONE	XXX
SHEET 2 OF 5	

16
15
14
13
12
11
10
9
8
7
6
5
4
3
2
1

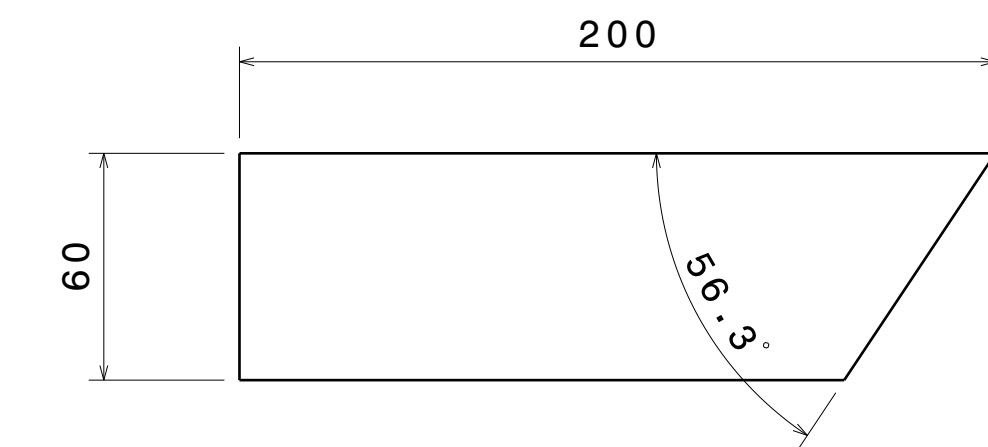
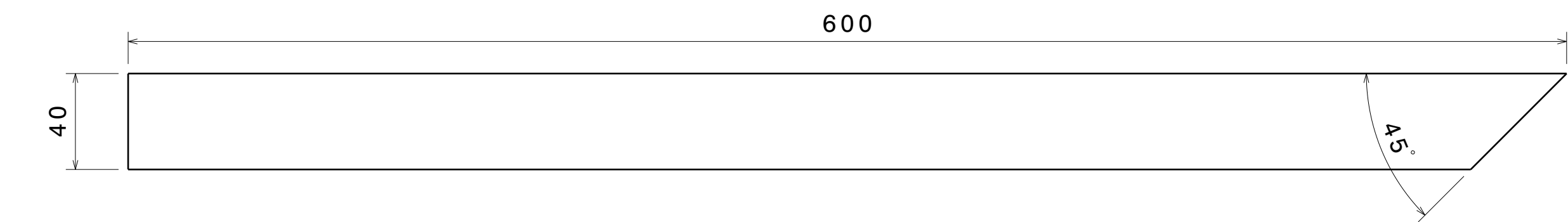
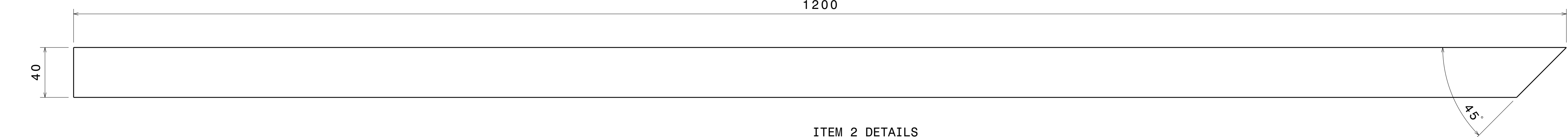
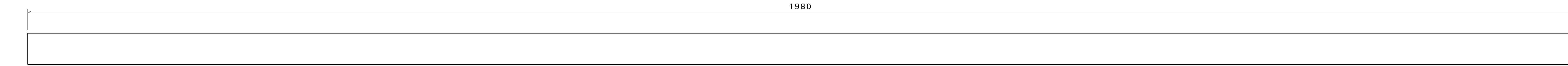
REV	DATE	DESCRIPTION
00	18/04/2020	INITIAL REVISION




Section Detail of ITEM 1,2,3,5,6 & 7
Scale: 1:1



Section Detail of ITEM 4 & 8
Scale: 1:1



This drawing is our property. It can't be reproduced or communicated without our written agreement.		APL APOLLO TUBES LTD. 	
DRAWN BY SB		DATE 18/04/2020	
CHECKED BY P2P Analysis & Solutions		DATE 18/04/2020	
DESIGNED BY P2P Analysis & Solutions		DATE 18/04/2020	
SIZE A0	DRAWING NUMBER P2P BED 5	REV 00	
SCALE NONE	WEIGHT (kg) XXX	SHEET 3 OF 5	

UNLESS OTHERWISE SPECIFIED DIMENSION ARE IN MM
VIEWS: THIRD ANGLE PROJECTION

