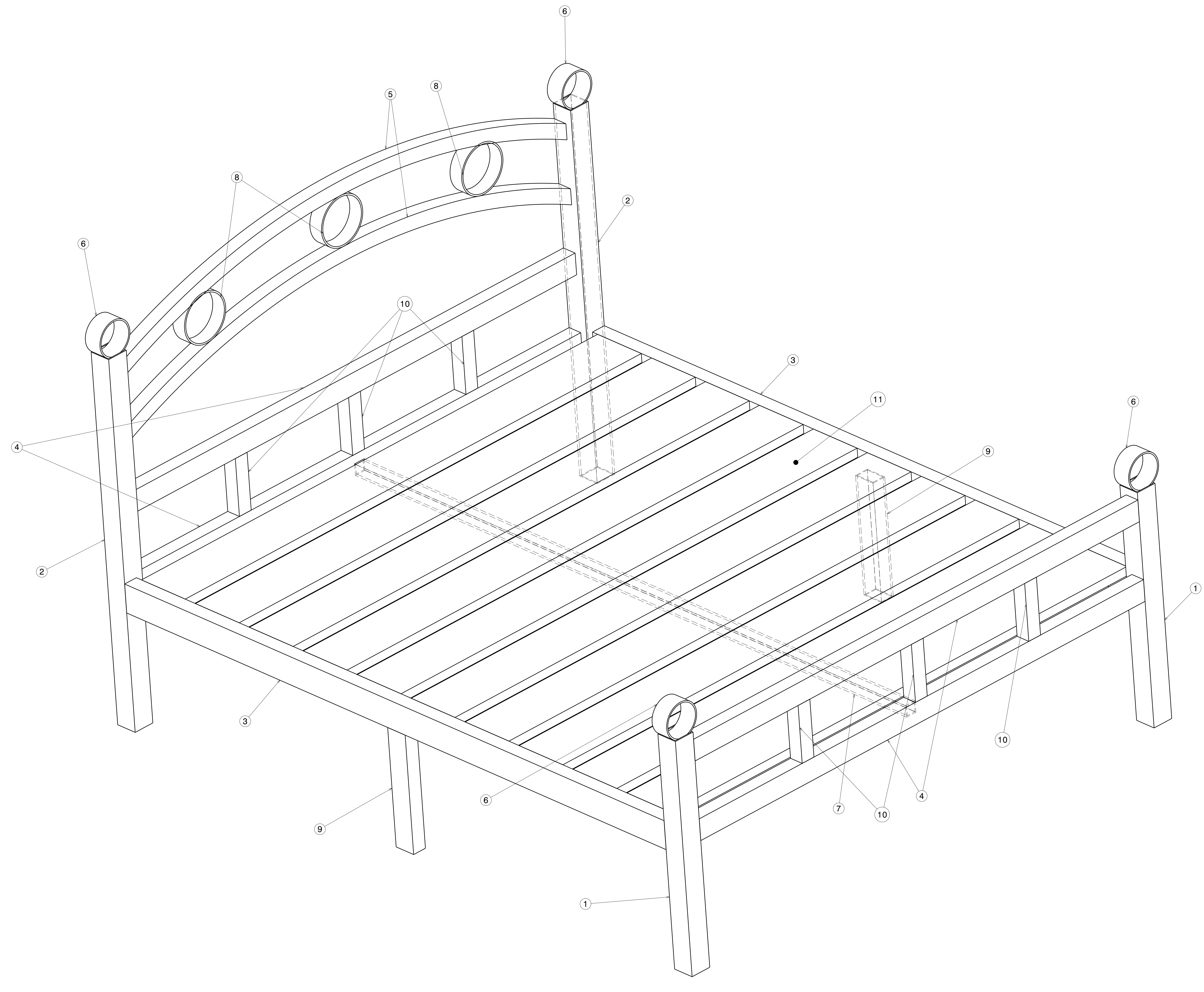


REV	DATE	DESCRIPTION
00	29JULY2020	INITIAL REVISION


NOTES:

- (⊥) ALL VERTICAL SUPPORTS ARE PERPENDICULAR.
- FLATNESS OF .5MM IS APPLIED BY DEFAULT.
- ⊲ WELD BEAD OF 2MM RADIUS IS FOLLOWED.
- ▽ SURFACE FINISH MEDIUM TO SMOOTH IS USED.
- ALL TUBES ARE AS PER APL APOLLO STANDARD. CHANGES MAY EFFECT THE LOAD CAPACITY.
- ALL HORIZONTAL AND VERTICAL TUBES ARE PERPENDICULAR TO EACH OTHER WITH ±1 DEG.
- FINE WELDING IS REQUIRED AS PER MENTIONED DETAILS AND FINISHING.
- HIGHER CURRENT WELDING MAY AFFECT THE BRITTLENESS OF MATERIAL WHICH LATER MAY RAISE TO WEAKENING OF STRUCTURE.
- FABRICATORS ARE ALLOWED TO USE FITTINGS/FRAMES/SUPPORTS AS NEEDED AND THE SAME MUST BE COMMUNICATED BACK TO ENGINEERING TEAM.
- BOP COMPONENT WEIGHTS ARE FOR REFERENCE ONLY AND SUBJECTED TO CHANGE PER PURCHASED COMPONENTS.

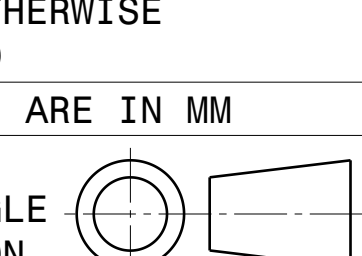


Isometric view

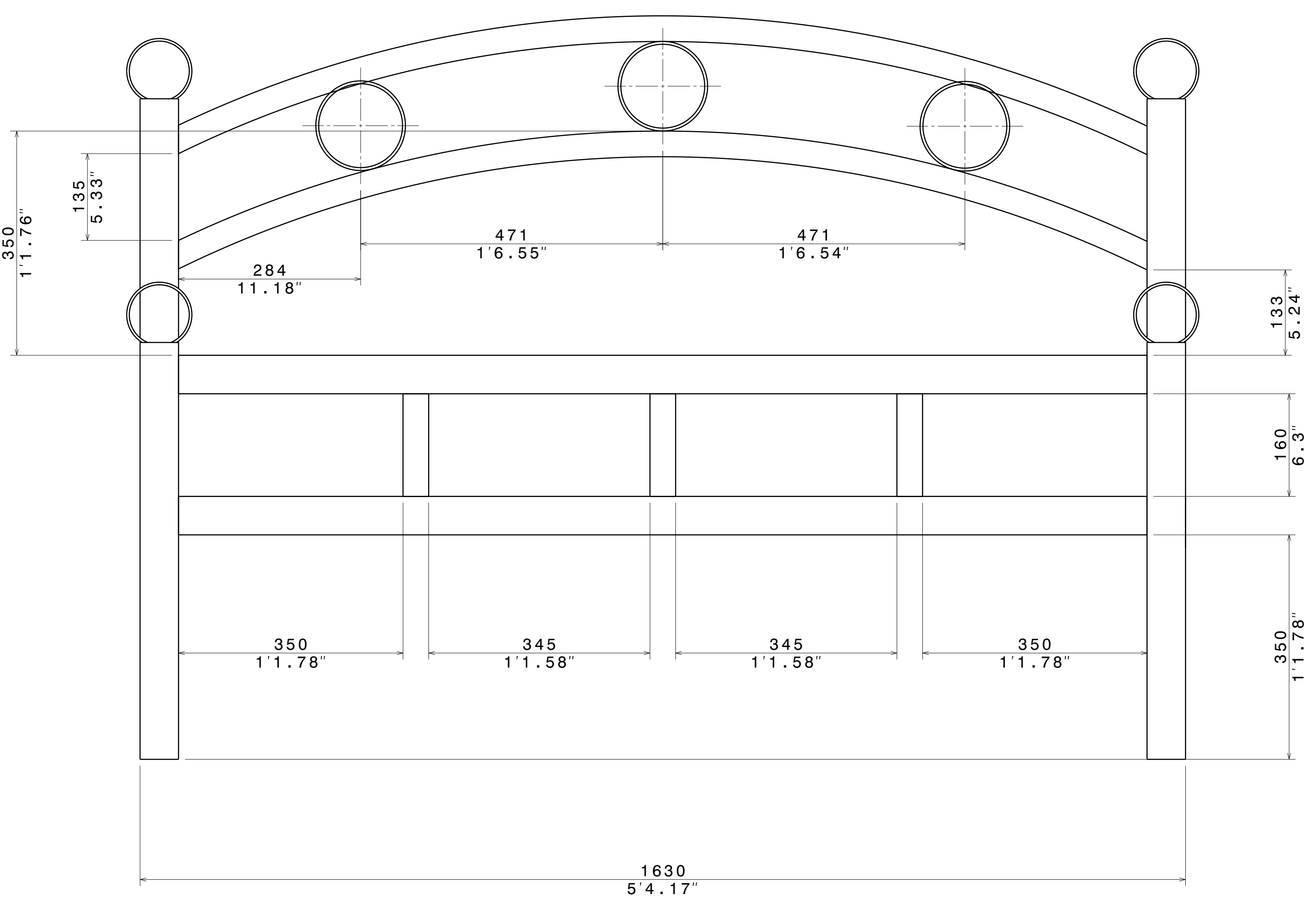
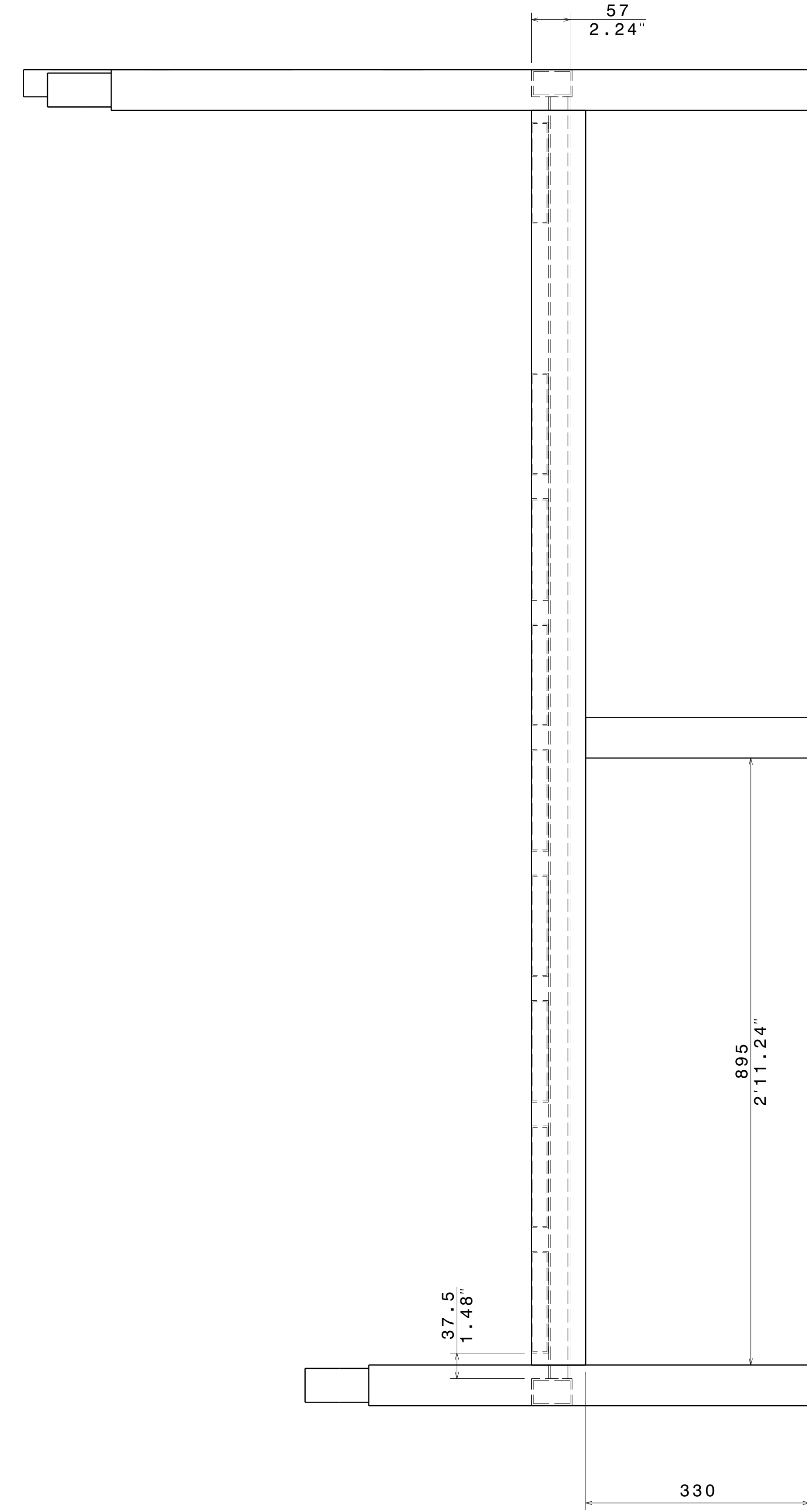
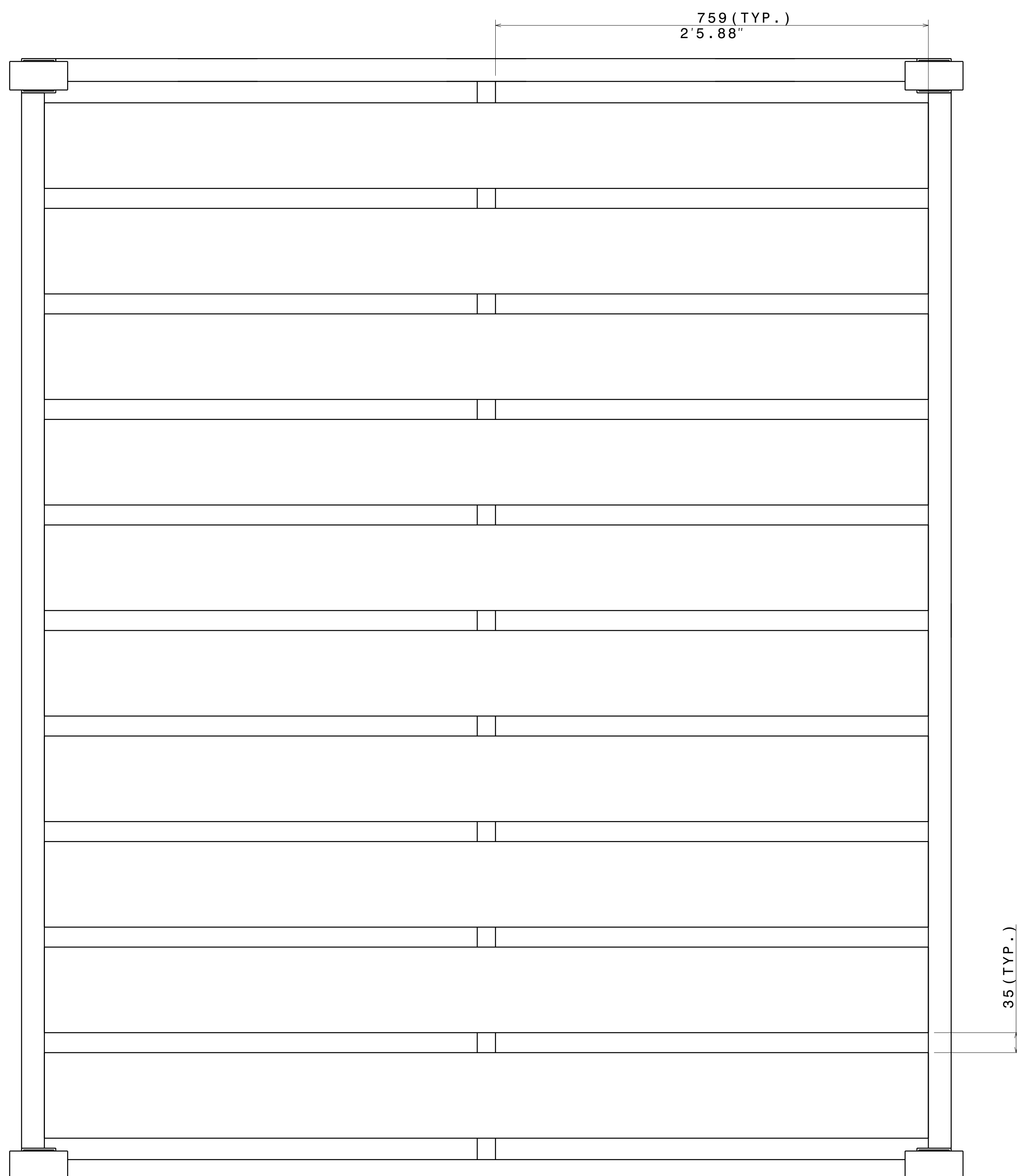
ITEM NO.	PART NUMBER	DESCRIPTION	QTY.	Wt (Kg) /Each
11	Plank1	150 X 25 X 1.6 , L=1550	10	8.3
10	Sq Tube WA0034 Frame 10	40 X 40 X 2.6 X 160	6	0.49
9	Rect Tube WA0034 Frame 9	60 X 40 X 2.9 X 330	2	1.41
8	round tube WA0034 Frame 8	139.7 X 4.5 X 40	3	0.60
7	Sq Tube WA0034 Frame 7	32 X 32 X 3.2 X 1890	1	5.5
6	round tube WA0034 Frame 6	101.6 X 4.05 X 50	4	0.48
5	Sq Tube WA0034 Frame 5	40 X 40 X 2.9 X 1568	2	5.3
4	Rect Tube WA0034 Frame 4	60 X 40 X 2.9 X 1510	4	6.5
3	Rect Tube WA0034 Frame 3	80 X 40 X 3.2 X 1850	2	10.57
2	Sq Tube WA0034 Frame 2	60 X 60 X 3.2 X 1030	2	5.88
1	Sq Tube WA0034 Frame 1	60 X 60 X 3.2 X 650	2	3.7


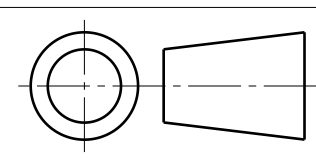
This drawing is our property. It can't be reproduced or communicated without our written agreement.		APL APOLLO TUBES LTD. 	
DRAWN BY SB		DATE 29JULY2020	
CHECKED BY P2P Analysis & Solutions		DATE 29JULY2020	
DESIGNED BY P2P Analysis & Solutions		DATE 29JULY2020	
DRAWING TITLE May 24 bed		SIZE A0	REV 00
SCALE As Indicated		WEIGHT (kg) 0kg	SHEET 1 OF 3

UNLESS OTHERWISE SPECIFIED DIMENSION ARE IN MM
VIEWS: THIRD ANGLE PROJECTION

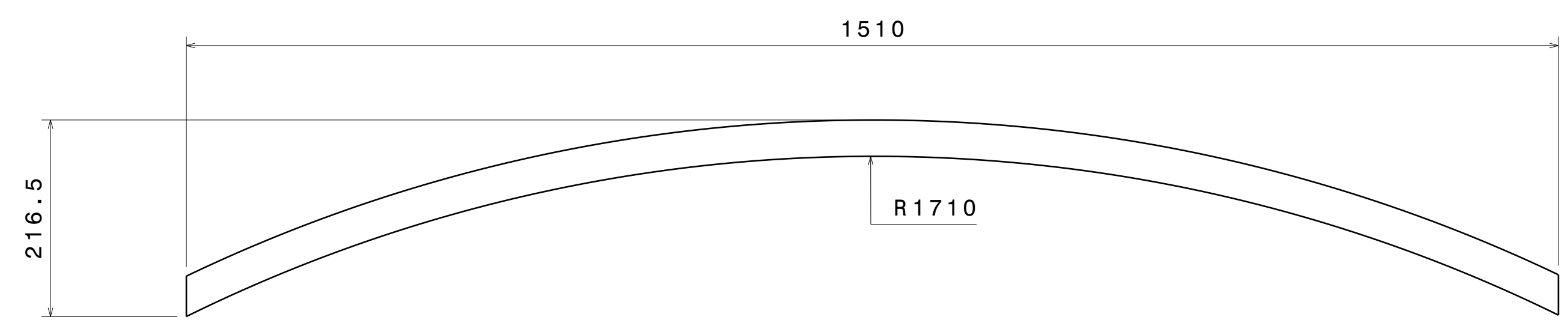


REV	DATE	DESCRIPTION
00	29JULY2020	INITIAL REVISION

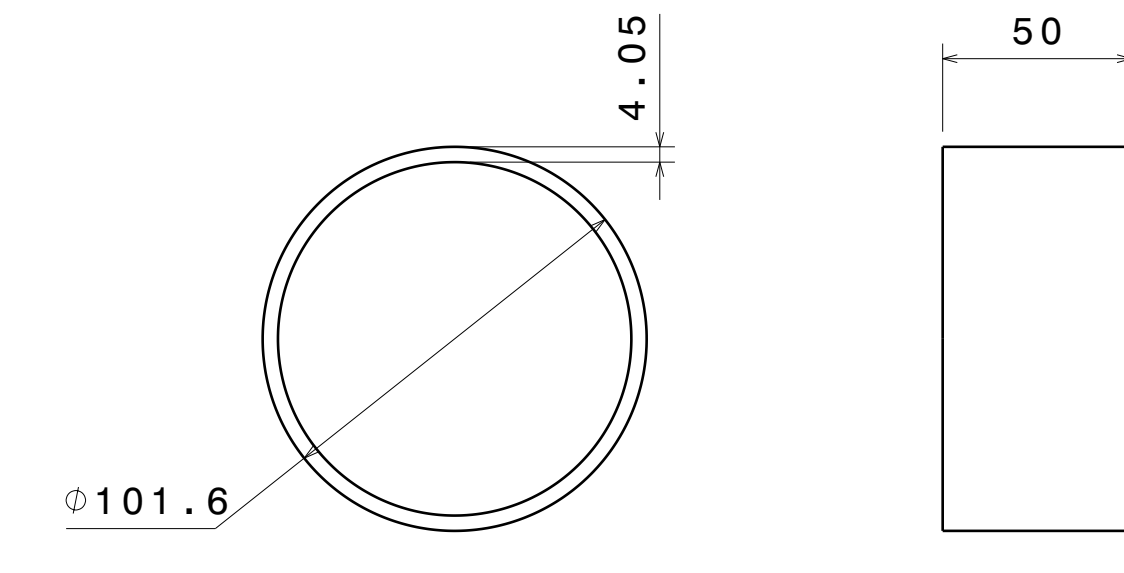


This drawing is our property. It can't be reproduced or communicated without our written agreement.		APL APOLLO TUBES LTD. 	
DRAWN BY SB		DATE 29JULY2020	
CHECKED BY P2P Analysis & Solutions		DATE 29JULY2020	
DESIGNED BY P2P Analysis & Solutions		DATE 29JULY2020	
UNLESS OTHERWISE SPECIFIED DIMENSION ARE IN MM VIEWS: THIRD ANGLE PROJECTION 		DRAWING TITLE May 24 bed	
SIZE A0	DRAWING NUMBER P2P May 24 bed	REV 00	
SCALE NONE	WEIGHT (kg) XXX	SHEET 2 OF 3	

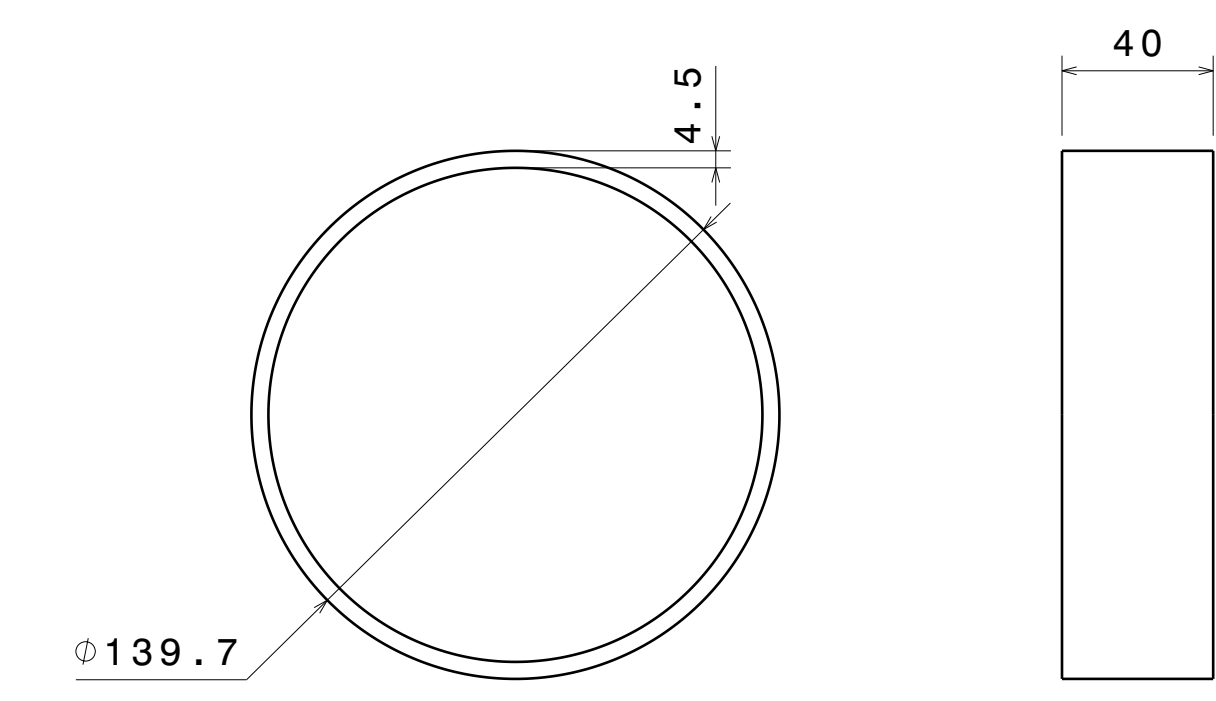
REV	DATE	DESCRIPTION
00	29JULY2020	INITIAL REVISION



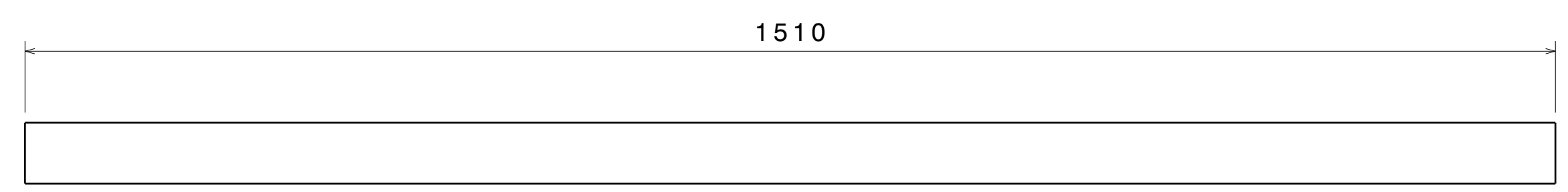
ITEM 5 DETAILS
Sq Tube WA0034 Frame 5



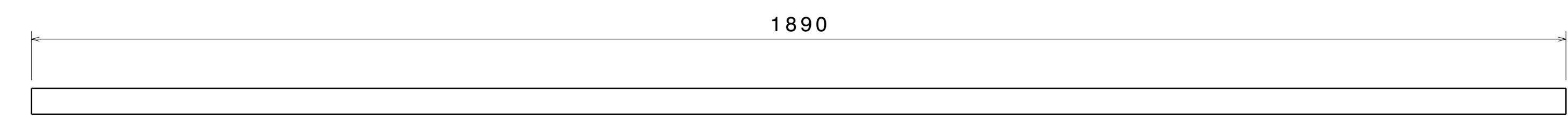
ITEM 6 DETAILS
round_tube WA0034 Frame 6



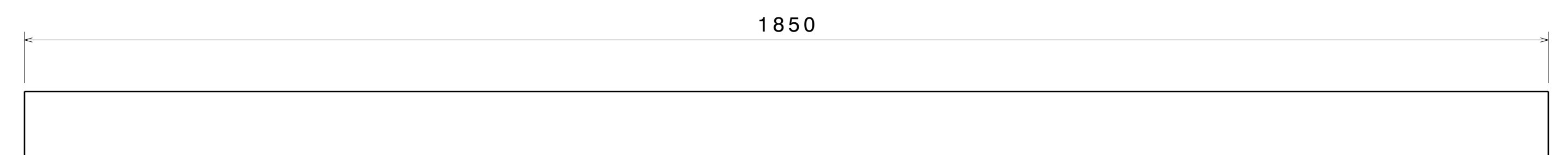
ITEM 8 DETAILS
round_tube WA0034 Frame 8



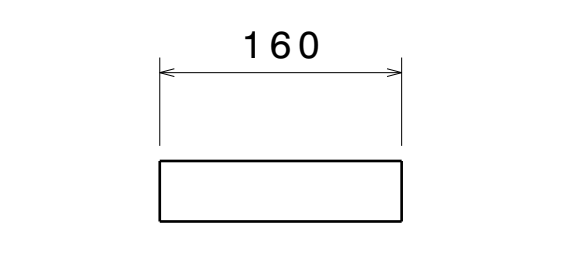
ITEM 4 DETAILS
Rect Tube WA0034 Frame 4



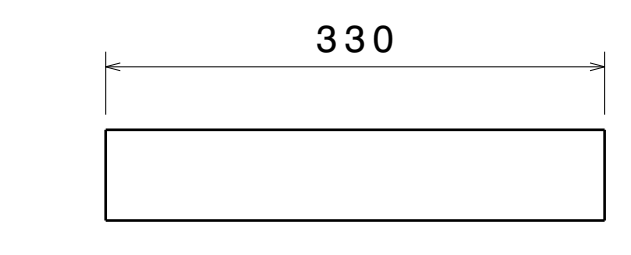
ITEM 7 DETAILS
Sq Tube WA0034 Frame 7



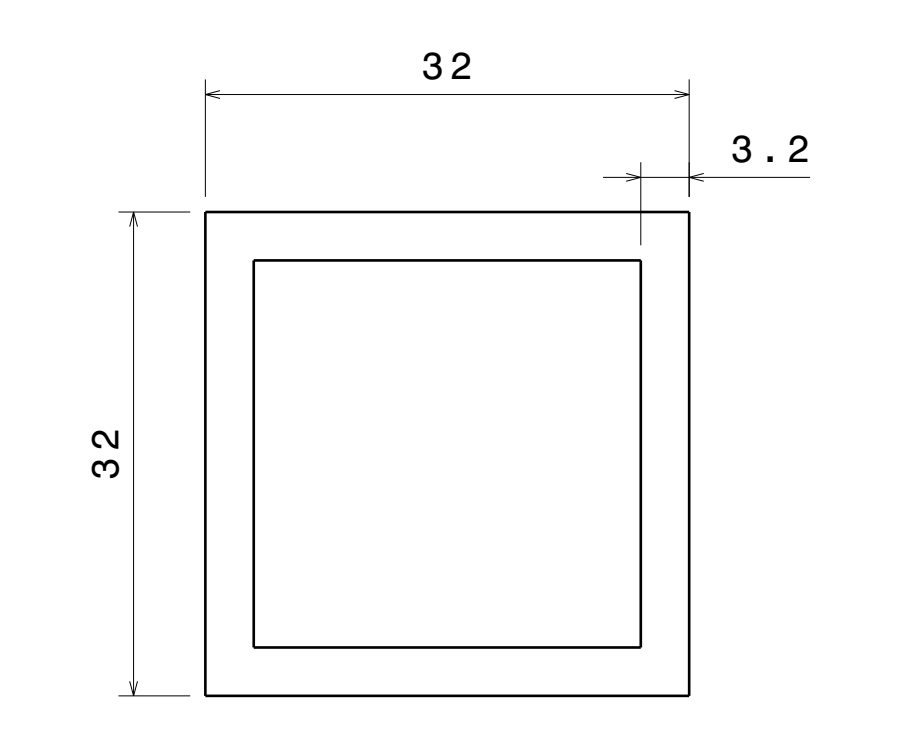
ITEM 3 DETAILS
Rect Tube WA0034 Frame 3



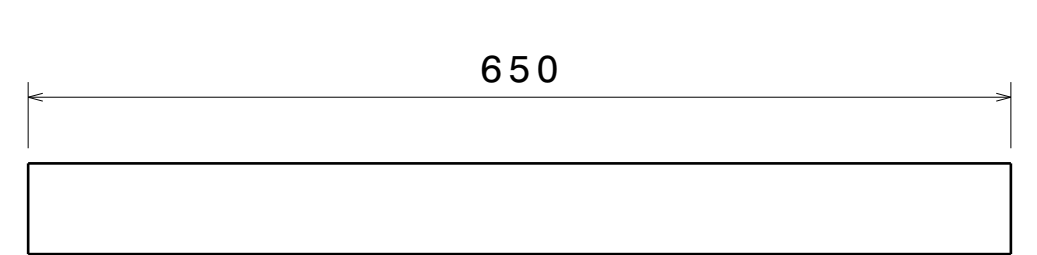
ITEM 10 DETAILS
Sq Tube WA0034 Frame 10



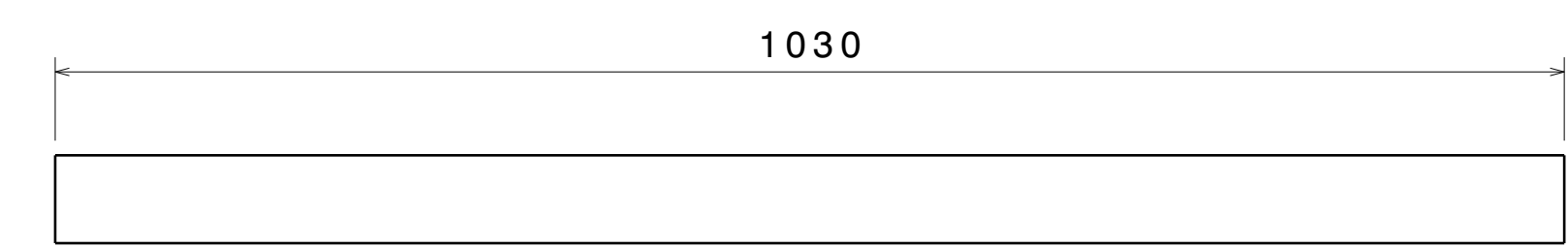
ITEM 9 DETAILS
Rect Tube WA0034 Frame 9



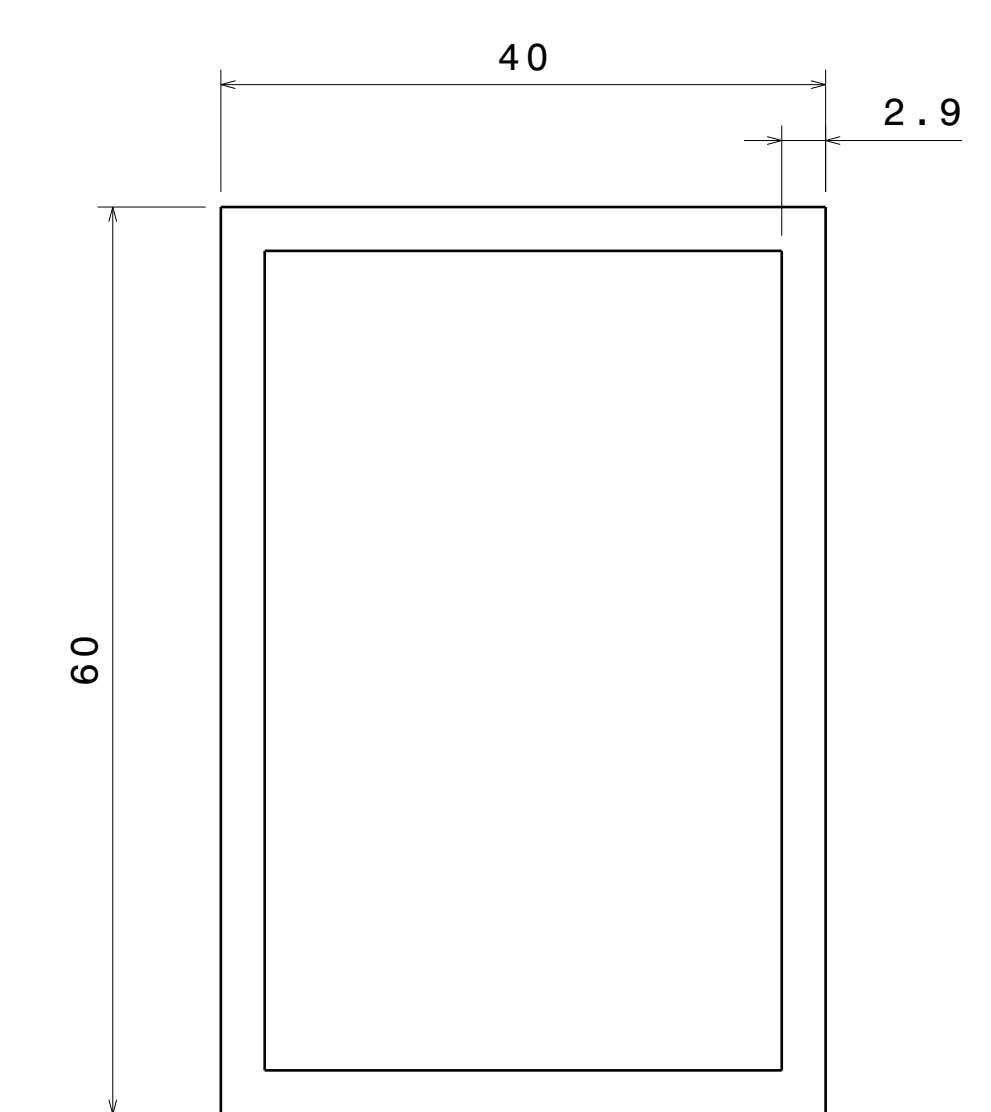
Section Detail of ITEM 7
Scale: 2:1



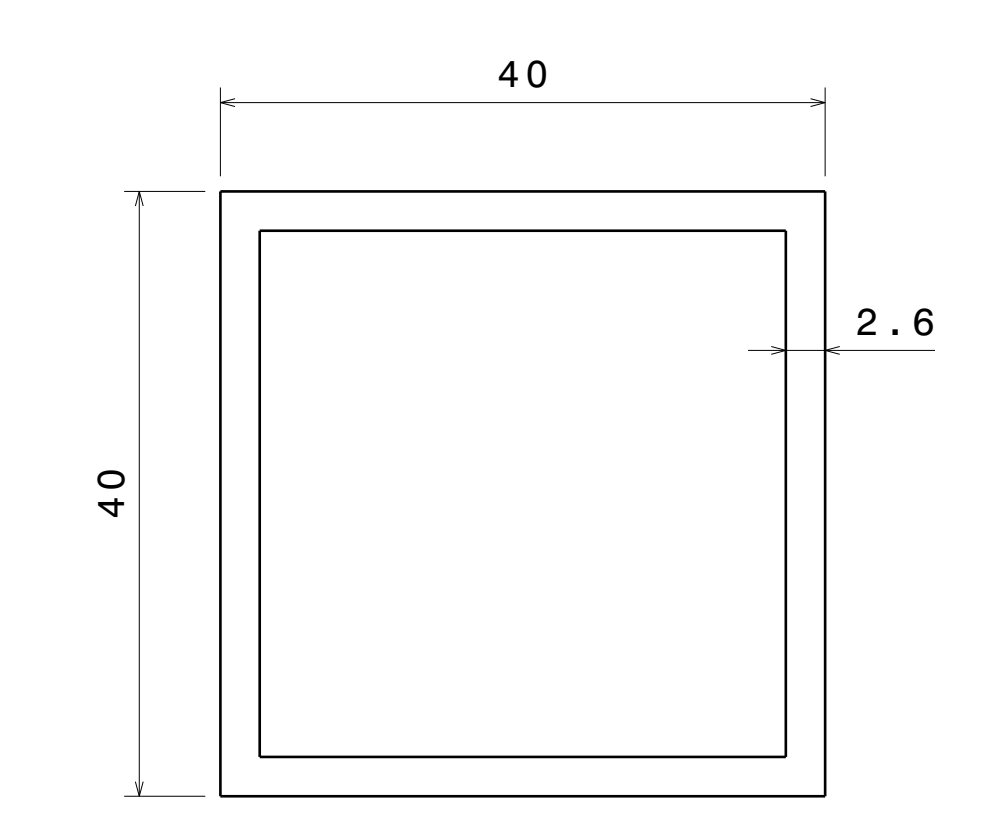
ITEM 1 DETAILS
Sq Tube WA0034 Frame 1



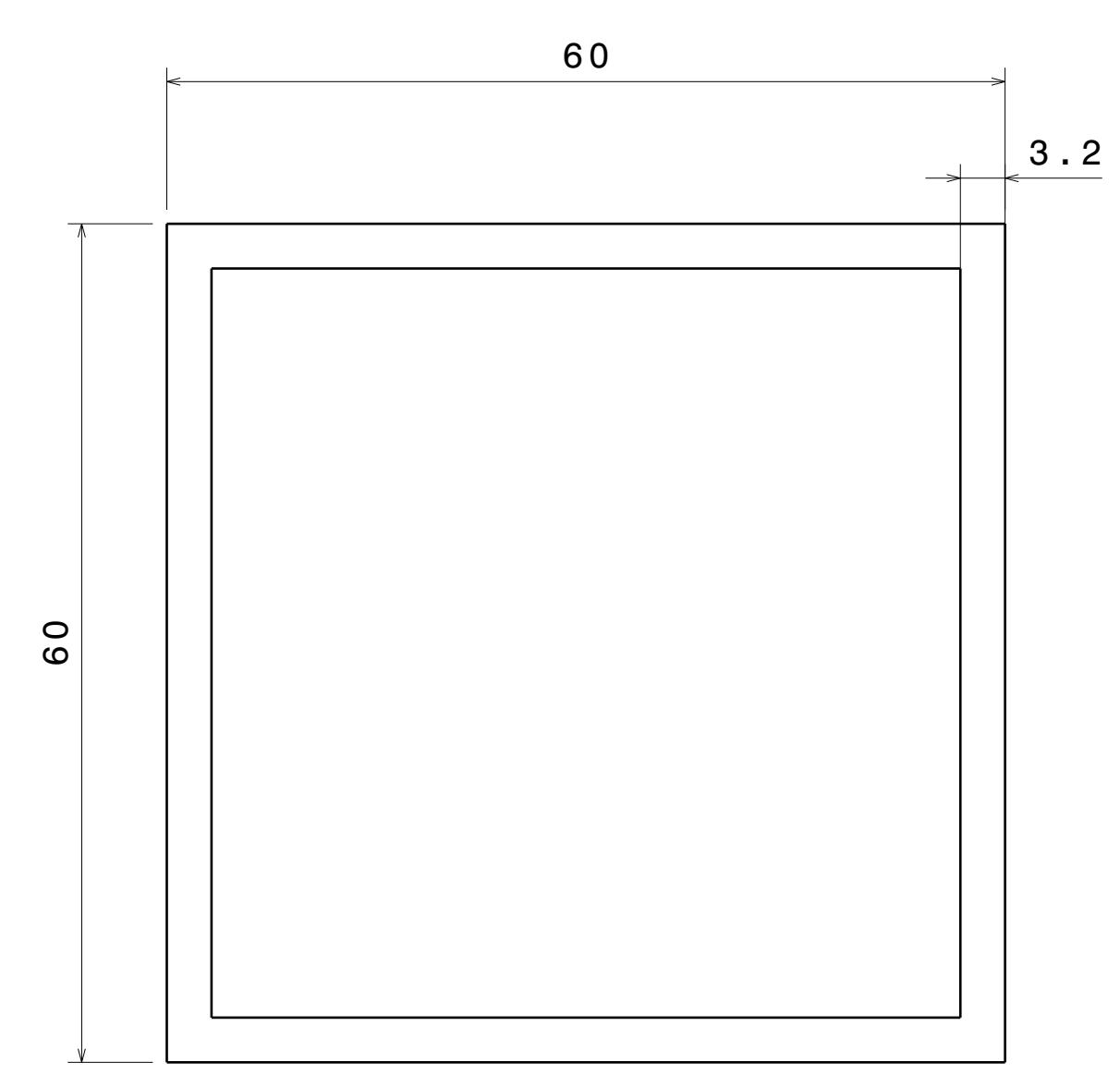
ITEM 2 DETAILS
Sq Tube WA0034 Frame 2



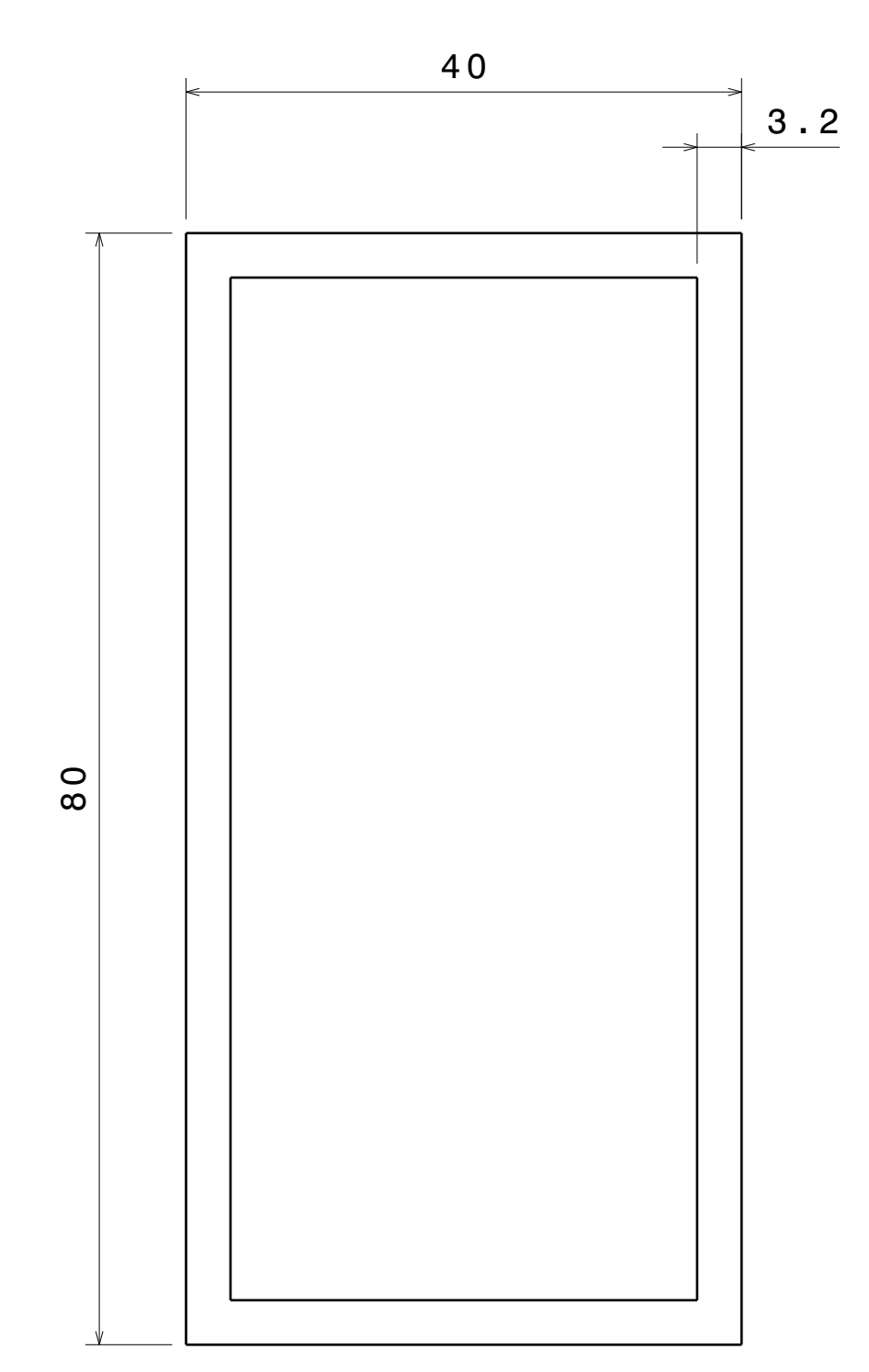
Section Detail of ITEM 4 & 9
Scale: 2:1



Section Detail of ITEM 5 & 10
Scale: 2:1



Section Detail of ITEM 1 & 2
Scale: 2:1



Section Detail of ITEM 3
Scale: 2:1

UNLESS OTHERWISE SPECIFIED DIMENSION ARE IN MM
VIEWS: THIRD ANGLE PROJECTION

This drawing is our property. It can't be reproduced or communicated without our written agreement.

APL APOLLO TUBES LTD.

DRAWN BY	DATE
SB	29JULY2020
CHECKED BY	DATE
P2P Analysis & Solutions	29JULY2020
DESIGNED BY	DATE
P2P Analysis & Solutions	29JULY2020

DRAWING TITLE		REV	
May 24 bed		00	
SIZE	DRAWING NUMBER		
A0	P2P May 24 bed		
SCALE	NONE	WEIGHT (kg)	XXX
		SHEET 3 OF 3	