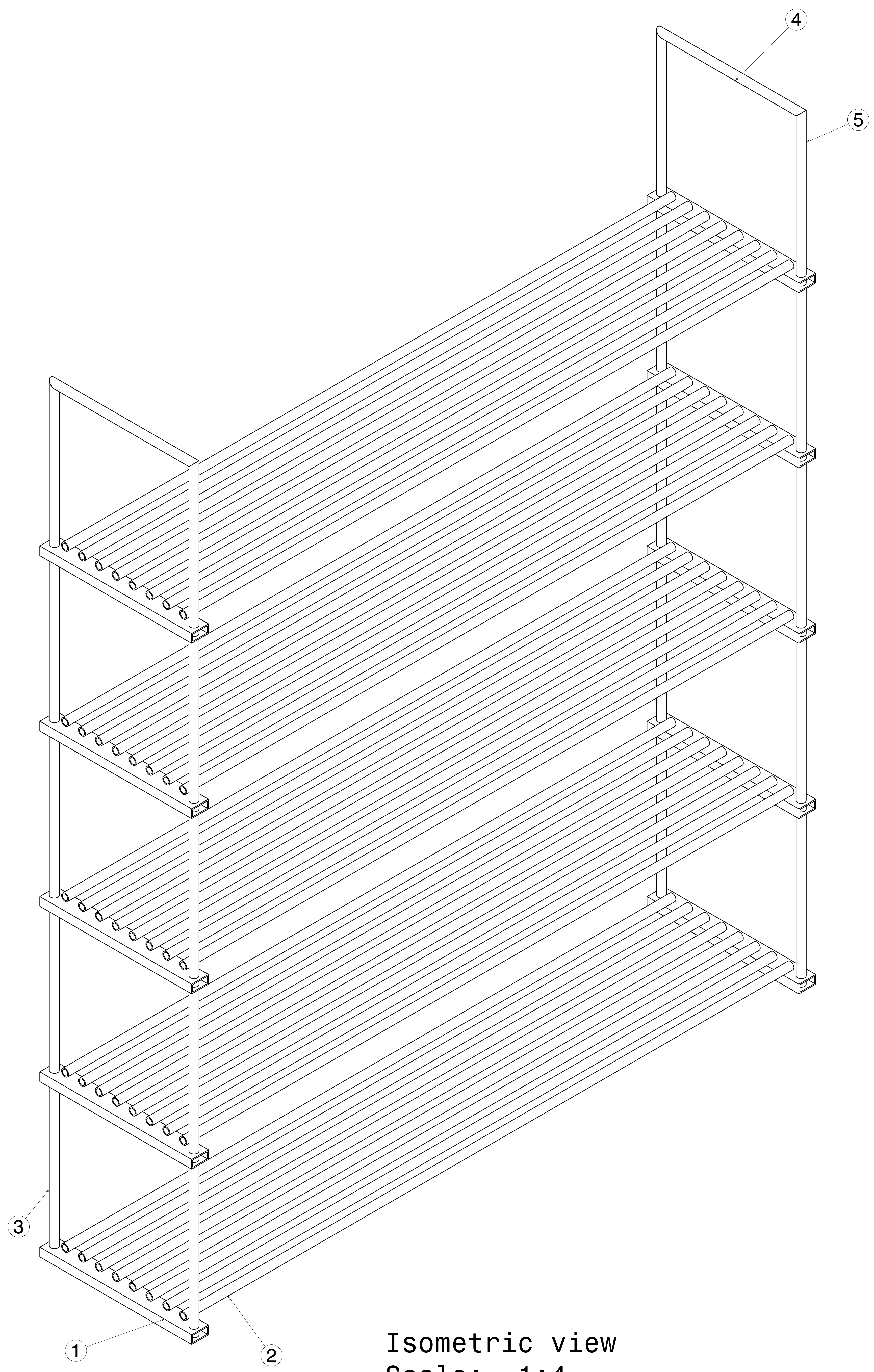



REV	DATE	DESCRIPTION
00	10JUN2020	INITIAL REVISION

- NOTES:
- (⊥) ALL VERTICAL SUPPORTS ARE PERPENDICULAR.
  - FLATNESS OF .5MM IS APPLIED BY DEFAULT.
  - ⊲ WELD BEAD OF 2MM RADIUS IS FOLLOWED.
  - ▽▽ SURFACE FINISH MEDIUM TO SMOOTH IS USED.
  - ALL TUBES ARE AS PER APL APOLLO STANDARD. CHANGES MAY EFFECT THE LOAD CAPACITY.
  - ALL HORIZONTAL AND VERTICAL TUBES ARE PERPENDICULAR TO EACH OTHER WITH ±1 DEG.
  - FINE WELDNG IS REQUIRED AS PER MENTIONED DETAILS AND FINISHING.
  - HIGHER CURRENT WELDING MAY AFFECT THE BRITTLENESS OF MATERIAL WHICH LATER MAY RAISE TO WEAKENING OF STRUCTURE.
  - FABRICATORS ARE ALLOWED TO USE FITTINGS/FRAMES/SUPPORTS AS NEEDED AND THE SAME MUST BE COMMUNICATED BACK TO ENGINEERING TEAM.
  - LENGTH OF ALL LONGITUDINAL FRAMES ARE FOR REFERENCE ONLY AND SUBJECTED TO CHANGE PER REQUIREMENT.

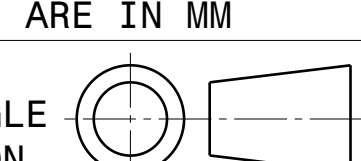


Isometric view  
Scale: 1:4

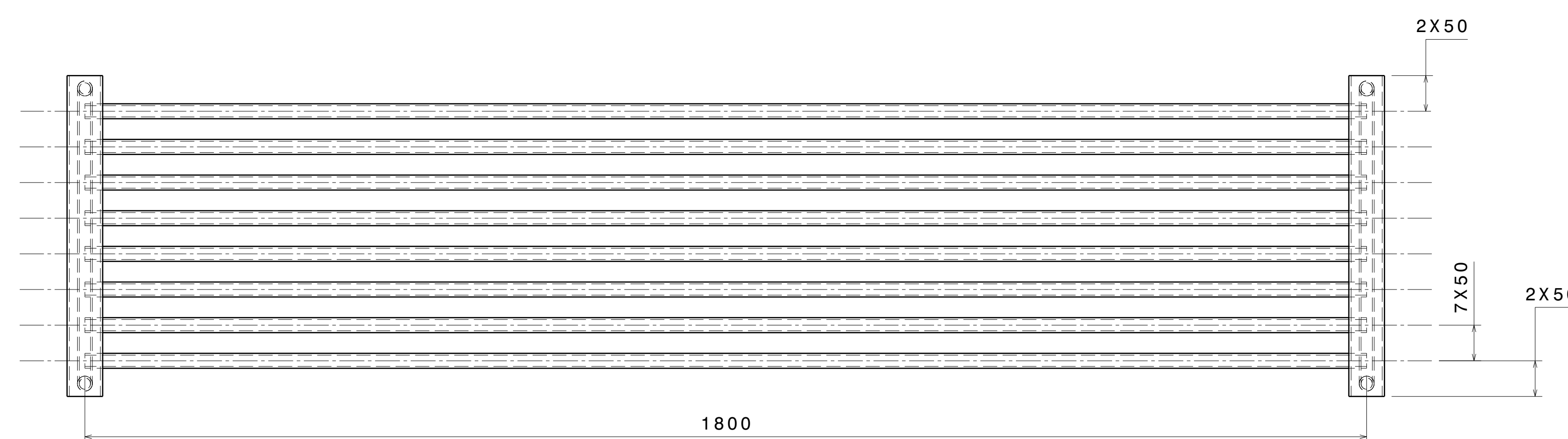
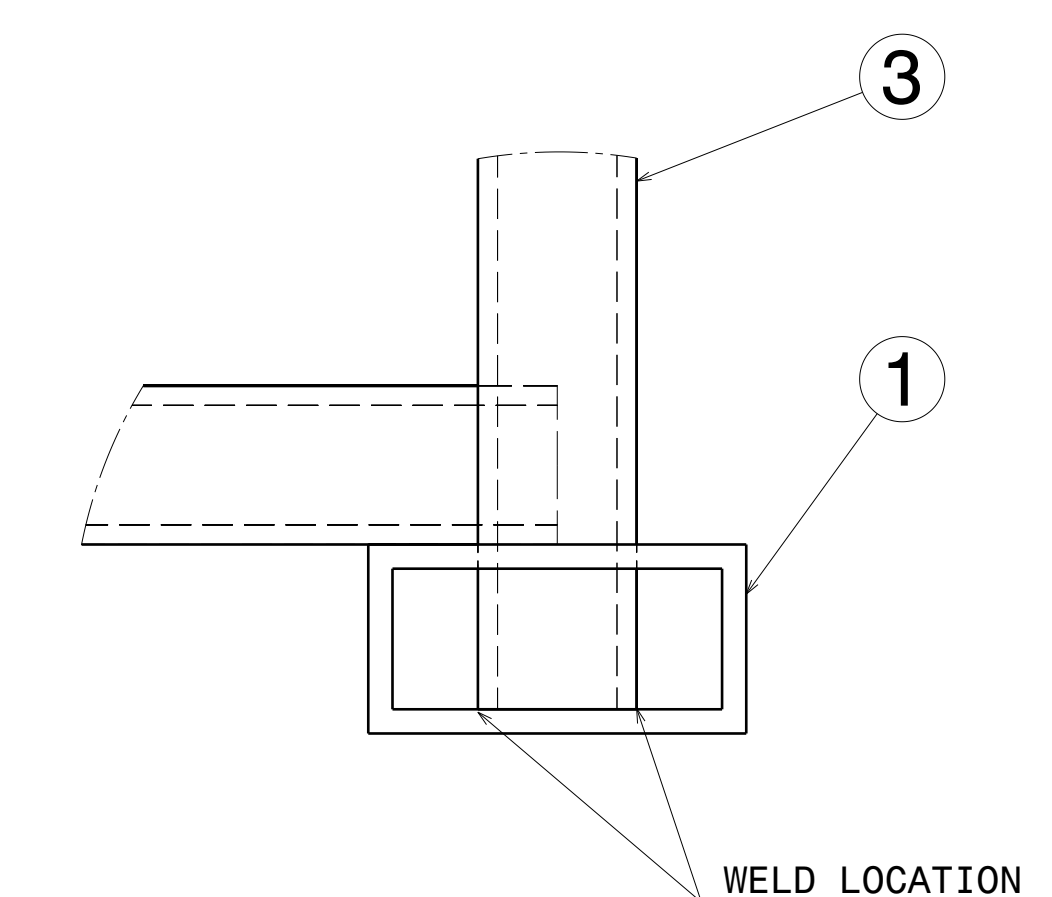
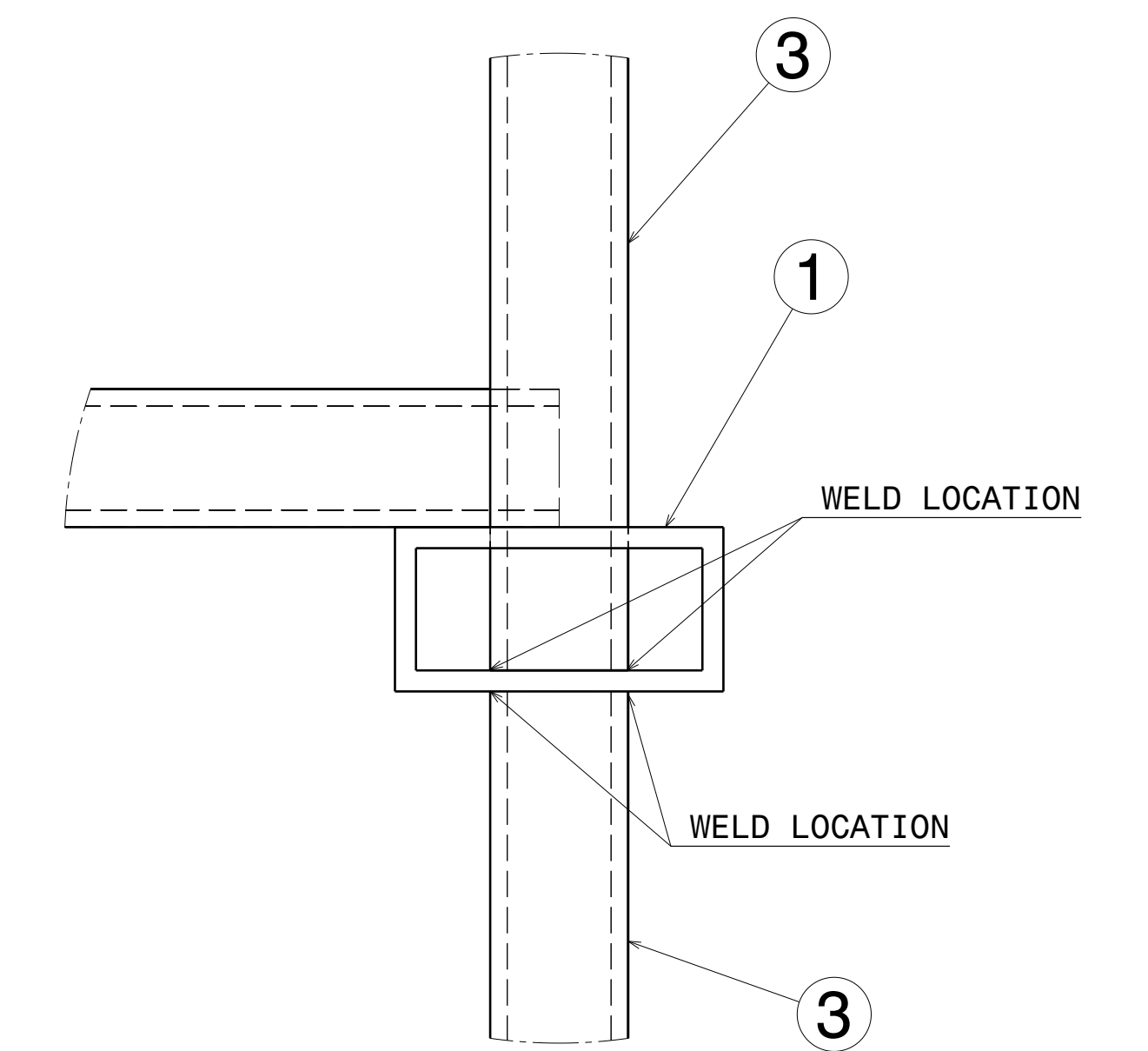
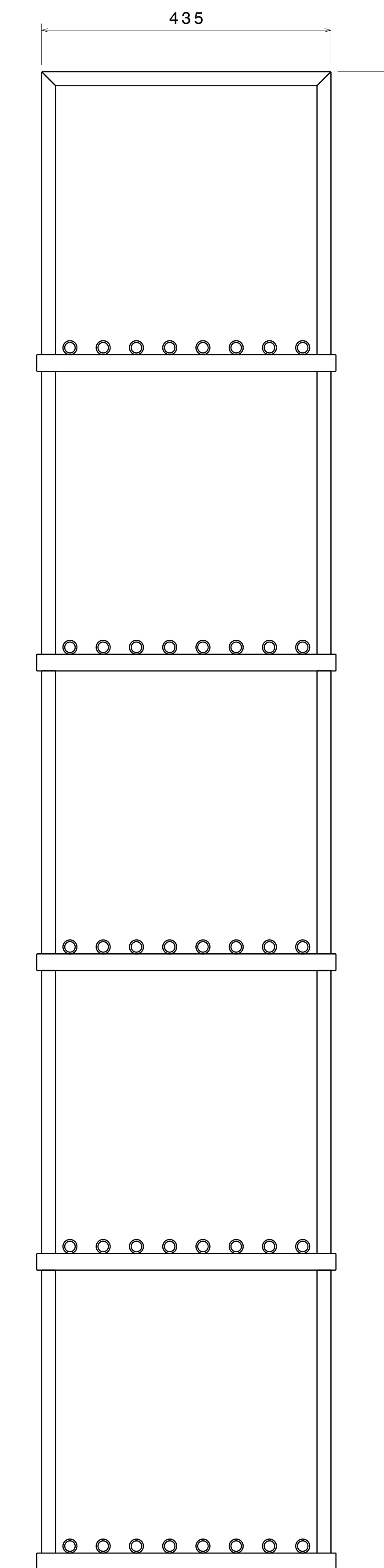
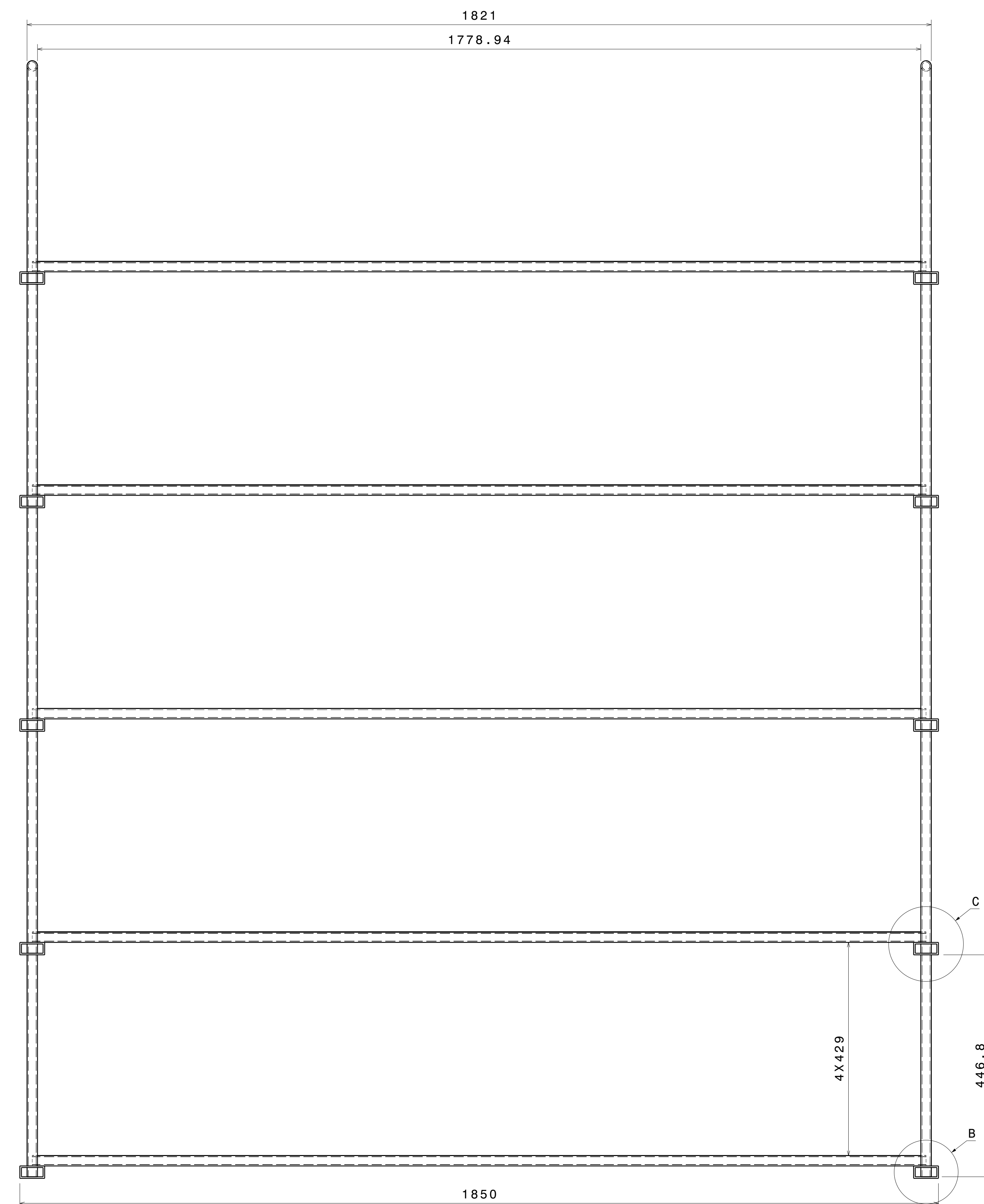
ITEM NO.	PART NUMBER	DESCRIPTION	QTY.	Wt (kg)/Each
5	MAY 10 Frame 5	DIA 21 X 2.6 X 446.8	4	0.53
4	MAY 10 Frame 4	DIA 21 X 2.6 X 435	2	0.5
3	MAY 10 Frame 3	DIA 21 X 2.6 X 446.8	16	0.53
2	MAY 10 Frame 2	DIA 21 X 2.6 X 1800	40	2.14
1	MAY 10 Frame 1	50 X 25 X 3.2 X 450	10	1.54


This drawing is our property. It can't be reproduced or communicated without our written agreement.		APL APOLLO TUBES LTD. 	
DRAWN BY SB		DATE 10JUN2020	
CHECKED BY P2P Analysis & Solutions		DATE 10JUN2020	
DESIGNED BY P2P Analysis & Solutions		DATE 10JUN2020	
SIZE A0	DRAWING NUMBER P2P MAY 10	REV 00	
SCALE As Indicated	WEIGHT(kg) 0kg	SHEET 1 OF 3	

UNLESS OTHERWISE SPECIFIED DIMENSION ARE IN MM  
VIEWS: THIRD ANGLE PROJECTION

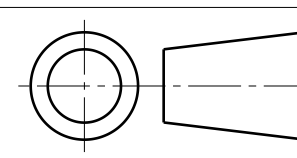


REV	DATE	DESCRIPTION
00	10JUN2020	INITIAL REVISION

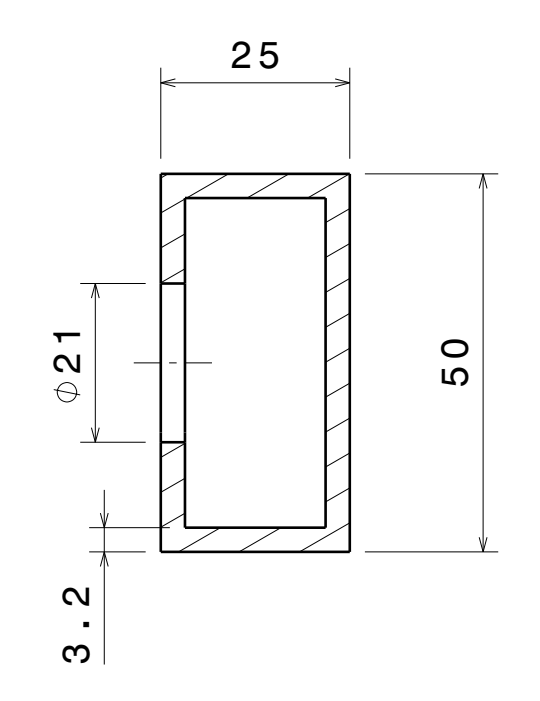


This drawing is our property. It can't be reproduced or communicated without our written agreement.		APL APOLLO TUBES LTD. 	
DRAWING TITLE			
MAY 10			
CHECKED BY	DATE	SIZE	DRAWING NUMBER
SB	10JUN2020	A0	P2P MAY 10
DESIGNED BY	DATE	SCALE	WEIGHT (kg)
P2P Analysis & Solutions	10JUN2020	NONE	XXX
REV	00	SHEET 2 OF 3	

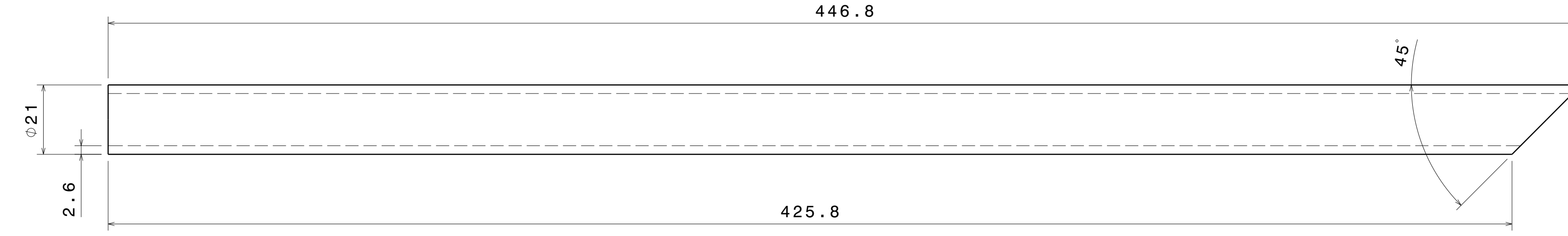
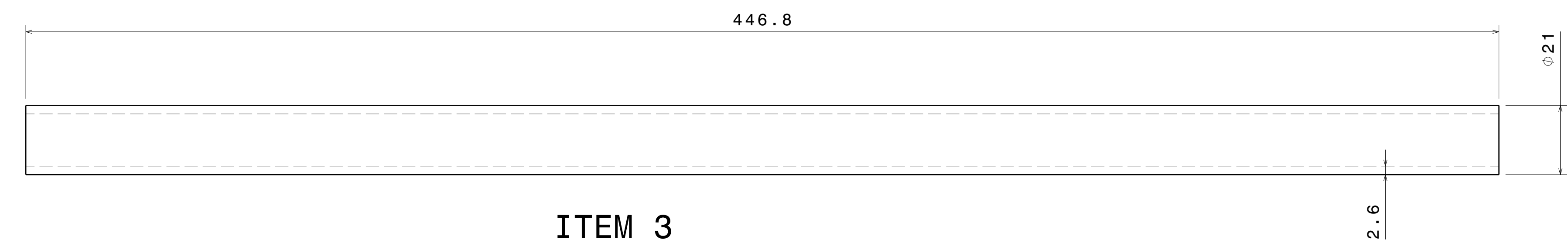
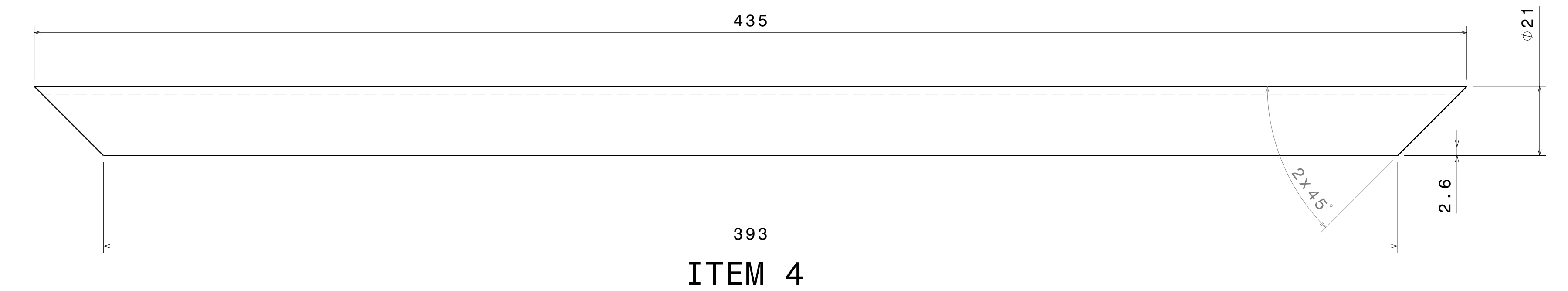
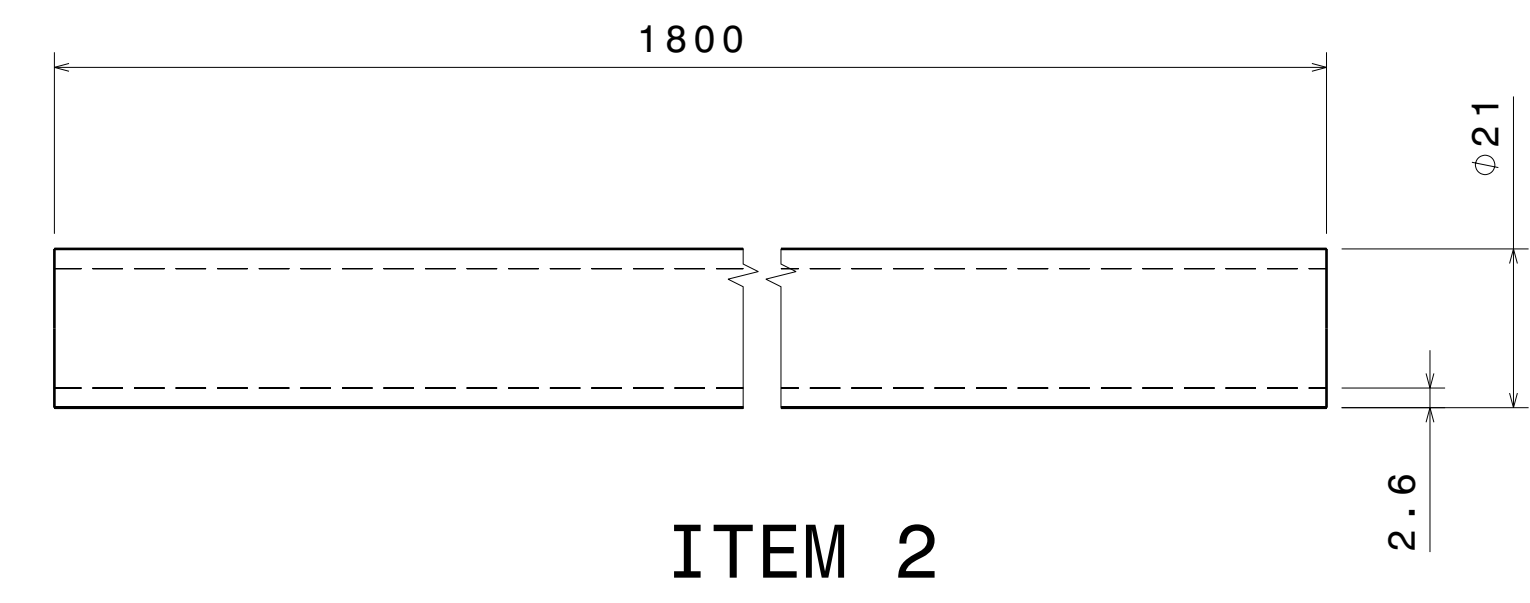
UNLESS OTHERWISE SPECIFIED DIMENSION ARE IN MM VIEWS: THIRD ANGLE PROJECTION




REV	DATE	DESCRIPTION
00	10JUN2020	INITIAL REVISION



Section view A-A  
Scale: 1:1



This drawing is our property. It can't be reproduced or communicated without our written agreement.		APL APOLLO TUBES LTD. 	
DRAWN BY SB		DATE 10JUN2020	
CHECKED BY P2P Analysis & Solutions		DATE 10JUN2020	
DESIGNED BY P2P Analysis & Solutions		DATE 10JUN2020	
SIZE A0	DRAWING NUMBER P2P_MAY 10	REV 00	
SCALE NONE	WEIGHT (kg) XXX	SHEET 3 OF 3	

UNLESS OTHERWISE SPECIFIED DIMENSION ARE IN MM  
VIEWS: THIRD ANGLE PROJECTION

