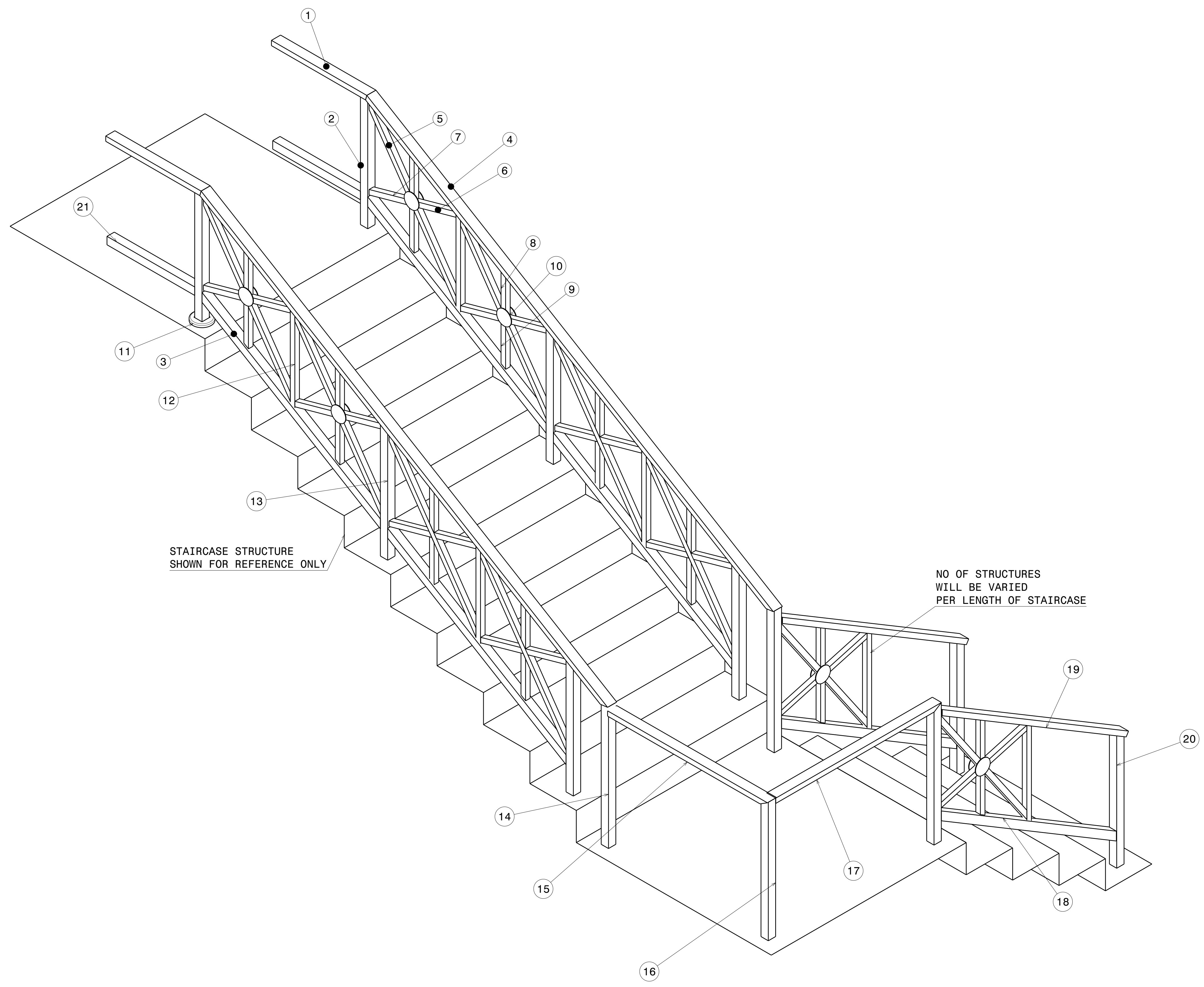
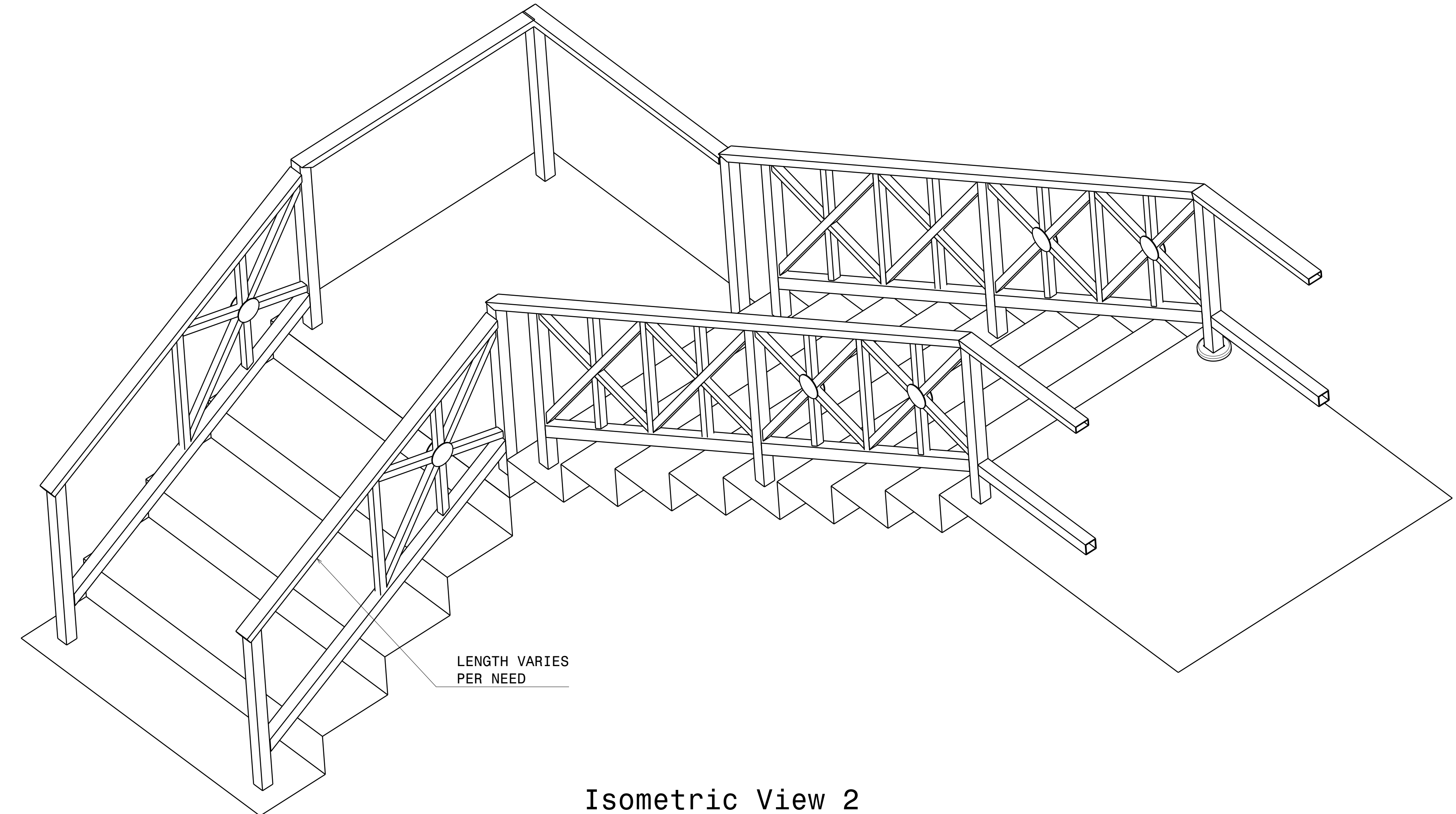


REV/DATE	DESCRIPTION
00 / 8MAR2020	INITIAL REVISION

- NOTES:
- (⊥) ALL VERTICAL SUPPORTS ARE PERPENDICULAR.
 - FLATNESS OF .5MM IS APPLIED BY DEFAULT.
 - ⊥ WELD BEAD OF 2MM RADIUS IS FOLLOWED.
 - ▽ SURFACE FINISH MEDIUM TO SMOOTH IS USED.
 - ALL TUBES ARE AS PER APL APOLLO STANDARD. CHANGES MAY EFFECT THE LOAD CAPACITY.
 - ALL HORIZONTAL AND VERTICAL TUBES ARE PERPENDICULAR TO EACH OTHER WITH ±1 DEG.
 - FINE WELDING IS REQUIRED AS PER MENTIONED DETAILS AND FINISHING.
 - HIGHER CURRENT WELDING MAY AFFECT THE BRITTLENESS OF MATERIAL WHICH LATER MAY RAISE TO WEAKENING OF STRUCTURE.
 - APPROX. WEIGHT FOR THE DRAWN STRUCTURE IS 60KG.
 - FABRICATORS ARE ALLOWED TO USE FITTINGS/FRAMES/SUPPORTS AS NEEDED AND THE SAME MUST BE COMMUNICATED BACK TO ENGINEERING TEAM.
 - LENGTH OF ALL LONGITUDINAL FRAMES ARE FOR REFERENCE ONLY AND SUBJECTED TO CHANGE PER REQUIREMENT.



Isometric view 1



Isometric View 2

ITEM NO.	PART NUMBER	DESCRIPTION	QTY.
21	Square Tube 121 Frame 14	40 X 40 X 2.6 X 480	AS REQUIRED
20	Square Tube 121 Frame 13	40 X 40 X 2.6 X 630	AS REQUIRED
19	Rectangle Tube 121 Frame 5	50 X 25 X 2 X 1189	AS REQUIRED
18	Square Tube 121 Frame 12	40 X 40 X 2.6 X 1142	AS REQUIRED
17	Rectangle Tube 121 Frame 4	50 X 25 X 2 X 907	AS REQUIRED
16	Square Tube 121 Frame 11	40 X 40 X 2.6 X 657	AS REQUIRED
15	Rectangle Tube 121 Frame 3	50 X 25 X 2 X 875	AS REQUIRED
14	Square Tube 121 Frame 10	40 X 40 X 2.6 X 672	AS REQUIRED
13	Square Tube 121 Frame 9	40 X 40 X 2.6 X 630	AS REQUIRED
12	Square Tube 121 Frame 8	25 X 25 X 1.6 X 470	AS REQUIRED
11	FRAME BASE	-----	AS REQUIRED
10	Cover Plate	AS REQUIRED	AS REQUIRED
9	Square Tube 121 Frame 7	25 X 25 X 1.6 X 218	AS REQUIRED
8	Square Tube 121 Frame 6	25 X 25 X 1.6 X 223	AS REQUIRED
7	Square Tube 121 Frame 5	25 X 25 X 1.6 X 227	AS REQUIRED
6	Square Tube 121 Frame 4	25 X 25 X 1.6 X 241	AS REQUIRED
5	Square Tube 121 Frame 3	25 X 25 X 1.6 X 877	AS REQUIRED
4	Rectangle Tube 121 Frame 2	50 X 25 X 2 X 2594	AS REQUIRED
3	Square Tube 121 Frame 2	40 X 40 X 2.6 X 1163	AS REQUIRED
2	Square Tube 121 Frame 1	40 X 40 X 2.6 X 610	AS REQUIRED
1	Rectangle Tube 121 Frame 1	50 X 25 X 2 X AS REQUIRED	AS REQUIRED

This drawing is our property. It can't be reproduced or communicated without our written agreement.

APL APOLLO TUBES LTD.

DRAWING TITLE: **HAND RAILING 123**

SIZE: **A0** DRAWING NUMBER: **P2P HAND RAIL 4** REV: **00**

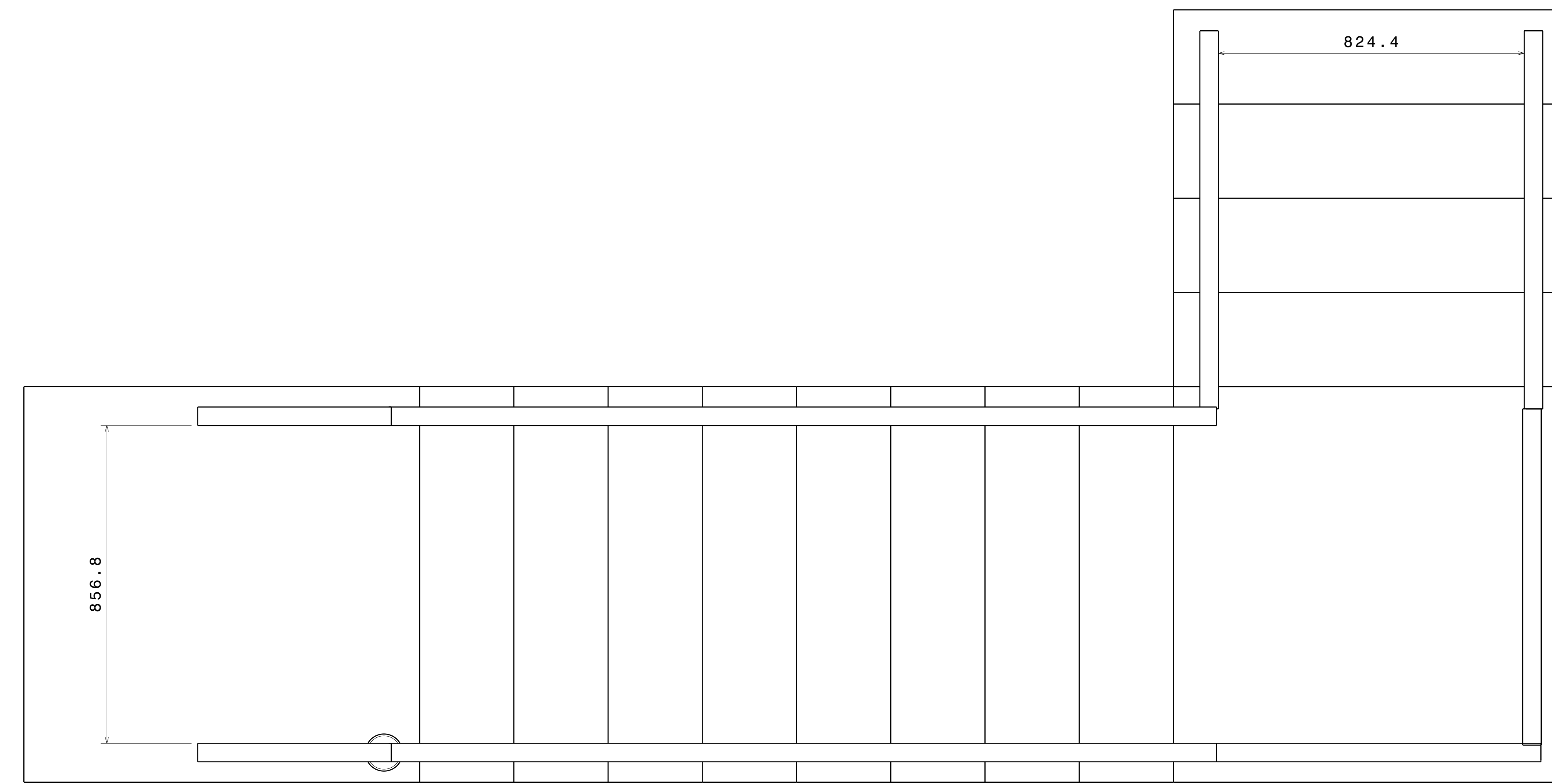
SCALE: **As Indicated** WEIGHT (kg): **0kg** SHEET **1** OF **3**

UNLESS OTHERWISE SPECIFIED DIMENSION ARE IN MM VIEWS: THIRD ANGLE PROJECTION

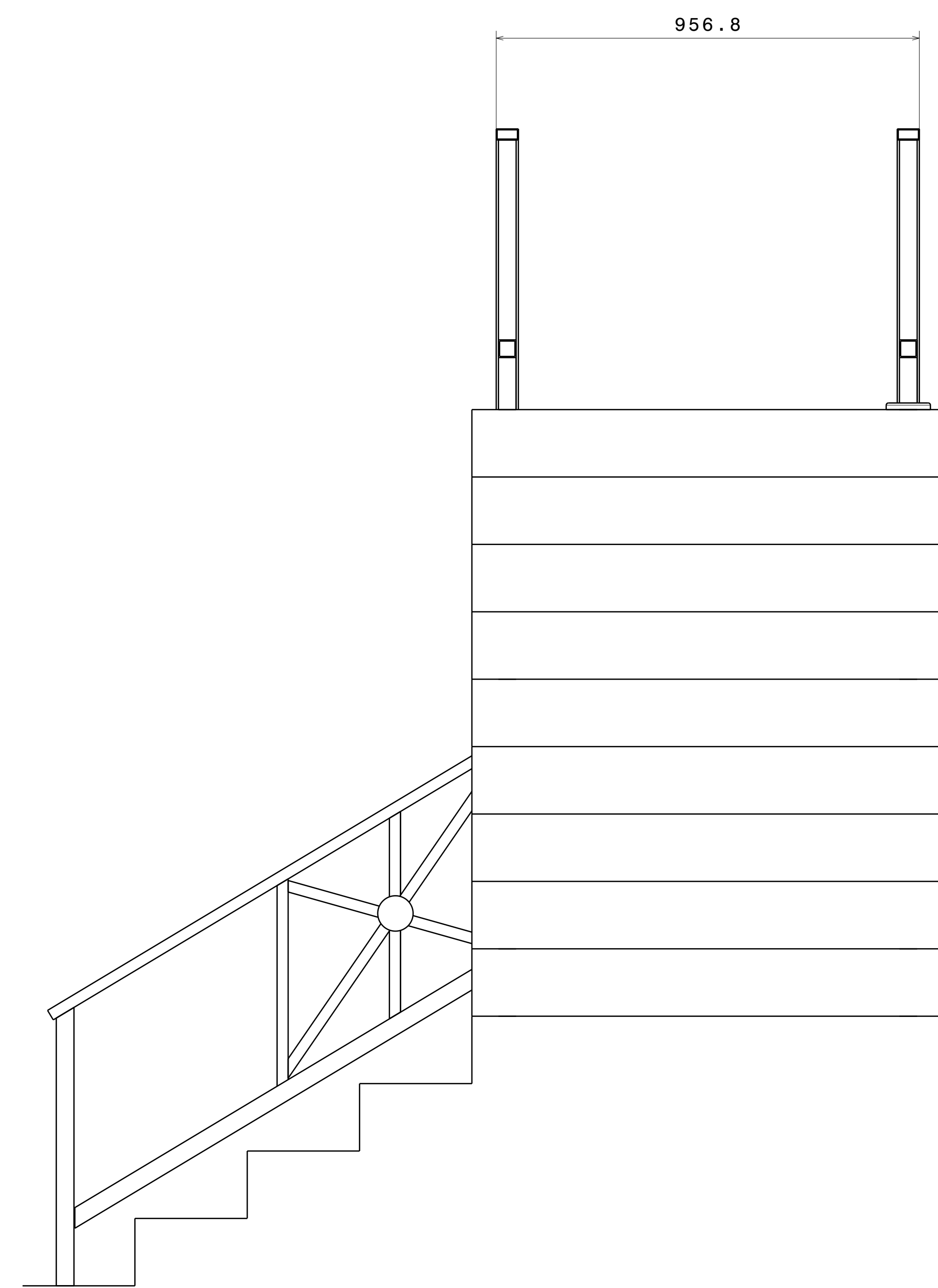
ITEM NO. 10 COVER PLATE AR 11 BASE FRAME AR

DESIGNED BY: P2P Analysis & Solutions DATE: 8MAR2020
 CHECKED BY: P2P Analysis & Solutions DATE: 8MAR2020
 DRAWN BY: SB DATE: 8MAR2020

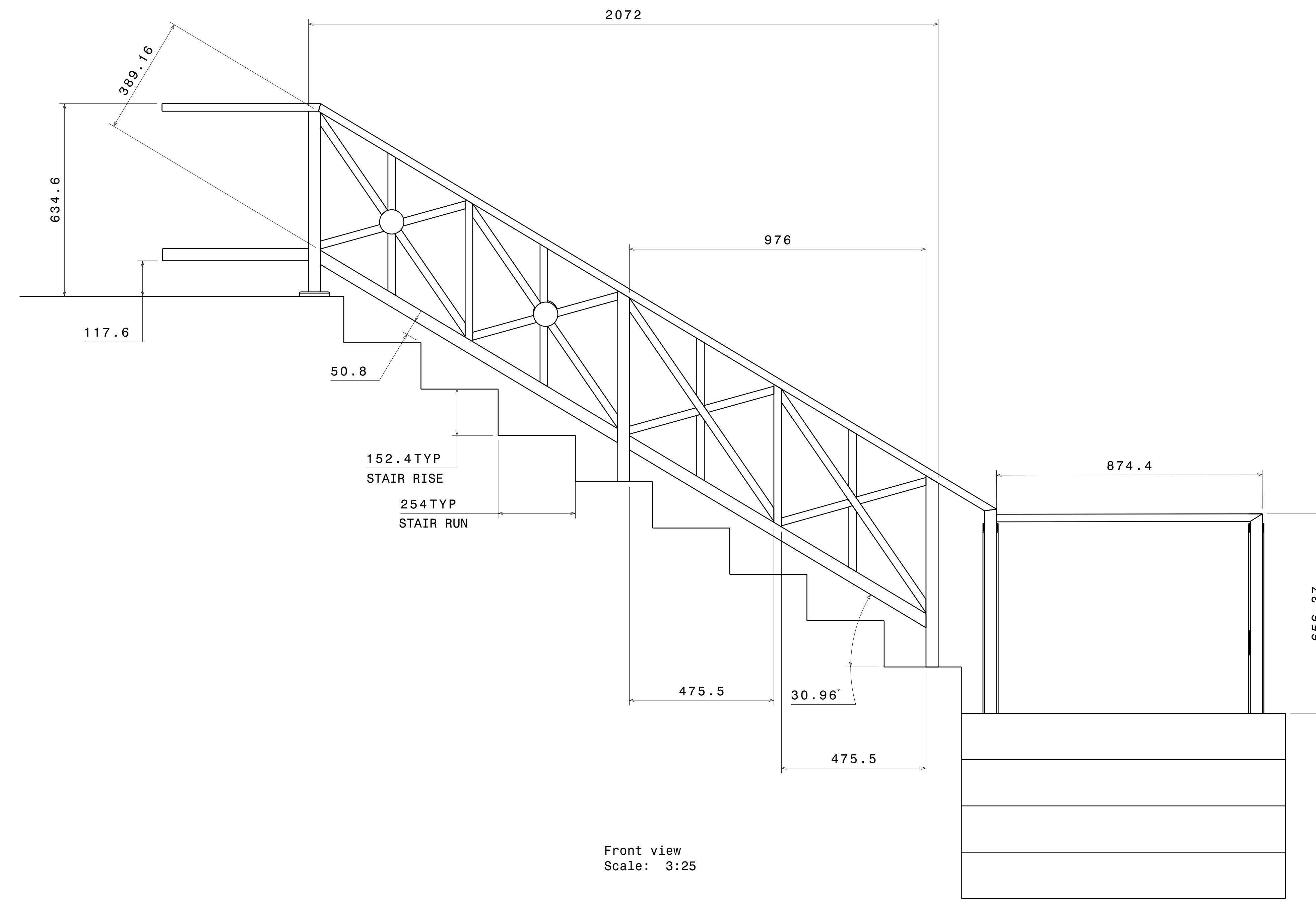
REV	DATE	DESCRIPTION
00	8MAR2020	INITIAL REVISION



Top view
Scale: 3:25

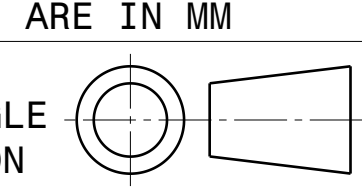


Left view
Scale: 3:25



Front view
Scale: 3:25

UNLESS OTHERWISE SPECIFIED DIMENSION ARE IN MM
VIEWS: THIRD ANGLE PROJECTION

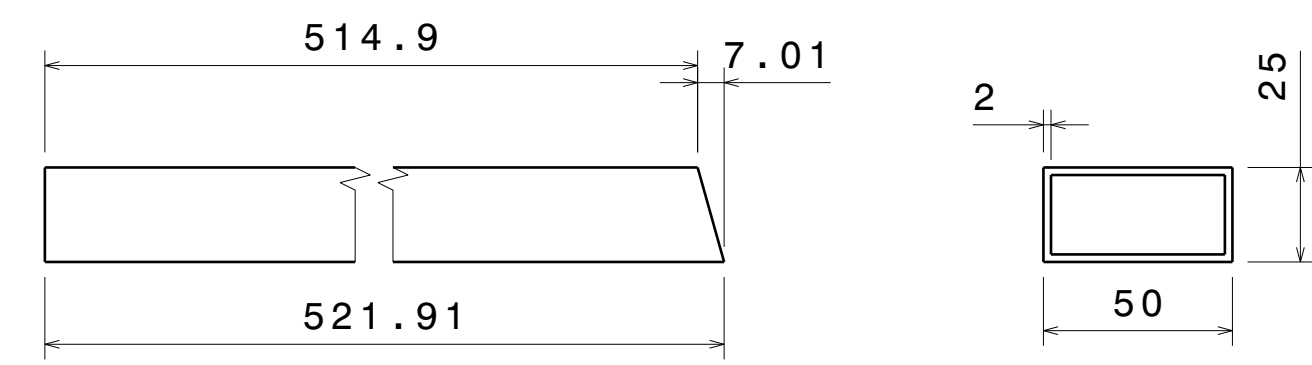


This drawing is our property. It can't be reproduced or communicated without our written agreement.

APL APOLLO TUBES LTD.

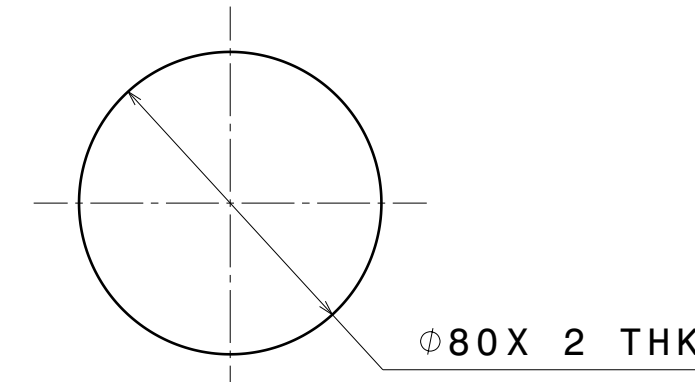
DRAWN BY		DATE		DRAWING TITLE			
SB		8MAR2020		HAND RAILING 123			
CHECKED BY		DATE		SIZE	DRAWING NUMBER		REV
P2P Analysis & Solutions		8MAR2020		A0	P2P HAND RAIL_4		00
DESIGNED BY		DATE		SCALE	WEIGHT (kg)	XXX	SHEET 2 OF 3
P2P Analysis & Solutions		8MAR2020		NONE			

REV	DATE	DESCRIPTION
00	8MAR2020	INITIAL REVISION

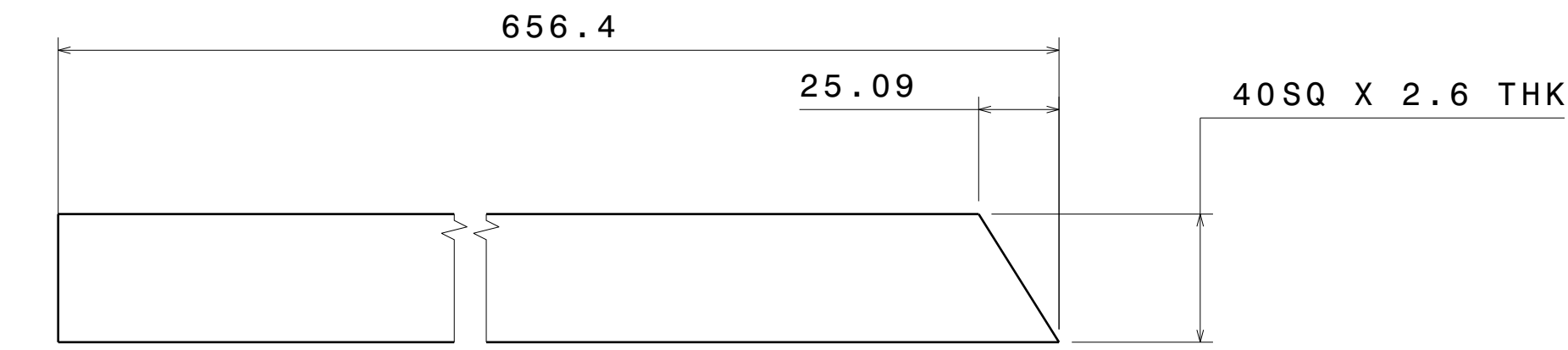


ITEM 1

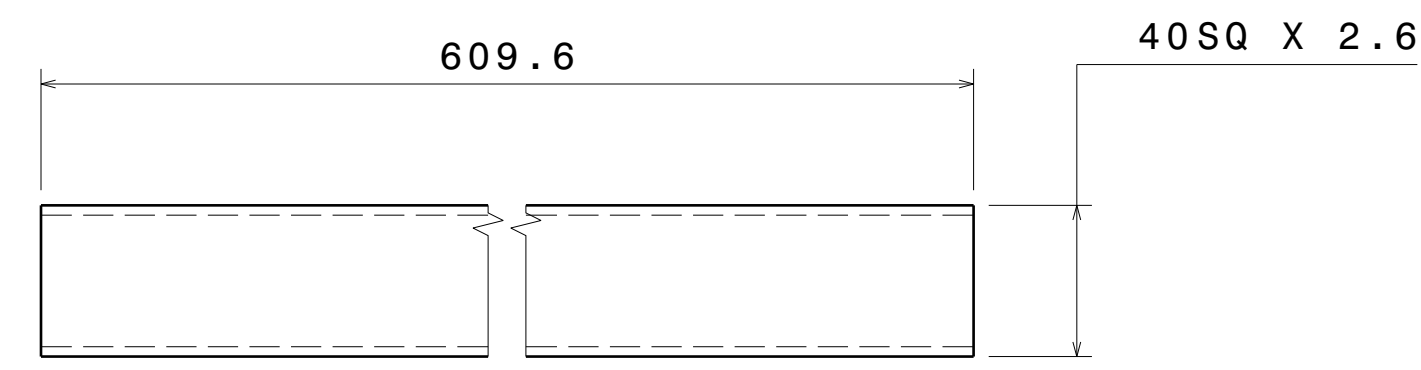
Right view
Scale: 1:2



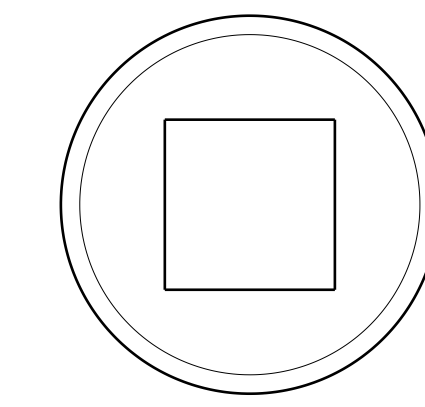
ITEM 10



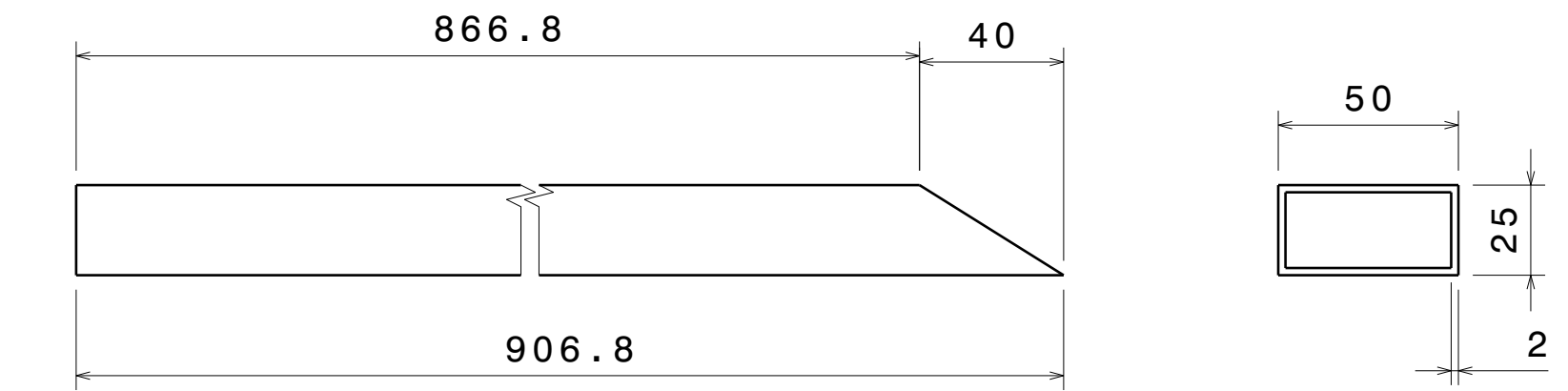
ITEM 16



ITEM 2

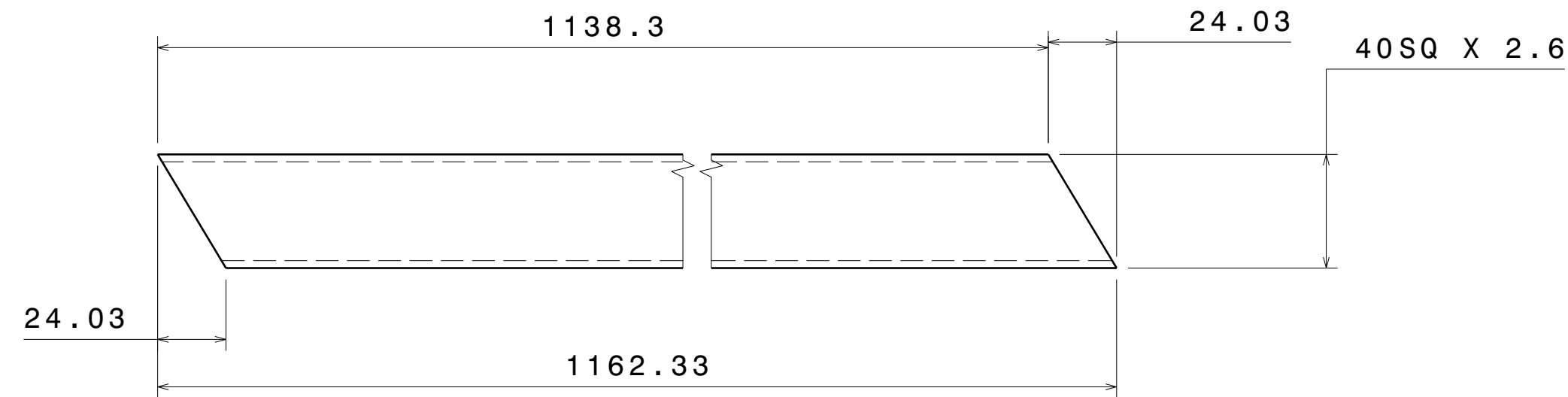


ITEM 11
FRAME BASE

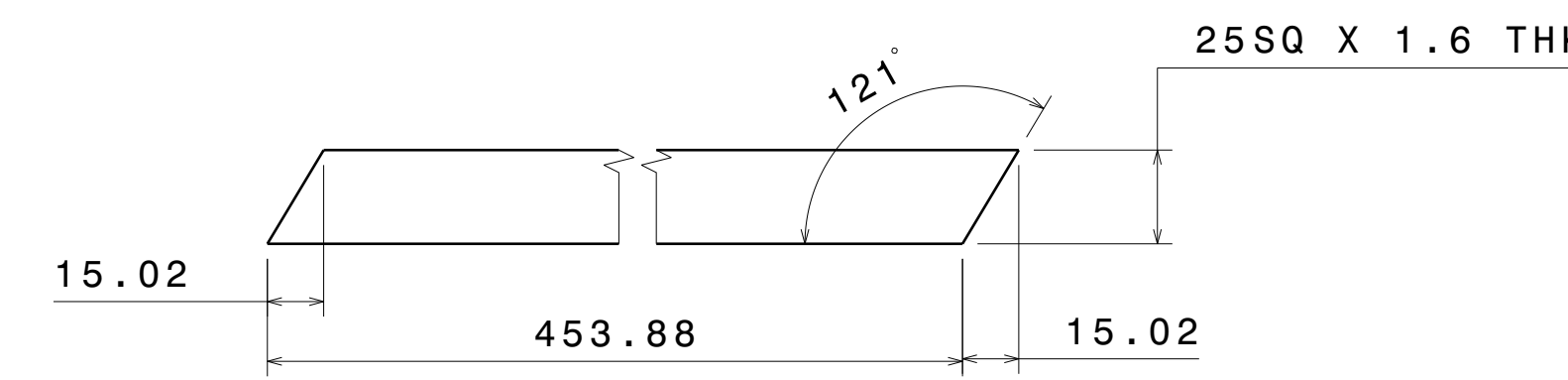


ITEM 17

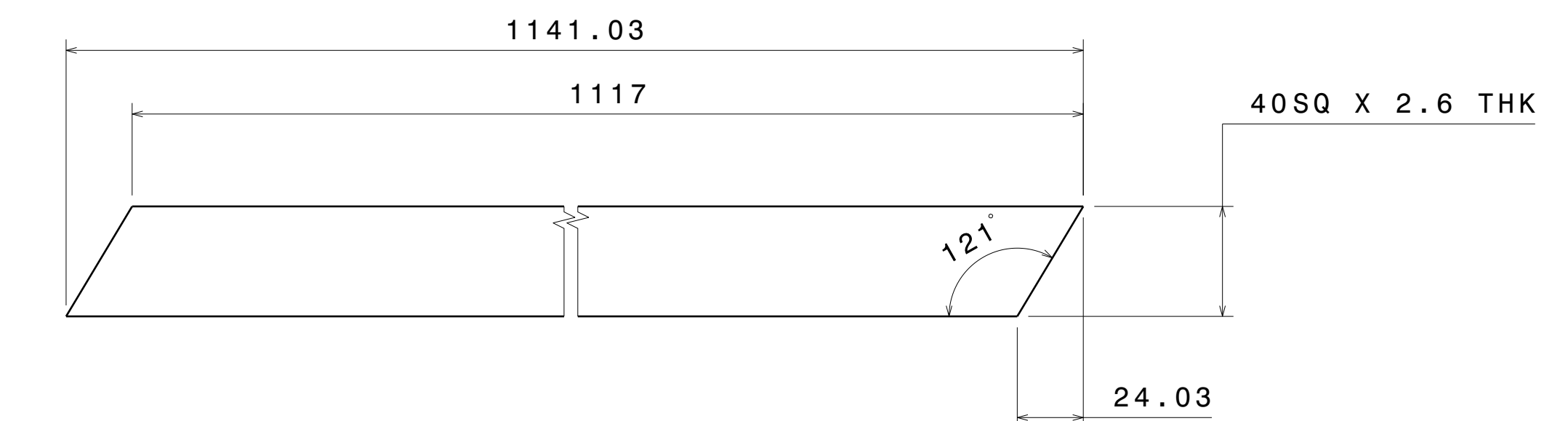
Right view
Scale: 1:2



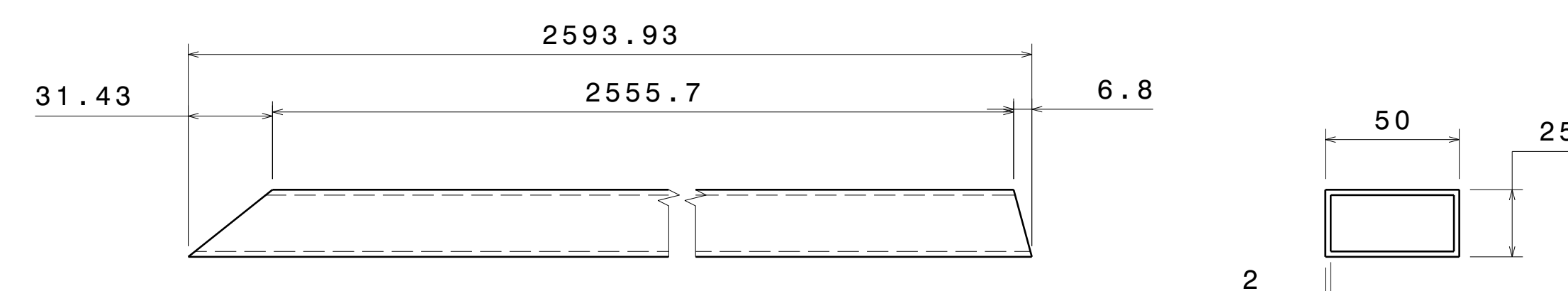
ITEM 3



ITEM 12

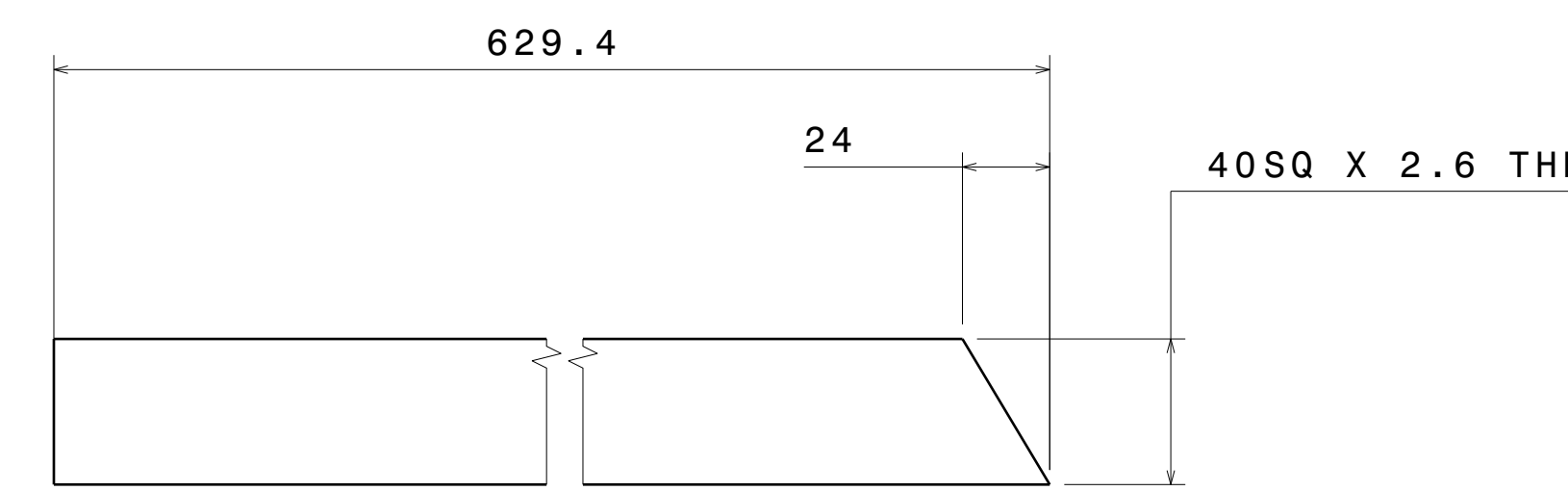


ITEM 18

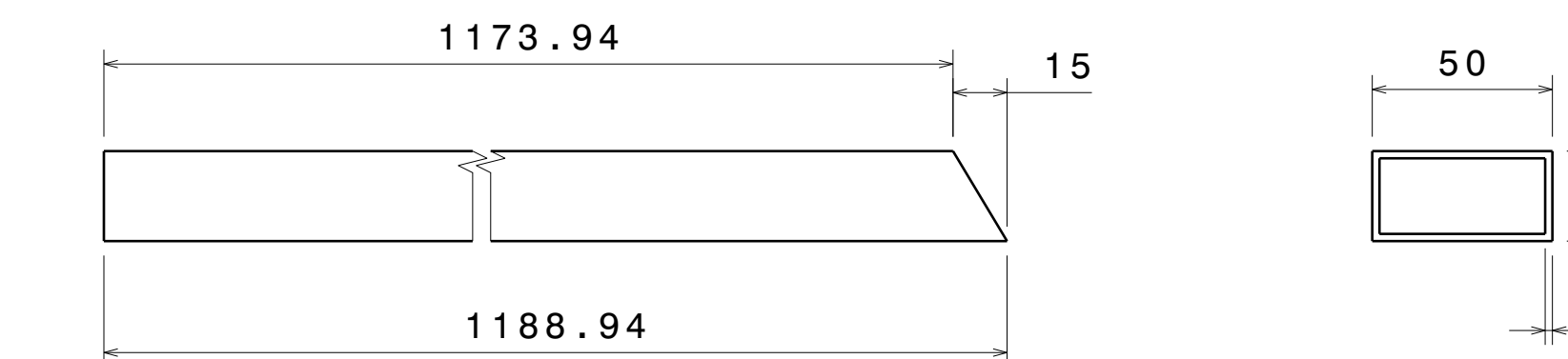


ITEM 4

Right view
Scale: 1:2

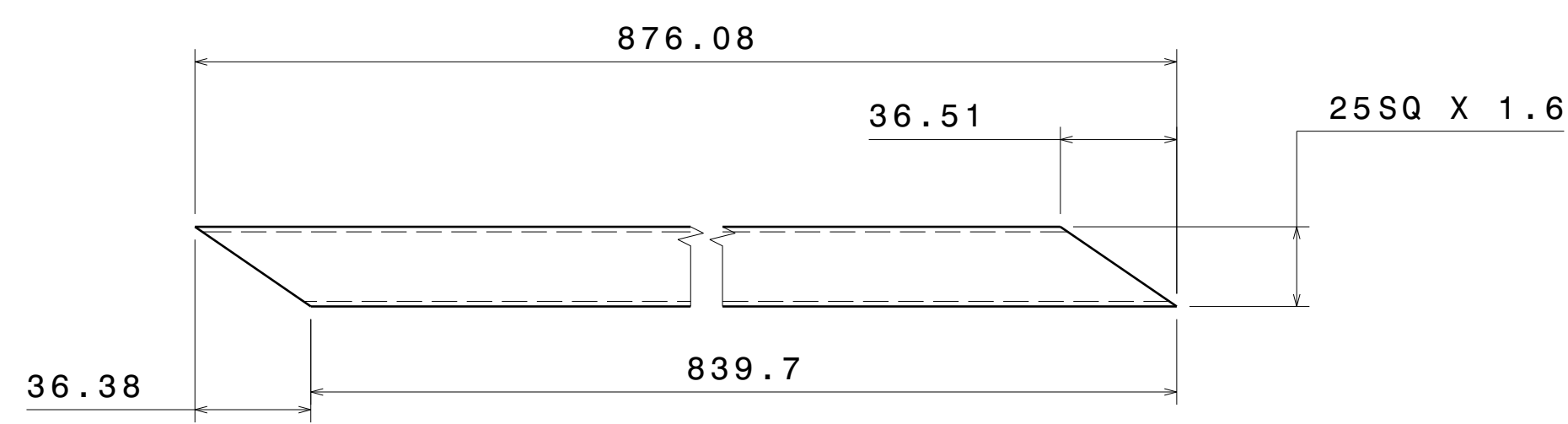


ITEM 13

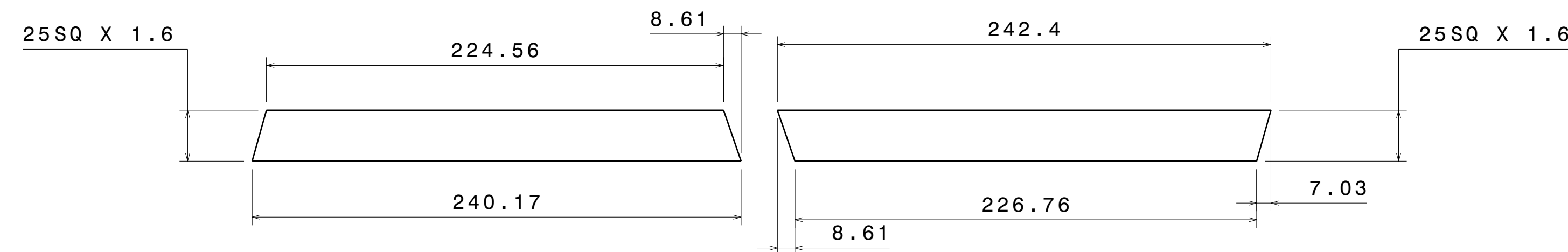


ITEM 19

Right view
Scale: 1:2

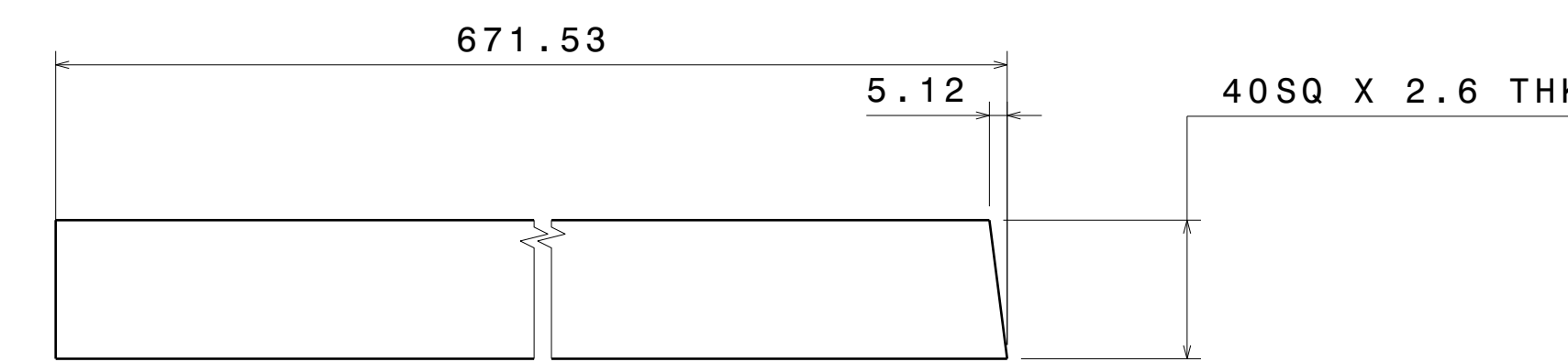


ITEM 5

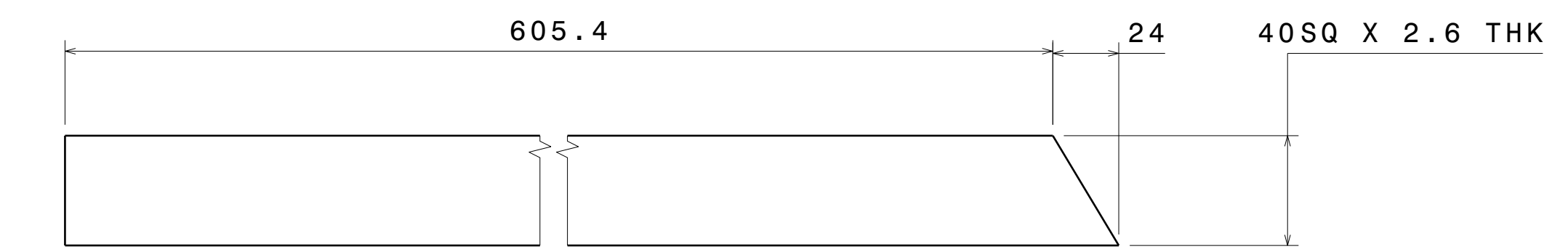


ITEM 6

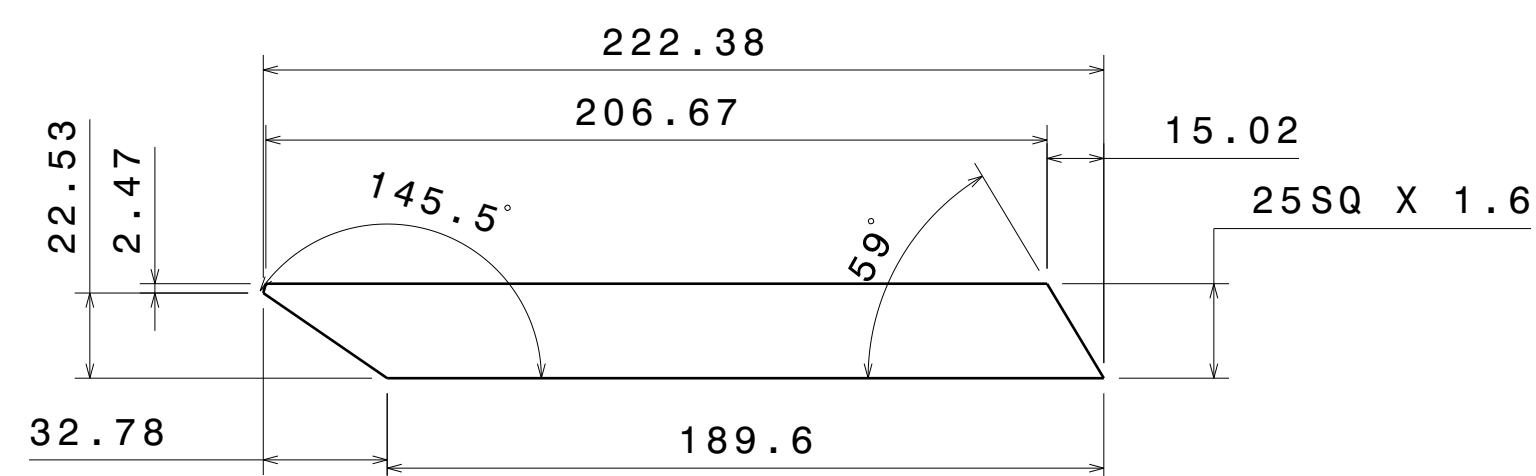
ITEM 7



ITEM 14



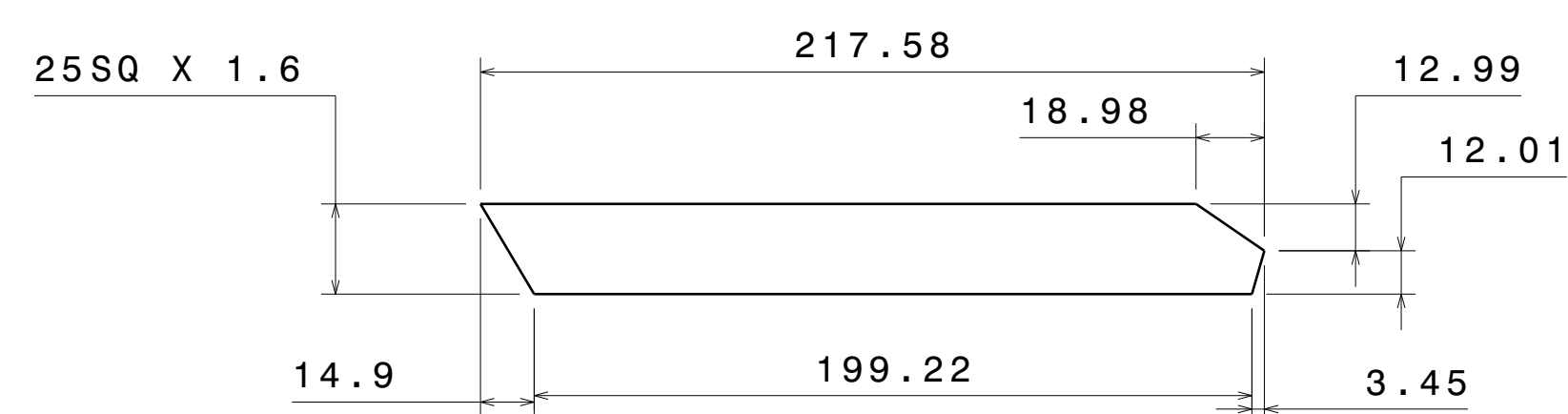
ITEM 20



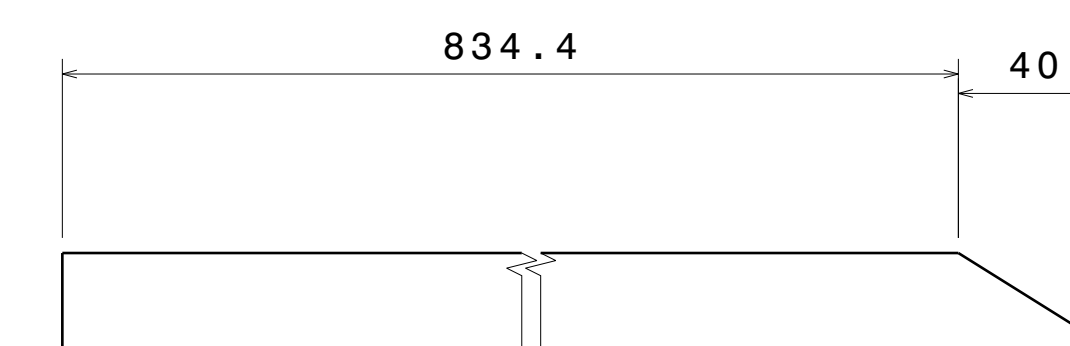
ITEM 8



ITEM 21



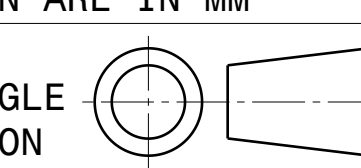
ITEM 9



ITEM 15

Right view
Scale: 1:2

UNLESS OTHERWISE SPECIFIED DIMENSION ARE IN MM VIEWS: THIRD ANGLE PROJECTION



This drawing is our property. It can't be reproduced or communicated without our written agreement.

DRAWN BY	DATE
SB	8MAR2020
CHECKED BY	DATE
P2P Analysis & Solutions	8MAR2020
DESIGNED BY	DATE
P2P Analysis & Solutions	8MAR2020

APL APOLLO TUBES LTD.		DRAWING TITLE	
		HAND RAILING 123	
SIZE	DRAWING NUMBER	REV	
A0	P2P HAND RAIL_4	00	
SCALE	NONE	WEIGHT (kg)	XXX
			SHEET 3 OF 3

