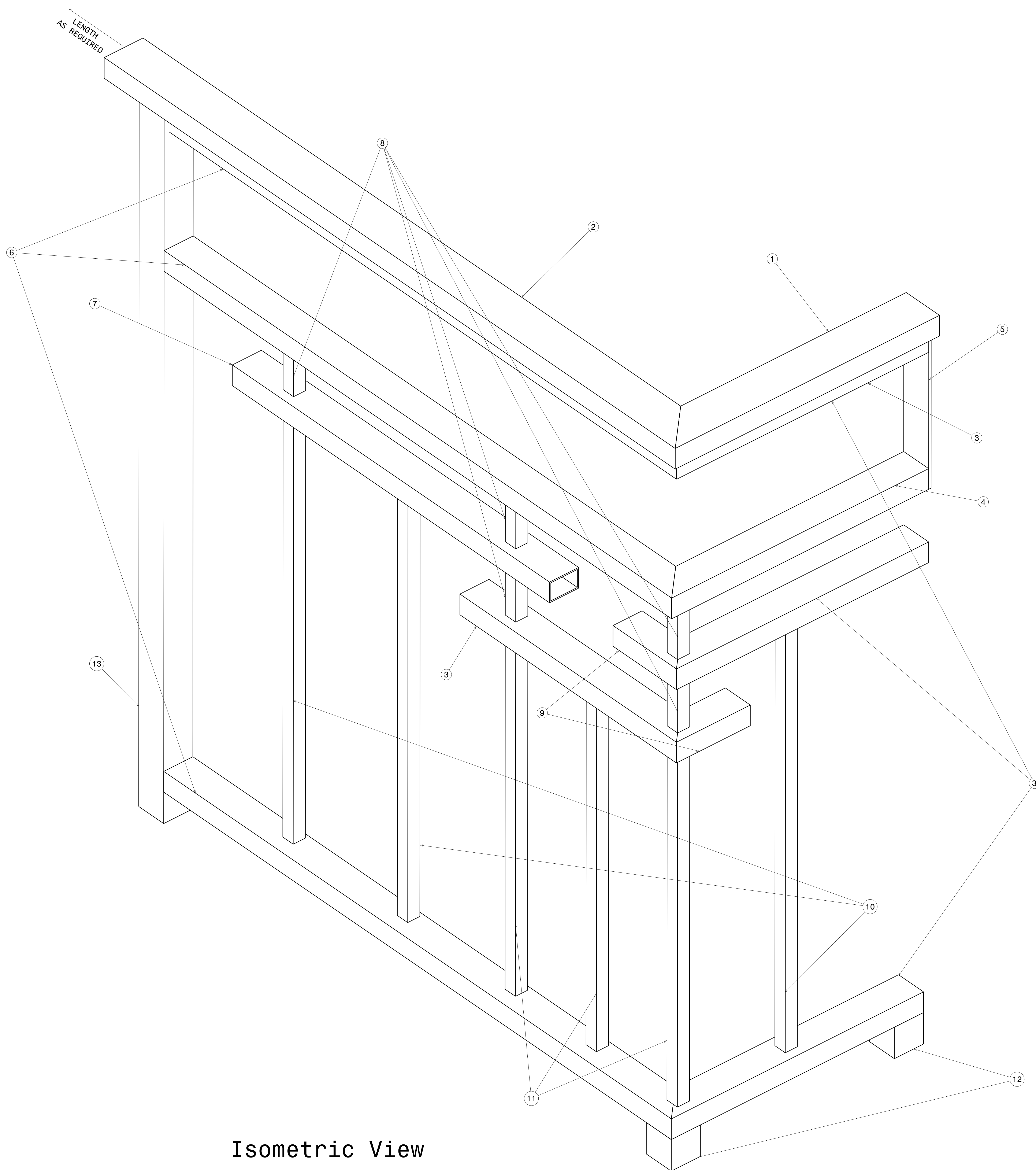


REV/DATE	DESCRIPTION
00 10MAR2020	INITIAL REVISION

- NOTES:
- (⊥) ALL VERTICAL SUPPORTS ARE PERPENDICULAR.
 - FLATNESS OF .5MM IS APPLIED BY DEFAULT.
 - ⊲ WELD BEAD OF 2MM RADIUS IS FOLLOWED.
 - ▽▽ SURFACE FINISH MEDIUM TO SMOOTH IS USED.
 - ALL TUBES ARE AS PER APL APOLLO STANDARD. CHANGES MAY EFFECT THE LOAD CAPACITY.
 - ALL HORIZONTAL AND VERTICAL TUBES ARE PERPENDICULAR TO EACH OTHER WITH ±1 DEG.
 - FINE WELDING IS REQUIRED AS PER MENTIONED DETAILS AND FINISHING.
 - HIGHER CURRENT WELDING MAY AFFECT THE BRITTLENESS OF MATERIAL WHICH LATER MAY RAISE TO WEAKENING OF STRUCTURE.
 - APPROX. WEIGHT FOR THE DRAWN STRUCTUTRE IS 60KG.
 - FABRICATORS ARE ALLOWED TO USE FITTINGS/FRAMES/SUPPORTS AS NEEDED AND THE SAME MUST BE COMMUNICATED BACK TO ENGINEERING TEAM.
 - LENGTH OF ALL LONGITUDINAL FRAMES ARE FOR REFERENCE ONLY AND SUBJECTED TO CHANGE PER REQUIREMENT.



ITEM NO.	PART NUMBER	DESCRIPTION	QTY.
13	Square Tube 119 Frame 5	60 X 60 X 2.6 X 1372	AS REQUIRED
12	Square Tube 119 Frame 4	60 X 60 X 2.6 X 62	AS REQUIRED
11	Square Tube 119 Frame 3	25 X 25 X 1.6 X 683	AS REQUIRED
10	Square Tube 119 Frame 2	25 X 25 X 1.6 X 825	AS REQUIRED
9	Rectangle Tube 119 Frame 7	60 X 40 X 2.6 X 153	AS REQUIRED
8	Square Tube 119 Frame 1	25 X 25 X 1.6 X 102	AS REQUIRED
7	Rectangle Tube 119 Frame 6	60 X 40 X 2.6 X 762	AS REQUIRED
6	Rectangle Tube 119 Frame 5	60 X 40 X 2.6 X 1220	AS REQUIRED
5	Rectangle Strip 1 - BOP	305 X 60 X 5	AS REQUIRED
4	Rectangle Tube 119 Frame 4	60 X 40 X 2.6 X 530	AS REQUIRED
3	Rectangle Tube 119 Frame 3	60 X 40 X 2.6 X 520	AS REQUIRED
2	Rectangle Tube 119 Frame 2	80 X 40 X 2.6 X AS REQUIRED	AS REQUIRED
1	Rectangle Tube 119 Frame 1	80 X 40 X 2.6 X 545	AS REQUIRED

This drawing is our property. It can't be reproduced or communicated without our written agreement.

APL APOLLO TUBES LTD.

DRAWING TITLE: **PAGE 119**

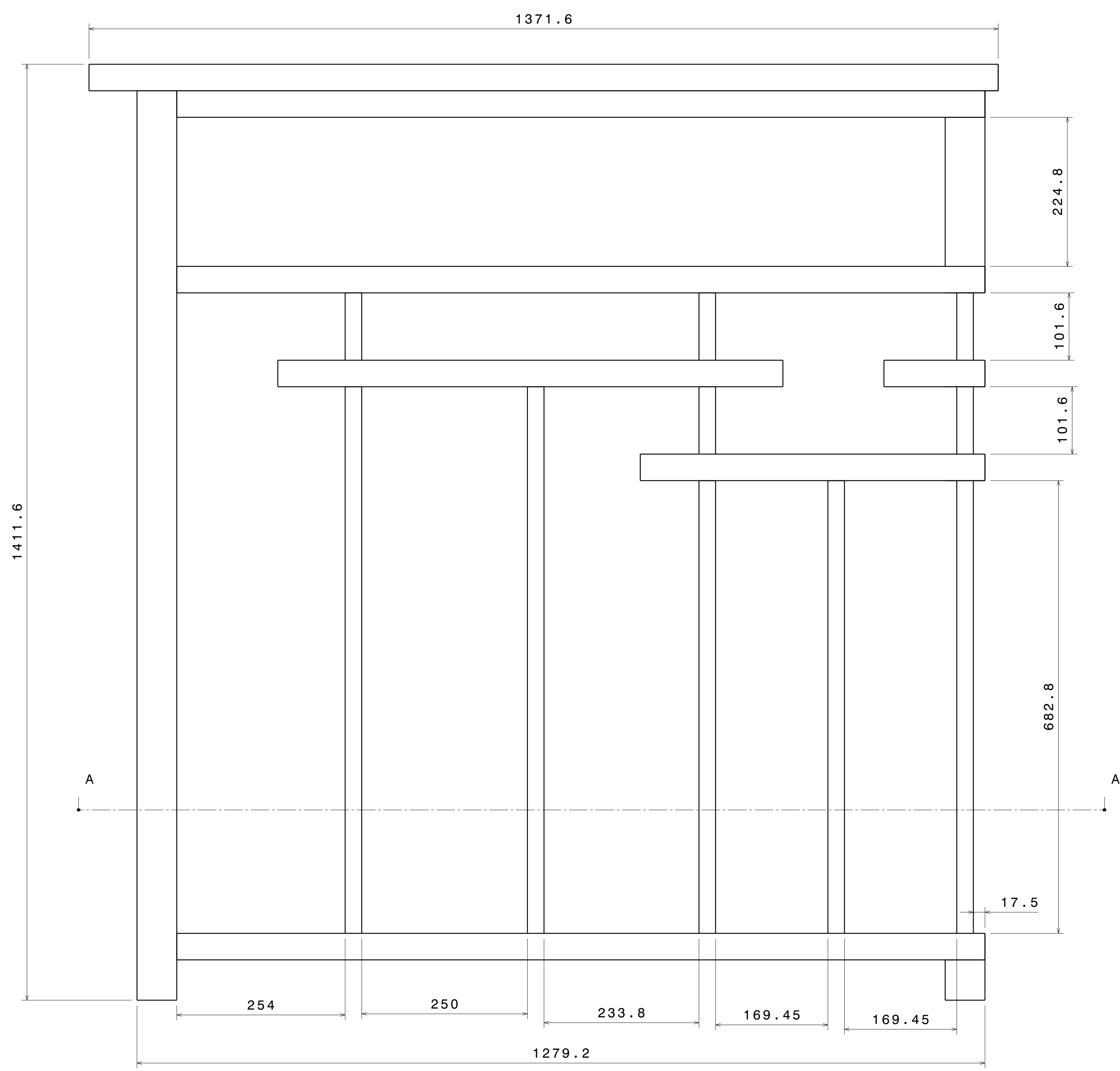
DRAWN BY: SB	DATE: 10MAR2020	CHECKED BY: P2P Analysis & Solutions	DATE: 10MAR2020	DESIGNED BY: P2P Analysis & Solutions	DATE: 10MAR2020
SIZE: A0		DRAWING NUMBER: P2P HAND RAIL_01		REV: 00	
SCALE: As Indicated		WEIGHT(kg): 0kg		SHEET 1 OF 3	

UNLESS OTHERWISE SPECIFIED DIMENSION ARE IN MM
 VIEWS: THIRD ANGLE PROJECTION

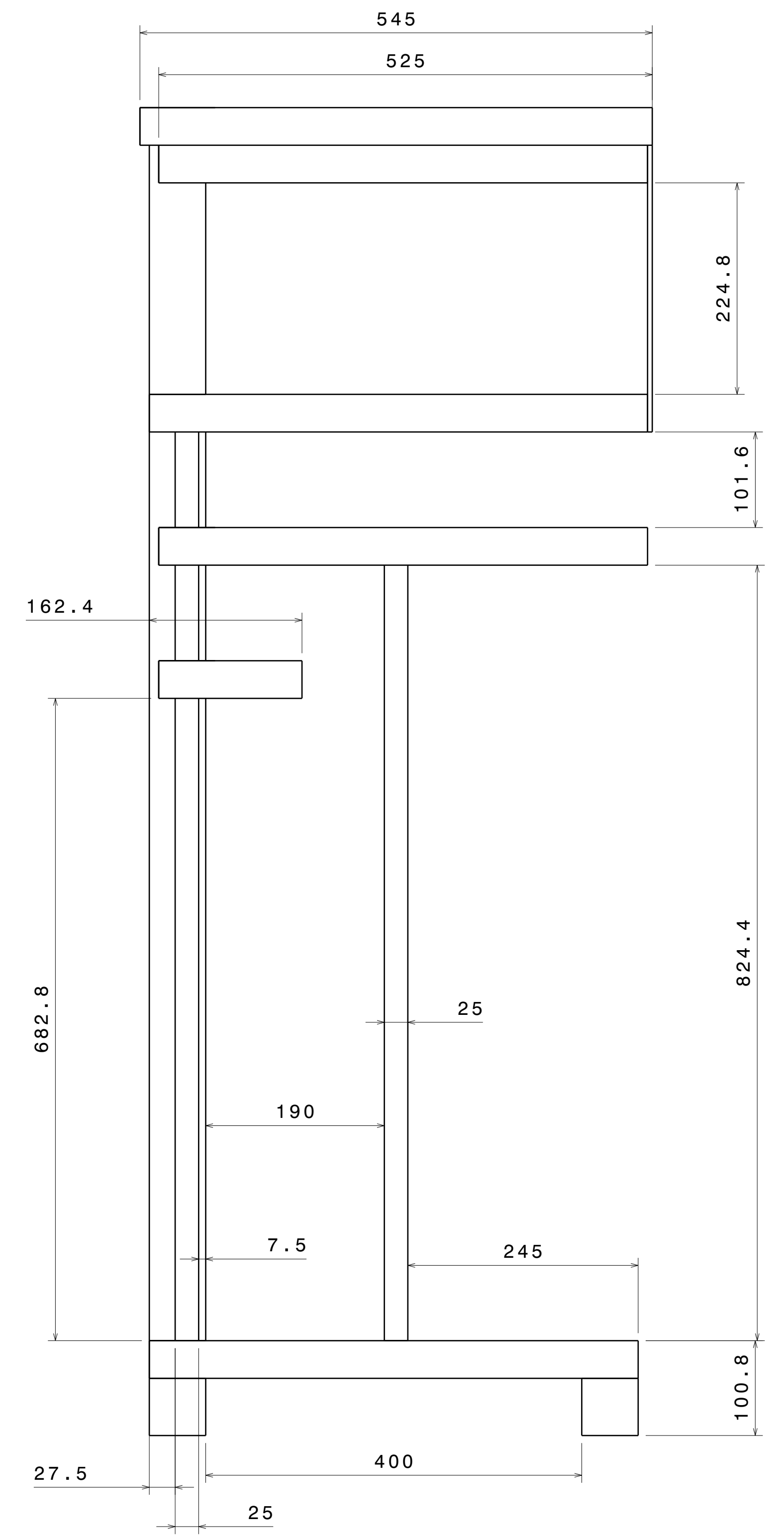
REV	DATE	DESCRIPTION
00	10MAR2020	INITIAL REVISION



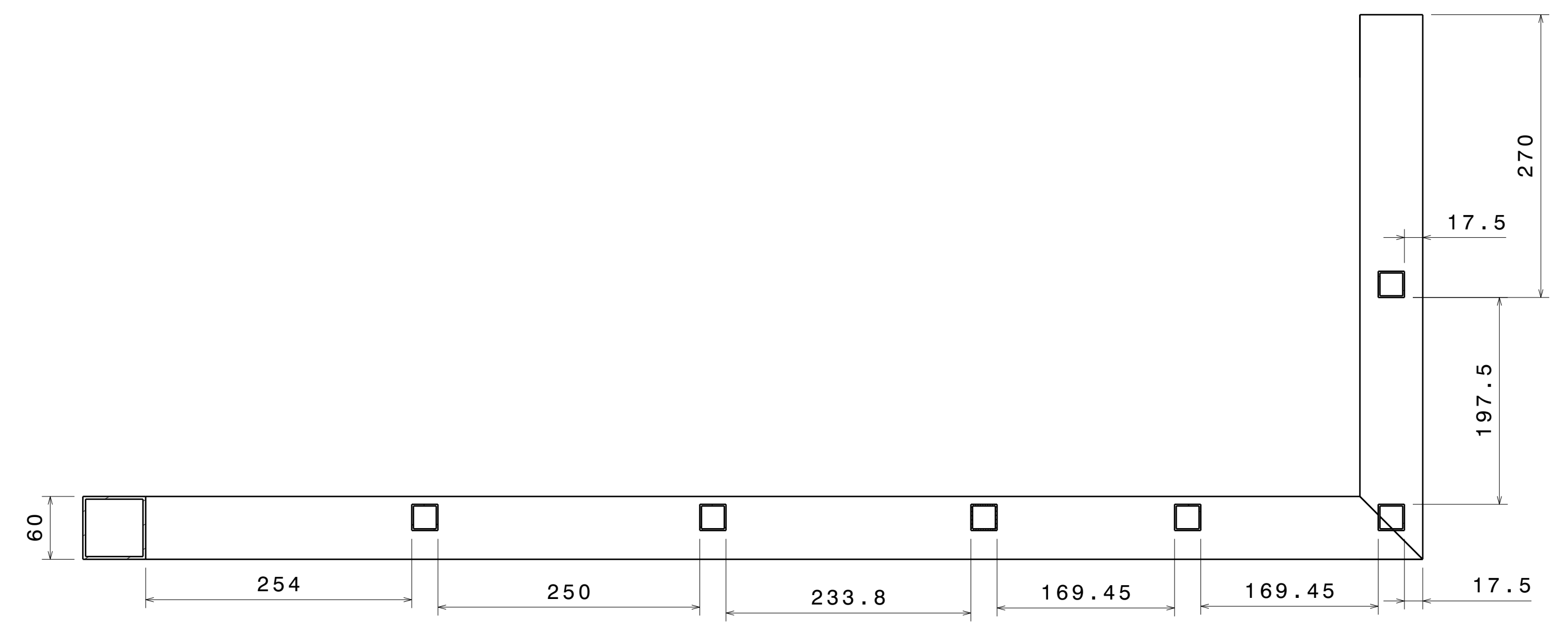
Top view
Scale: 1:4



Front view
Scale: 1:4

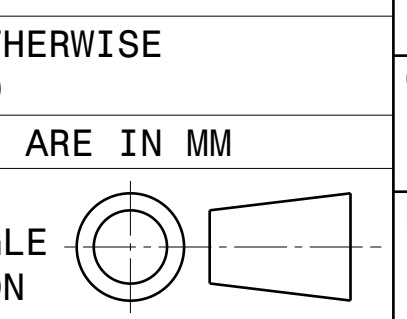



Right view
Scale: 1:4



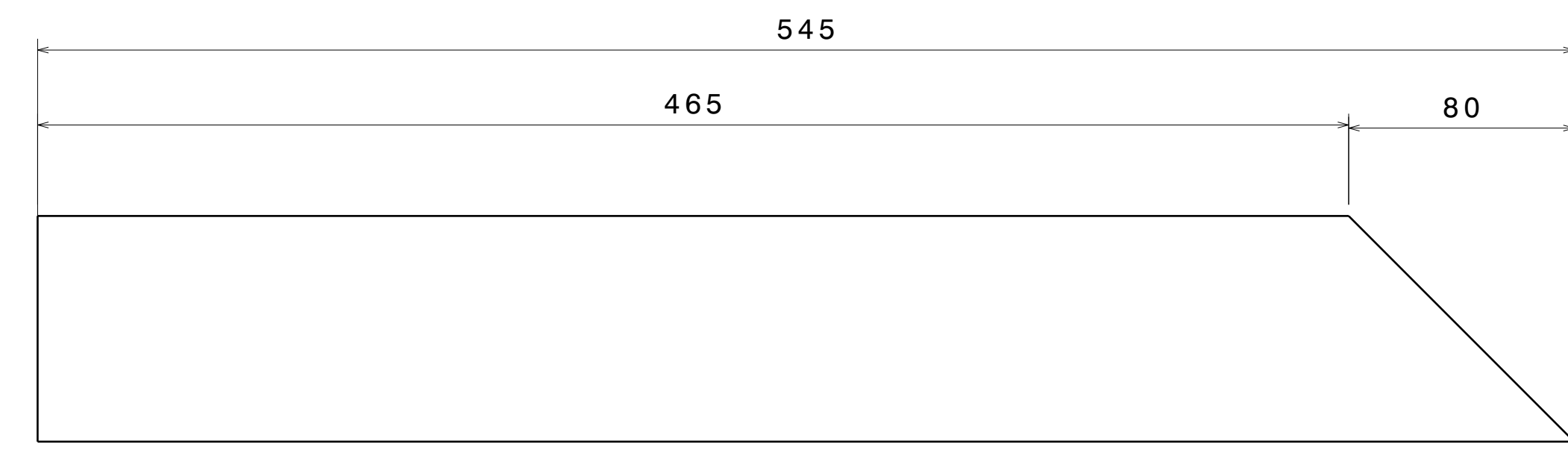
Section view A-A
Scale: 1:4

UNLESS OTHERWISE SPECIFIED DIMENSION ARE IN MM
VIEWS: THIRD ANGLE PROJECTION

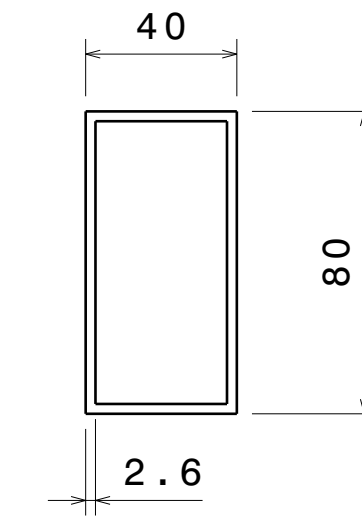


This drawing is our property. It can't be reproduced or communicated without our written agreement.		APL APOLLO TUBES LTD. 	
DRAWN BY SB		DATE 10MAR2020	
CHECKED BY P2P Analysis & Solutions		DATE 10MAR2020	
DESIGNED BY P2P Analysis & Solutions		DATE 10MAR2020	
DRAWING TITLE PAGE 119		SIZE A0	DRAWING NUMBER P2P_HAND RAIL_01
SCALE NONE		WEIGHT (kg) XXX	REV 00
		SHEET 2 OF 3	

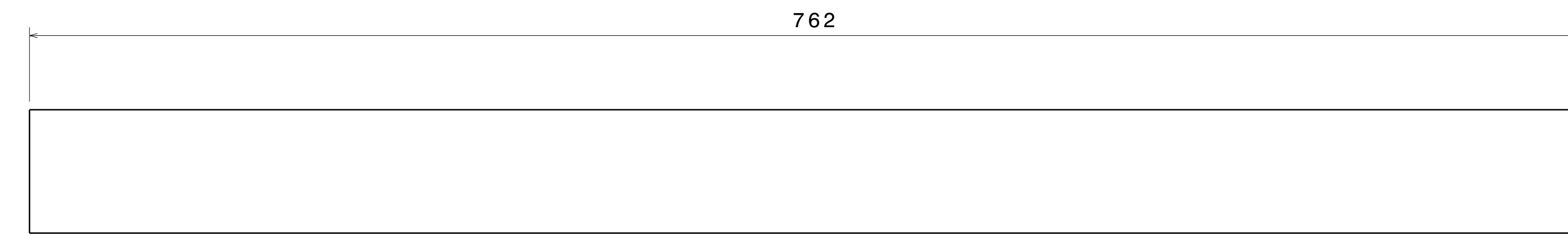
REV	DATE	DESCRIPTION
00	10MAR2020	INITIAL REVISION



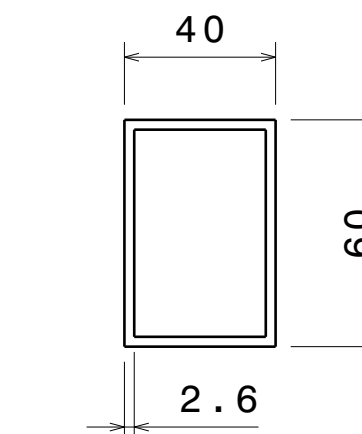
ITEM 1



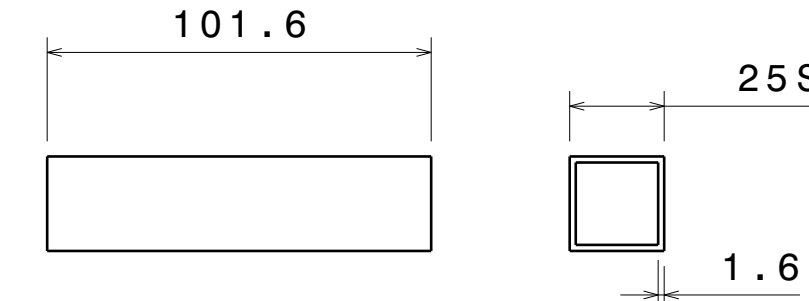
Right view
Scale: 1:2



ITEM 7

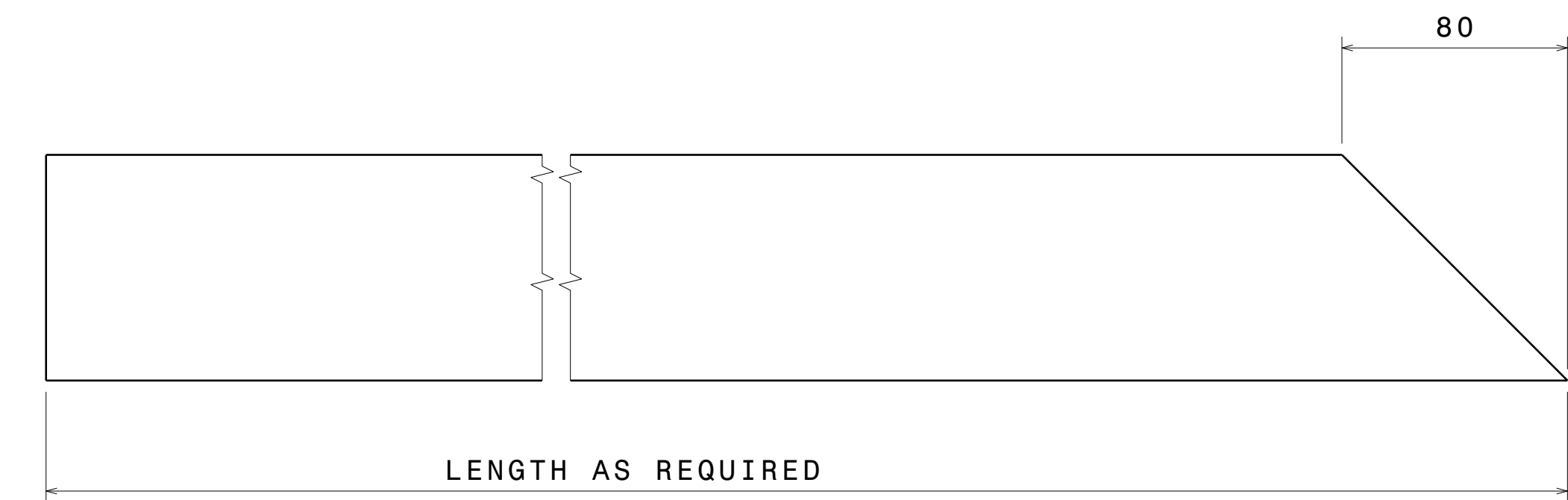


Right view
Scale: 1:2

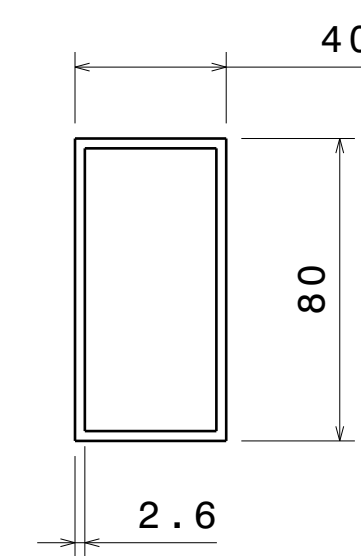


ITEM 8

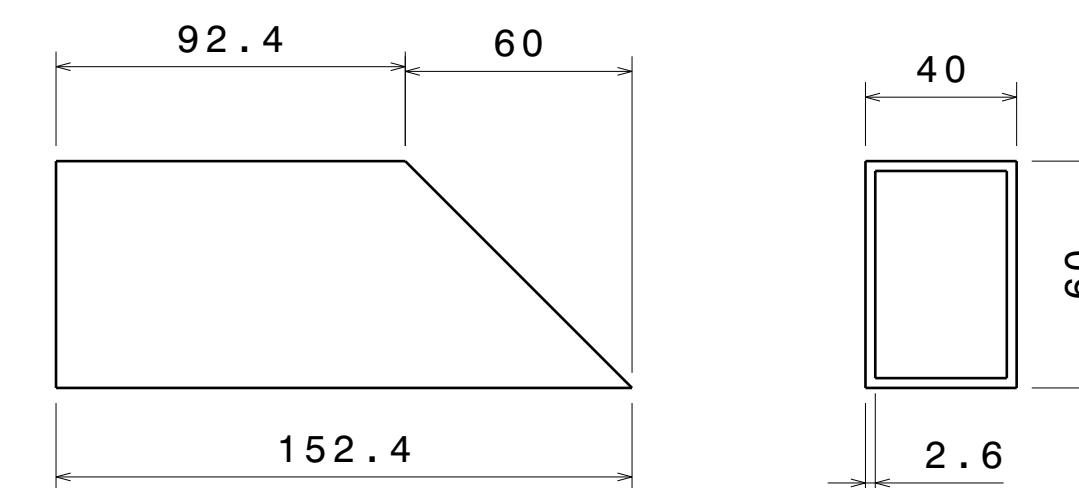
Right view
Scale: 1:2



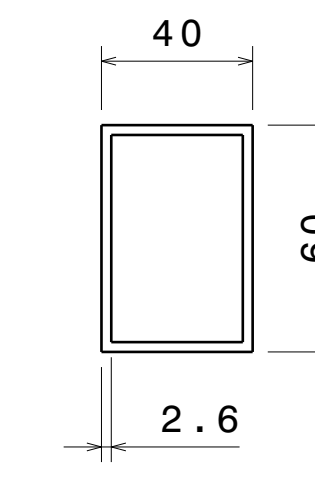
ITEM 2



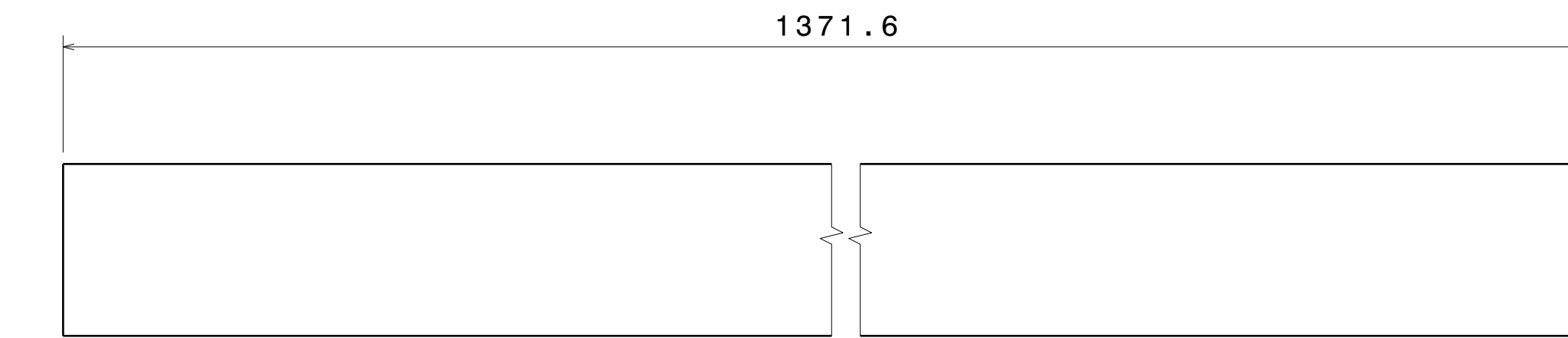
Right view
Scale: 1:2



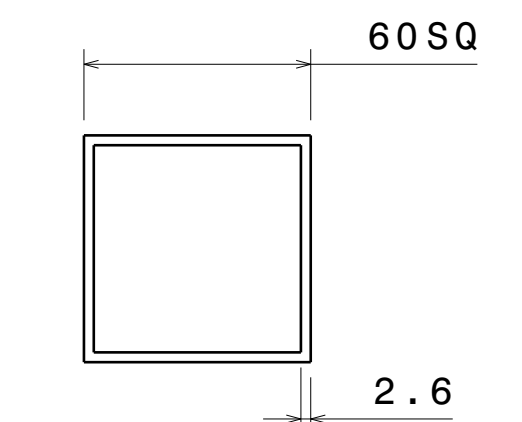
ITEM 9



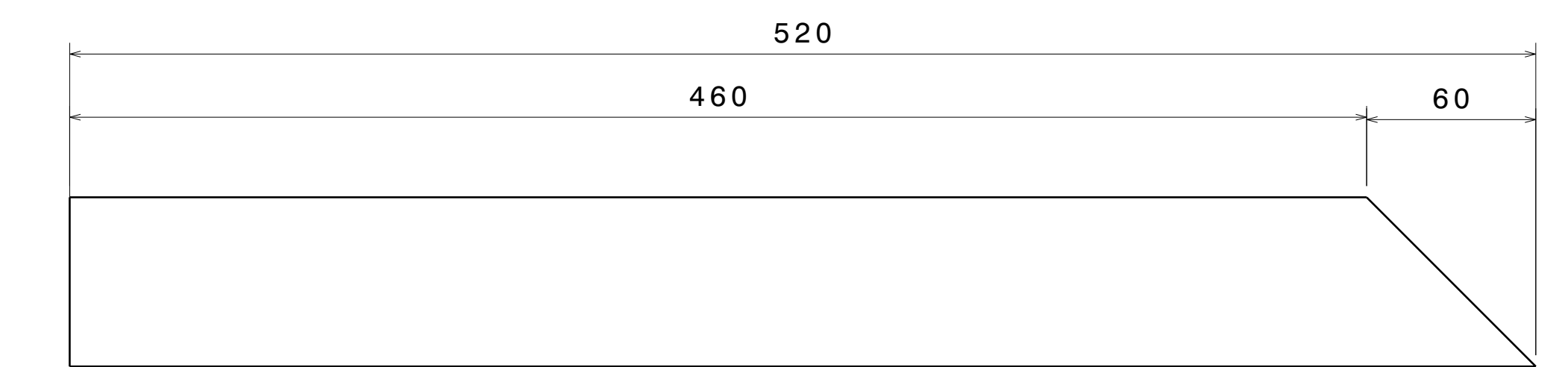
Right view
Scale: 1:2



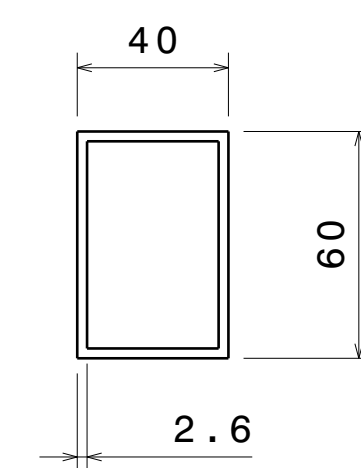
ITEM 13



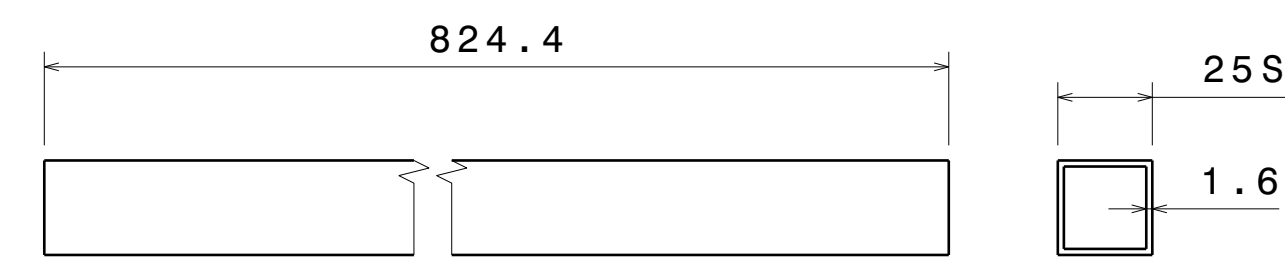
Right view
Scale: 1:2



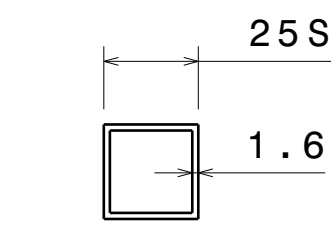
ITEM 3



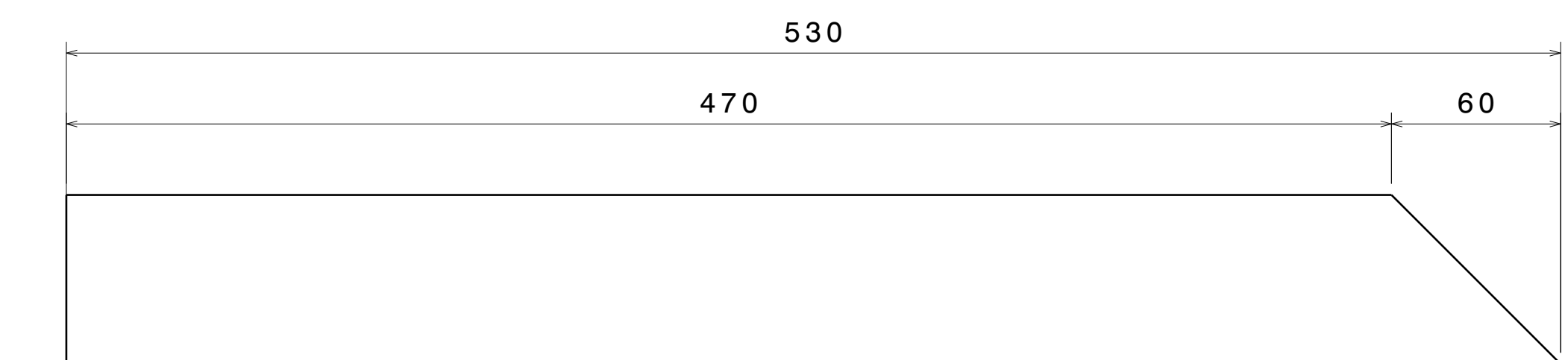
Right view
Scale: 1:2



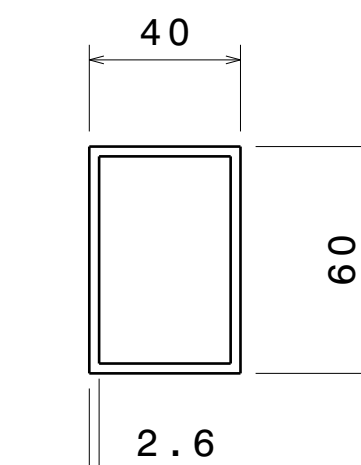
ITEM 10



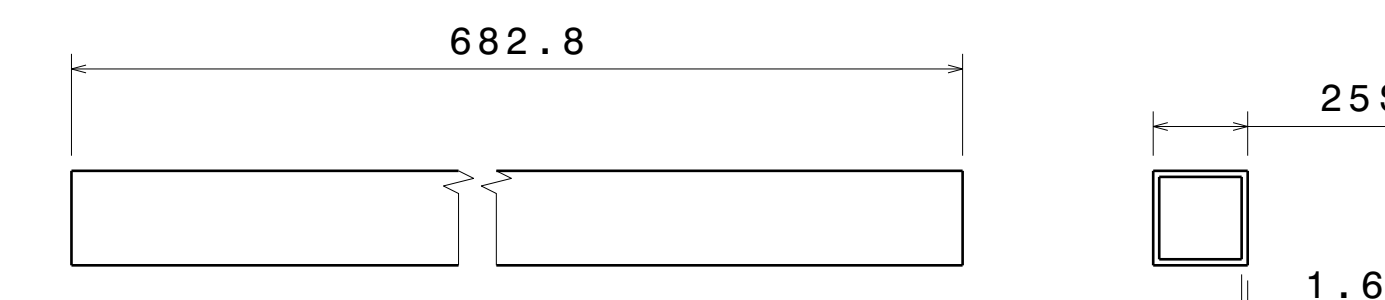
Right view
Scale: 1:2



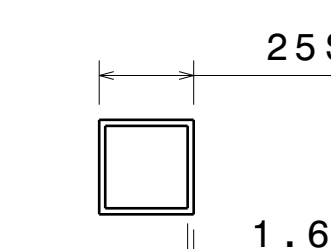
ITEM 4



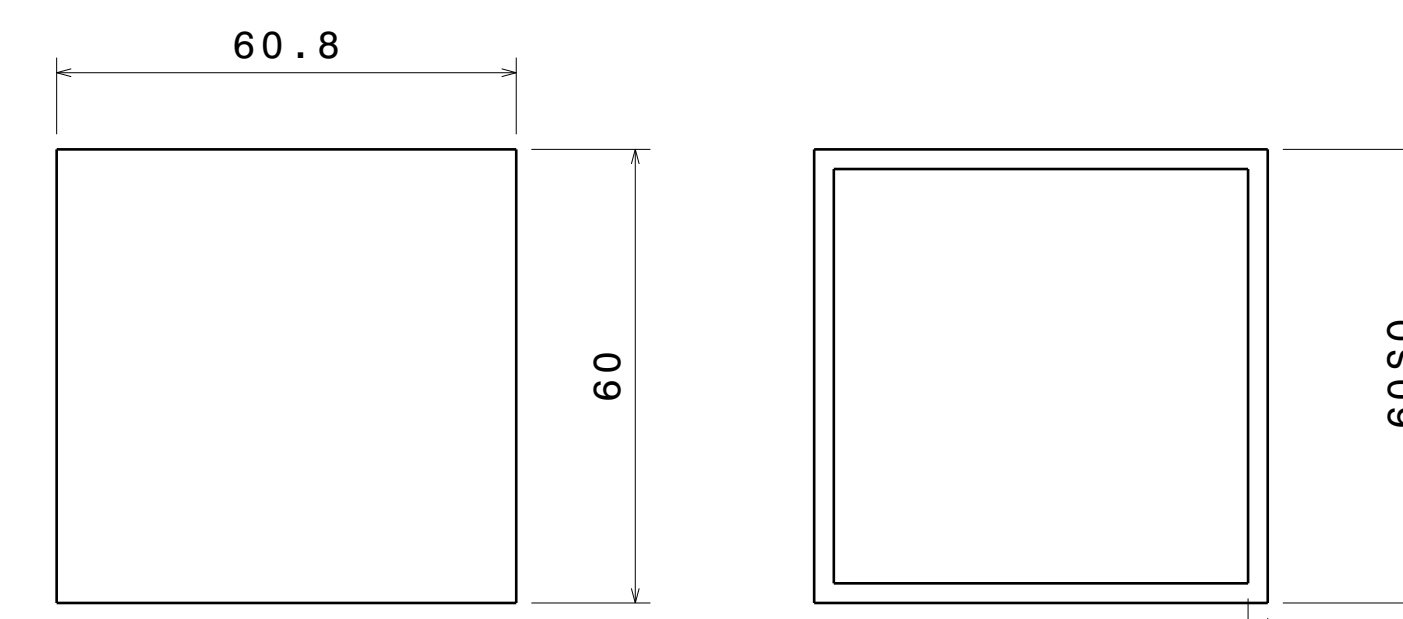
Right view
Scale: 1:2



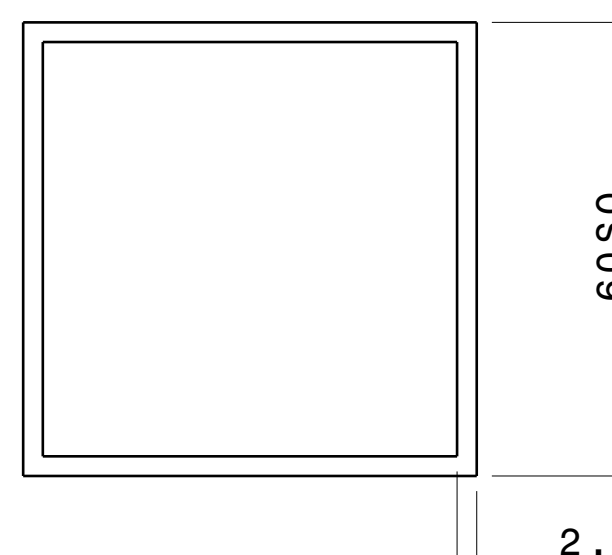
ITEM 11



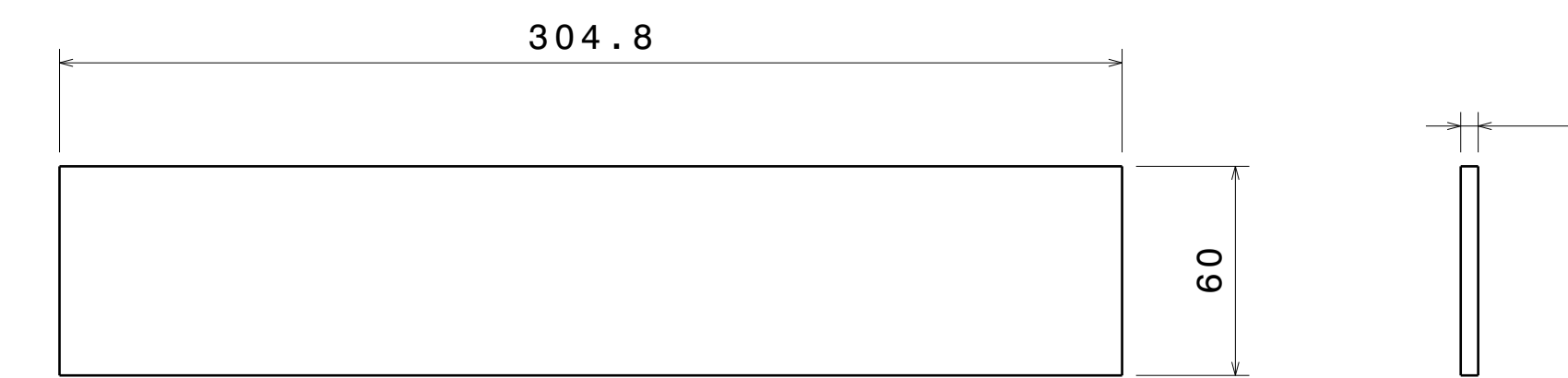
Right view
Scale: 1:2



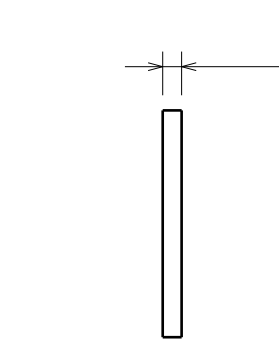
ITEM 12



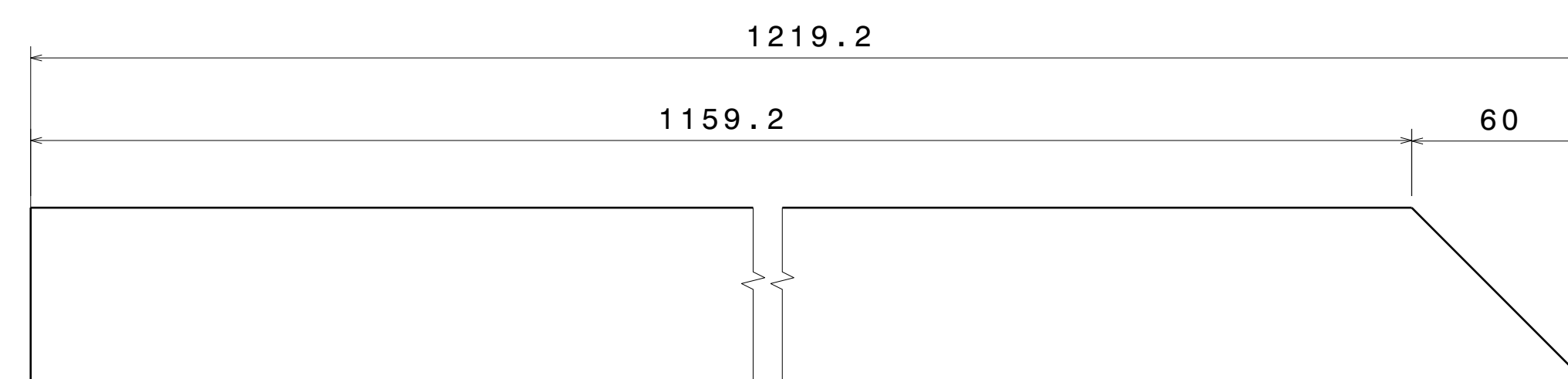
Right view
Scale: 1:1



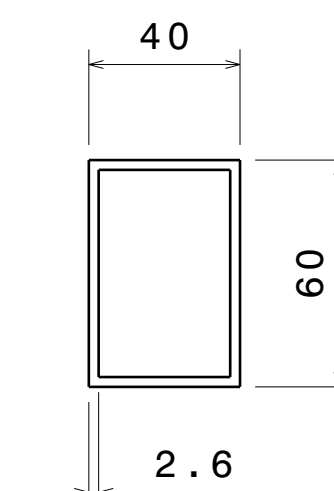
ITEM 5



Right view
Scale: 1:2

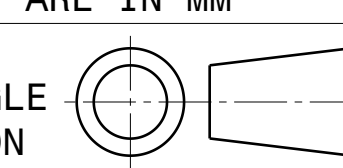


ITEM 6



Right view
Scale: 1:2

UNLESS OTHERWISE SPECIFIED DIMENSION ARE IN MM
VIEWS: THIRD ANGLE PROJECTION



This drawing is our property. It can't be reproduced or communicated without our written agreement.

DRAWN BY	DATE
SB	10MAR2020
CHECKED BY	DATE
P2P Analysis & Solutions	10MAR2020
DESIGNED BY	DATE
P2P Analysis & Solutions	10MAR2020

APL APOLLO TUBES LTD.

DRAWING TITLE			
PAGE 119			
SIZE	DRAWING NUMBER	REV	
A0	P2P HAND RAIL_01	00	
SCALE	NONE	WEIGHT (kg)	XXX
			SHEET 3 OF 3