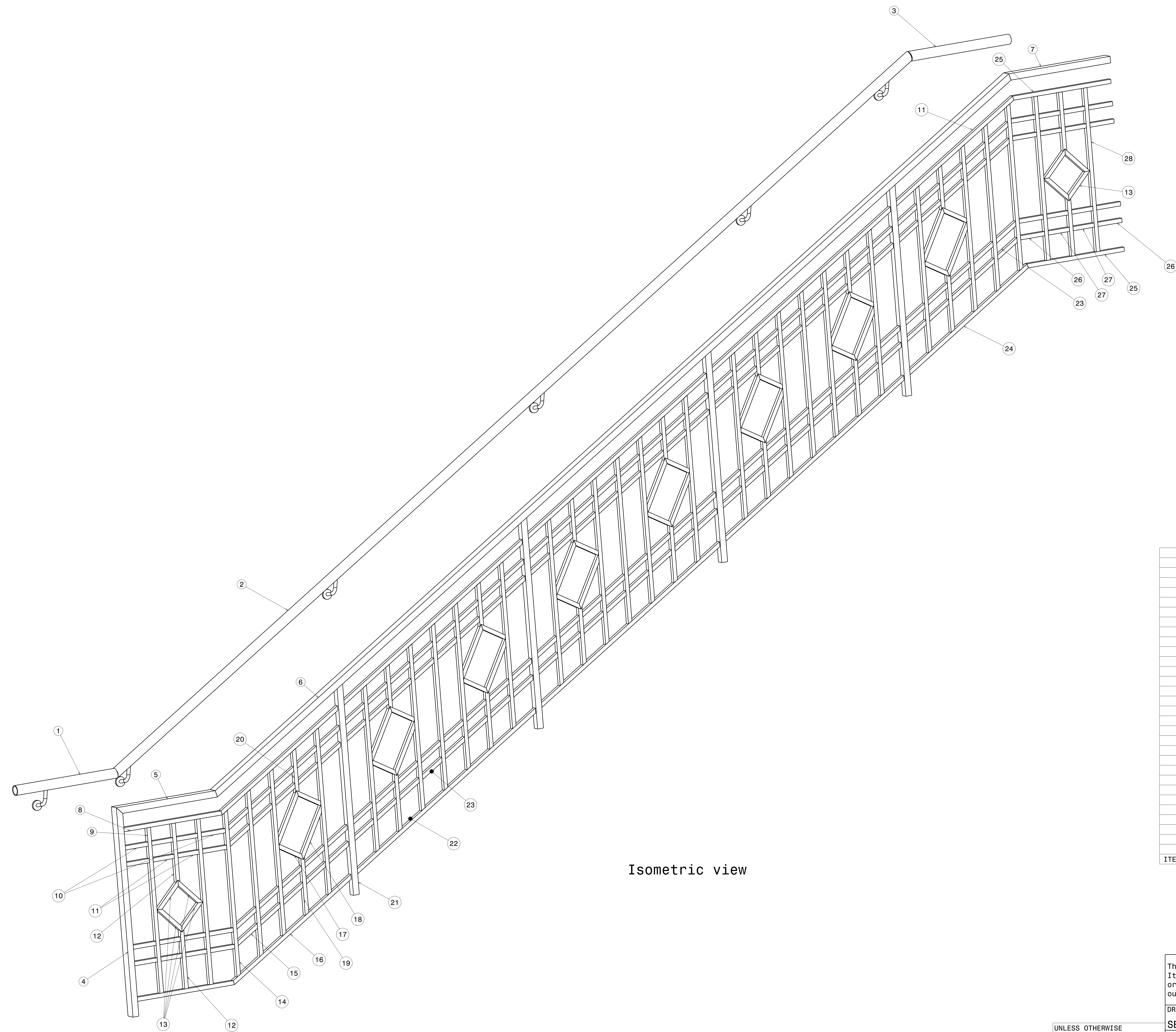


REV/DATE	DESCRIPTION
00 / 02MAY2020	INITIAL REVISION

NOTES:


- (⊥) ALL VERTICAL SUPPORTS ARE PERPENDICULAR.
- FLATNESS OF .5MM IS APPLIED BY DEFAULT.
- △ WELD BEAD OF 2MM RADIUS IS FOLLOWED.
- ▽▽ SURFACE FINISH MEDIUM TO SMOOTH IS USED.
- ALL TUBES ARE AS PER APL APOLLO STANDARD. CHANGES MAY EFFECT THE LOAD CAPACITY.
- ALL HORIZONTAL AND VERTICAL TUBES ARE PERPENDICULAR TO EACH OTHER WITH ±1 DEG.
- FINE WELDING IS REQUIRED AS PER MENTIONED DETAILS AND FINISHING.
- HIGHER CURRENT WELDING MAY AFFECT THE BRITTLENESS OF MATERIAL WHICH LATER MAY RAISE TO WEAKENING OF STRUCTURE.
- FABRICATORS ARE ALLOWED TO USE FITTINGS/FRAMES/SUPPORTS AS NEEDED AND THE SAME MUST BE COMMUNICATED BACK TO ENGINEERING TEAM.
- LENGTH OF ALL LONGITUDINAL FRAMES ARE FOR REFERENCE ONLY AND SUBJECTED TO CHANGE PER REQUIREMENT.



Isometric view

ITEM NO.	PART NUMBER	DESCRIPTION	QTY.	Wt(Kg)/Each
29	BOP 1	AS AVAILABLE IN MARKET	AS NEEDED	-
28	SQ Tube 136 Frame 21	25 X 25 X 1.6 X 145	2	1.2
27	SQ Tube 136 Frame 20	25 X 25 X 1.6 X 145	8	0.2
26	SQ Tube 136 Frame 19	25 X 25 X 1.6 X 165	8	0.2
25	SQ Tube 136 Frame 18	25 X 25 X 1.6 X 673.5	2	0.8
24	SQ Tube 136 Frame 17	25 X 25 X 1.6 X 1002.8	2	1.2
23	SQ Tube 136 Frame 16	25 X 25 X 1.6 X 178.4	116	0.25
22	SQ Tube 136 Frame 15	25 X 25 X 1.6 X 1526	6	1.8
21	SQ Tube 136 Frame 14	40 X 40 X 3.2 X 1275	4	4.7
20	SQ Tube 136 Frame 13	25 X 25 X 1.6 X 266	8	0.4
19	SQ Tube 136 Frame 12	25 X 25 X 1.6 X 349.2	8	0.5
18	SQ Tube 136 Frame 11	25 X 25 X 1.6 X 344.3	16	0.5
17	SQ Tube 136 Frame 10	25 X 25 X 1.6 X 195	16	0.3
16	SQ Tube 136 Frame 9	25 X 25 X 1.6 X 1002.5	2	1.2
15	SQ Tube 136 Frame 8	25 X 25 X 1.6 X 193.5	20	0.3
14	SQ Tube 136 Frame 7	25 X 25 X 1.6 X 1007	23	1.2
13	SQ Tube 136 Frame 6	25 X 25 X 1.6 X 223	8	0.3
12	SQ Tube 136 Frame 5	25 X 25 X 1.6 X 355	2	0.42
11	SQ Tube 136 Frame 4	25 X 25 X 1.6 X 145	8	0.2
10	SQ Tube 136 Frame 3	25 X 25 X 1.6 X 165	8	0.2
9	SQ Tube 136 Frame 2	25 X 25 X 1.6 X 1000	3	1.2
8	SQ Tube 136 Frame 1	25 X 25 X 1.6 X 674	2	0.8
7	Rect Tube 136-4	60 X 40 X 4.5 X 696	1	4.5
6	Rect Tube 136-3	60 X 40 X 4.5 X 6723	1	42.4
5	Rect Tube 136-2	60 X 40 X 4.5 X 690	1	4.3
4	Rect Tube 136-1	60 X 40 X 4.5 X 1266	1	8.1
3	Round Tube 136-3	DIA 60 X 4.5THK X 692	1	4.5
2	Round Tube 136-2	DIA 60 X 4.5THK X 6733	1	41.5
1	Round Tube 136-1	DIA 60 X 4.5THK X 691.5	1	4.5

This drawing is our property. It can't be reproduced or communicated without our written agreement.

APL APOLLO TUBES LTD. 

DRAWING TITLE: **136**

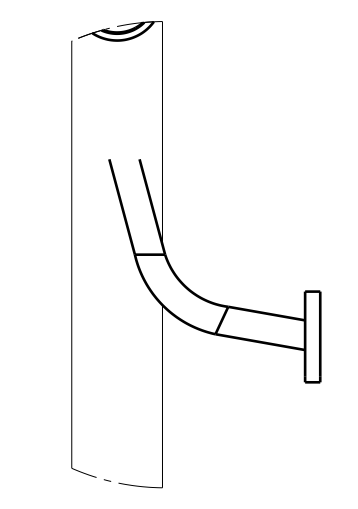
SIZE: **A0** DRAWING NUMBER: **P2P HAND RAIL_136** REV: **00**

SCALE: **As Indicated** WEIGHT(kg): **0kg** SHEET **1** OF **5**

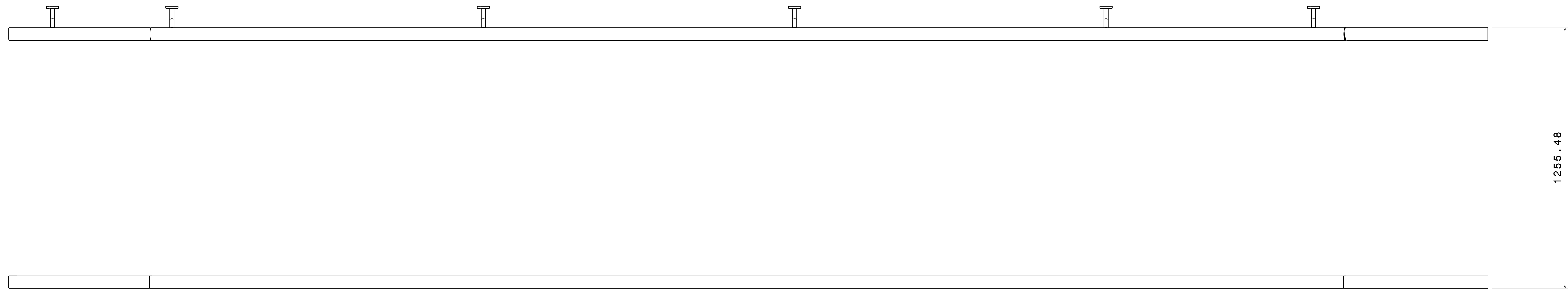
UNLESS OTHERWISE SPECIFIED DIMENSION ARE IN MM VIEWS: THIRD ANGLE PROJECTION

DESIGNED BY: P2P Analysis & Solutions DATE: 02MAY2020
 CHECKED BY: P2P Analysis & Solutions DATE: 02MAY2020
 DRAWN BY: SB DATE: 02MAY2020

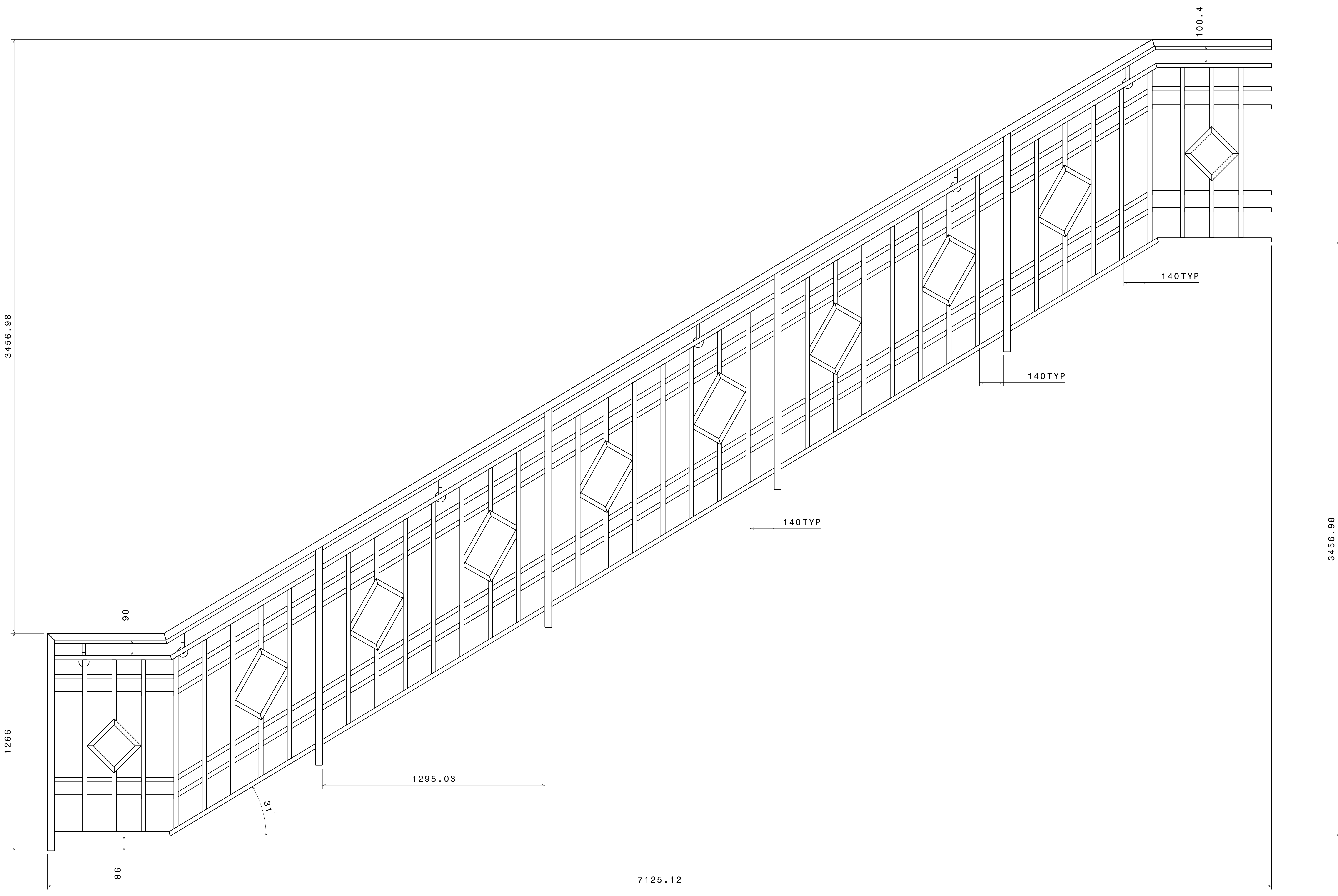
REV	DATE	DESCRIPTION
00	02MAY2020	INITIAL REVISION



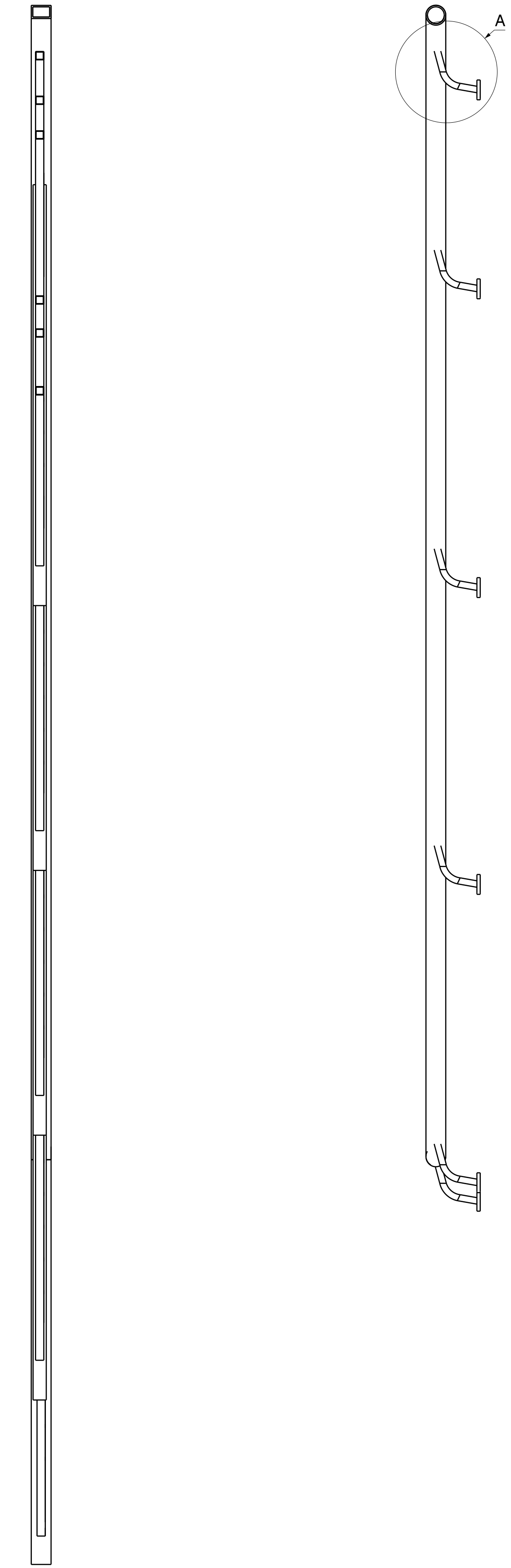
BOP 1
FOR SUPPORT



Top view
Scale: 1:10



Front view
Scale: 1:10



Right view
Scale: 1:10

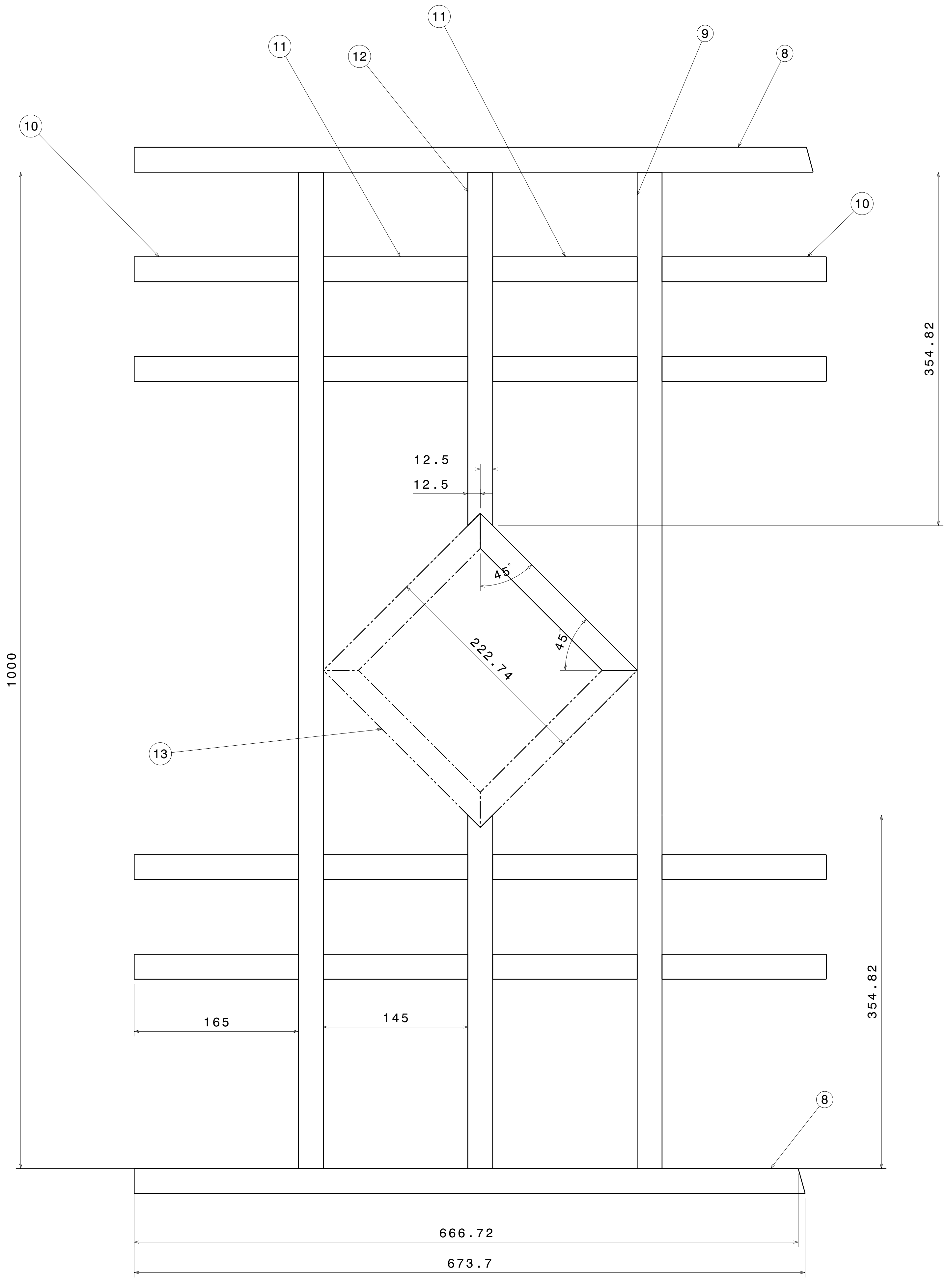
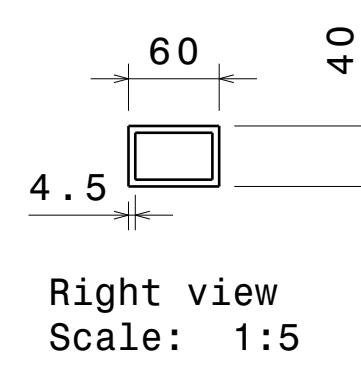
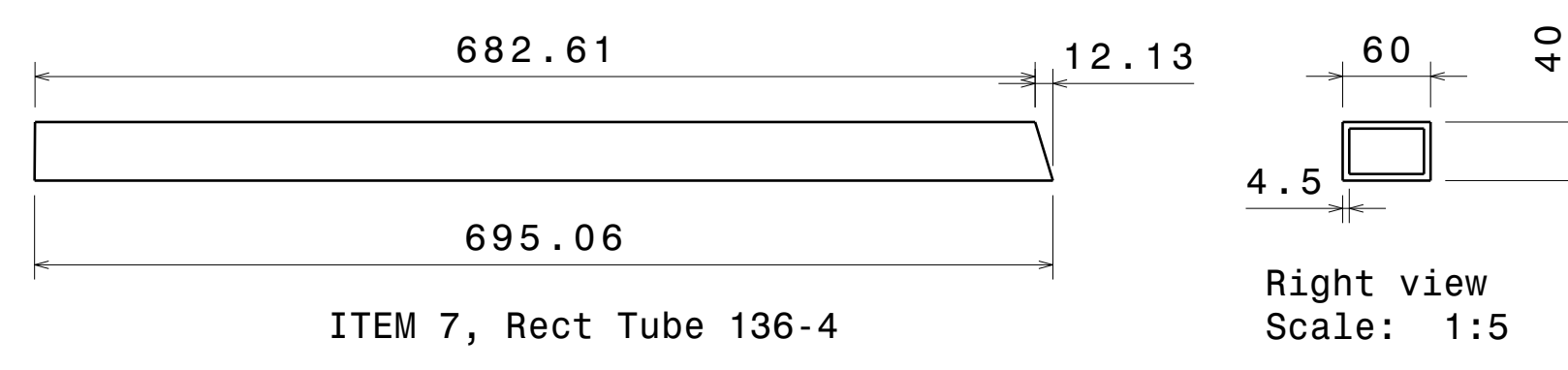
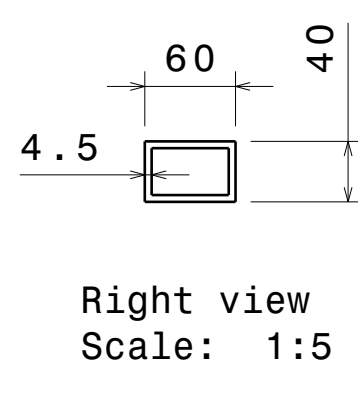
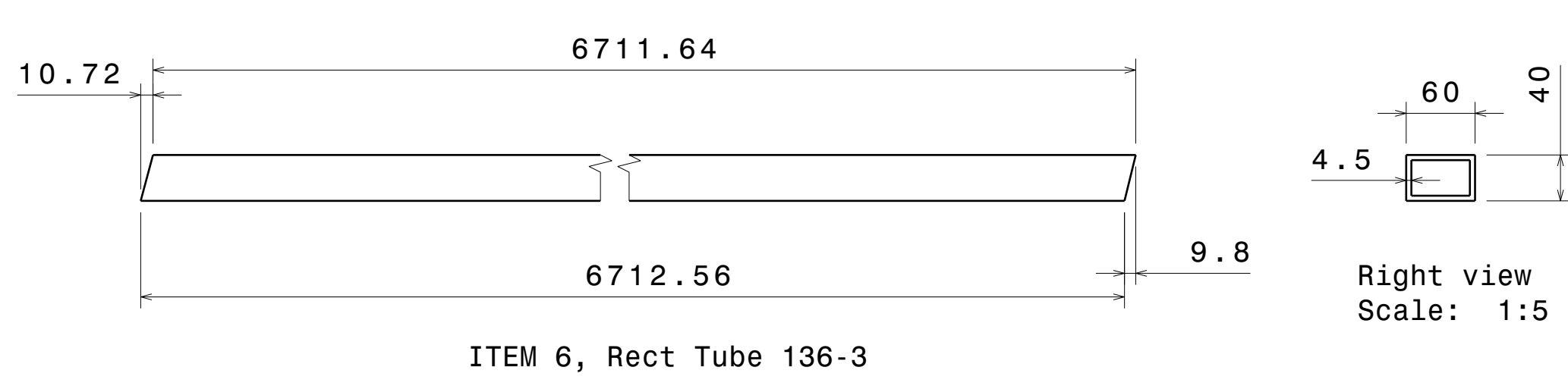
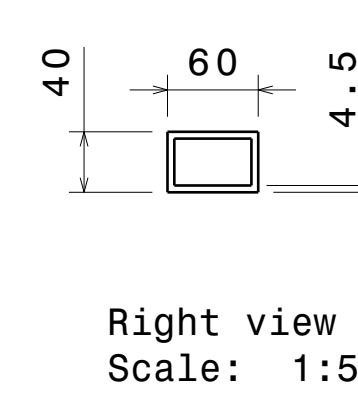
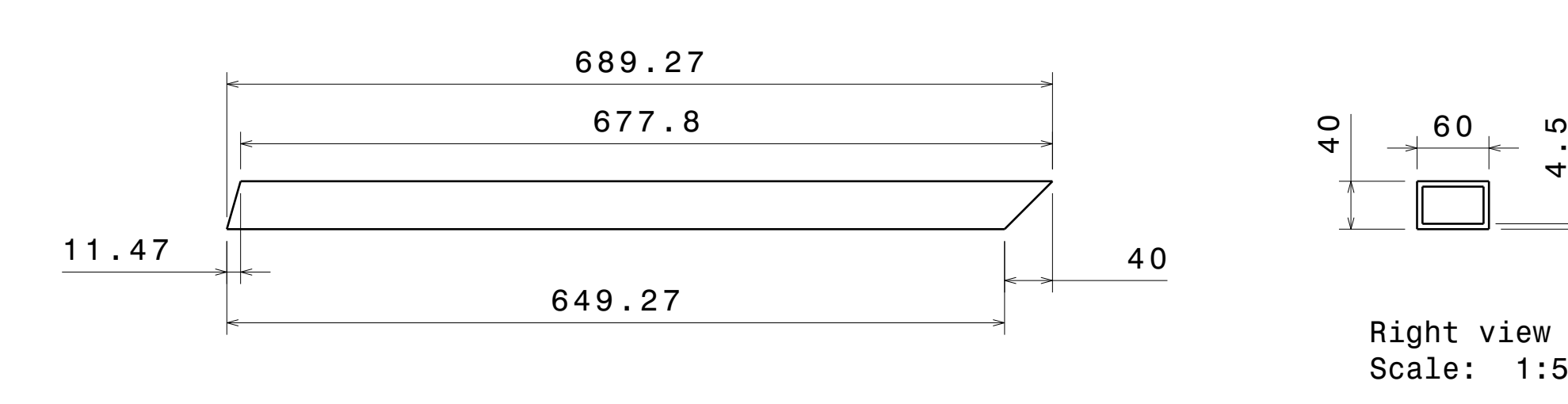
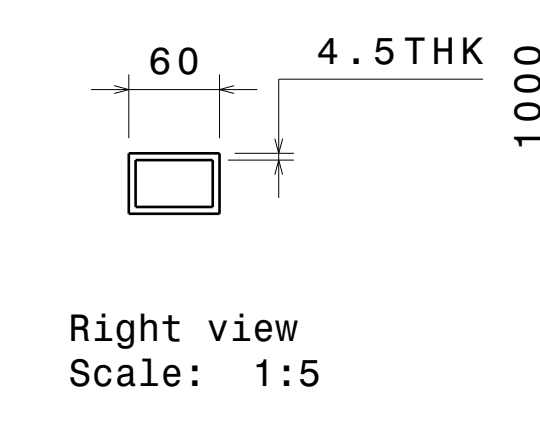
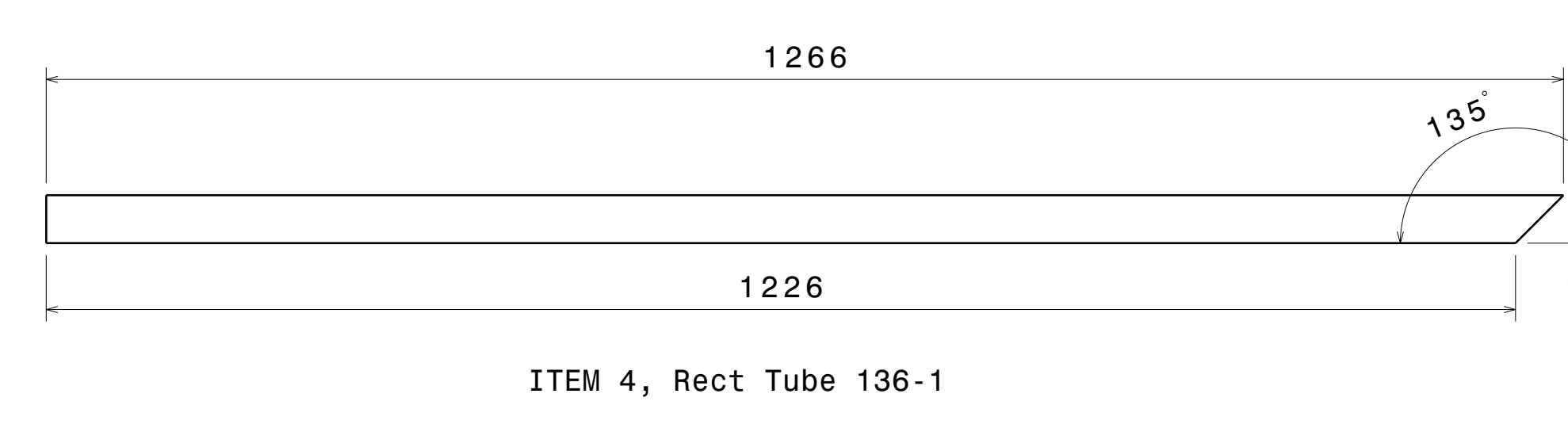
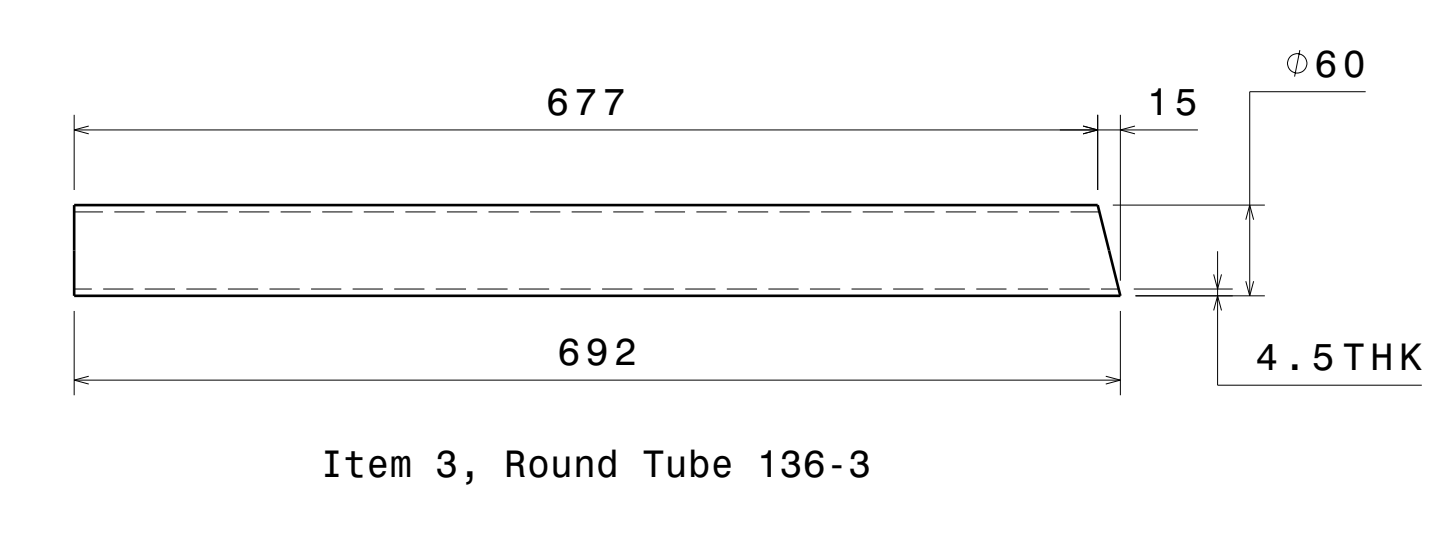
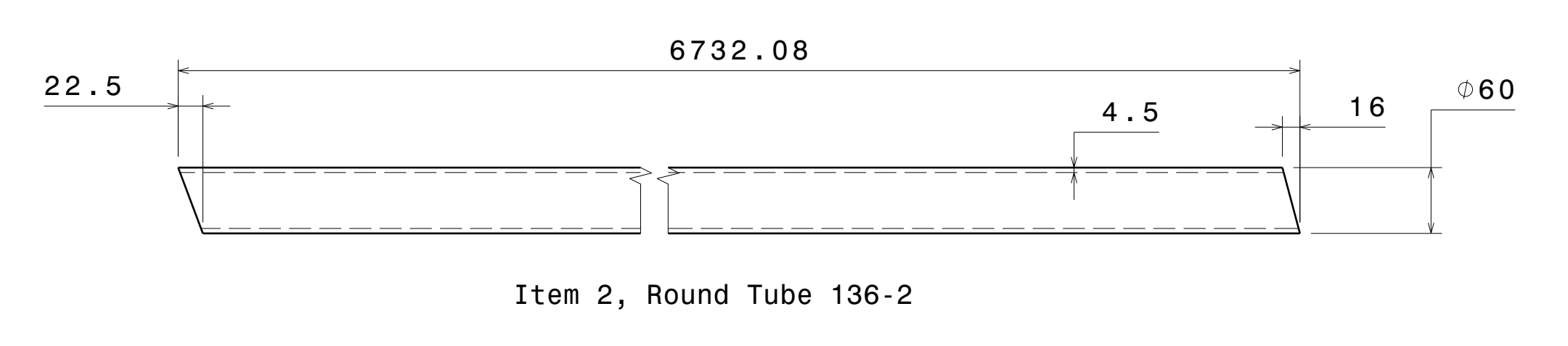
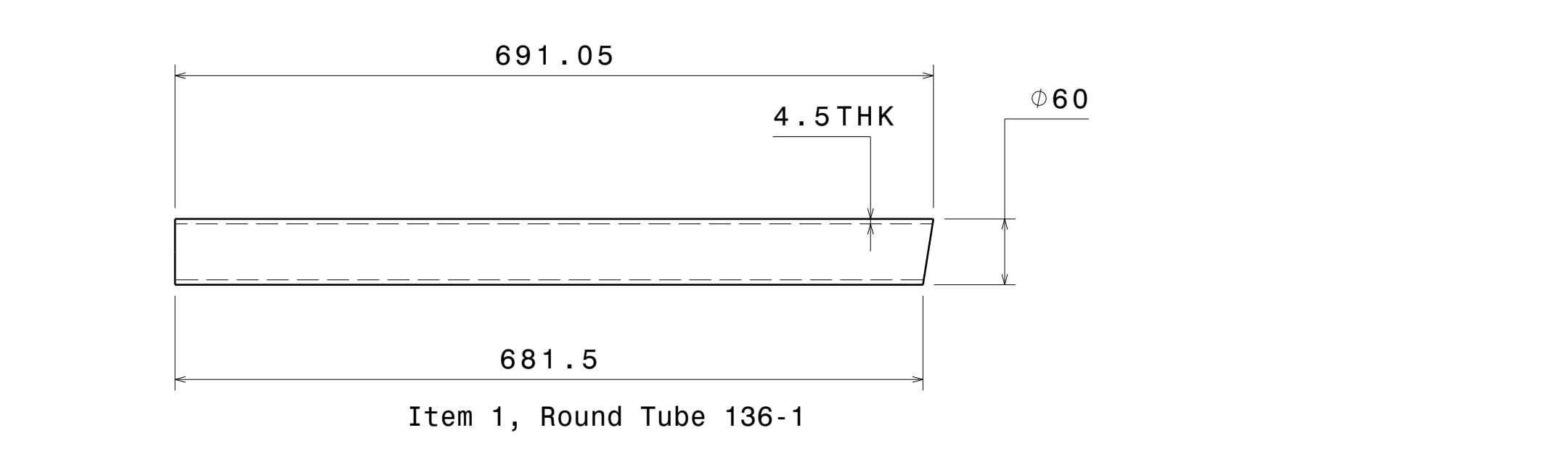
This drawing is our property. It can't be reproduced or communicated without our written agreement.

APL APOLLO TUBES LTD.

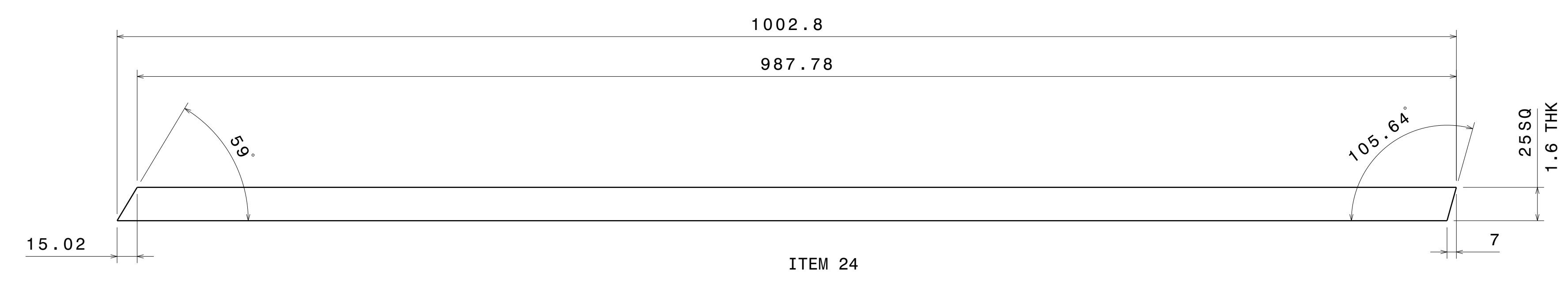
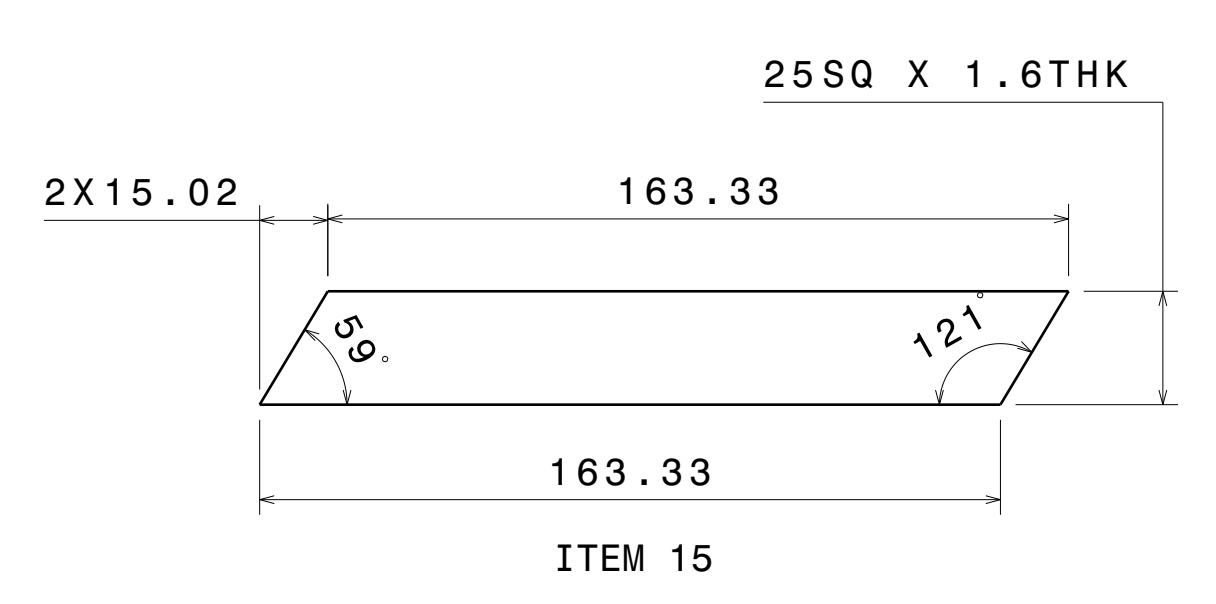
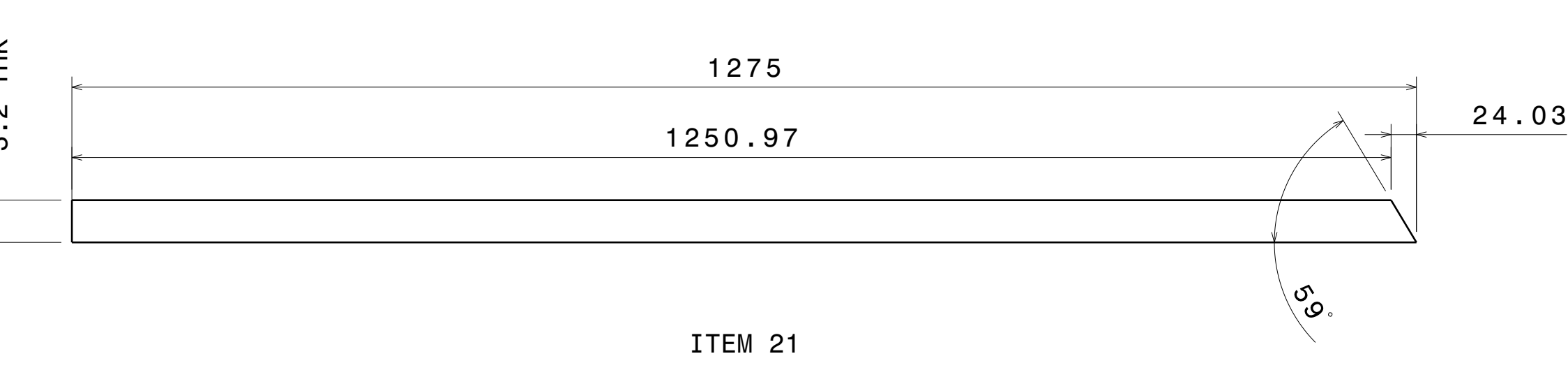
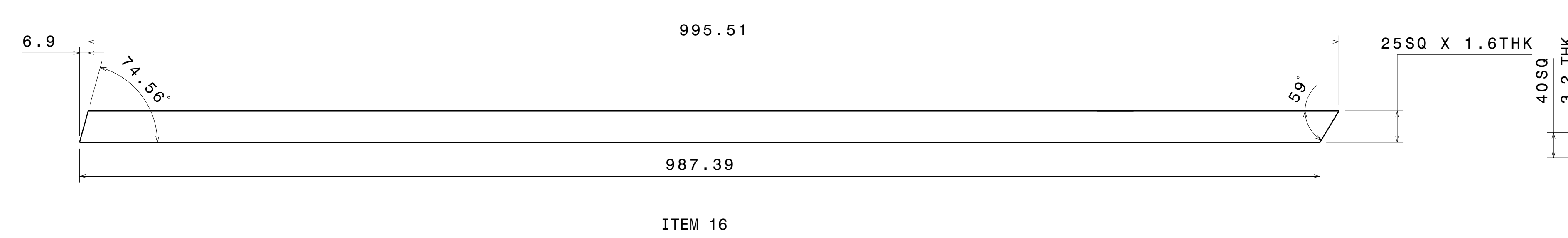
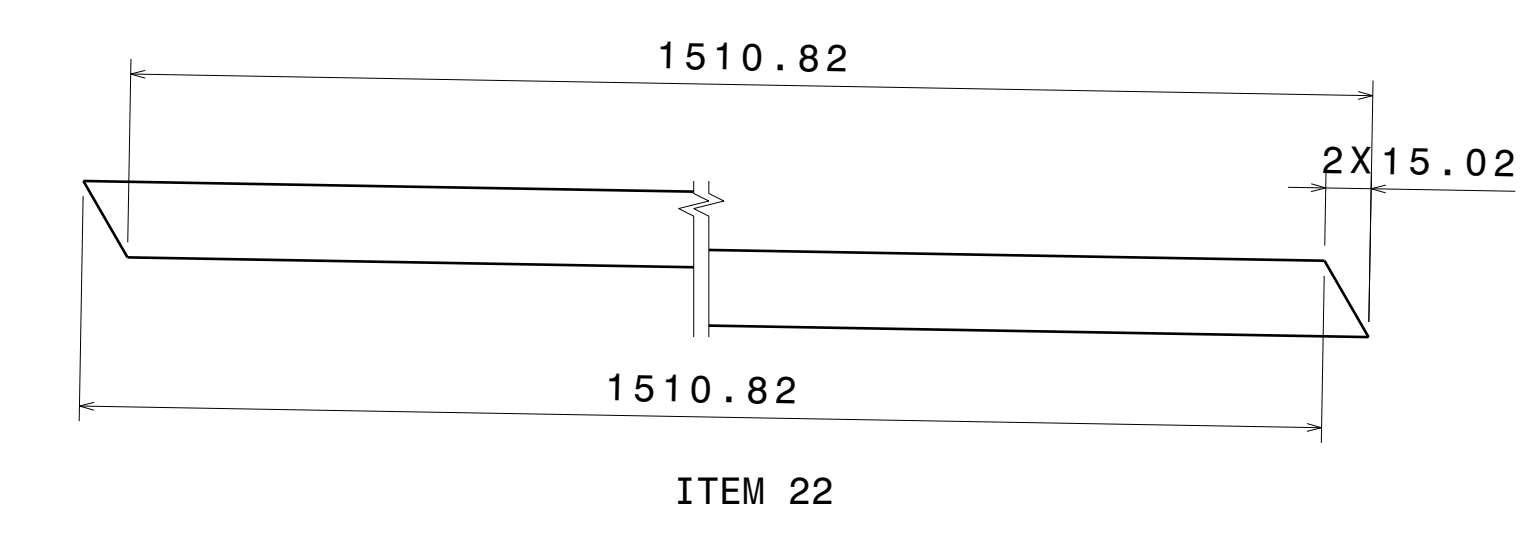
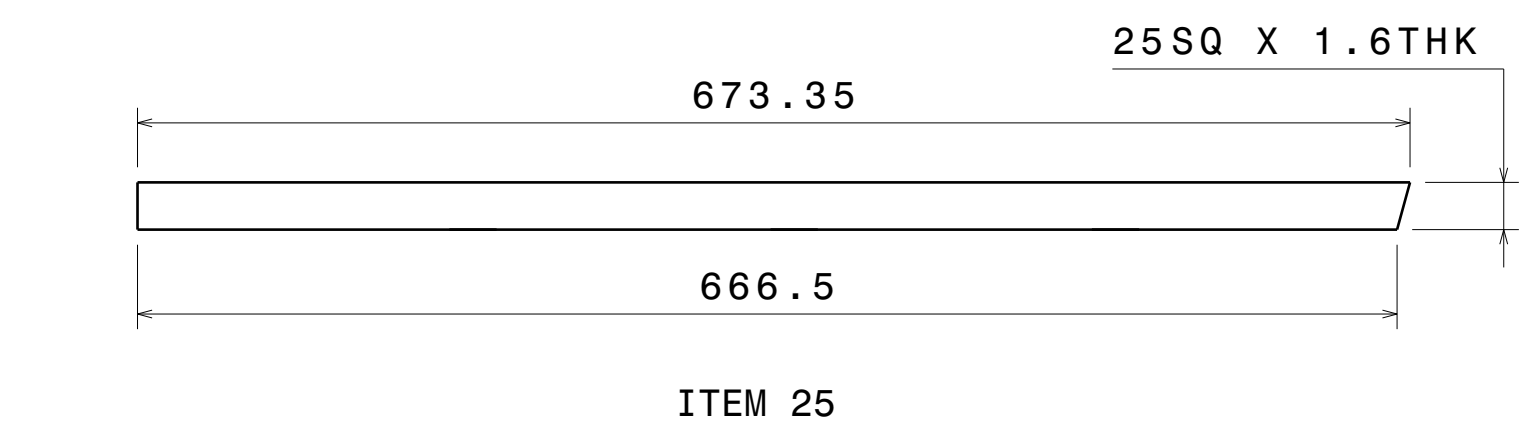
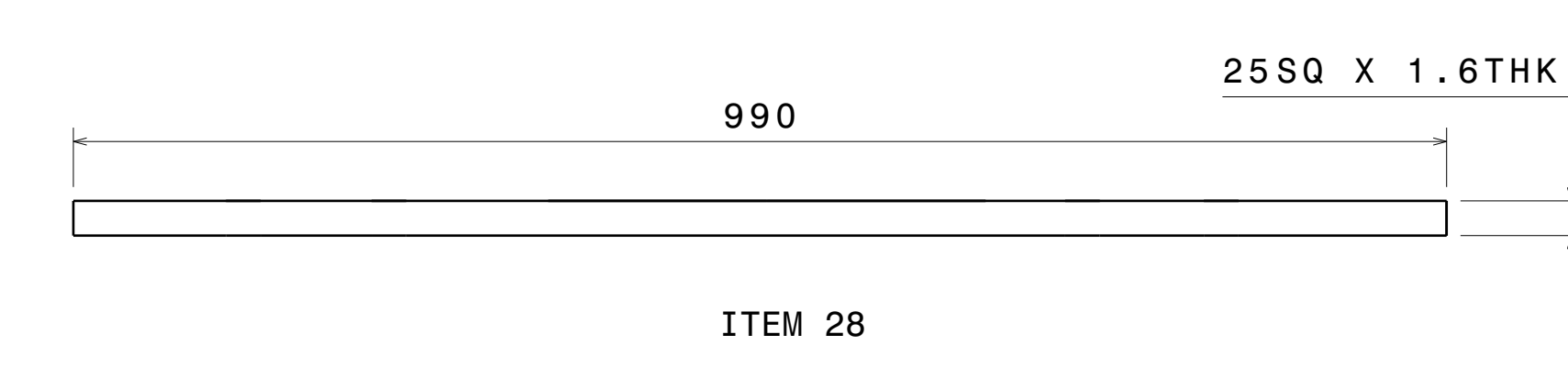
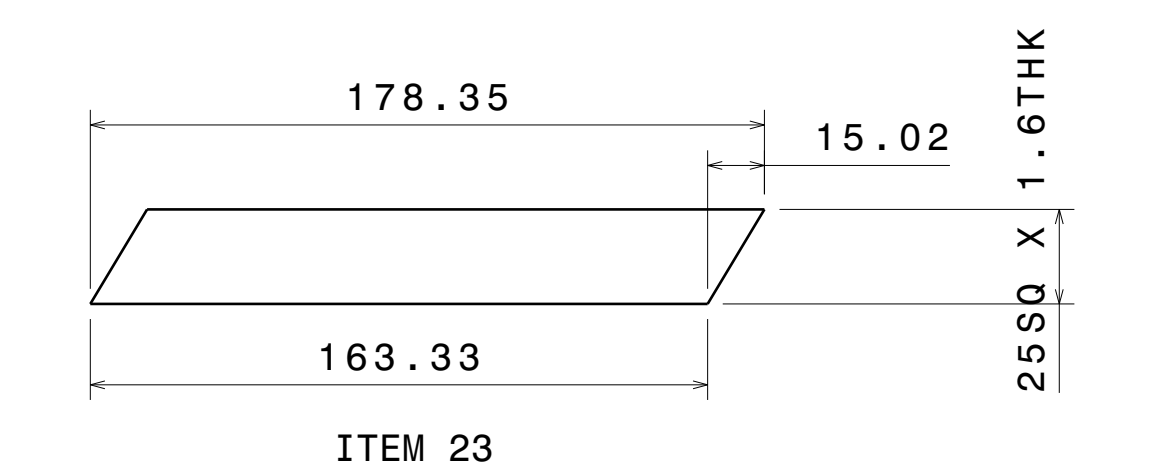
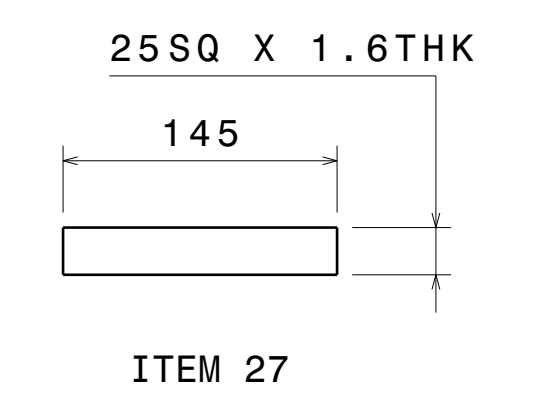
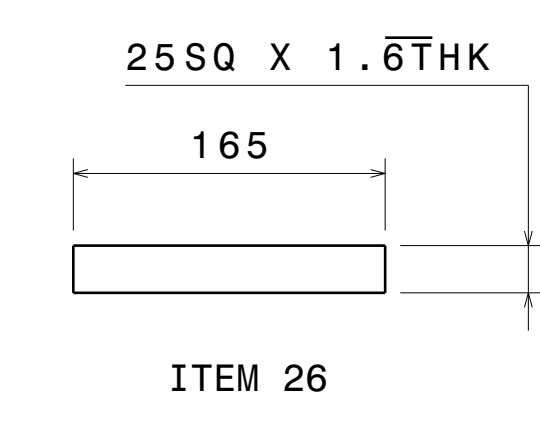
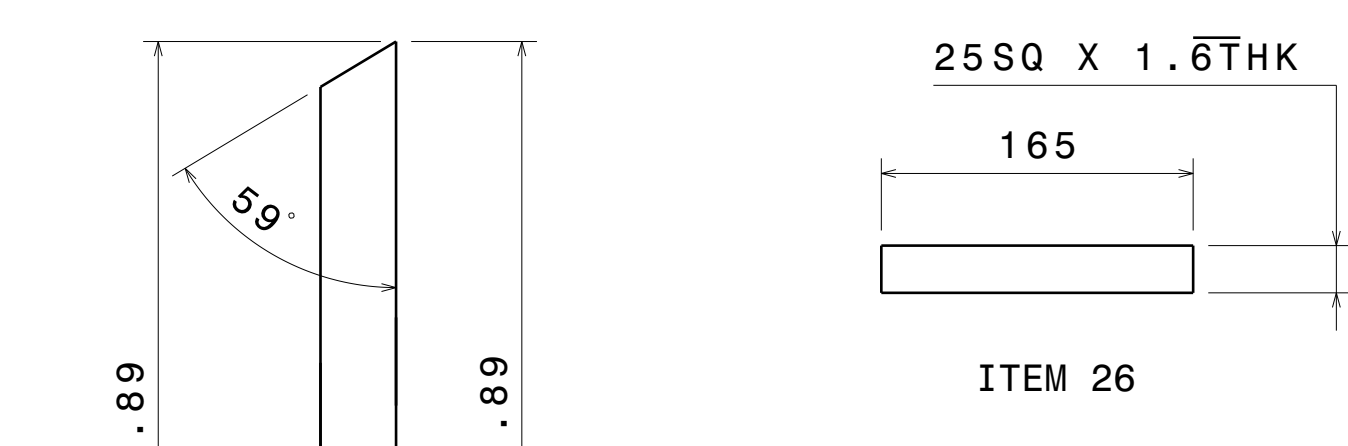
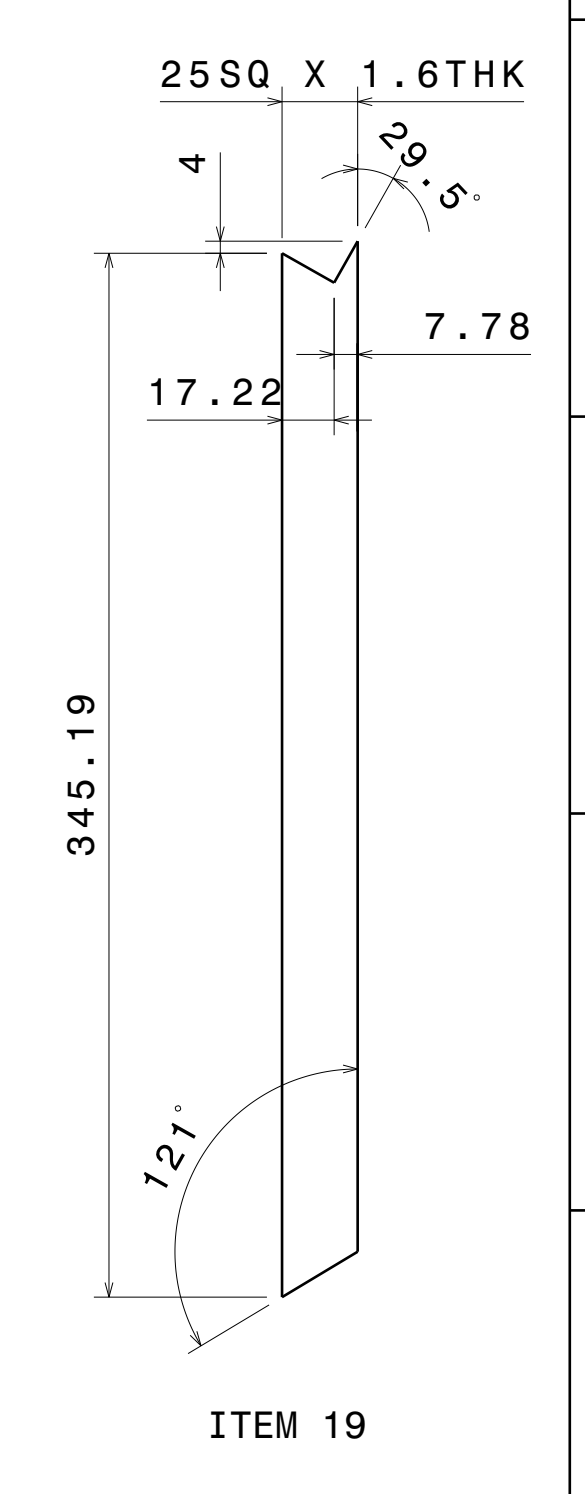
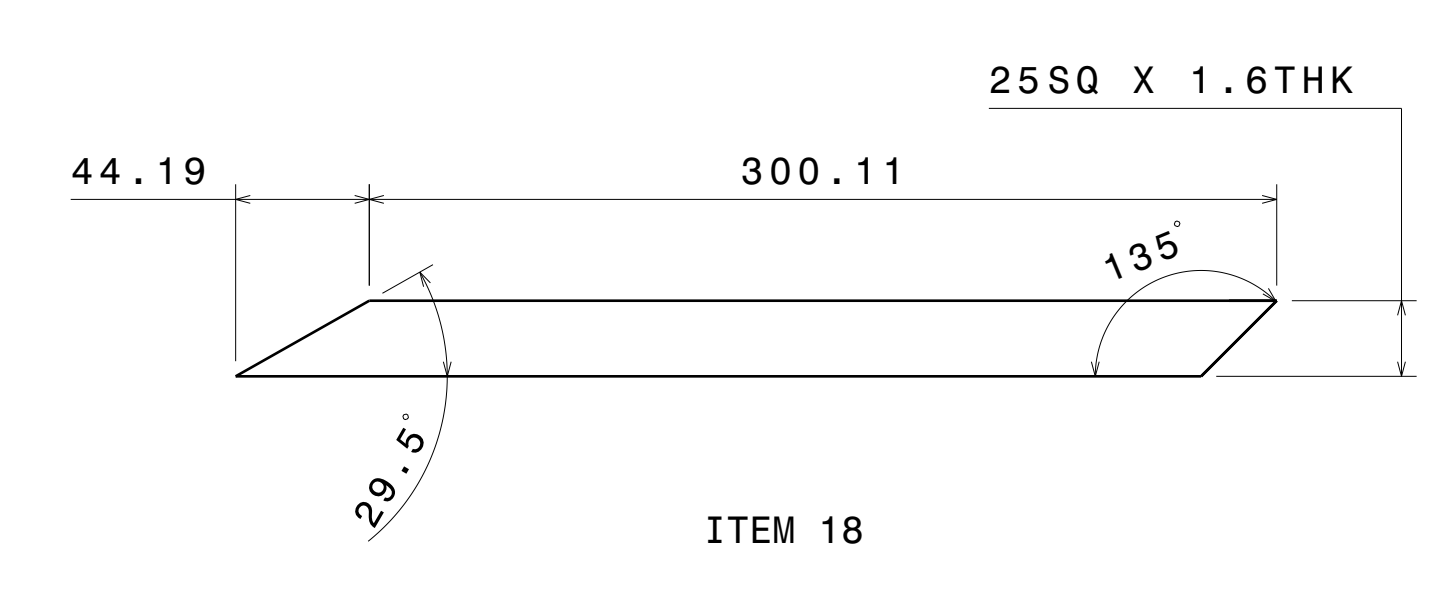
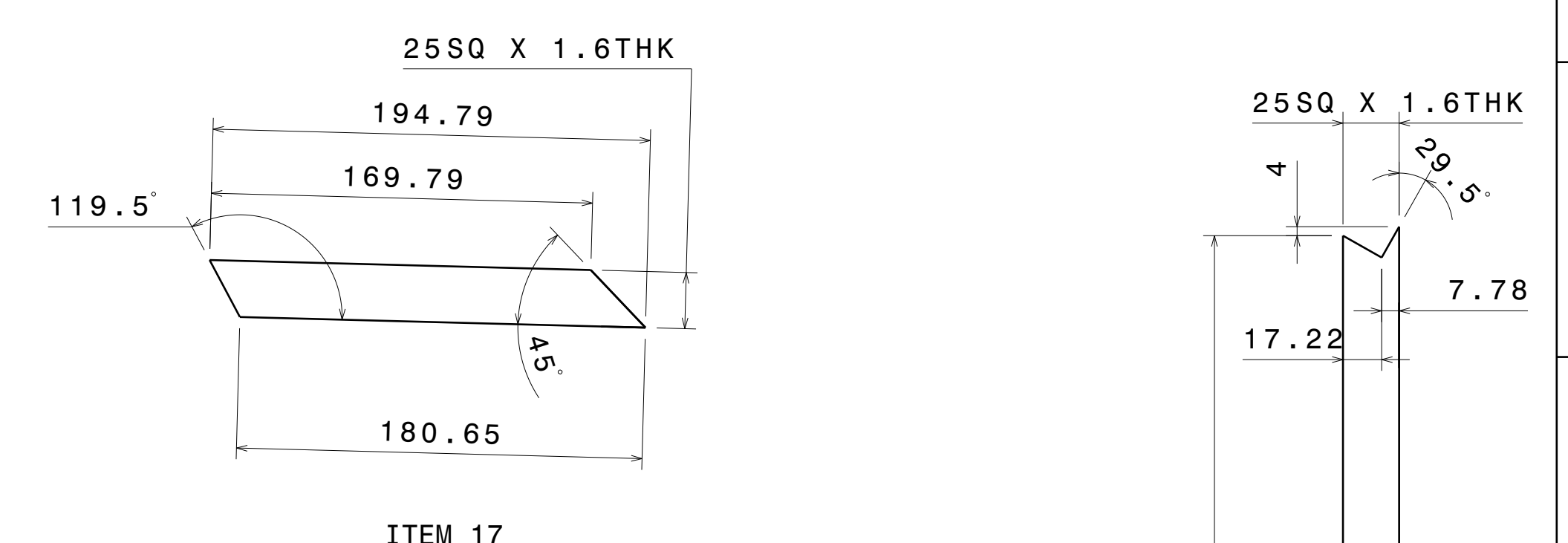
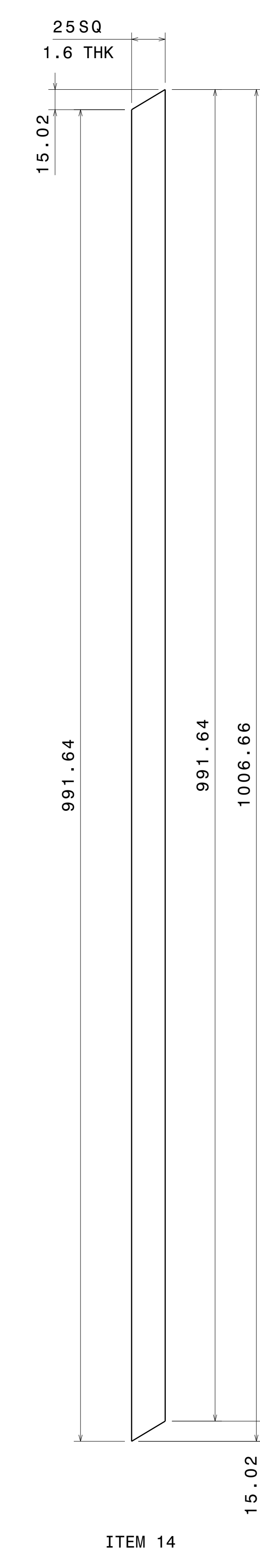
DRAWN BY		DATE		DRAWING TITLE	
SB		02MAY2020		136	
CHECKED BY	P2P Analysis & Solutions	DATE	02MAY2020	SIZE	DRAWING NUMBER
DESIGNED BY	P2P Analysis & Solutions	DATE	02MAY2020	A0	P2P_HAND_RAIL_18
SCALE		NONE	WEIGHT (kg)	XXX	REV
					00
				SHEET 2 OF 5	

UNLESS OTHERWISE SPECIFIED DIMENSION ARE IN MM
VIEWS: THIRD ANGLE PROJECTION

REV/DATE	DESCRIPTION
00/02MAY2020	INITIAL REVISION



ITEM 8-13 ARE OF SAME CROSS SECTION OF 25 X 25 X 1.6



UNLESS OTHERWISE SPECIFIED DIMENSION ARE IN MM		THIRD ANGLE PROJECTION				This drawing is our property. It can't be reproduced or communicated without our written agreement.		APL APOLLO TUBES LTD.	
DRAWN BY		DATE		DRAWING TITLE		136		REV	
SB		02MAY2020		P2P HAND RAIL_18		00		SHEET 3 OF 5	
CHECKED BY		DATE		SCALE		WEIGHT (kg)		Okkg	
P2P Analysis & Solutions		02MAY2020		As Indicated					
DESIGNED BY		DATE							
P2P Analysis & Solutions		02MAY2020							