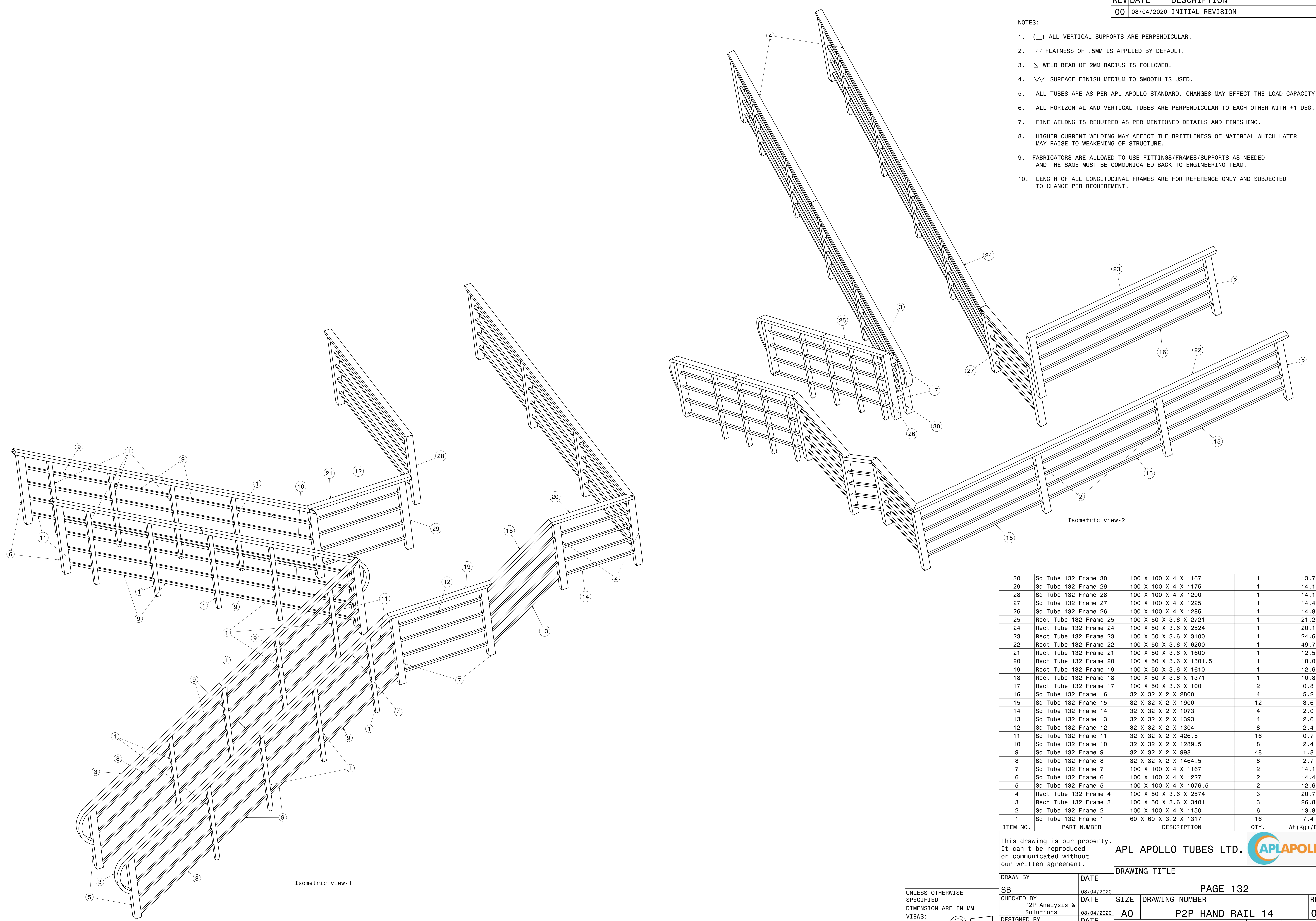


REV	DATE	DESCRIPTION
00	08/04/2020	INITIAL REVISION

NOTES:

- (⊥) ALL VERTICAL SUPPORTS ARE PERPENDICULAR.
- FLATNESS OF .5MM IS APPLIED BY DEFAULT.
- ∇ WELD BEAD OF 2MM RADIUS IS FOLLOWED.
- ▽▽ SURFACE FINISH MEDIUM TO SMOOTH IS USED.
- ALL TUBES ARE AS PER APL APOLLO STANDARD. CHANGES MAY EFFECT THE LOAD CAPACITY.
- ALL HORIZONTAL AND VERTICAL TUBES ARE PERPENDICULAR TO EACH OTHER WITH ±1 DEG.
- FINE WELDING IS REQUIRED AS PER MENTIONED DETAILS AND FINISHING.
- HIGHER CURRENT WELDING MAY AFFECT THE BRITTLENESS OF MATERIAL WHICH LATER MAY RAISE TO WEAKENING OF STRUCTURE.
- FABRICATORS ARE ALLOWED TO USE FITTINGS/FRAMES/SUPPORTS AS NEEDED AND THE SAME MUST BE COMMUNICATED BACK TO ENGINEERING TEAM.
- LENGTH OF ALL LONGITUDINAL FRAMES ARE FOR REFERENCE ONLY AND SUBJECTED TO CHANGE PER REQUIREMENT.




Isometric view-2

Isometric view-1

ITEM NO.	PART NUMBER	DESCRIPTION	QTY.	Wt (kg)/Each
30	Sq Tube 132 Frame 30	100 X 100 X 4 X 1167	1	13.7
29	Sq Tube 132 Frame 29	100 X 100 X 4 X 1175	1	14.1
28	Sq Tube 132 Frame 28	100 X 100 X 4 X 1200	1	14.1
27	Sq Tube 132 Frame 27	100 X 100 X 4 X 1225	1	14.4
26	Sq Tube 132 Frame 26	100 X 100 X 4 X 1285	1	14.8
25	Rect Tube 132 Frame 25	100 X 50 X 3.6 X 2721	1	21.2
24	Rect Tube 132 Frame 24	100 X 50 X 3.6 X 2524	1	20.1
23	Rect Tube 132 Frame 23	100 X 50 X 3.6 X 3100	1	24.6
22	Rect Tube 132 Frame 22	100 X 50 X 3.6 X 6200	1	49.7
21	Rect Tube 132 Frame 21	100 X 50 X 3.6 X 1600	1	12.5
20	Rect Tube 132 Frame 20	100 X 50 X 3.6 X 1301.5	1	10.0
19	Rect Tube 132 Frame 19	100 X 50 X 3.6 X 1610	1	12.6
18	Rect Tube 132 Frame 18	100 X 50 X 3.6 X 1371	1	10.8
17	Rect Tube 132 Frame 17	100 X 50 X 3.6 X 100	2	0.8
16	Sq Tube 132 Frame 16	32 X 32 X 2 X 2800	4	5.2
15	Sq Tube 132 Frame 15	32 X 32 X 2 X 1900	12	3.6
14	Sq Tube 132 Frame 14	32 X 32 X 2 X 1073	4	2.0
13	Sq Tube 132 Frame 13	32 X 32 X 2 X 1393	4	2.6
12	Sq Tube 132 Frame 12	32 X 32 X 2 X 1304	8	2.4
11	Sq Tube 132 Frame 11	32 X 32 X 2 X 426.5	16	0.7
10	Sq Tube 132 Frame 10	32 X 32 X 2 X 1289.5	8	2.4
9	Sq Tube 132 Frame 9	32 X 32 X 2 X 998	48	1.8
8	Sq Tube 132 Frame 8	32 X 32 X 2 X 1464.5	8	2.7
7	Sq Tube 132 Frame 7	100 X 100 X 4 X 1167	2	14.1
6	Sq Tube 132 Frame 6	100 X 100 X 4 X 1227	2	14.4
5	Sq Tube 132 Frame 5	100 X 100 X 4 X 1076.5	2	12.6
4	Rect Tube 132 Frame 4	100 X 50 X 3.6 X 2574	3	20.7
3	Rect Tube 132 Frame 3	100 X 50 X 3.6 X 3401	3	26.8
2	Sq Tube 132 Frame 2	100 X 100 X 4 X 1150	6	13.8
1	Sq Tube 132 Frame 1	60 X 60 X 3.2 X 1317	16	7.4

This drawing is our property. It can't be reproduced or communicated without our written agreement.

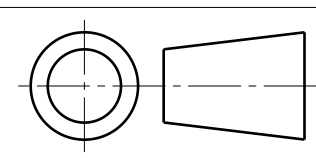
APL APOLLO TUBES LTD. 

DRAWING TITLE: **PAGE 132**

DRAWN BY: **SB** DATE: **08/04/2020**

CHECKED BY: **P2P Analysis & Solutions** DATE: **08/04/2020**

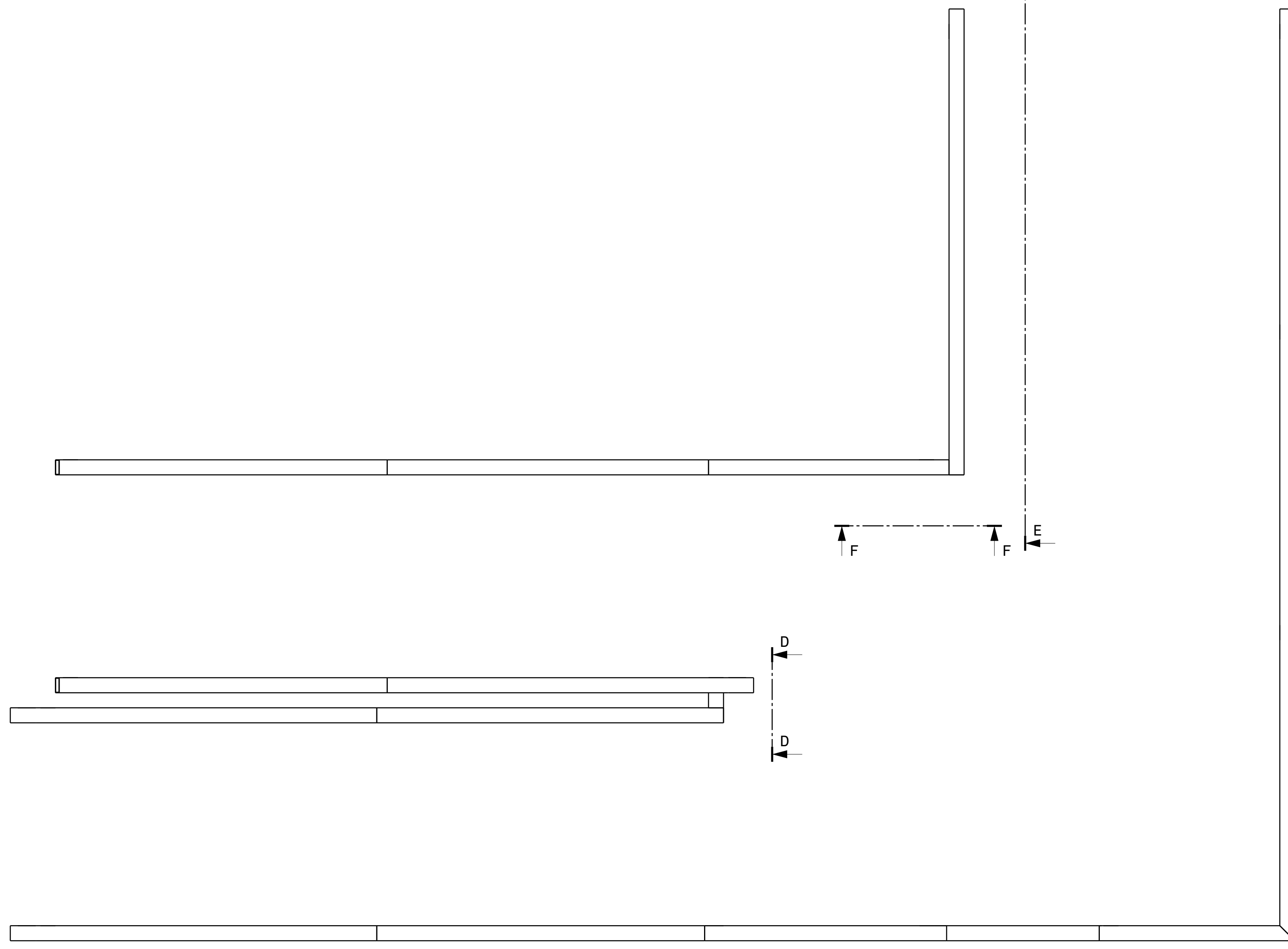
DESIGNED BY: **P2P Analysis & Solutions** DATE: **08/04/2020**

UNLESS OTHERWISE SPECIFIED DIMENSION ARE IN MM VIEWS: THIRD ANGLE PROJECTION 

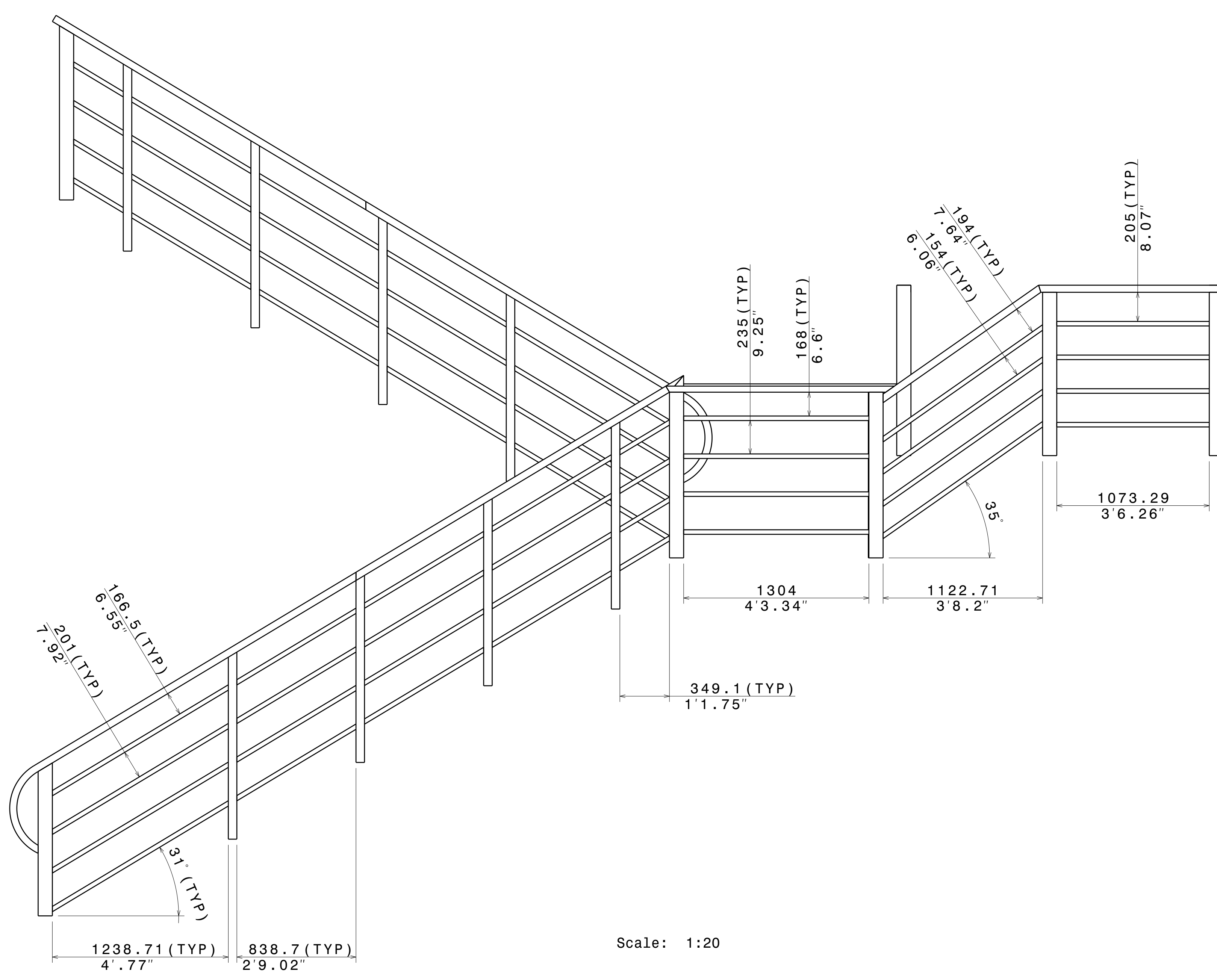
SIZE: **A0** DRAWING NUMBER: **P2P HAND RAIL_14** REV: **00**

SCALE: **As Indicated** WEIGHT (kg): **0kg** SHEET **1** OF **5**

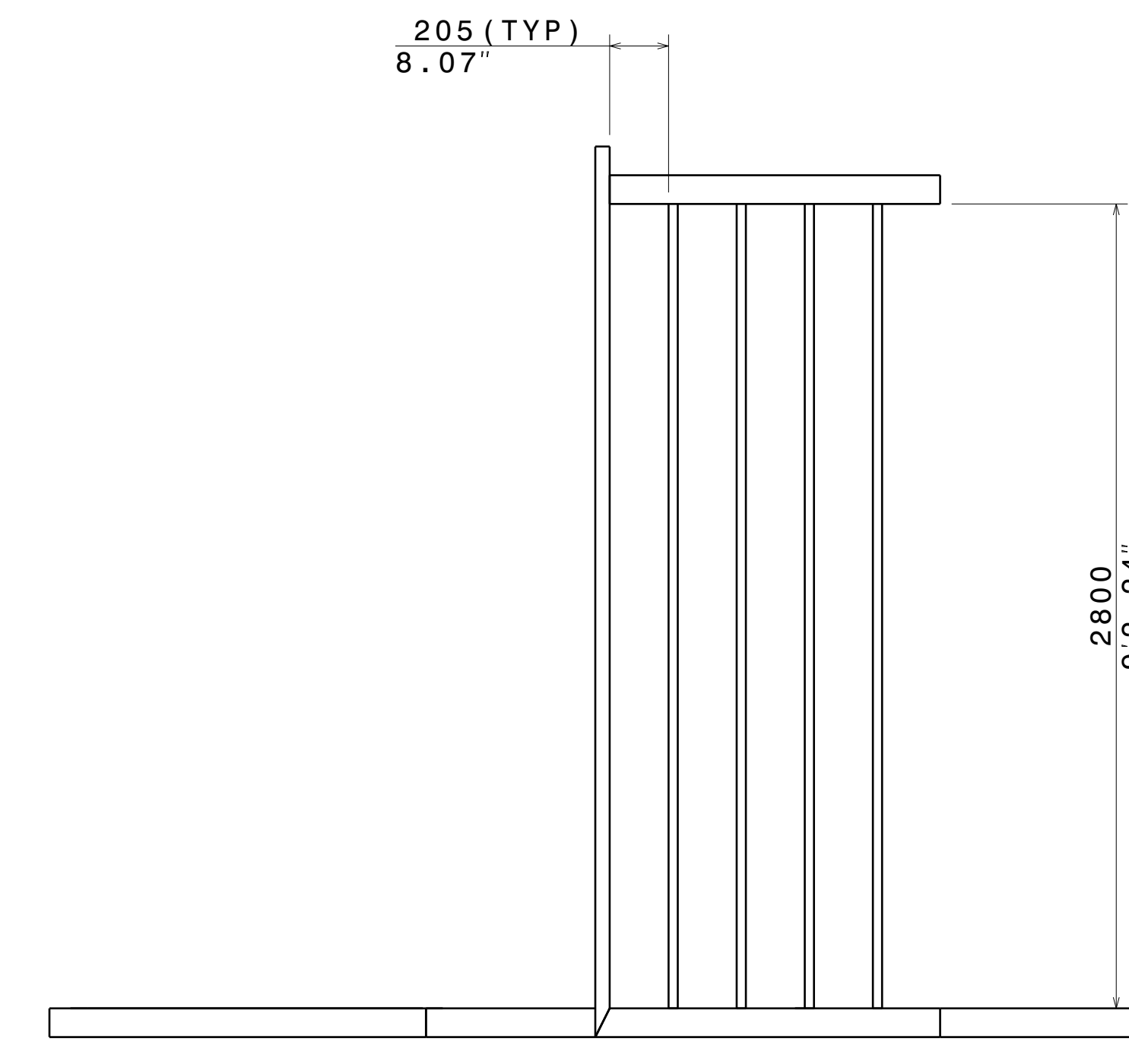
REV	DATE	DESCRIPTION
00	08/04/2020	INITIAL REVISION



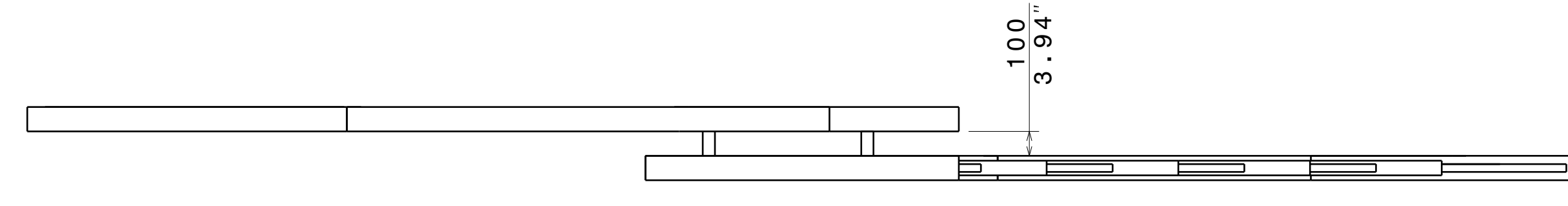
Scale: 1:20



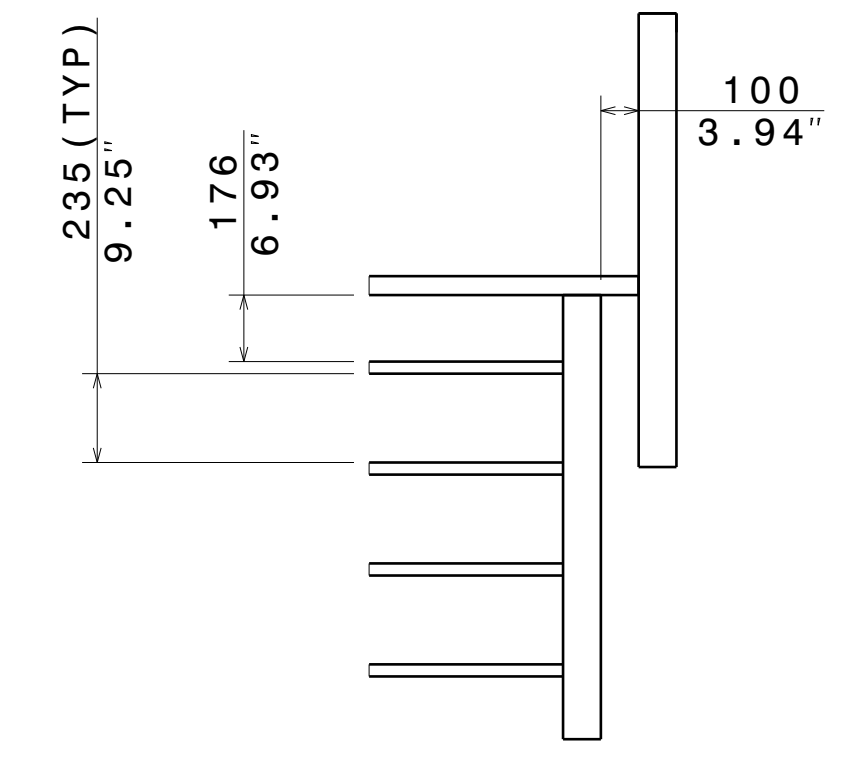
Scale: 1:20



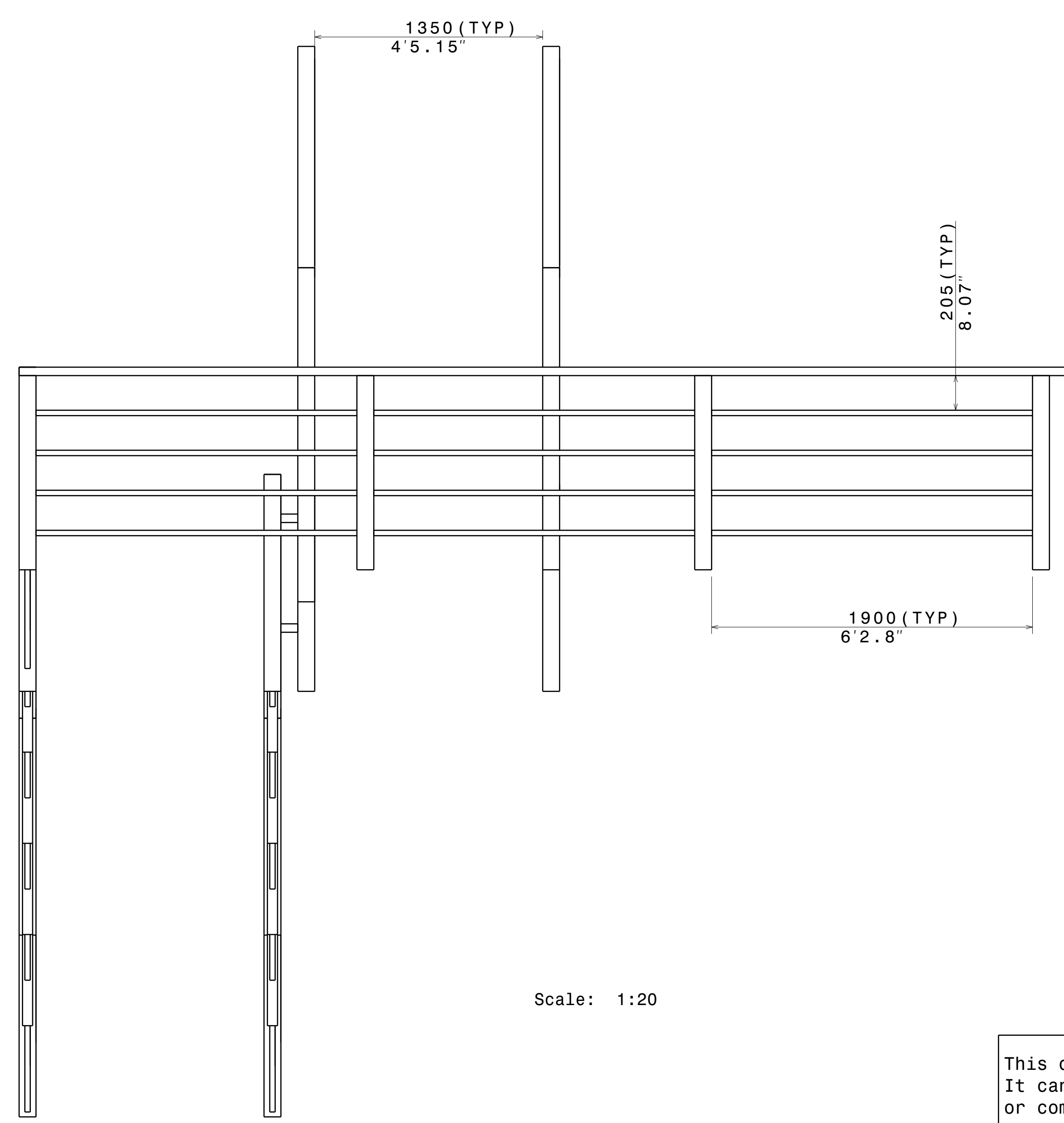
Section view E-E
Scale: 1:20



Section view D-D
Scale: 1:20



Section view F-F
Scale: 1:20



Scale: 1:20

This drawing is our property. It can't be reproduced or communicated without our written agreement.

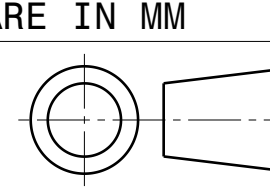
APL APOLLO TUBES LTD. 

DRAWING TITLE
PAGE 132

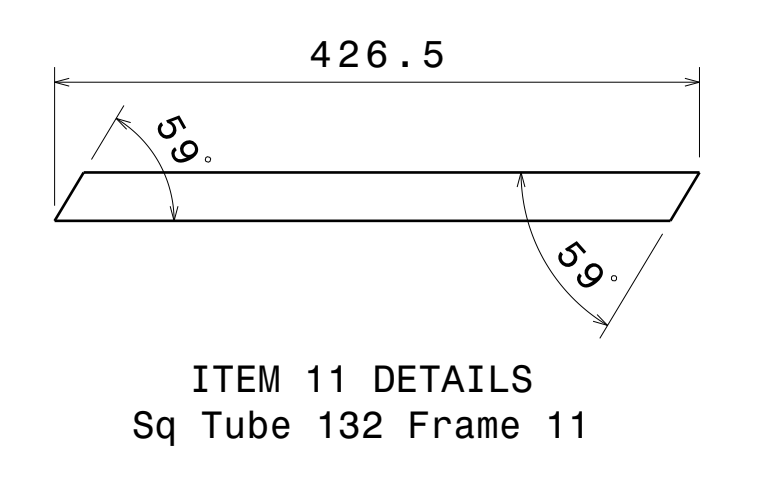
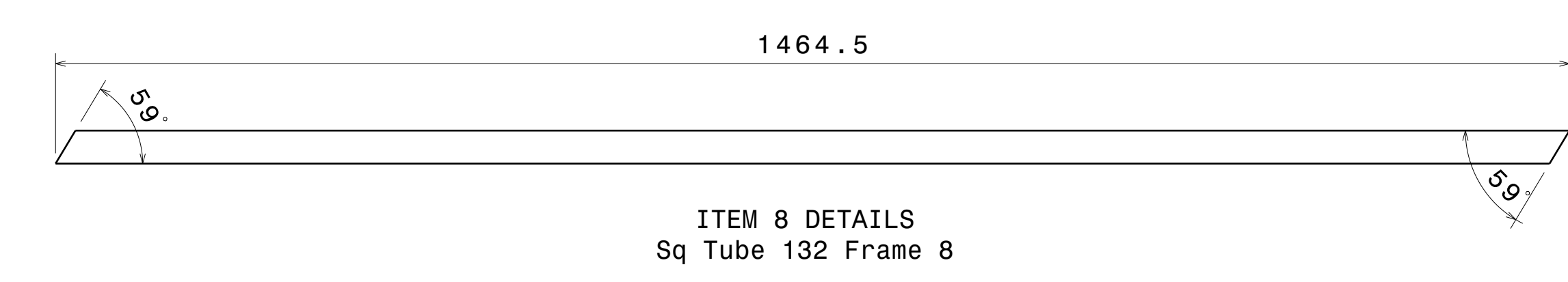
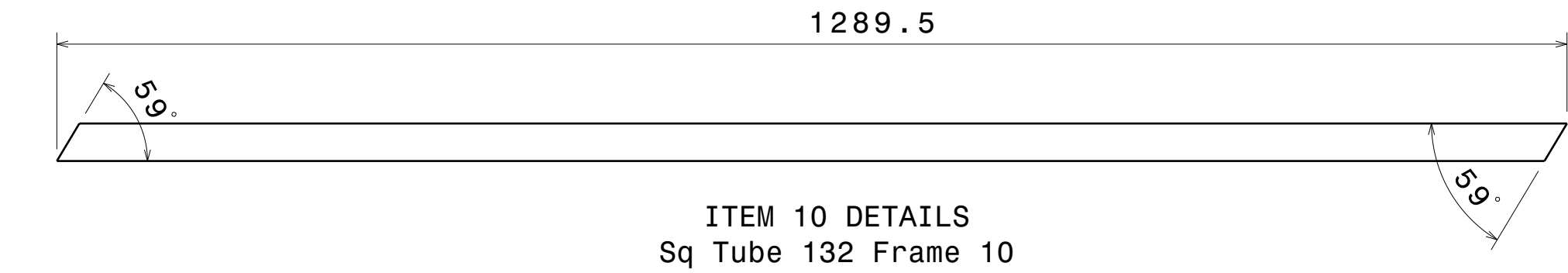
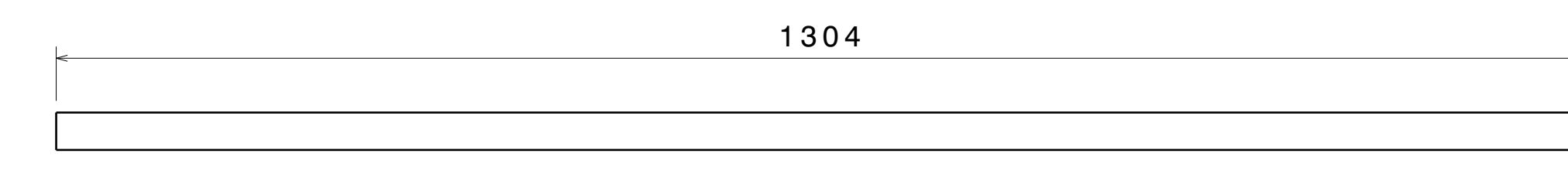
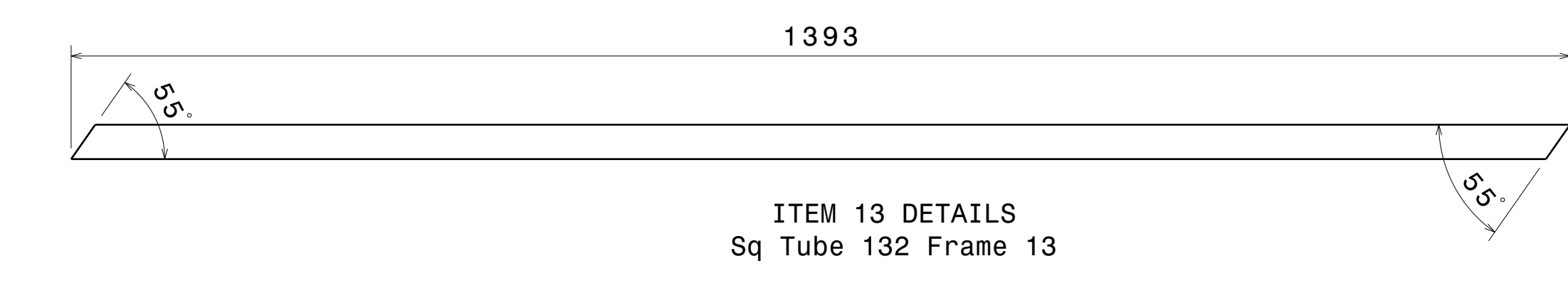
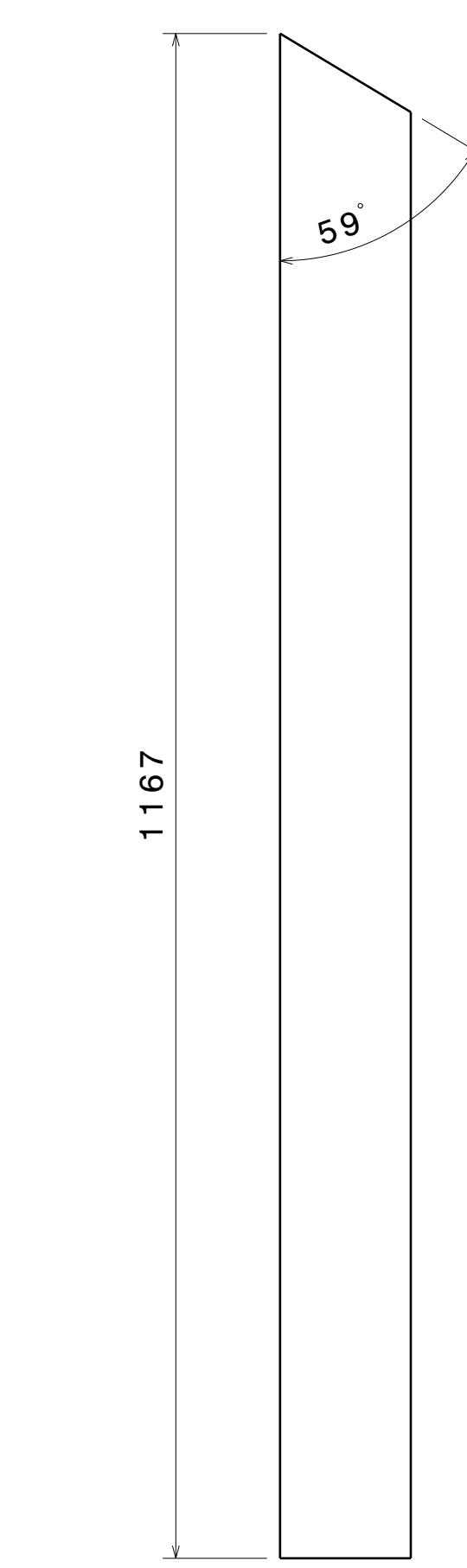
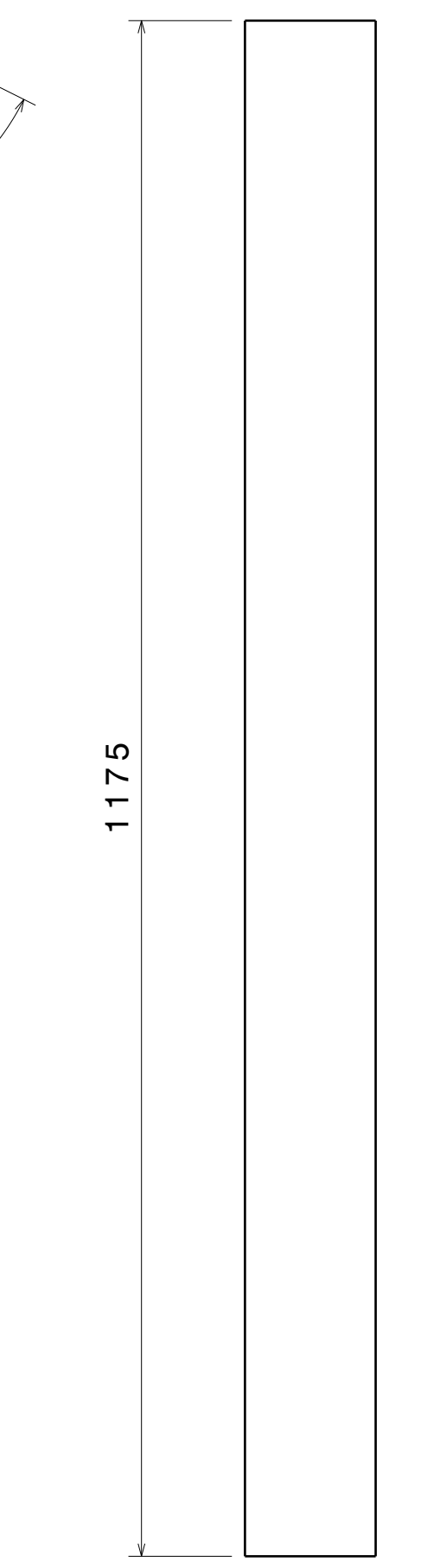
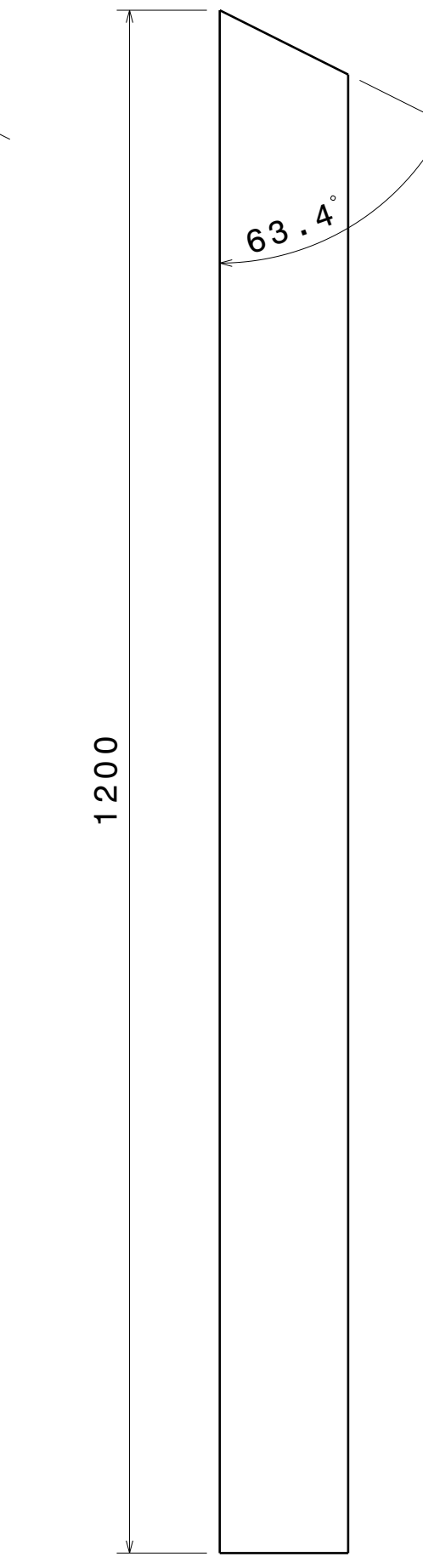
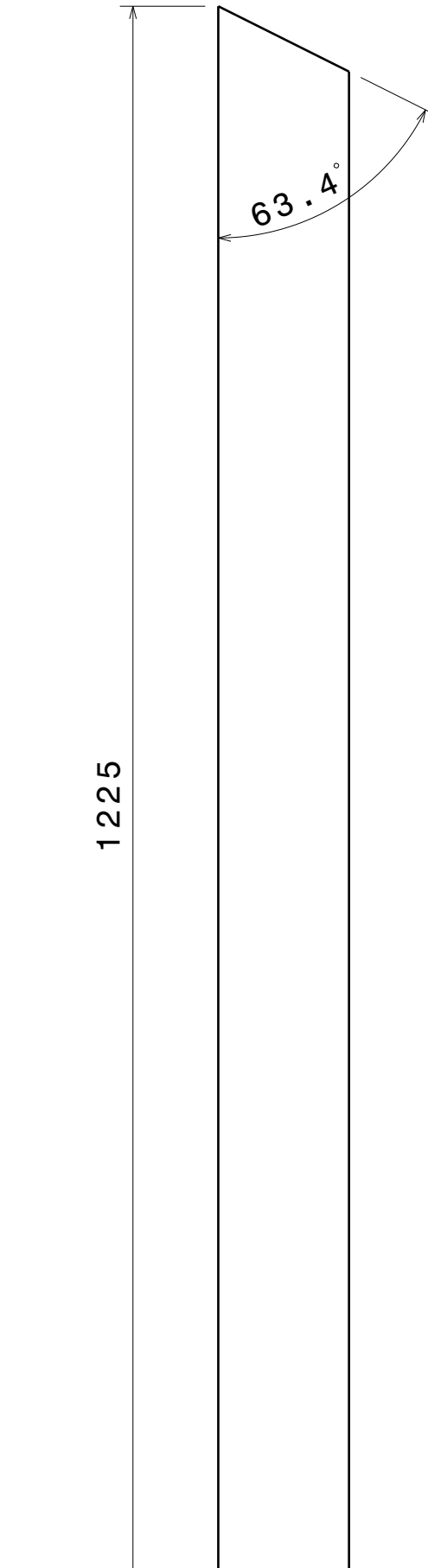
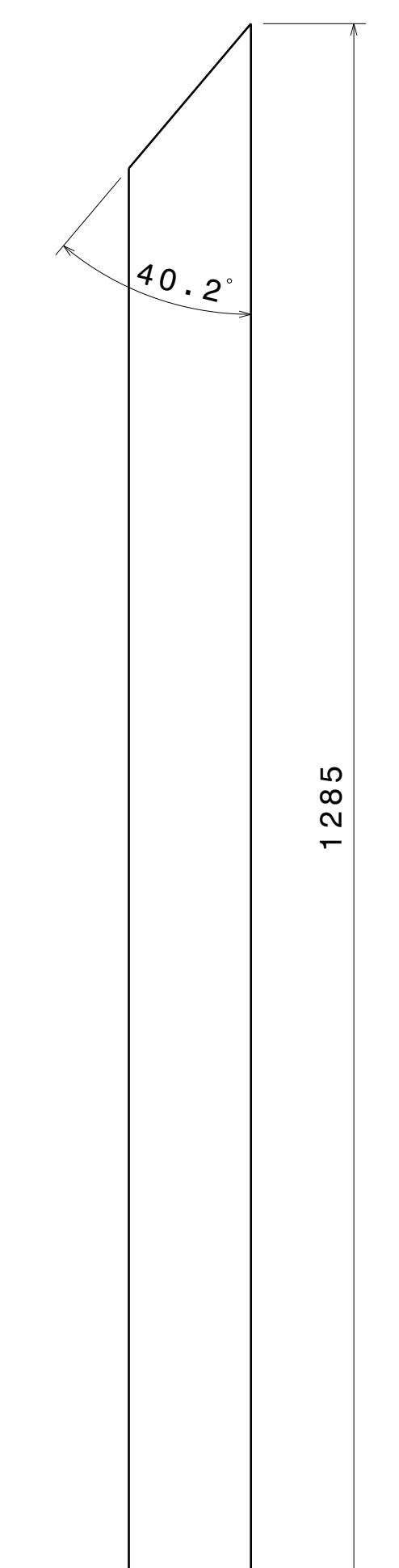
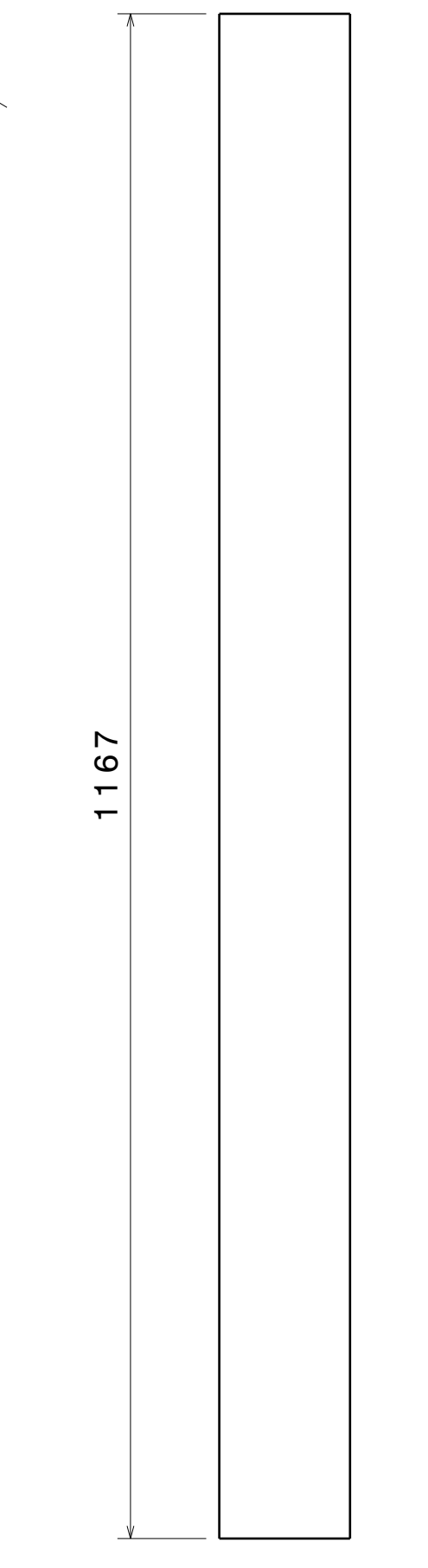
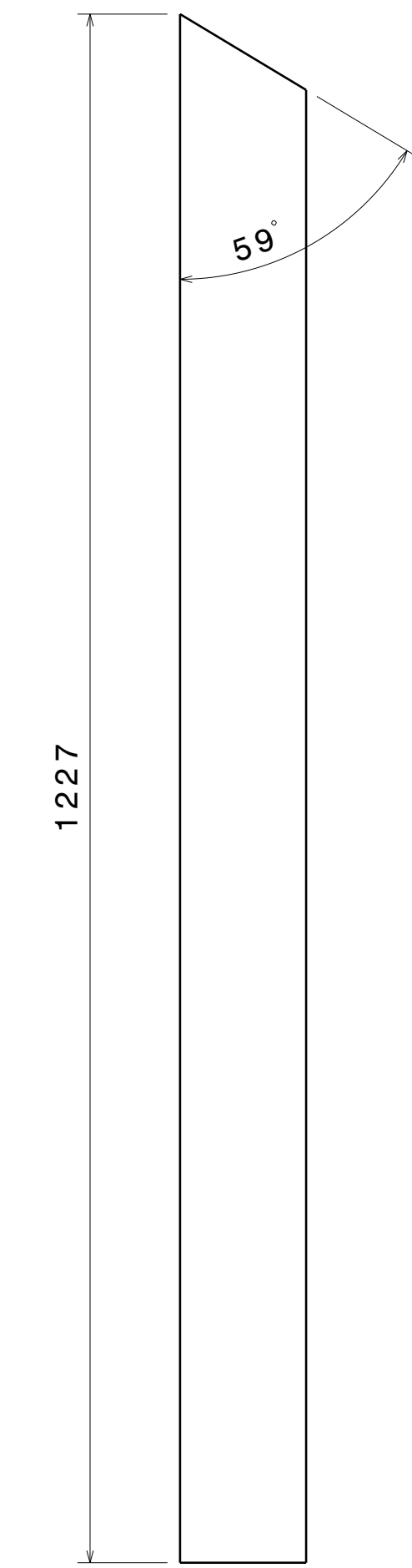
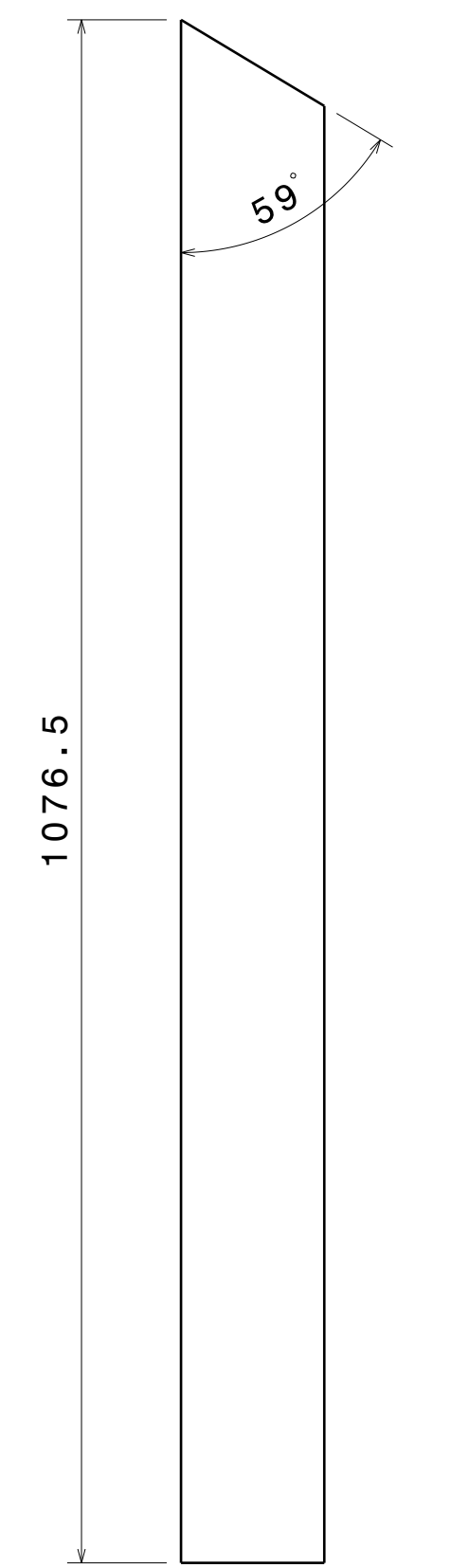
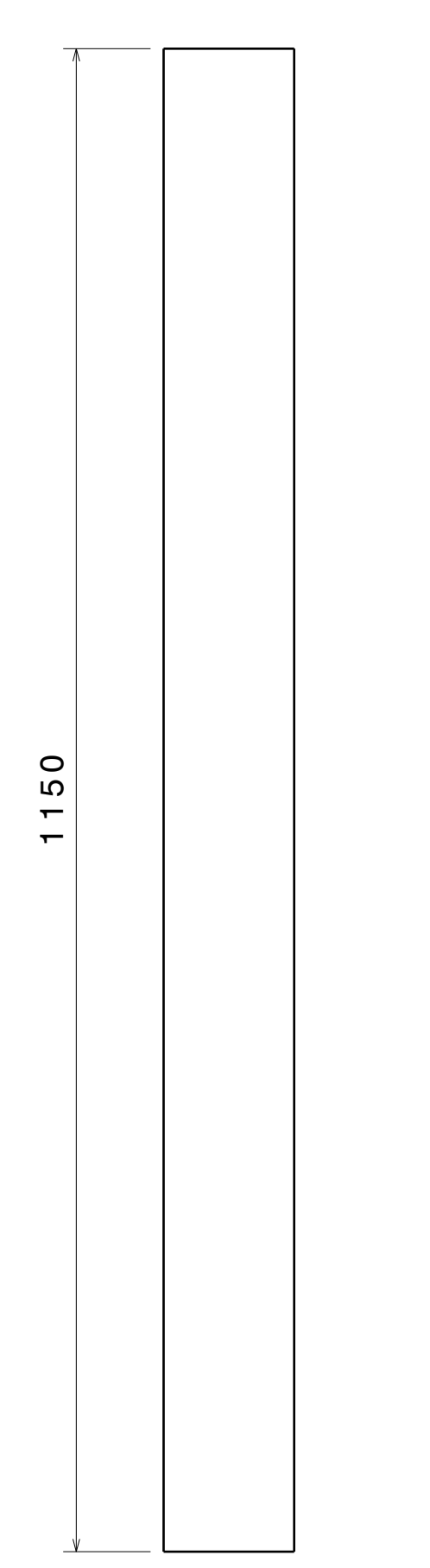
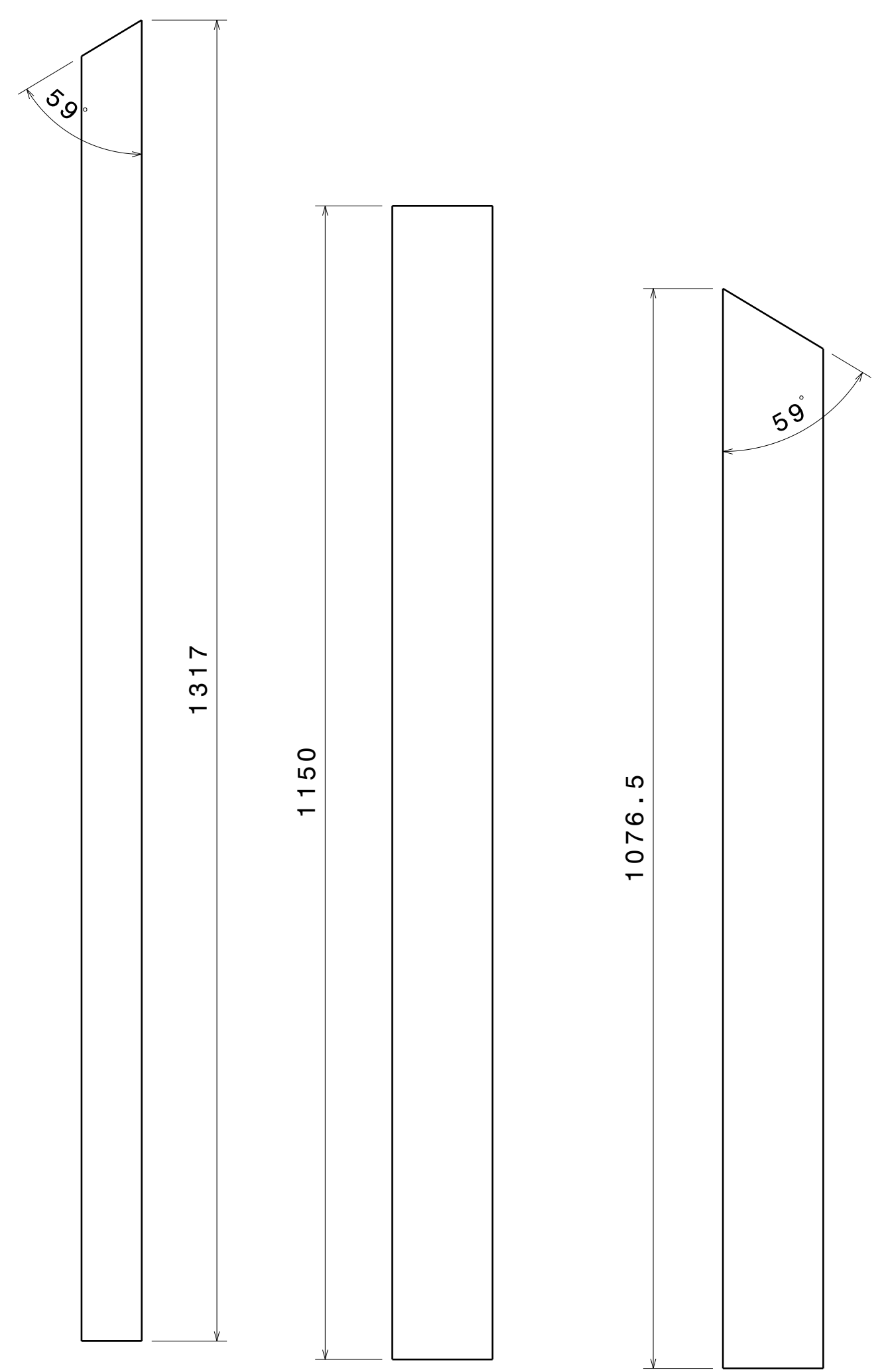
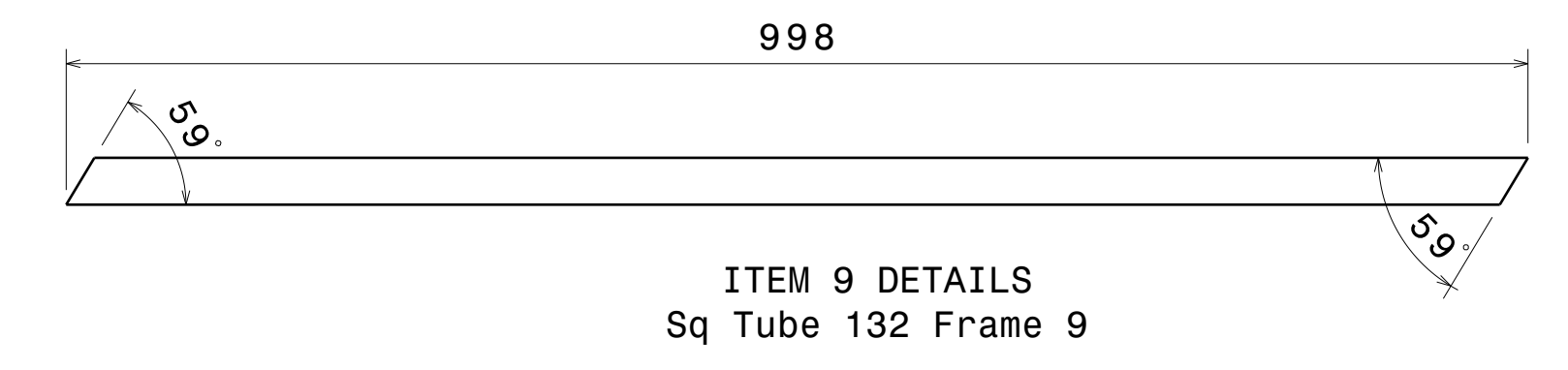
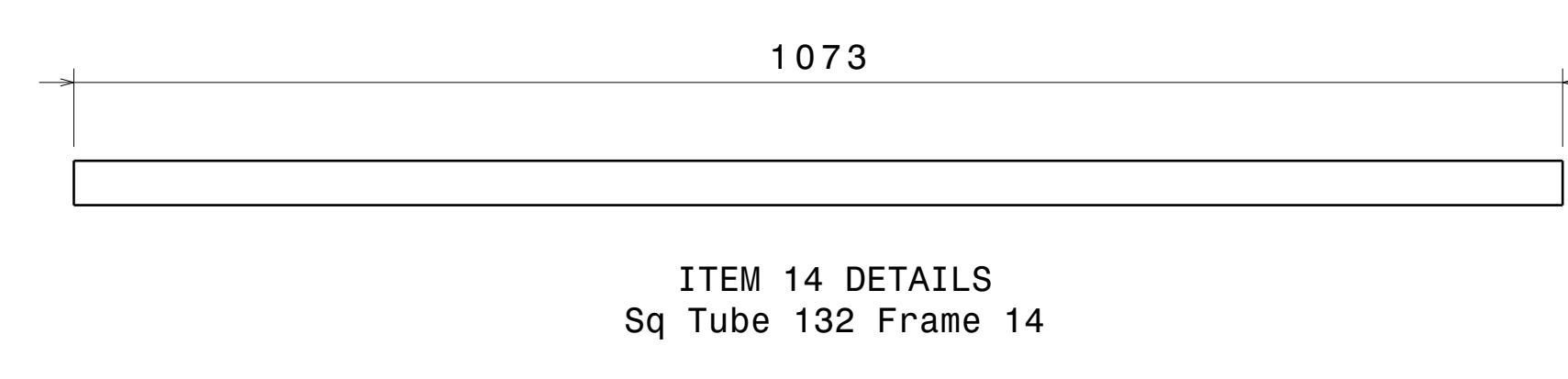
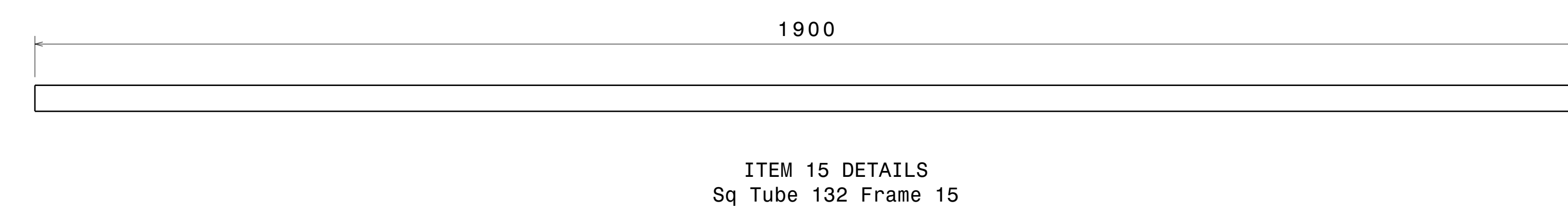
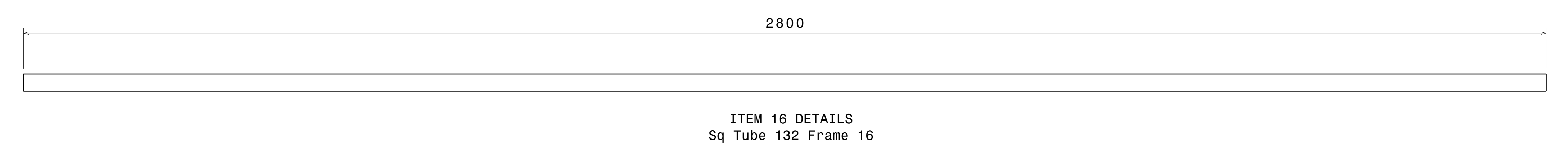
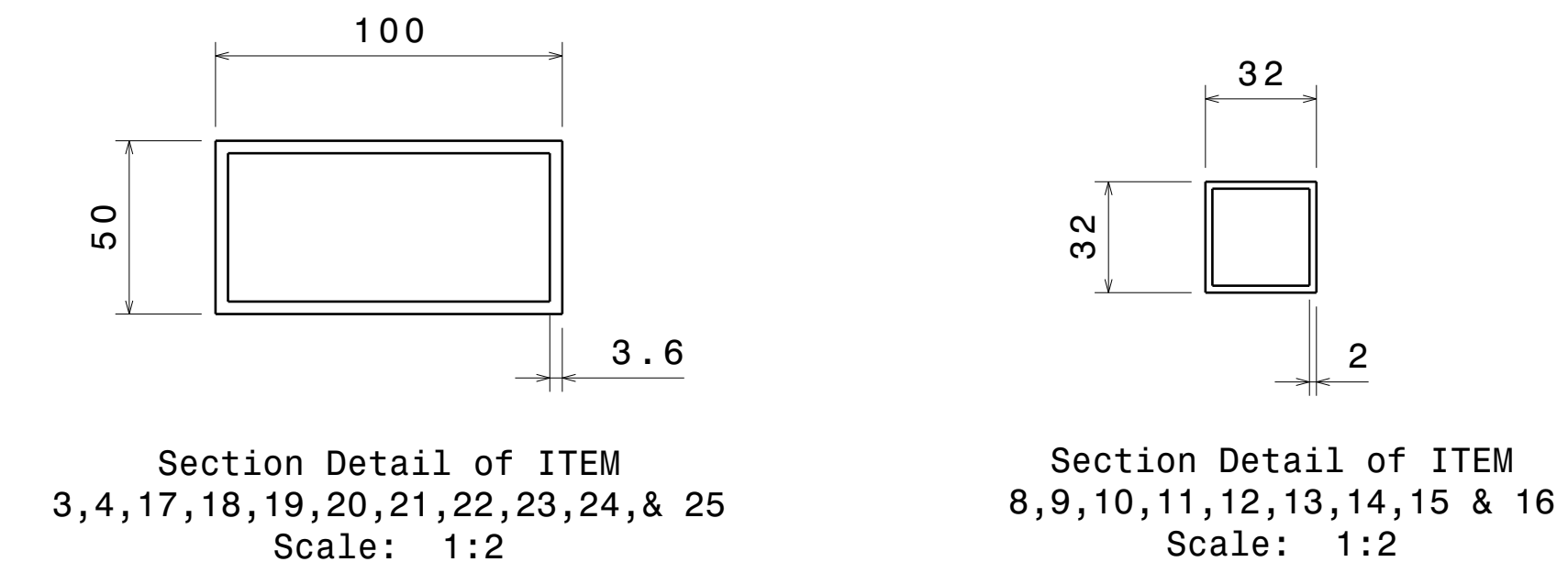
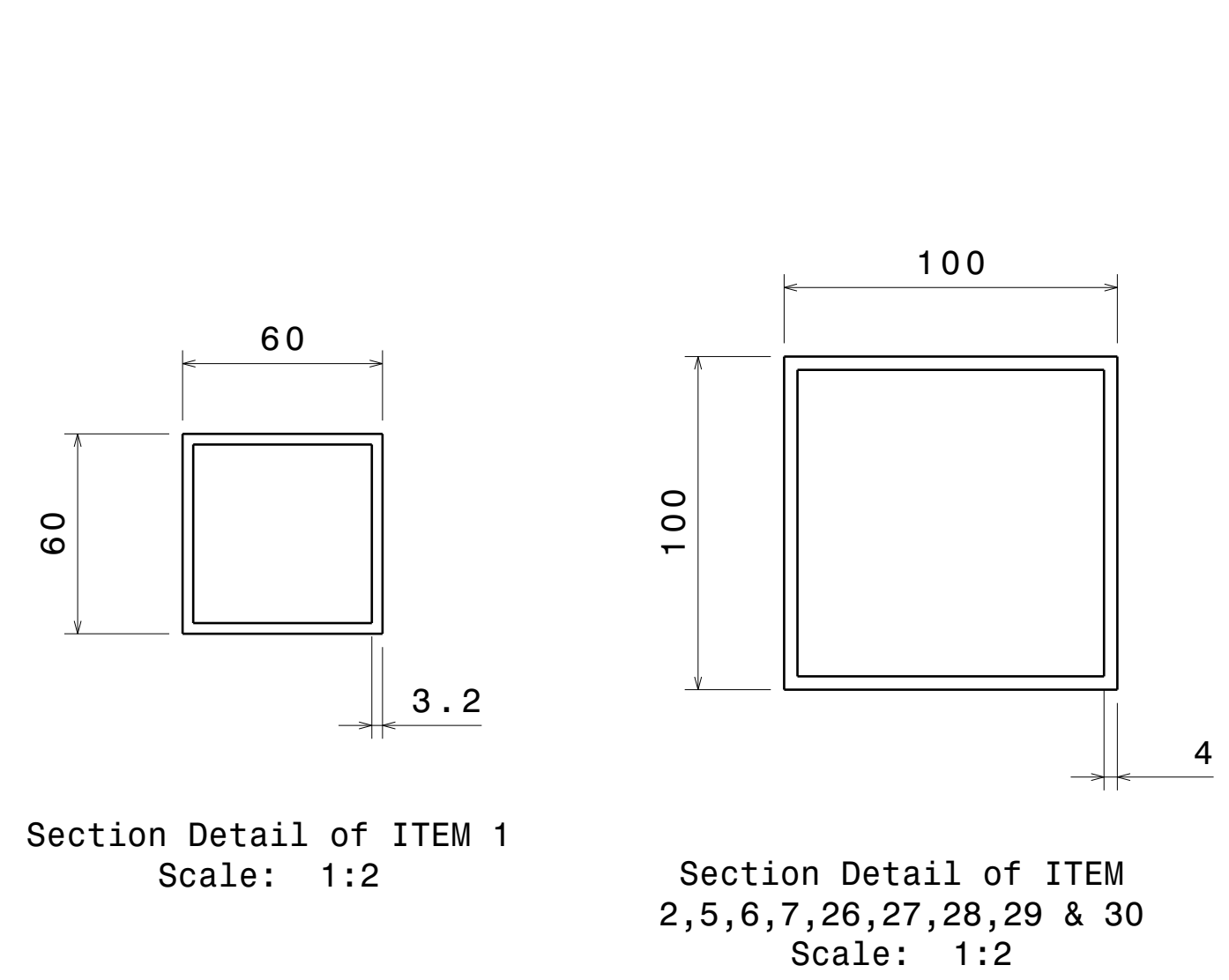
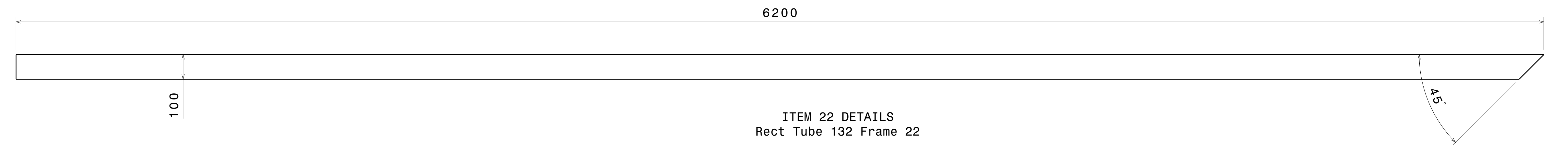
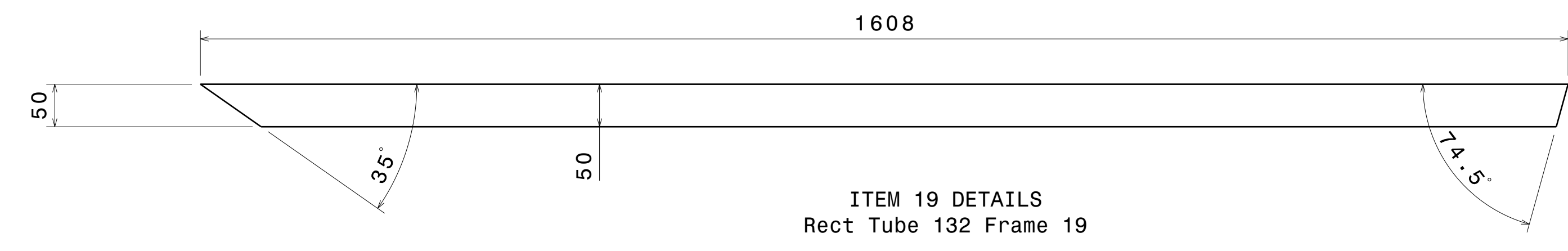
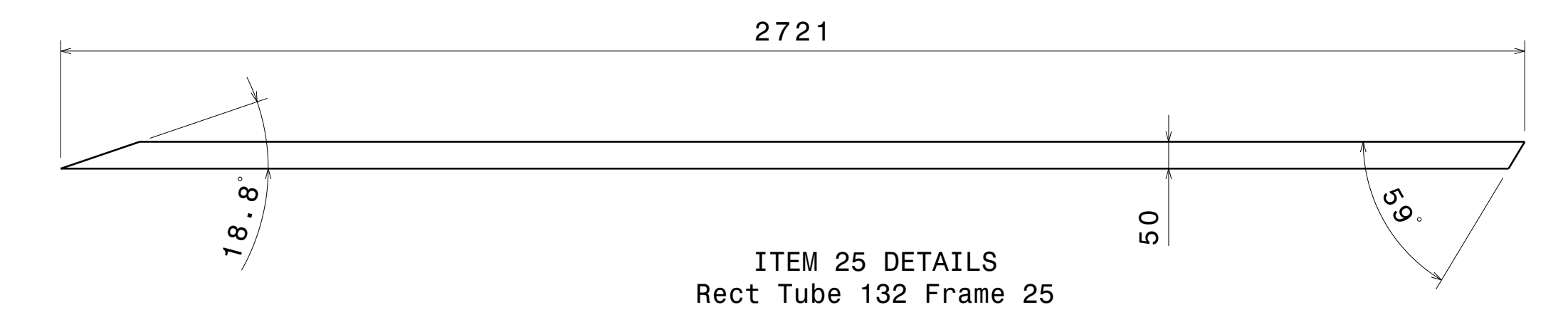
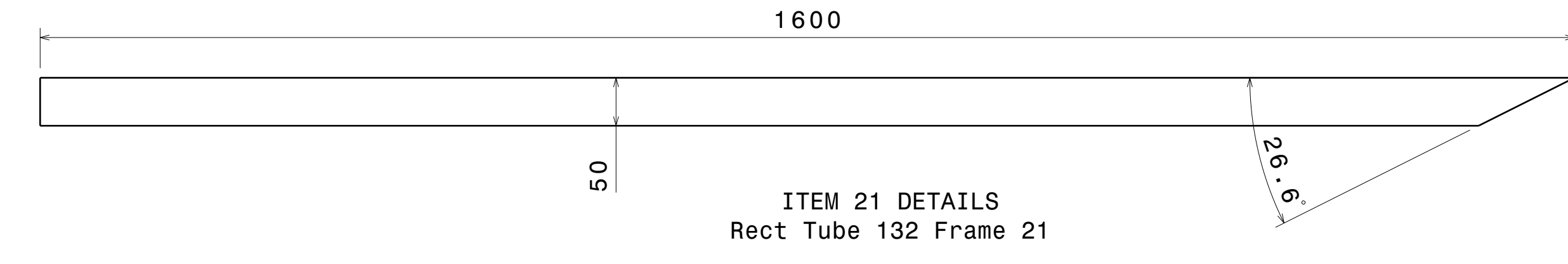
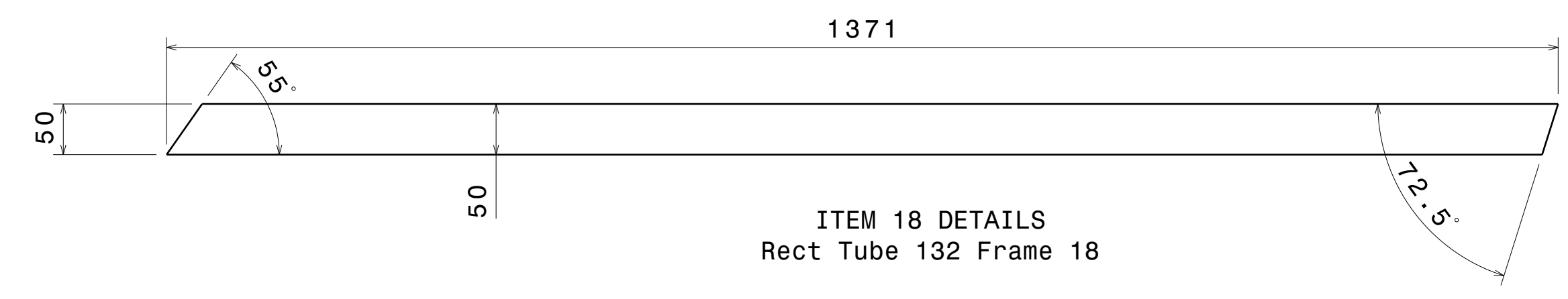
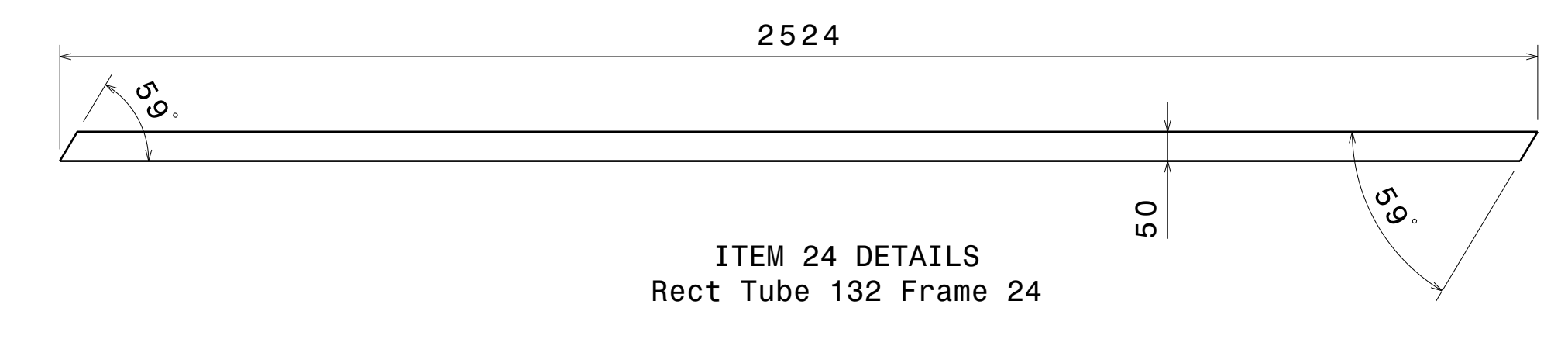
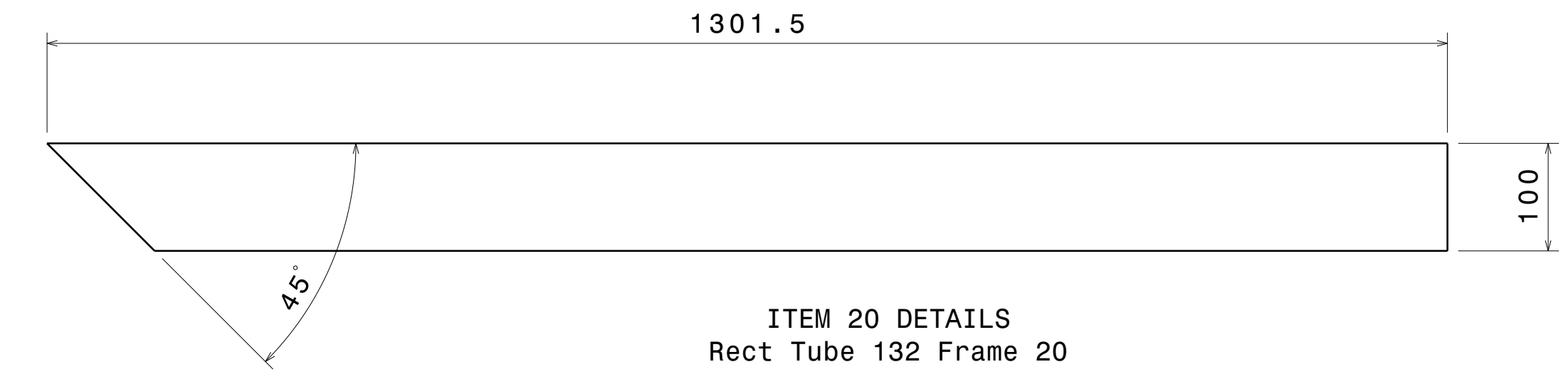
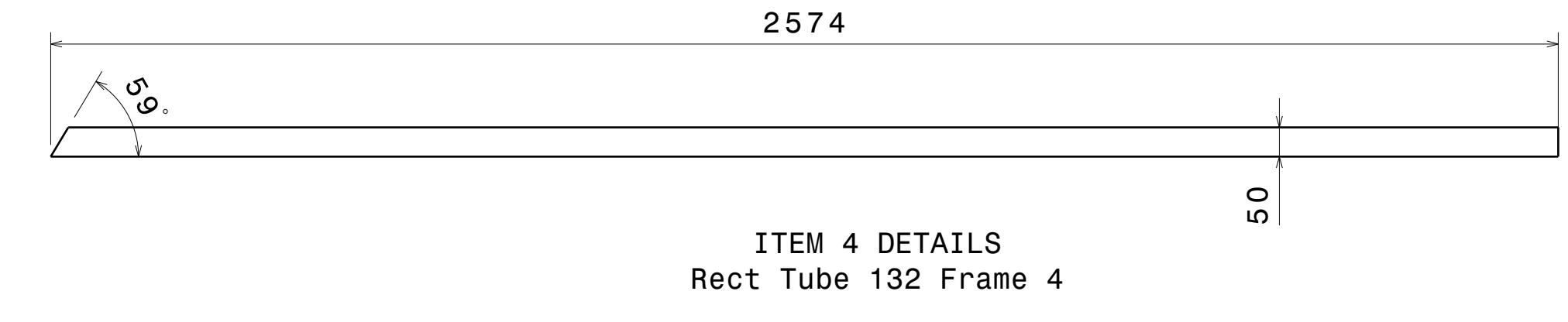
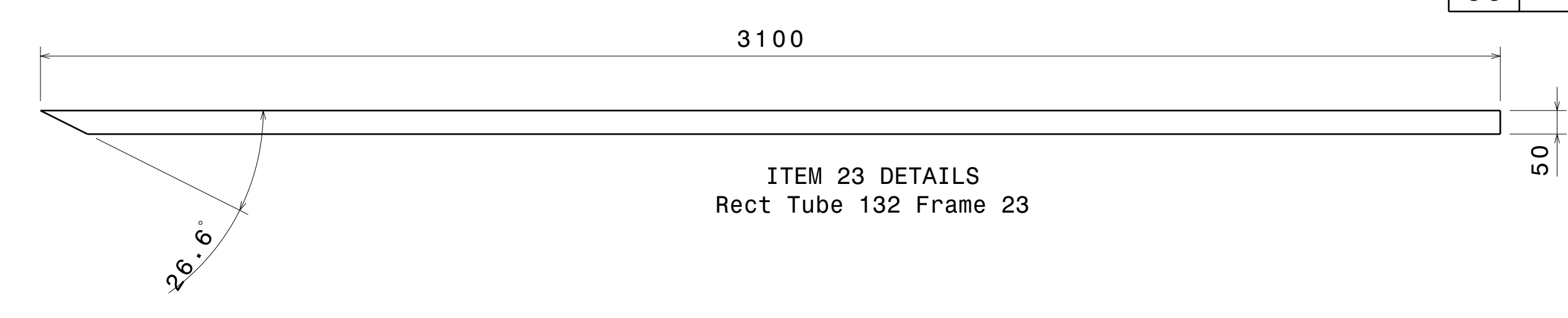
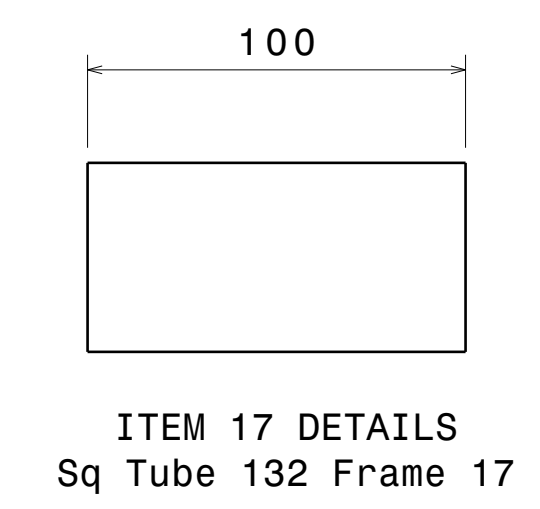
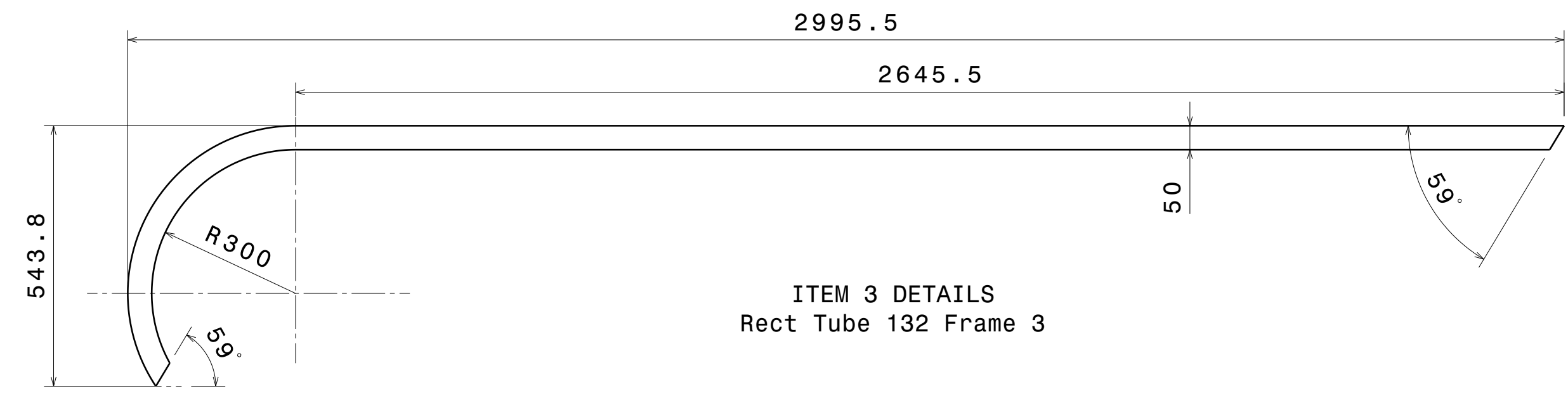
DRAWN BY	DATE
SB	08/04/2020
CHECKED BY	DATE
P2P Analysis & Solutions	08/04/2020
DESIGNED BY	DATE
P2P Analysis & Solutions	08/04/2020

SIZE	DRAWING NUMBER	REV
A0	P2P HAND RAIL_14	00
SCALE	WEIGHT (kg)	XXX
NONE		

UNLESS OTHERWISE SPECIFIED DIMENSION ARE IN MM VIEWS: THIRD ANGLE PROJECTION



REV	DATE	DESCRIPTION
00	08/04/2020	INITIAL REVISION



UNLESS OTHERWISE SPECIFIED DIMENSION ARE IN MM
 VIEWS: THIRD ANGLE PROJECTION

This drawing is our property. It can't be reproduced or communicated without our written agreement.
 DRAWN BY: SB
 CHECKED BY: P2P Analysis & Solutions
 DESIGNED BY: P2P Analysis & Solutions

APL APOLLO TUBES LTD.		DRAWING TITLE	
PAGE 132		REV	
SIZE	DRAWING NUMBER	REV	
A0	P2P HAND RAIL_14	00	
SCALE	NONE	WEIGHT (kg)	XXX
			SHEET 3 OF 5