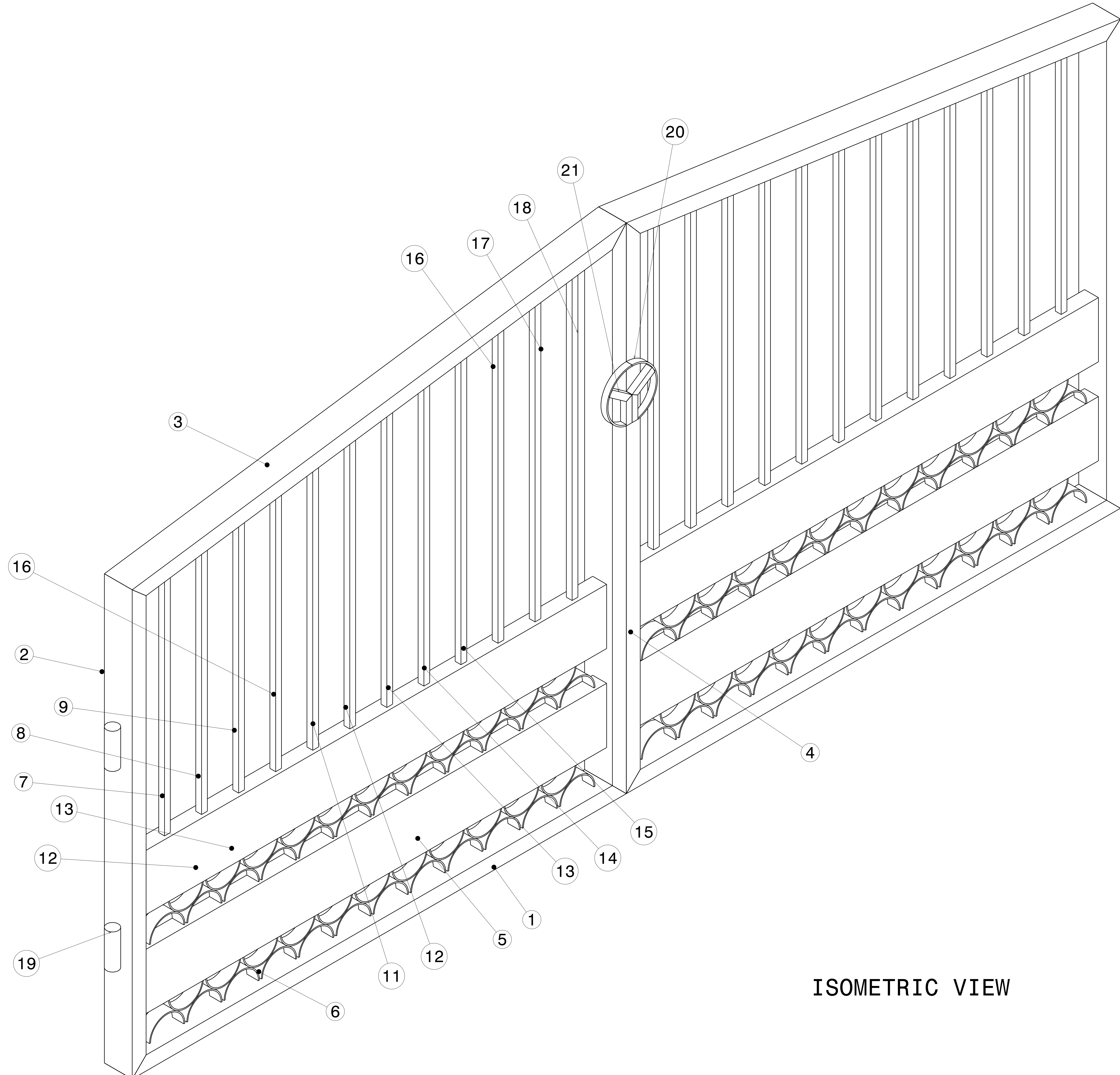


REV/DATE	DESCRIPTION
00 / 1/28/2020	INITIAL REVISION

- NOTES:
- (⊥) ALL VERTICAL SUPPORTS ARE PERPENDICULAR.
 - FLATNESS OF .5MM IS APPLIED BY DEFAULT.
 - ⊲ WELD BEAD OF 2MM RADIUS IS FOLLOWED.
 - ▽ SURFACE FINISH MEDIUM TO SMOOTH IS USED.
 - ALL TUBES ARE AS PER APL APOLLO STANDARD. CHANGES MAY EFFECT THE LOAD CAPACITY.
 - DUAL DIMENSIONS USED WITH BOTH METRIC AND INCH SYSTEM.
 - ALL HORIZONTAL AND VERTICAL TUBES ARE PERPENDICULAR TO EACH OTHER WITH ±1 DEG.
 - FINE WELDING IS REQUIRED AS PER MENTIONED DETAILS AND FINISHING.
 - HIGHER CURRENT WELDING MAY AFFECT THE BRITTLENESS OF MATERIAL WHICH LATER MAY RAISE TO WEAKENING OF STRUCTURE.



ISOMETRIC VIEW

25	HINGE		8
24	Gate 20 Square 1 - Middle 14	32 X 32 X 2 X 1725	2
23	Gate 20 Square 1 - Middle 13	32 X 32 X 2 X 1706	2
22	Gate 20 Square 1 - Middle 12	32 X 32 X 2 X 1686	2
21	Gate 20 Square 1 - Middle 11	32 X 32 X 2 X 1667	2
20	SEMI CIRCULAR TUBE 2	32 X 32 X 2 X 1647	2
19	HINGE		4
18	Gate 21 Square 1 - Middle 12	25 X 25 X 1.6 X 1249	2
17	Gate 21 Square 1 - Middle 11	25 X 25 X 1.6 X 1226	2
16	Gate 21 Square 1 - Middle 10	25 X 25 X 1.6 X 1203	2
15	Gate 21 Square 1 - Middle 9	25 X 25 X 1.6 X 1180	2
14	Gate 21 Square 1 - Middle 8	25 X 25 X 1.6 X 1158	2
13	Gate 21 Square 1 - Middle 7	25 X 25 X 1.6 X 1135	2
12	Gate 21 Square 1 - Middle 6	25 X 25 X 1.6 X 1112	2
11	Gate 21 Square 1 - Middle 5	25 X 25 X 1.6 X 1089	2
10	Gate 21 Square 1 - Middle 4	25 X 25 X 1.6 X 1066	2
9	Gate 21 Square 1 - Middle 3	25 X 25 X 1.6 X 1043	2
8	Gate 21 Square 1 - Middle 2	25 X 25 X 1.6 X 1020	2
7	Gate 21 Square 1 - Middle 1	25 X 25 X 1.6 X 998	2
6	SEMI CIRCULAR TUBE 1		92
5	Rect Tube 21 Frame 5	240 X 120 X 4 X 2014	2
4	Rect Tube 21 Frame 4	120 X 60 X 3.2 X 2134	2
3	Rect Tube 21 Frame 3	120 X 60 X 3.2 X 2156	2
2	Rect Tube 21 Frame 2	120 X 60 X 3.2 X 1829	2
1	Rect Tube 21 Frame 1	120 X 60 X 3.2 X 2133.6	2
ITEM NO.	PART NUMBER	DESCRIPTION	QTY.

This drawing is our property. It can't be reproduced or communicated without our written agreement.

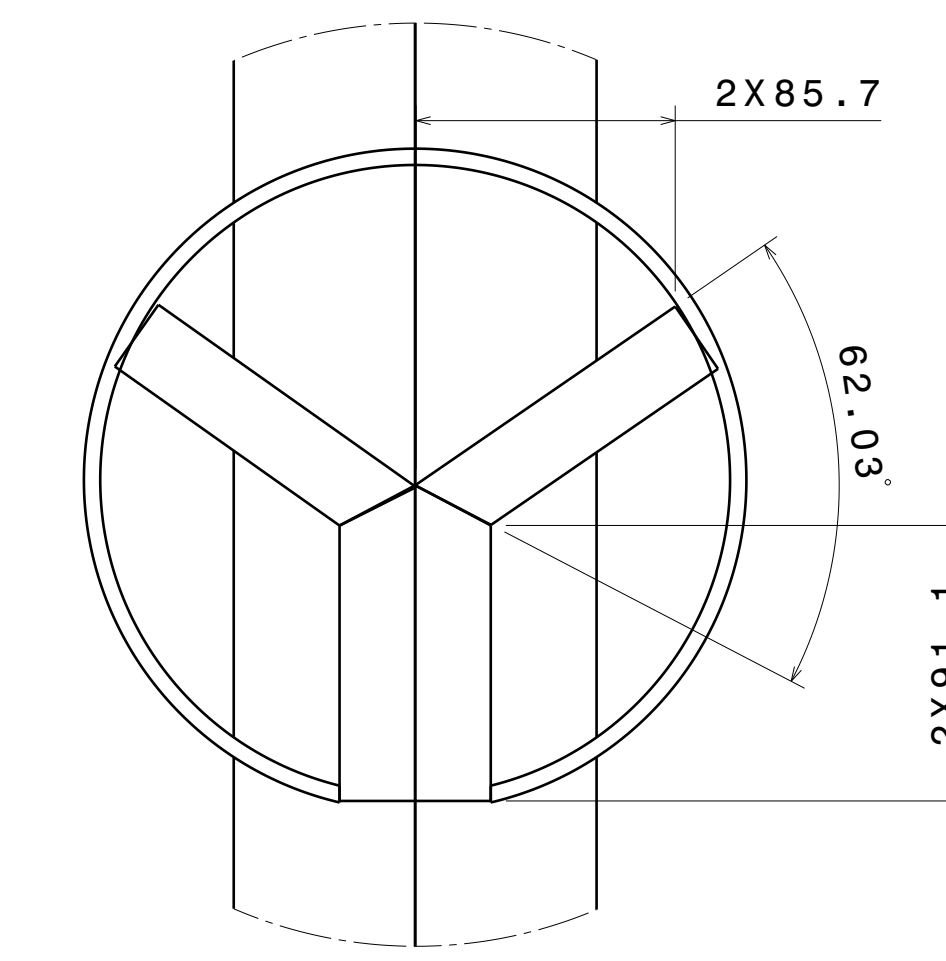
APL APOLLO TUBES LTD.

DRAWING TITLE: GATE 21

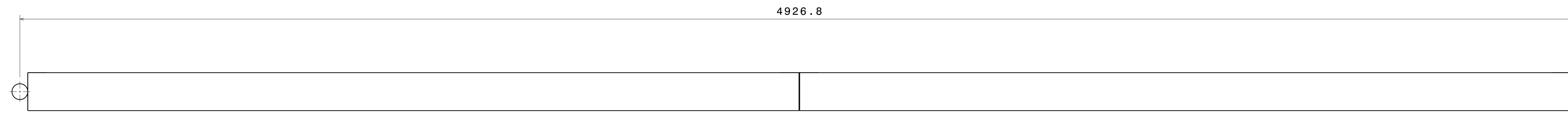
DRAWN BY: SB	DATE: 1/28/2020	SIZE: A0	DRAWING NUMBER: P2P APL_00021	REV: 00
CHECKED BY: P2P Analysis & Solutions	DATE: 1/28/2020	SCALE: NONE	WEIGHT (kg): 310	SHEET: 1
DESIGNED BY: P2P Analysis & Solutions	DATE: 1/28/2020			

UNLESS OTHERWISE SPECIFIED DIMENSION ARE IN MM VIEWS: THIRD ANGLE PROJECTION

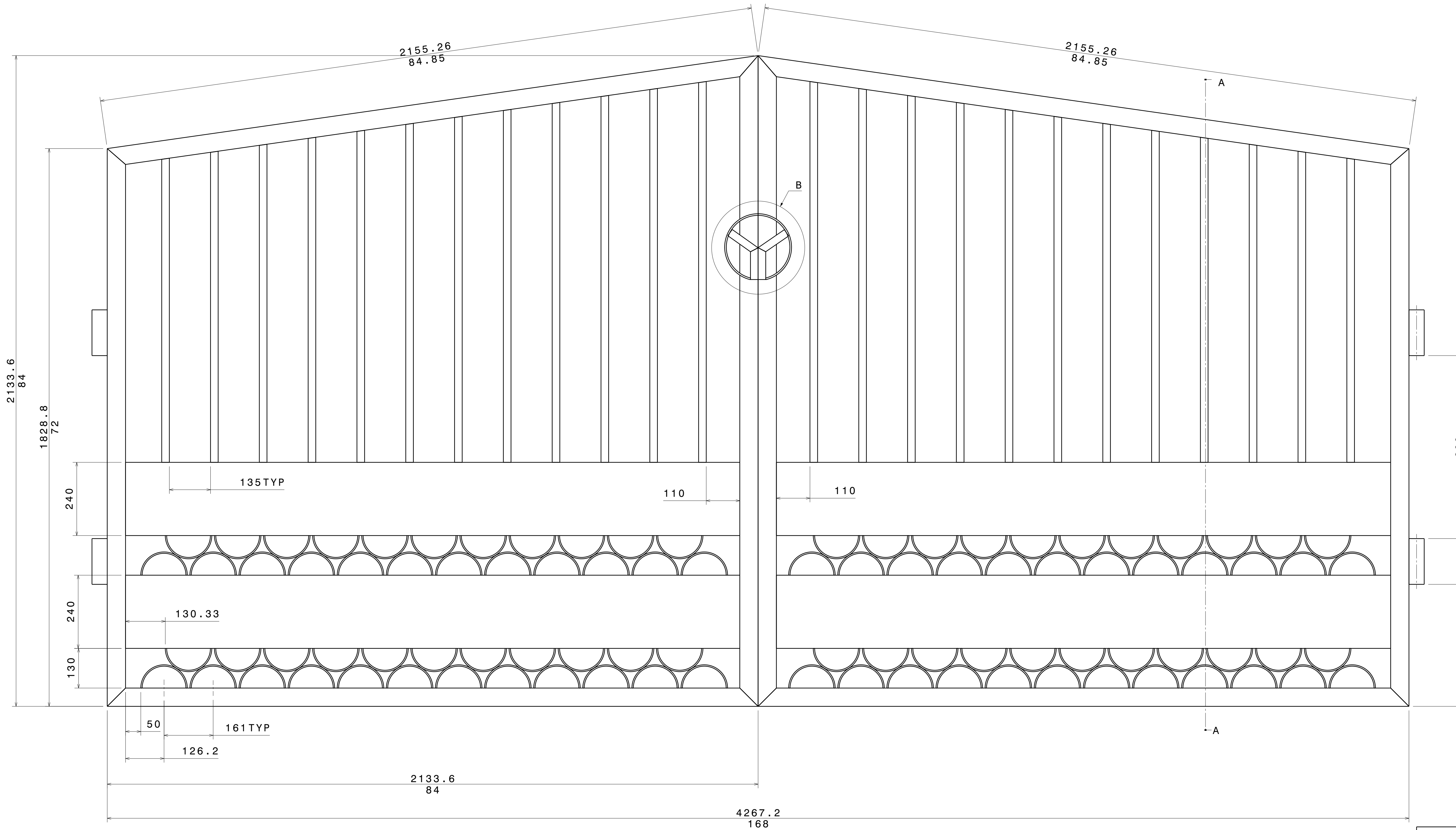
REV	DATE	DESCRIPTION
00	1/28/2020	INITIAL REVISION



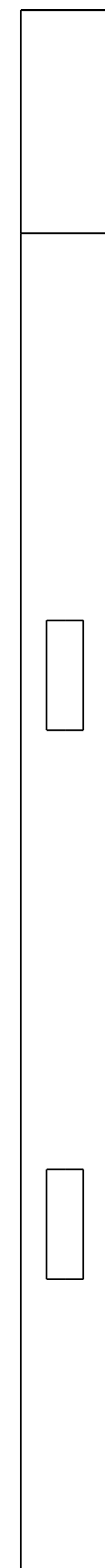
Detail B
Scale: 2:5



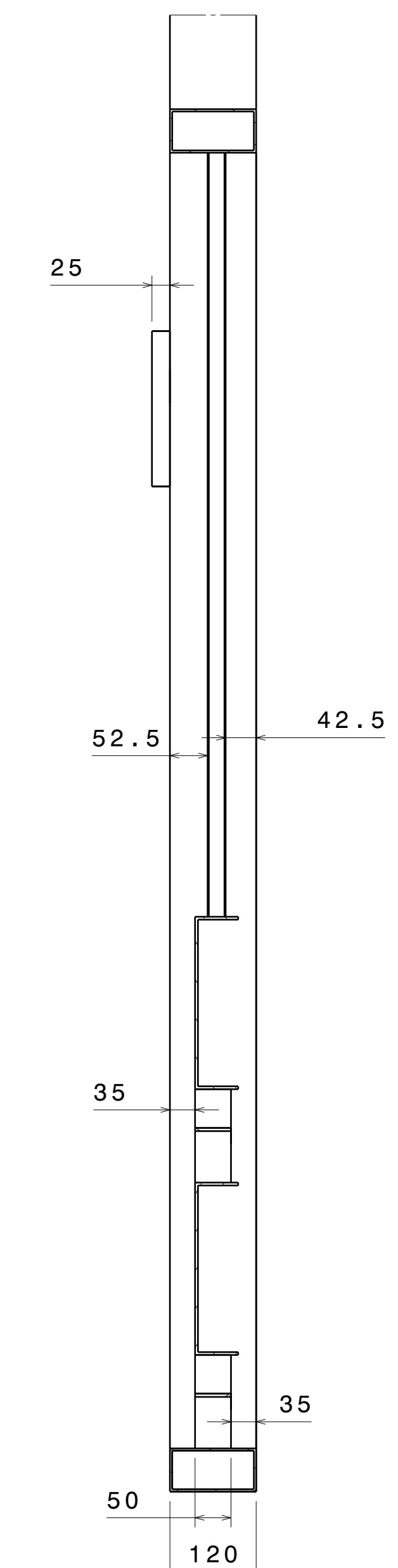
Top view
Scale: 3:20



Front view
Scale: 3:20



Left view
Scale: 3:20



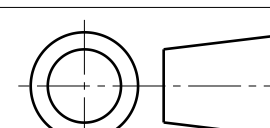
Section view A-A
Scale: 3:20

This drawing is our property. It can't be reproduced or communicated without our written agreement.

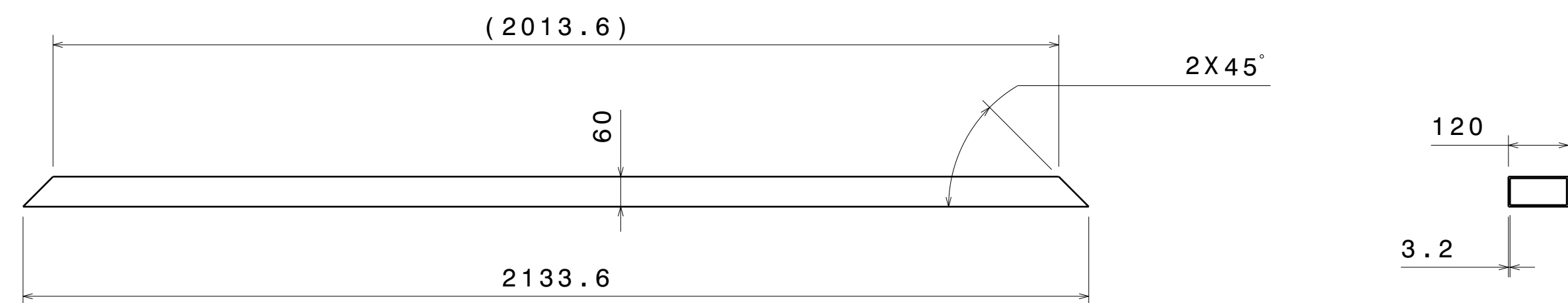
APL APOLLO TUBES LTD. 

DRAWN BY	DATE
SB	1/28/2020
CHECKED BY	DATE
P2P Analysis & Solutions	1/28/2020
DESIGNED BY	DATE
P2P Analysis & Solutions	1/28/2020

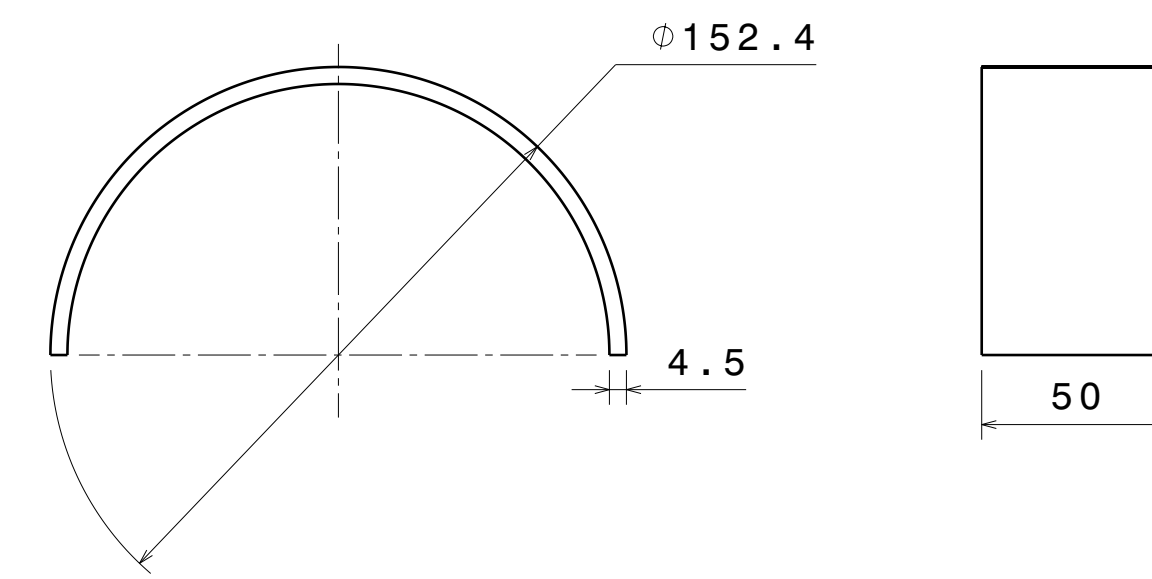
DRAWING TITLE			
GATE 21			
SIZE	DRAWING NUMBER	REV	
A0	P2P APL_00021	00	
SCALE	NONE	WEIGHT (kg)	472
		SHEET	2

UNLESS OTHERWISE SPECIFIED DIMENSION ARE IN MM VIEWS: THIRD ANGLE PROJECTION 

REV	DATE	DESCRIPTION
00	1/28/2020	INITIAL REVISION

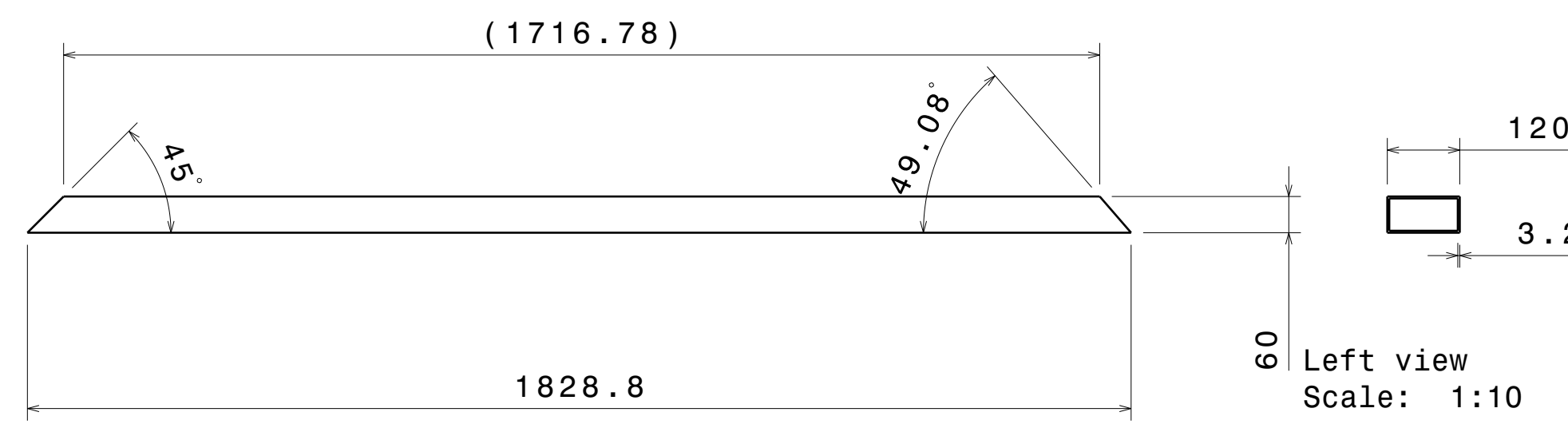


ITEM 1, QTY 2

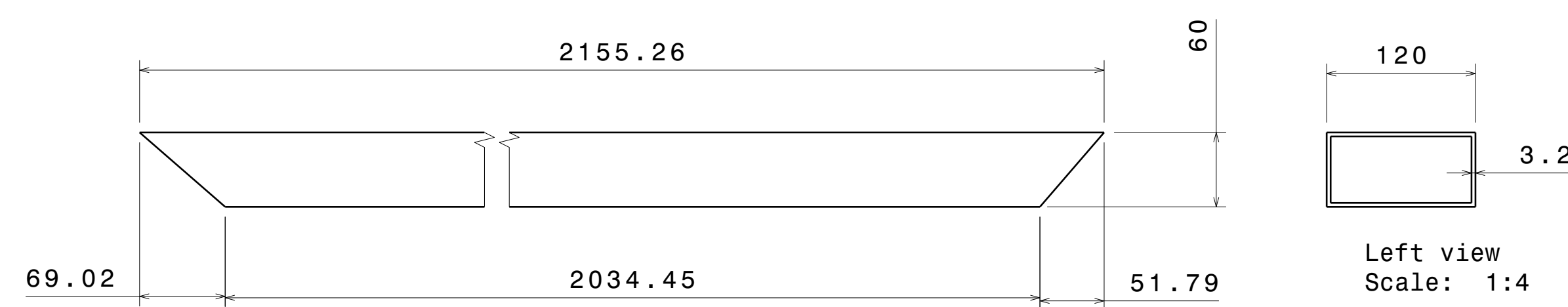


ITEM 6, QTY 92

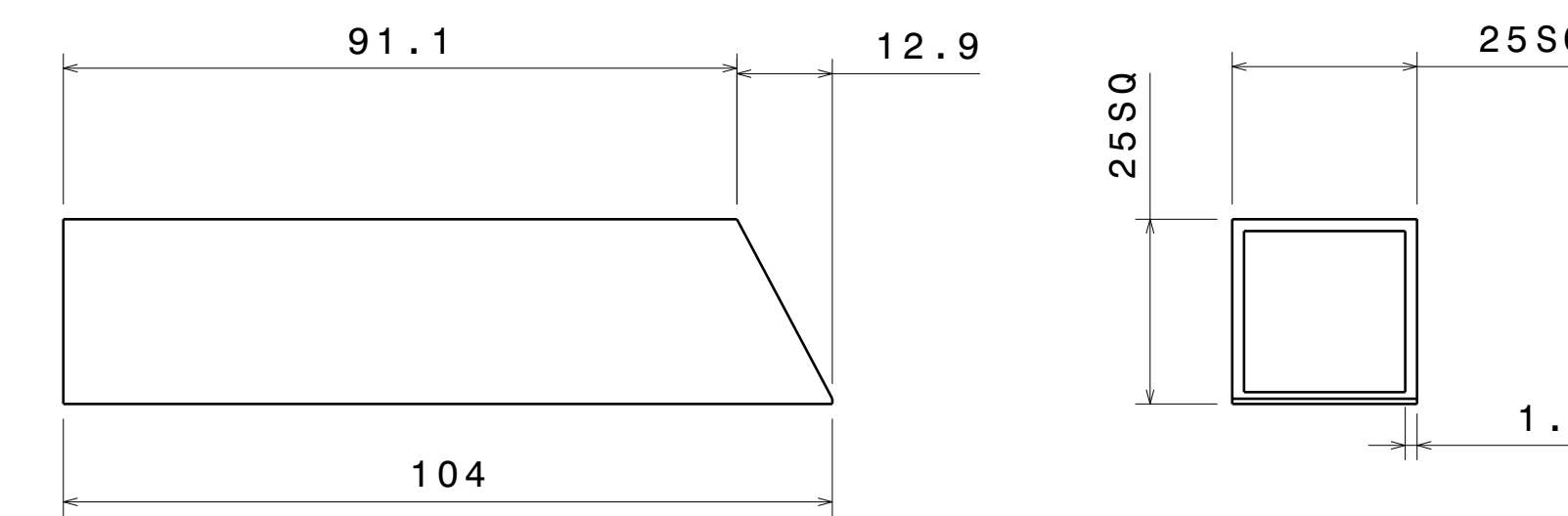
TO MANUFACTURE:
TAKE 46 CIRCULAR HOLLOW SECTIONS
OF DIA 152.4 X 4.5 THK CUT BY HALF
TO MAKE 92 SEMI-CIRCULAR FRAME.



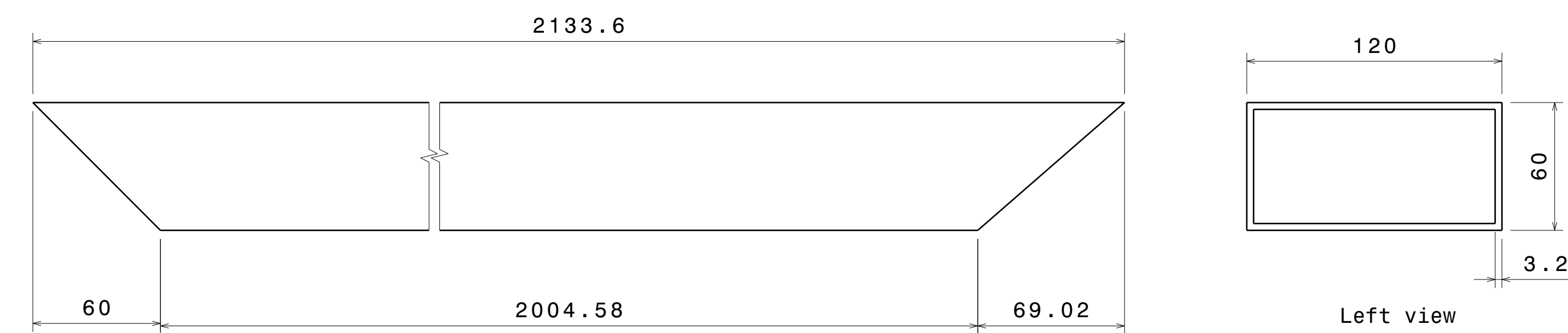
ITEM 2, QTY 2



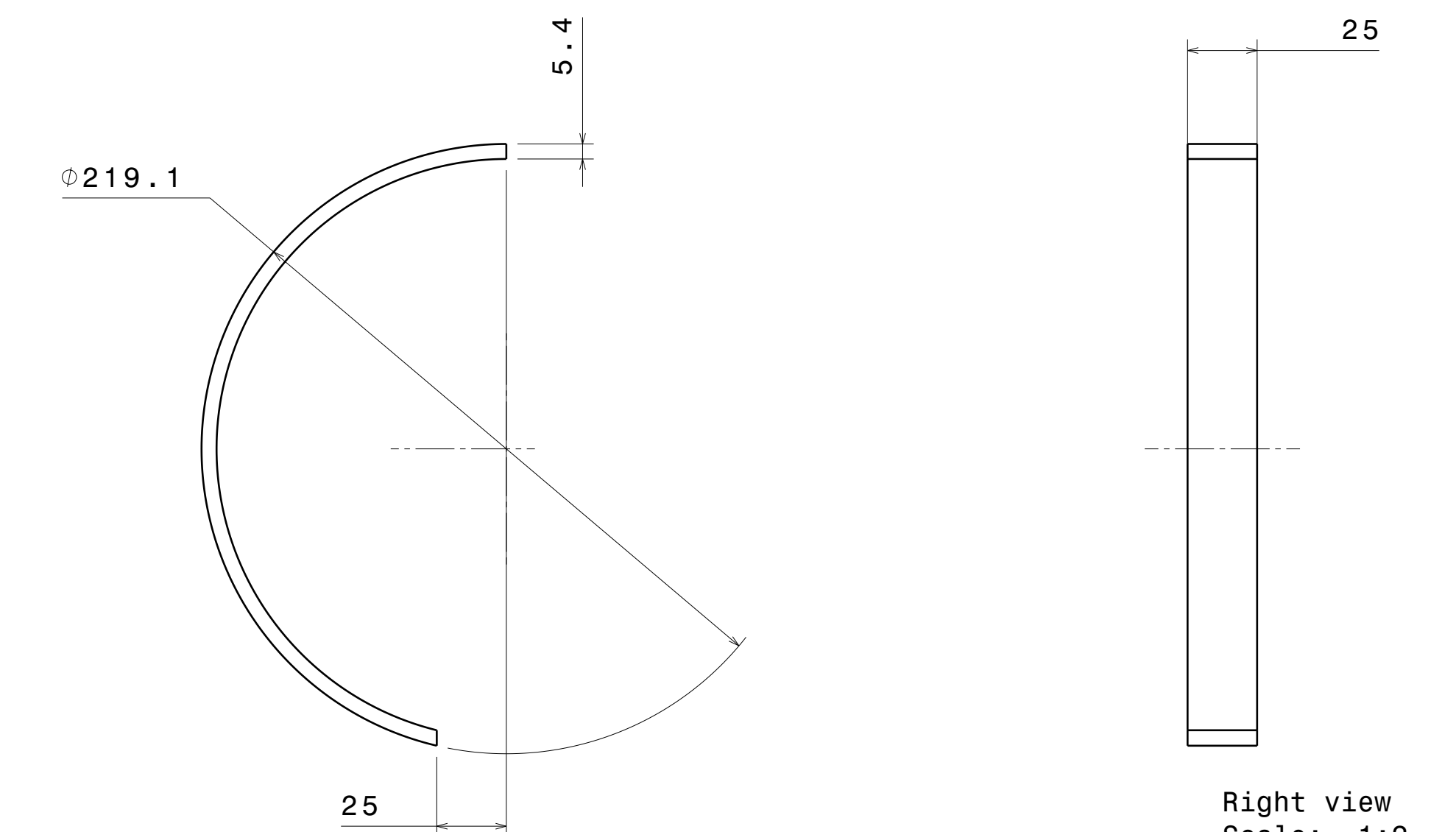
ITEM 3, QTY 2



ITEM 21, QTY

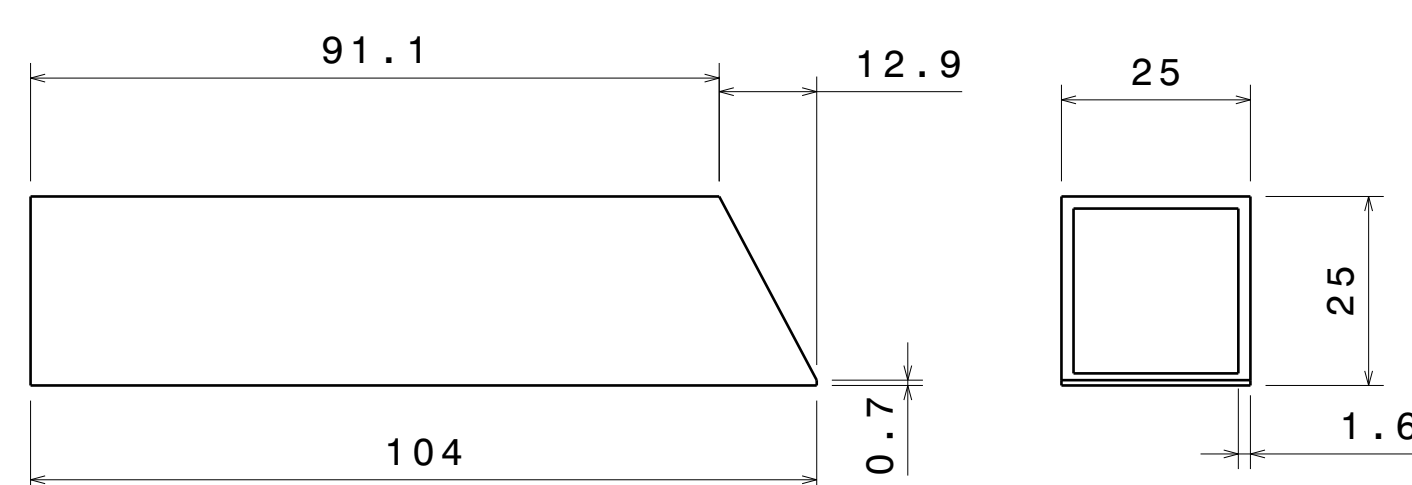


ITEM 4, QTY 2

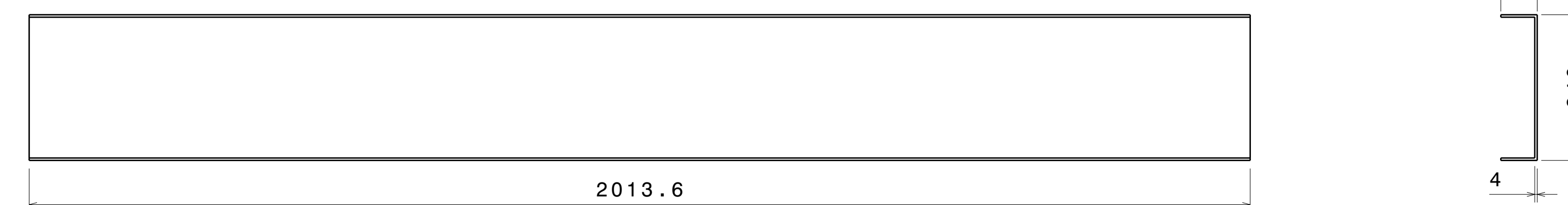


ITE 20, QTY 2

TO MANUFACTURE:
TAKE CIRCULAR HOLLOW SECTION
OF DIA 219.1 X 5.4 THK WITH LENGTH 25.
THEN CUT IT HALF PLUS 25 ADDITIONAL
ON ONE EDGE.



ITEM 19, QTY 4



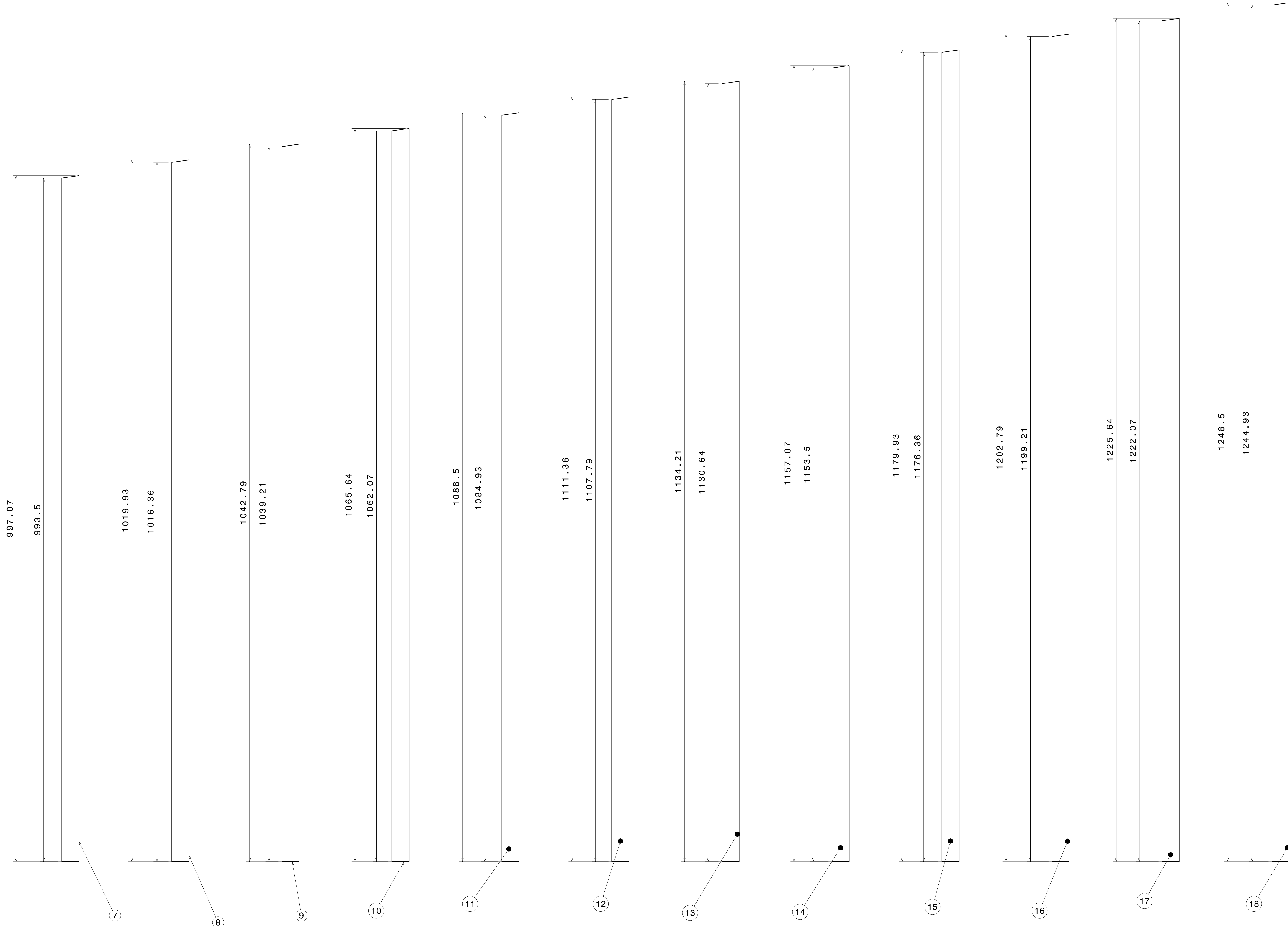
ITEM 5, QTY 4

TO MANUFACTURE: TAKE RECTANGULAR HOLLOW CROSS SECTION
OF 240 X 120 X 4 WITH LENGTH 2013.6. THEN CUT IT HALF ON
WIDTH (120 MM) SIDE TO MAKE IT 2. AND WELD AS NEEDED.

UNLESS OTHERWISE SPECIFIED DIMENSION ARE IN MM VIEWS: THIRD ANGLE PROJECTION

This drawing is our property. It can't be reproduced or communicated without our written agreement.		APL APOLLO TUBES LTD.	
DRAWN BY: SB		DRAWING TITLE: GATE 21	
CHECKED BY: P2P Analysis & Solutions		SIZE: A0	
DESIGNED BY: P2P Analysis & Solutions		DRAWING NUMBER: P2P APL_00021	
DATE: 1/28/2020	DATE: 1/28/2020	SCALE: NONE	WEIGHT (kg): XXX
DATE: 1/28/2020	DATE: 1/28/2020	SHEET: 3	REV: 00

REV	DATE	DESCRIPTION
00	1/28/2020	INITIAL REVISION



ITEM 07 TO ITEM 18, SAME CROSS SECTION 32 X 32 X 2

UNLESS OTHERWISE SPECIFIED DIMENSION ARE IN MM
 VIEWS: THIRD ANGLE PROJECTION

This drawing is our property. It can't be reproduced or communicated without our written agreement.		APL APOLLO TUBES LTD.	
DRAWN BY SB		DATE 1/28/2020	
CHECKED BY P2P Analysis & Solutions		DATE 1/28/2020	
DESIGNED BY P2P Analysis & Solutions		DATE 1/28/2020	
SIZE A0	DRAWING NUMBER P2P_APL_00021		REV 00
SCALE NONE	WEIGHT (kg) XXX	SHEET 4	