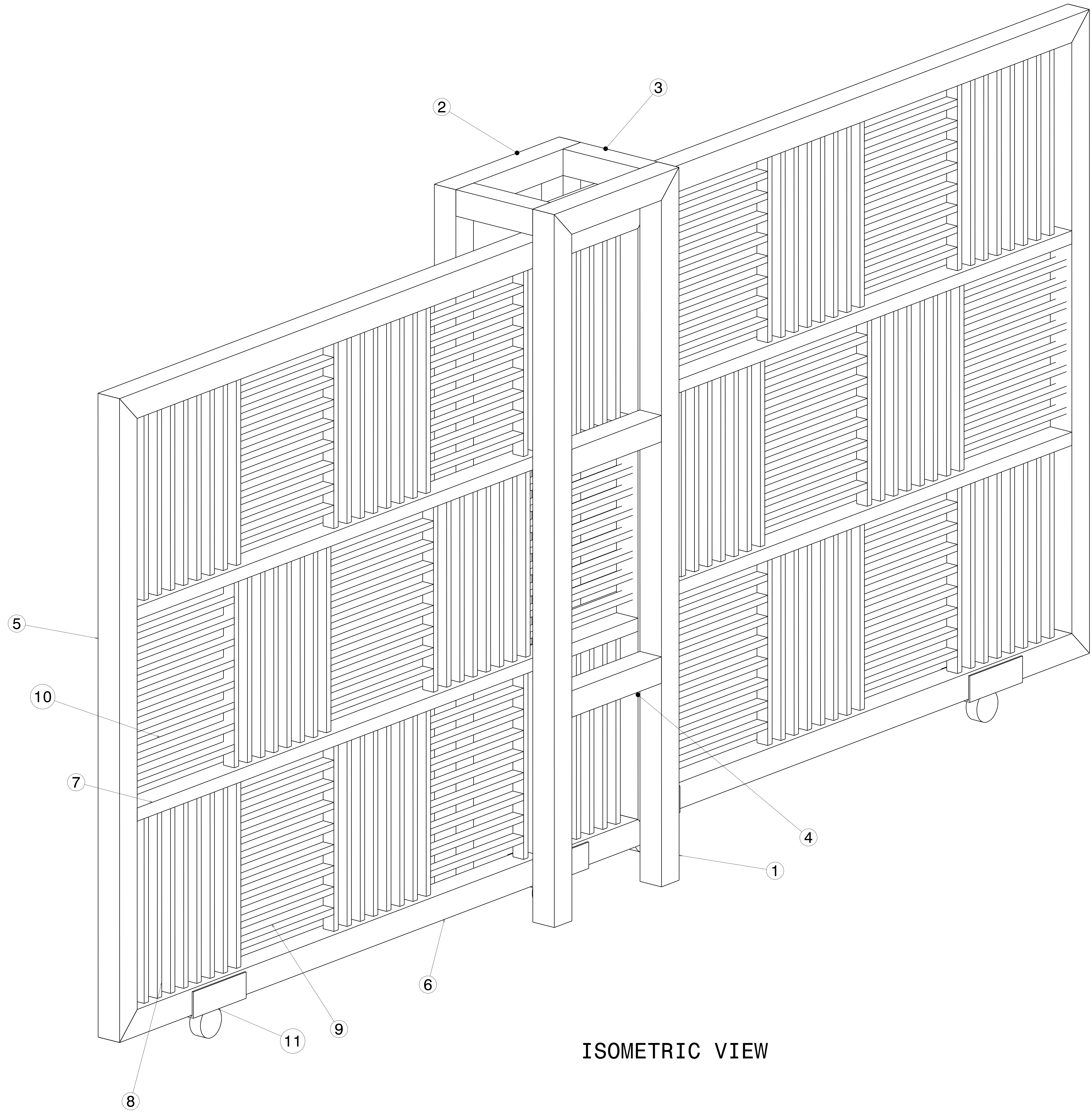


REV/DATE	DESCRIPTION
00 / 1/28/2020	INITIAL REVISION

- NOTES:
- (⊥) ALL VERTICAL SUPPORTS ARE PERPENDICULAR.
  - FLATNESS OF .5MM IS APPLIED BY DEFAULT.
  - ∩ WELD BEAD OF 2MM RADIUS IS FOLLOWED.
  - ▽ SURFACE FINISH MEDIUM TO SMOOTH IS USED.
  - ALL TUBES ARE AS PER APL APOLLO STANDARD. CHANGES MAY EFFECT THE LOAD CAPACITY.
  - DUAL DIMENSIONS USED WITH BOTH METRIC AND INCH SYSTEM IN SOME PLACES.
  - ALL HORIZONTAL AND VERTICAL TUBES ARE PERPENDICULAR TO EACH OTHER WITH ±1 DEG.
  - FINE WELDING IS REQUIRED AS PER MENTIONED DETAILS AND FINISHING.
  - HIGHER CURRENT WELDING MAY AFFECT THE BRITTLENESS OF MATERIAL WHICH LATER MAY RAISE TO WEAKENING OF STRUCTURE.



ISOMETRIC VIEW

ITEM NO.	PART NUMBER	DESCRIPTION	QTY.
11		BASE WHEEL	4
10		GATE 18 SIDE 1 RECT 5	48
9		GATE 18 SIDE 1 RECT 4	64
8		GATE 18 SIDE 1 RECT 3	128
7		GATE 18 SIDE 1 RECT 1	4
6		GATE 18 SIDE 1 SQUARE 2	4
5		GATE 18 SIDE 1 SQUARE 1	4
4		GATE 18 SQUARE TUBE 3	4
3		GATE 18 SQUARE TUBE 3	2
2		GATE 18 SQUARE TUBE 2	2
1		GATE 18 SQUARE TUBE 1	4

This drawing is our property. It can't be reproduced or communicated without our written agreement.

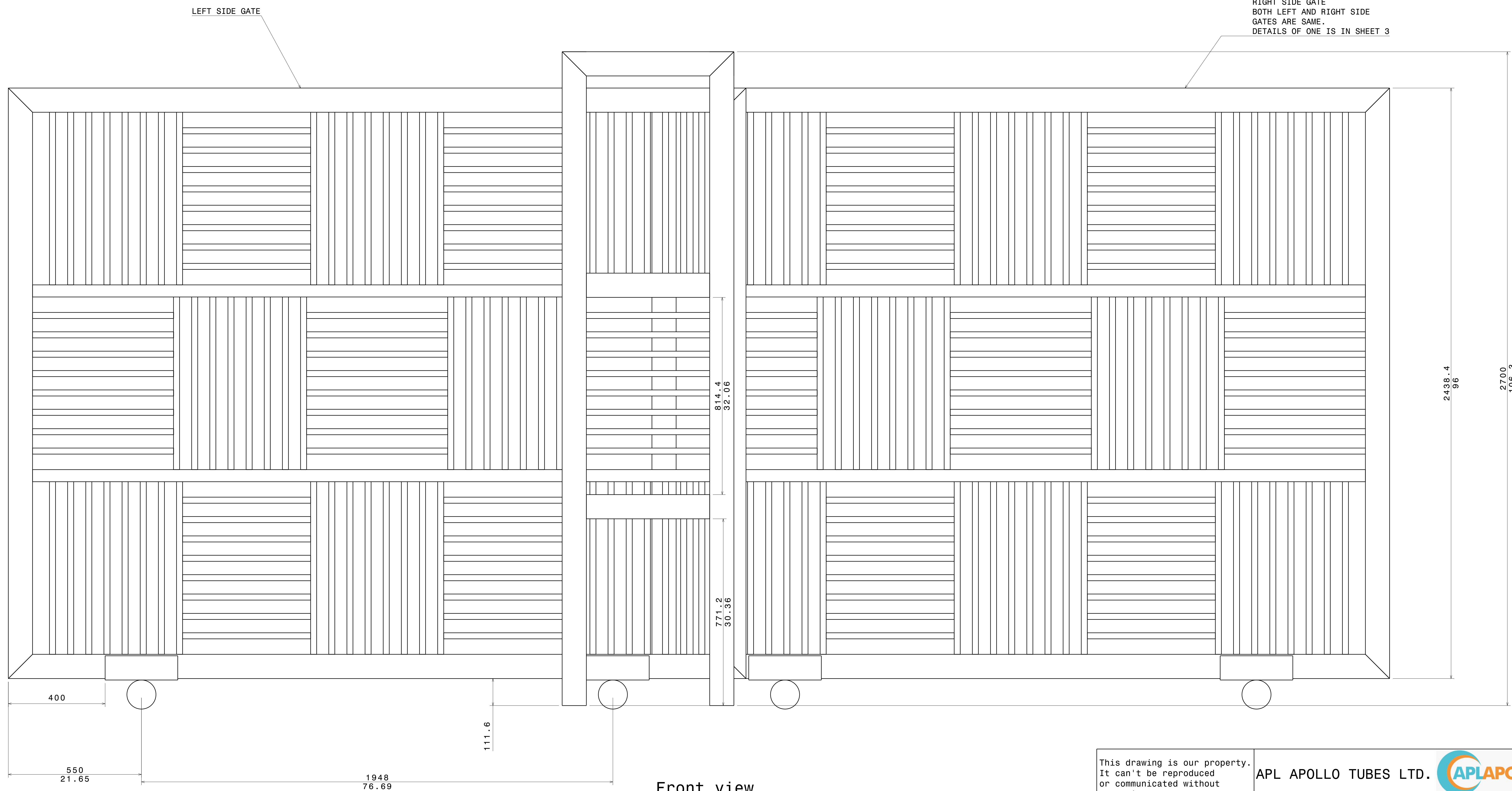
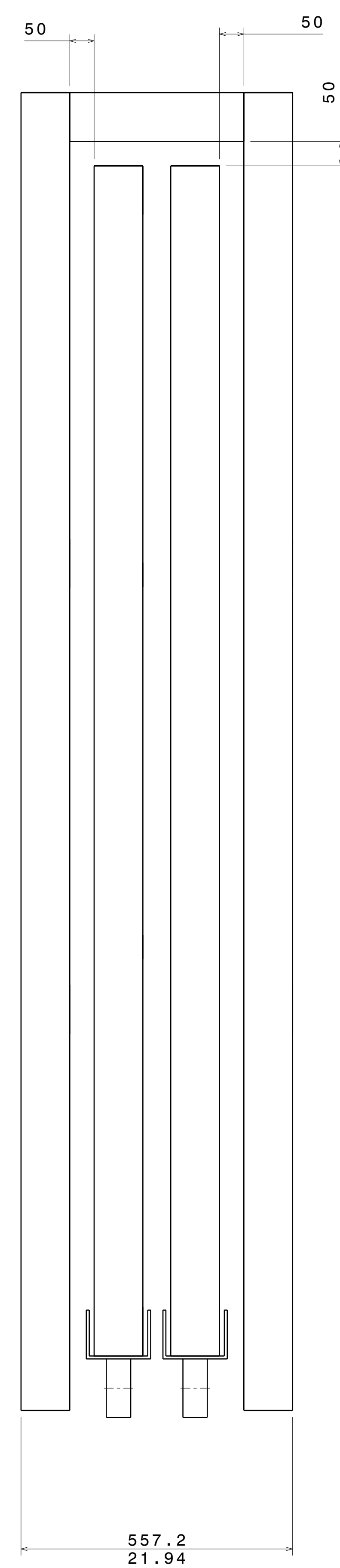
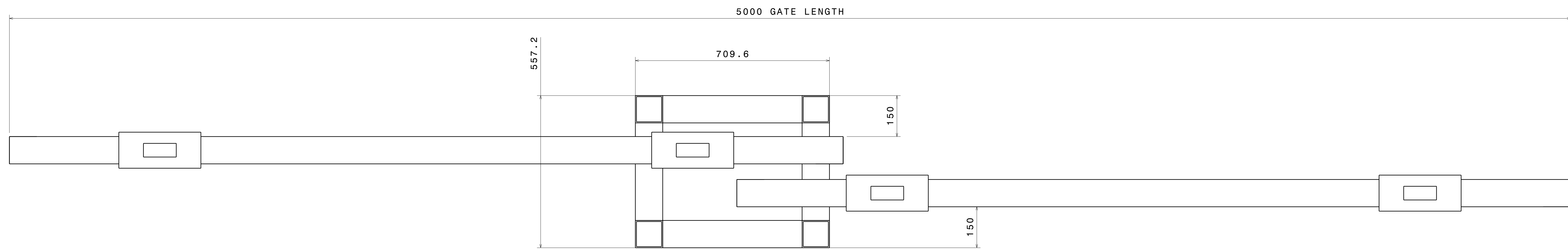
**APL APOLLO TUBES LTD.**

DRAWING TITLE: **GATE 18**


DRAWN BY: SB	DATE: 1/28/2020	SIZE: A0	DRAWING NUMBER: P2P APL_00018	REV: 00
CHECKED BY: P2P Analysis & Solutions	DATE: 1/28/2020	SCALE: 1:1	WEIGHT (kg): XXX	SHEET: 1
DESIGNED BY: P2P Analysis & Solutions	DATE: 1/28/2020			

UNLESS OTHERWISE SPECIFIED DIMENSION ARE IN MM VIEWS: THIRD ANGLE PROJECTION

REV	DATE	DESCRIPTION
00	1/28/2020	INITIAL REVISION



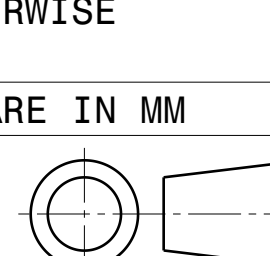
This drawing is our property. It can't be reproduced or communicated without our written agreement.

**APL APOLLO TUBES LTD.** 

**DRAWING TITLE**  
GATE 18

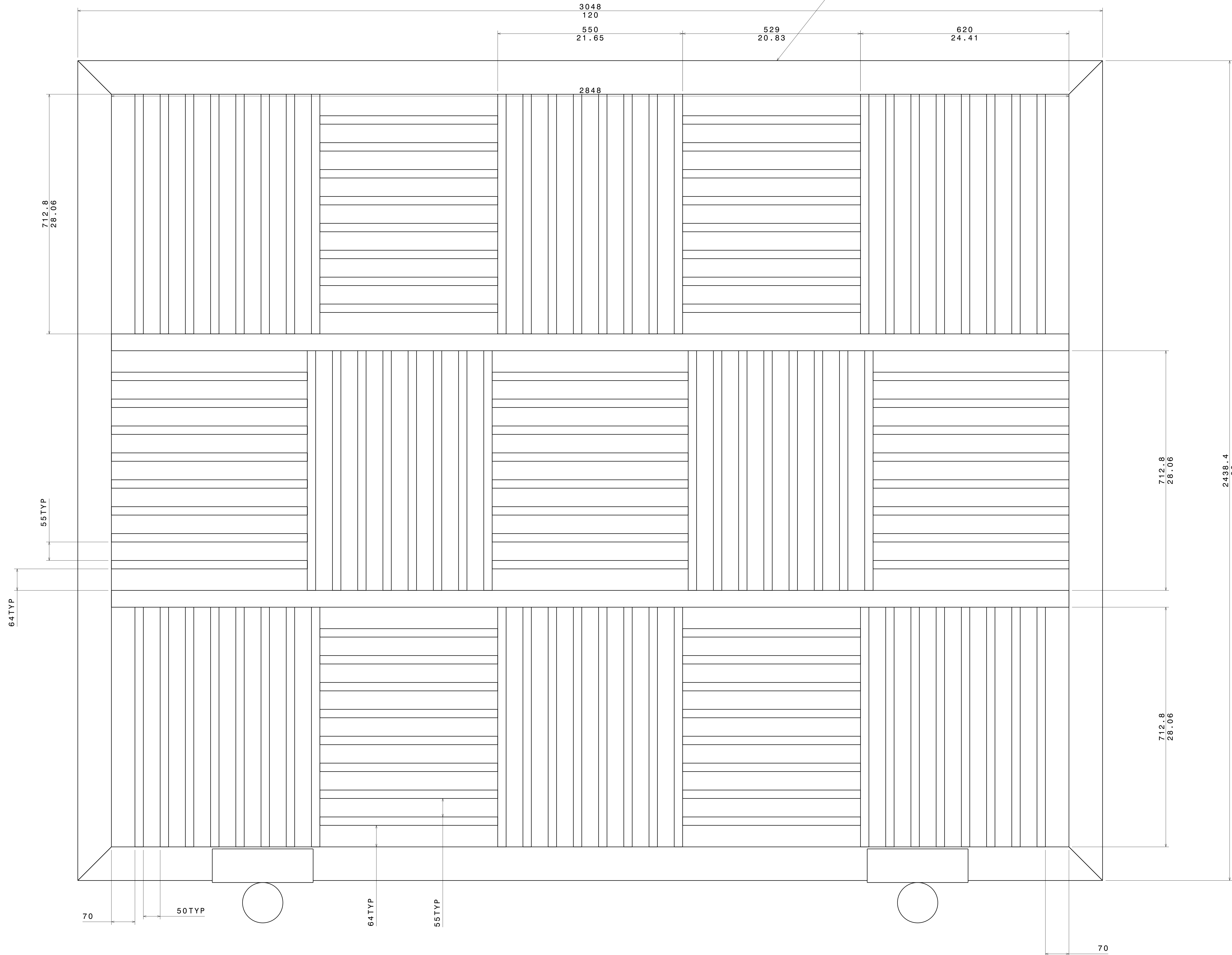
DRAWN BY SB	DATE 1/28/2020	SIZE A0	DRAWING NUMBER P2P APL_00018	REV 00
CHECKED BY P2P Analysis & Solutions	DATE 1/28/2020	SCALE 1:1	WEIGHT (kg) XXX	SHEET 2
DESIGNED BY P2P Analysis & Solutions	DATE 1/28/2020			

UNLESS OTHERWISE SPECIFIED DIMENSION ARE IN MM  
VIEWS: THIRD ANGLE PROJECTION



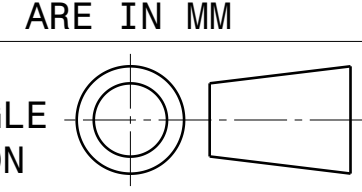
REV	DATE	DESCRIPTION
00	1/28/2020	INITIAL REVISION

DETAILS OF RIGHT SIDE GATE  
BOTH LEFT AND RIGHT SIDE  
GATES ARE SAME




Front view  
Scale: 11:50

UNLESS OTHERWISE SPECIFIED DIMENSION ARE IN MM  
VIEWS: THIRD ANGLE PROJECTION

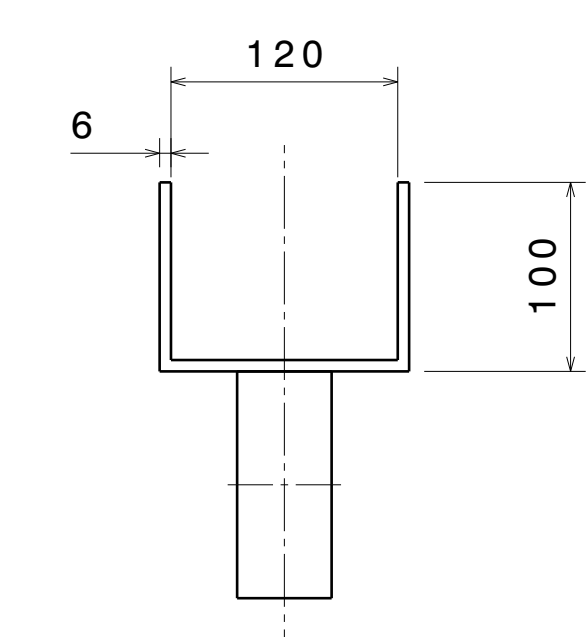
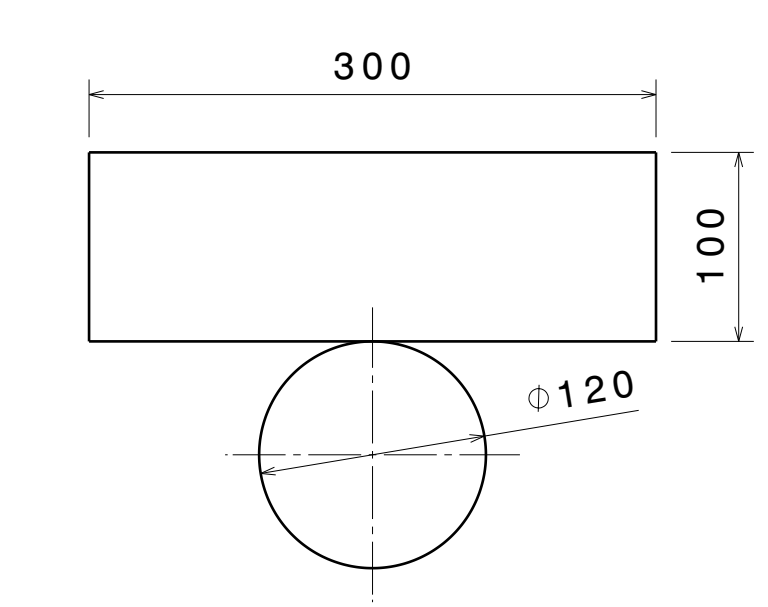
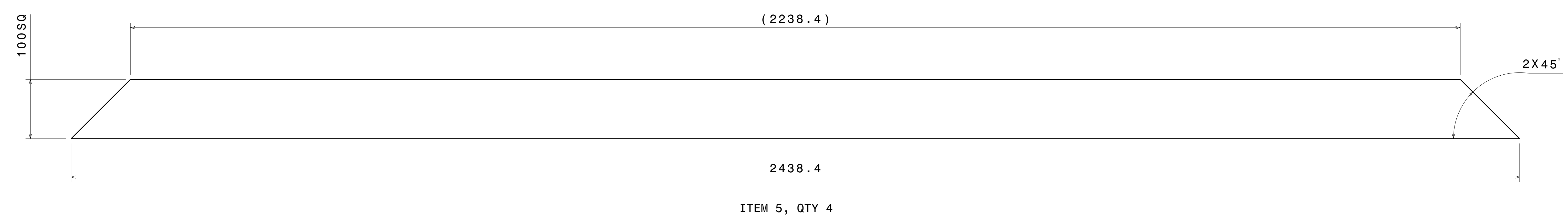
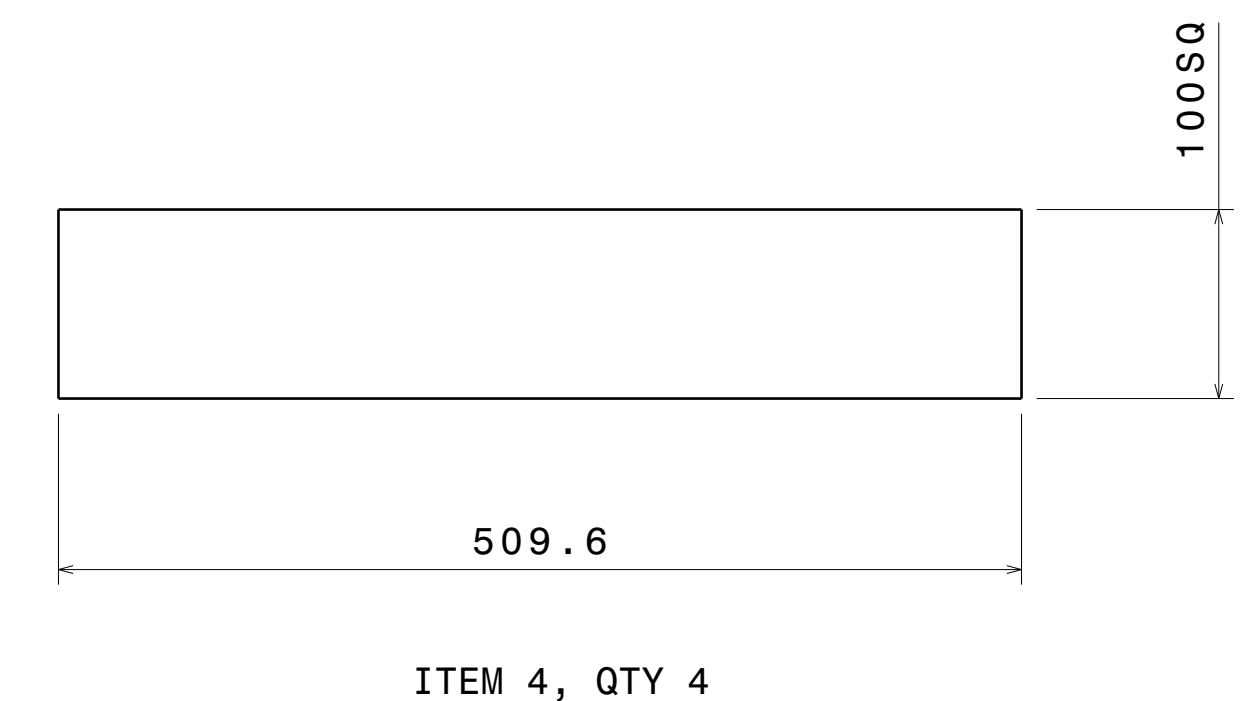
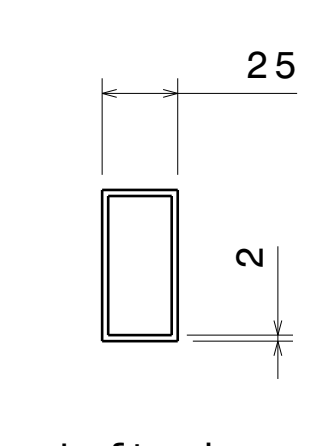
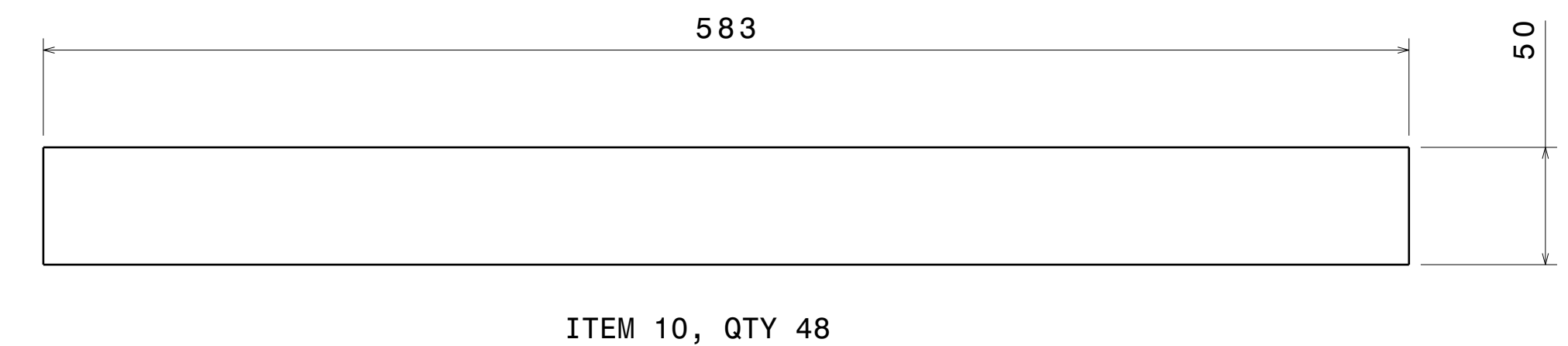
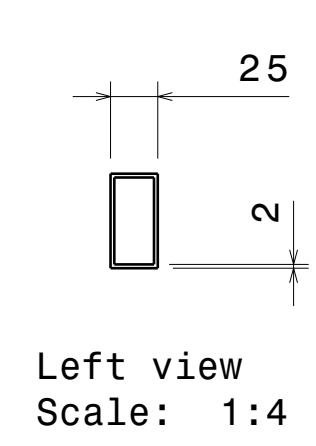
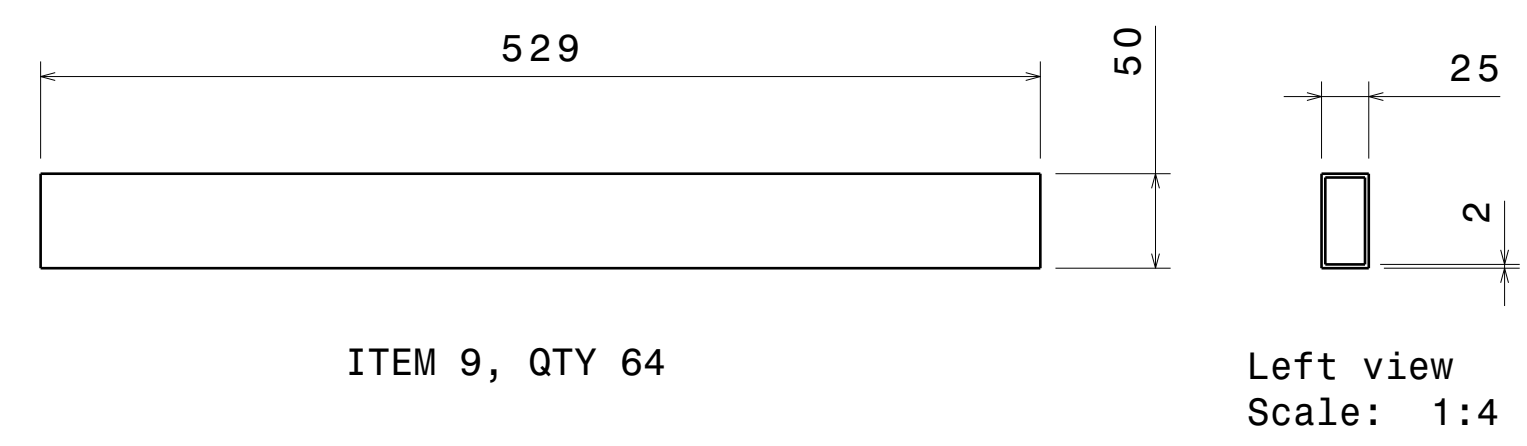
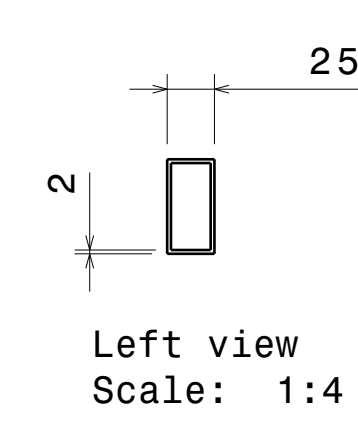
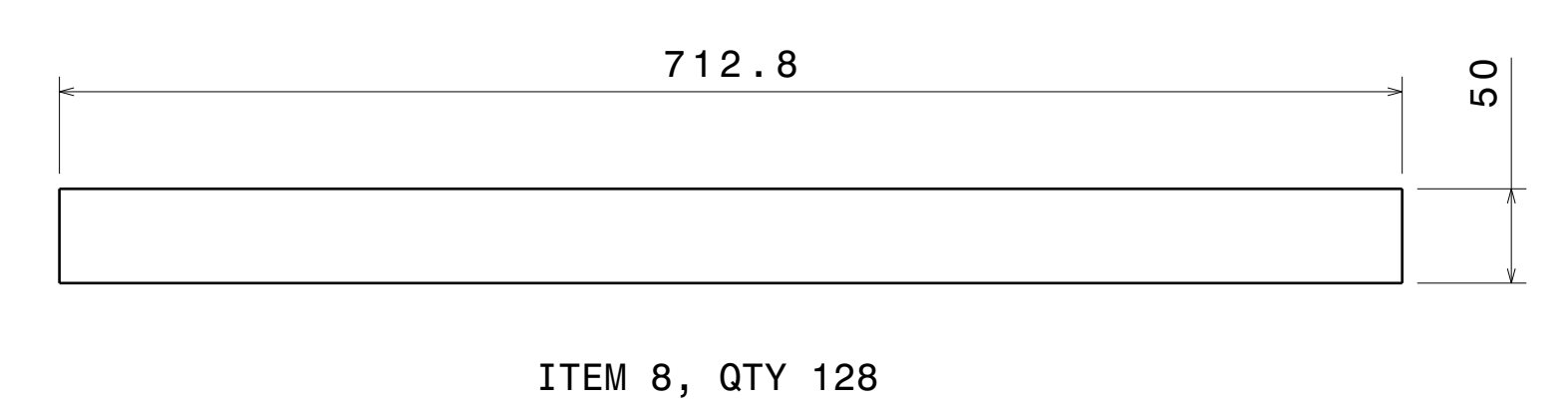
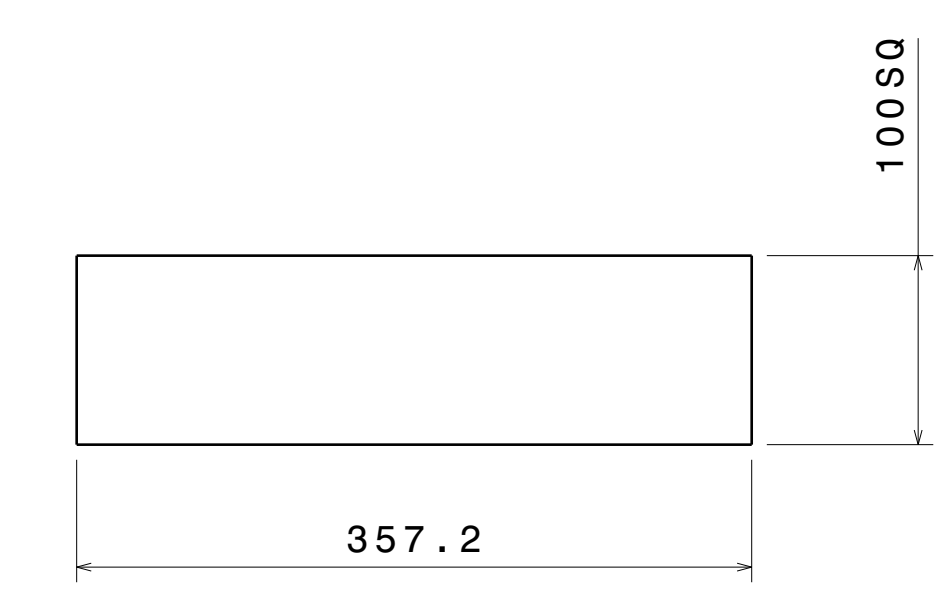
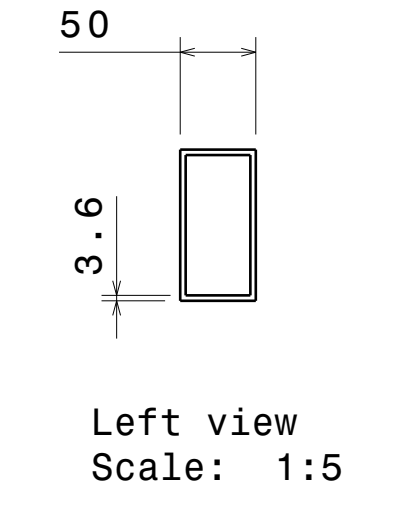
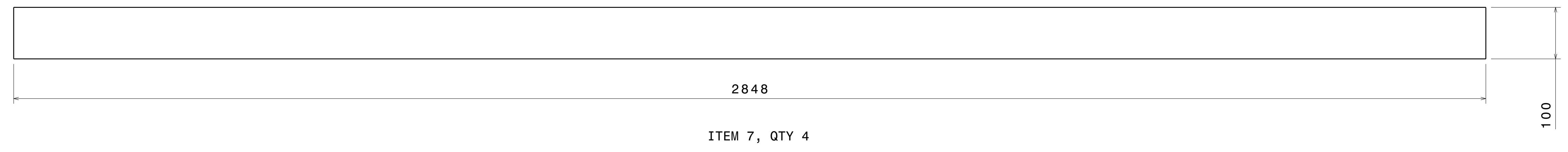
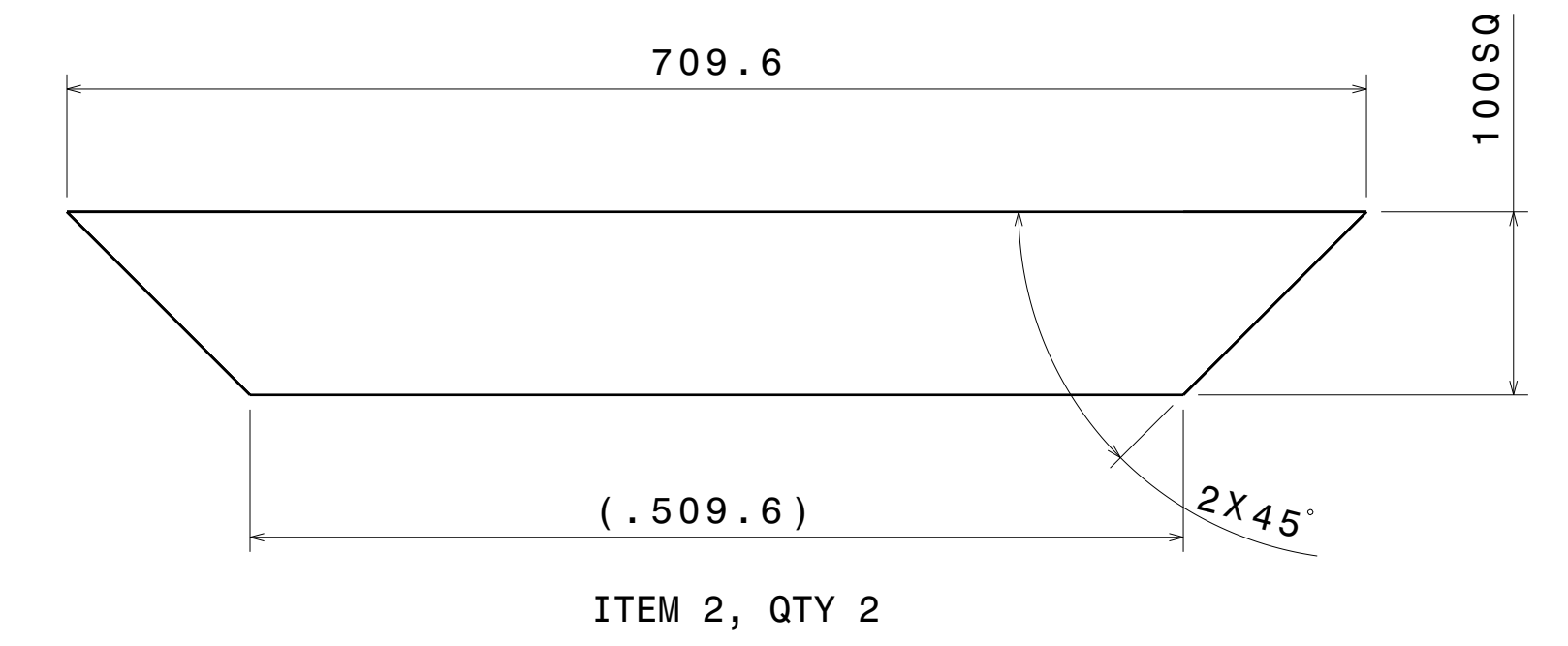
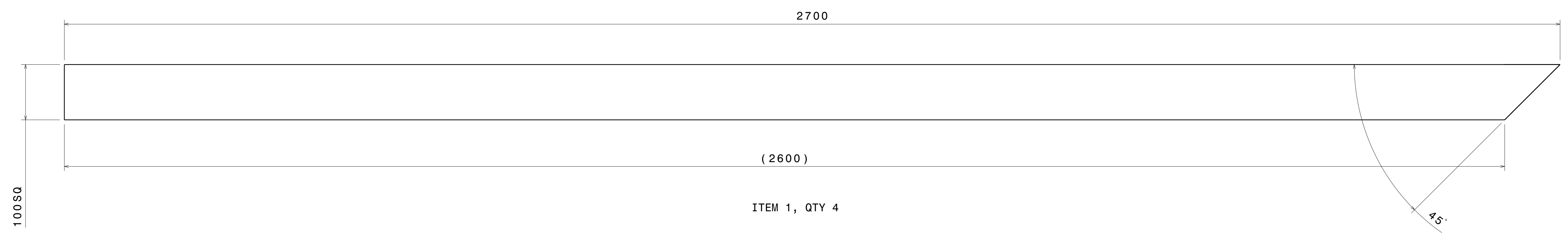


This drawing is our property. It can't be reproduced or communicated without our written agreement.

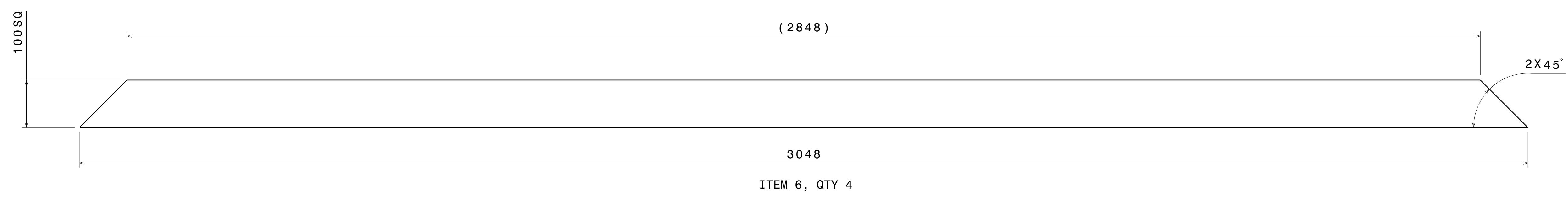
DRAWN BY	DATE
SB	1/28/2020
CHECKED BY	DATE
P2P Analysis & Solutions	1/28/2020
DESIGNED BY	DATE
P2P Analysis & Solutions	1/28/2020

APL APOLLO TUBES LTD. 	
DRAWING TITLE	
GATE 18	
SIZE	DRAWING NUMBER
A0	P2P APL_00018
SCALE	WEIGHT (kg)
1:1	XXX
SHEET	3
REV	00

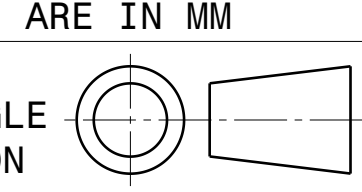
REV	DATE	DESCRIPTION
00	1/28/2020	INITIAL REVISION




THIS DIMENSIONS ARE SUBJECTED TO CHANGE AS PER AVAILABILITY OF STANDARD SET AVAILABLE IN MARKET



UNLESS OTHERWISE SPECIFIED DIMENSION ARE IN MM VIEWS: THIRD ANGLE PROJECTION



This drawing is our property. It can't be reproduced or communicated without our written agreement.		APL APOLLO TUBES LTD. 	
DRAWN BY SB		DRAWING TITLE GATE 18	
CHECKED BY P2P Analysis & Solutions		SIZE A0	
DESIGNED BY P2P Analysis & Solutions		DRAWING NUMBER P2P APL_00018	
DATE 1/28/2020		REV 00	
DATE 1/28/2020		SCALE 1:1	
DATE 1/28/2020		WEIGHT (kg) XXX	
DATE 1/28/2020		SHEET 4	