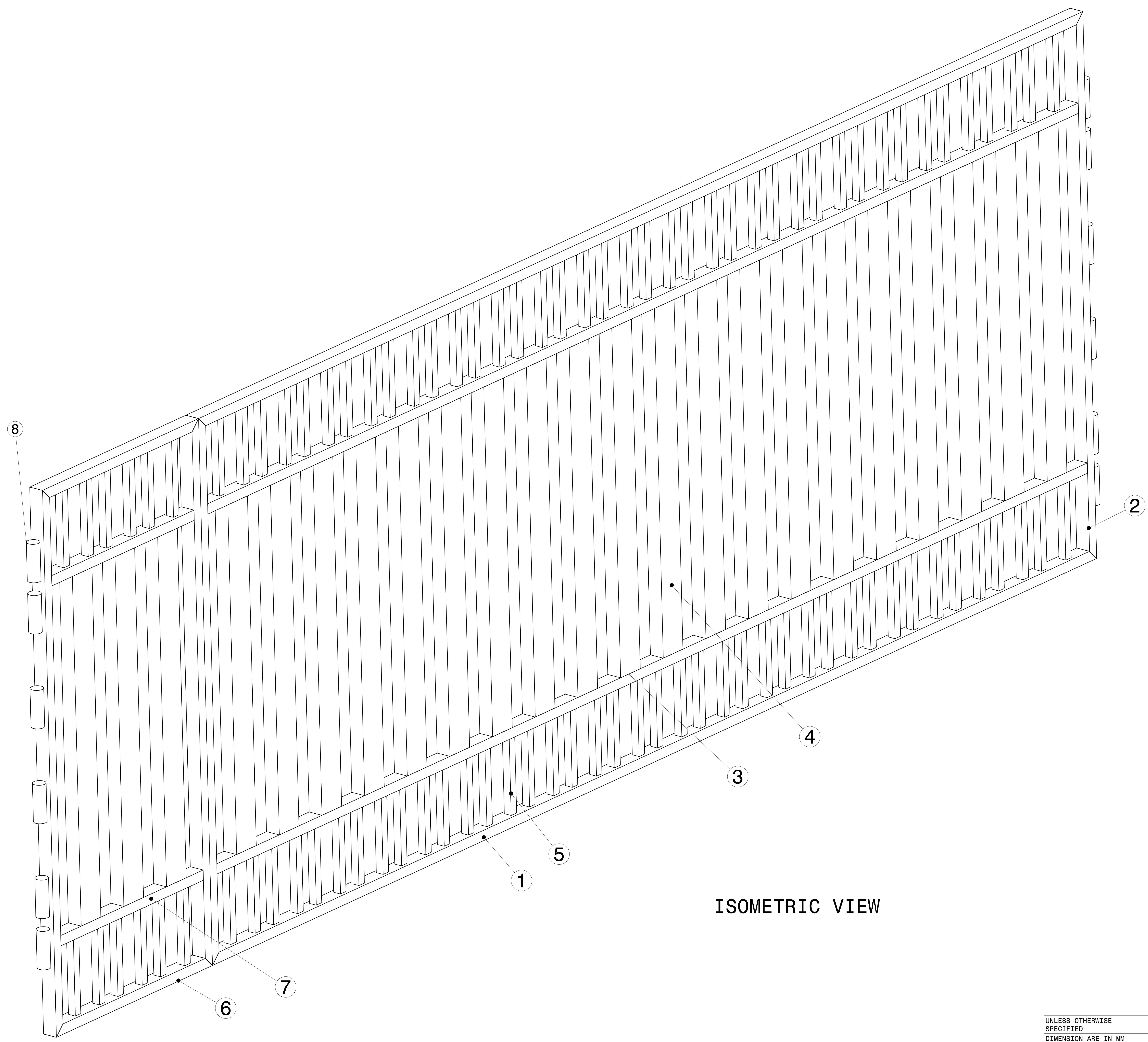


REV/DATE	DESCRIPTION
00 / 1/28/2020	INITIAL REVISION

- NOTES:
- (⊥) ALL VERTICAL SUPPORTS ARE PERPENDICULAR.
 - FLATNESS OF .5MM IS APPLIED BY DEFAULT.
 - ⊲ WELD BEAD OF 2MM RADIUS IS FOLLOWED.
 - ▽ SURFACE FINISH MEDIUM TO SMOOTH IS USED.
 - ALL TUBES ARE AS PER APL APOLLO STANDARD. CHANGES MAY EFFECT THE LOAD CAPACITY.
 - DUAL DIMENSIONS USED WITH BOTH METRIC AND INCH SYSTEM.
 - ALL HORIZONTAL AND VERTICAL TUBES ARE PERPENDICULAR TO EACH OTHER WITH ±1 DEG.
 - FINE WELDING IS REQUIRED AS PER MENTIONED DETAILS AND FINISHING.
 - HIGHER CURRENT WELDING MAY AFFECT THE BRITTLENESS OF MATERIAL WHICH LATER MAY RAISE TO WEAKENING OF STRUCTURE.



ISOMETRIC VIEW

ITEM NO.	PART NUMBER	DESCRIPTION	QTY.
8		HINGE	6
7		Rect Tube 17 Frame 6	2
6		Rect Tube 17 Frame 5	2
5		Sq tube 17 Frame 1	92
4		Rect Tube 17 Frame 4	23
3		Rect Tube 17 Frame 3	2
2		Rect Tube 17 Frame 2	4
1		Rect Tube 17 Frame 1	2

This drawing is our property. It can't be reproduced or communicated without our written agreement.

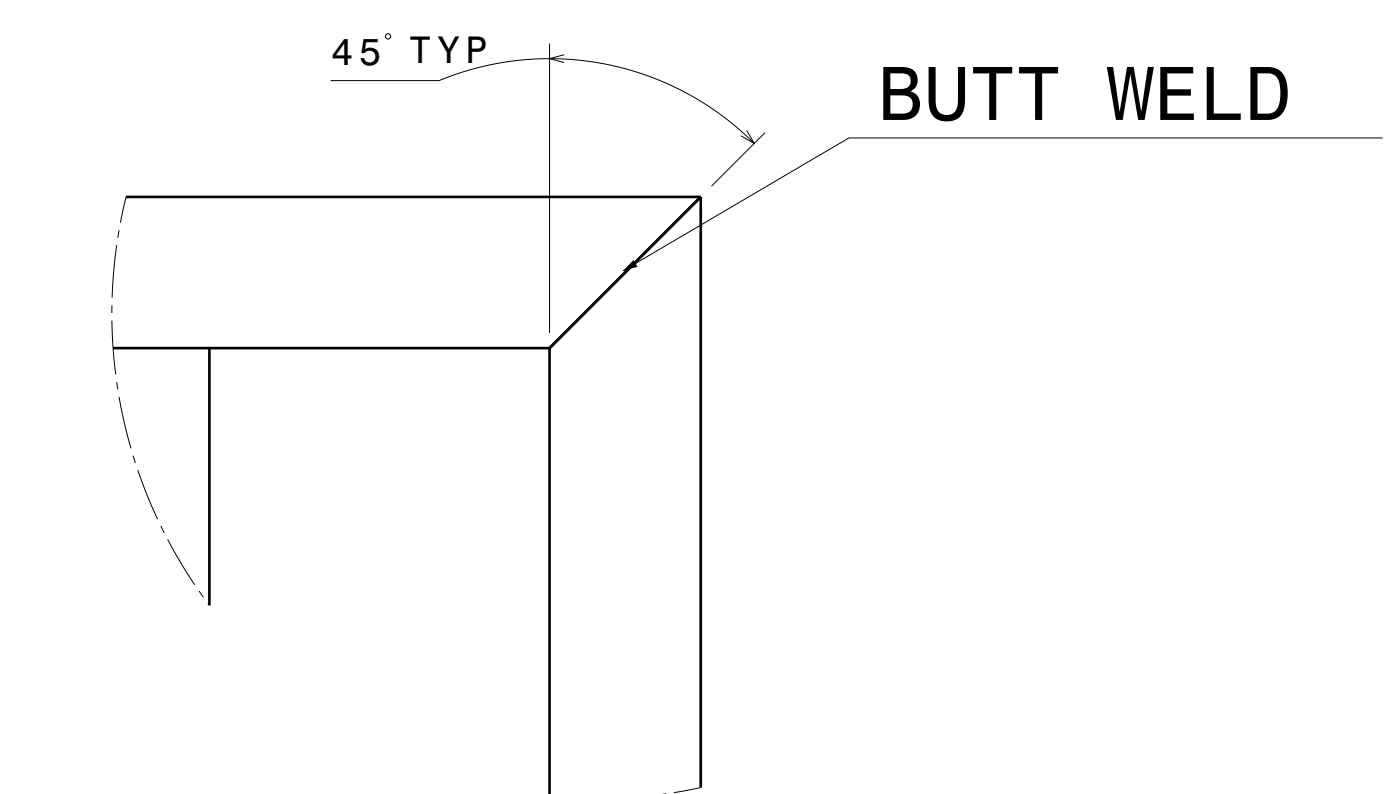
APL APOLLO TUBES LTD.

DRAWING TITLE: **GATE 17**

DRAWN BY: SB	DATE: 1/28/2020	SIZE: A0	DRAWING NUMBER: P2P APL 00017	REV: 00
CHECKED BY: P2P Analysis & Solutions	DATE: 1/28/2020	SCALE: NONE	WEIGHT (kg): 520	SHEET: 1
DESIGNED BY: P2P Analysis & Solutions	DATE: 1/28/2020			

UNLESS OTHERWISE SPECIFIED DIMENSION ARE IN MM
 VIEWS: THIRD ANGLE PROJECTION

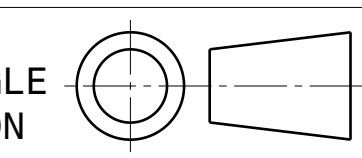
REV	DATE	DESCRIPTION
00	1/28/2020	INITIAL REVISION




Detail A
Scale: 1:2

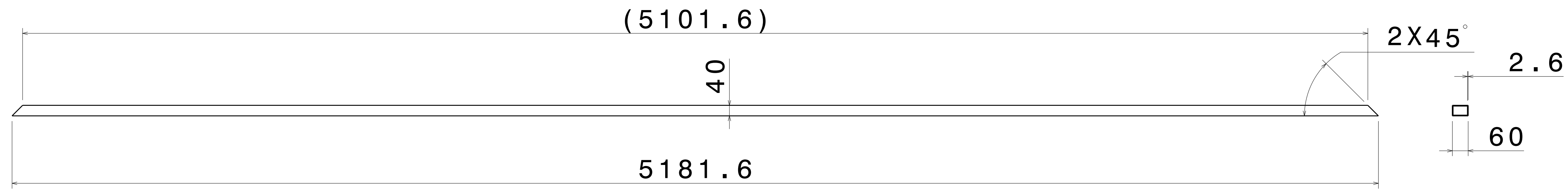
Front view
Scale: 3:20

UNLESS OTHERWISE SPECIFIED DIMENSION ARE IN MM
VIEWS: THIRD ANGLE PROJECTION

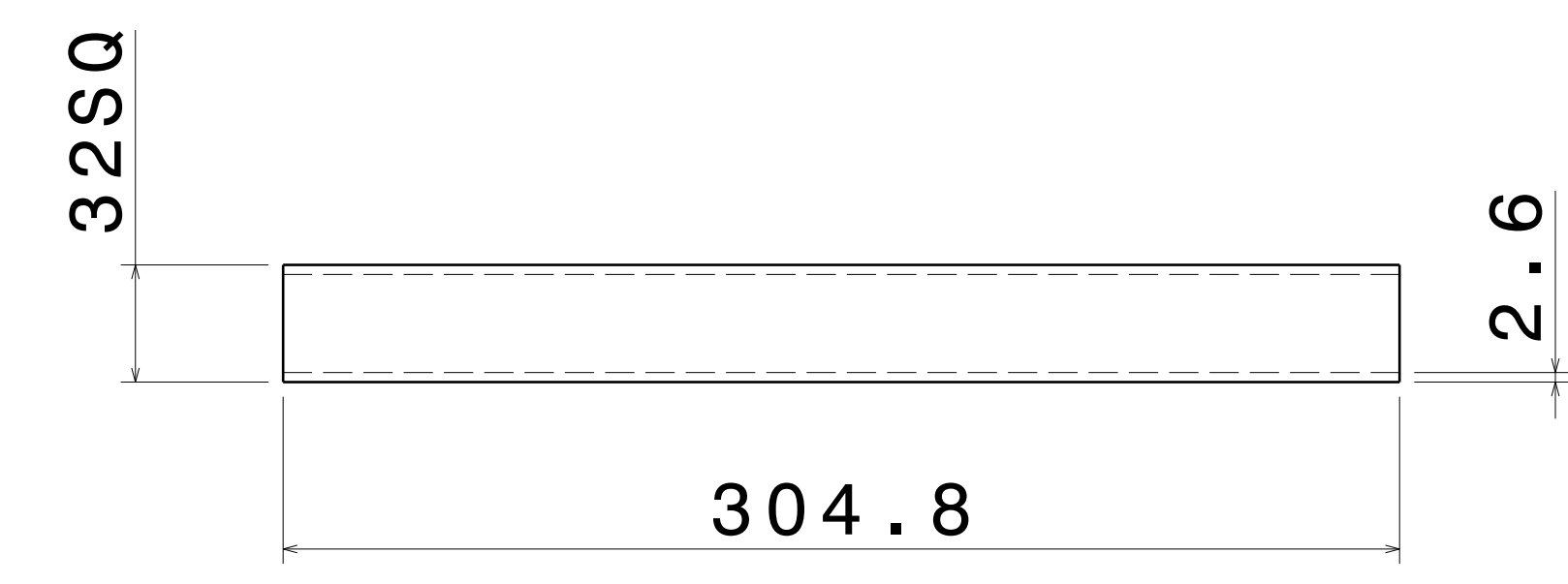


This drawing is our property. It can't be reproduced or communicated without our written agreement.		APL APOLLO TUBES LTD. 	
DRAWN BY: SB		DRAWING TITLE: GATE 17	
CHECKED BY: P2P Analysis & Solutions		SIZE: A0	
DESIGNED BY: P2P Analysis & Solutions		DRAWING NUMBER: P2P APL_00017	
DATE: 1/28/2020	DATE: 1/28/2020	SCALE: NONE	WEIGHT (kg): XXX
DATE: 1/28/2020	DATE: 1/28/2020	SHEET 2	

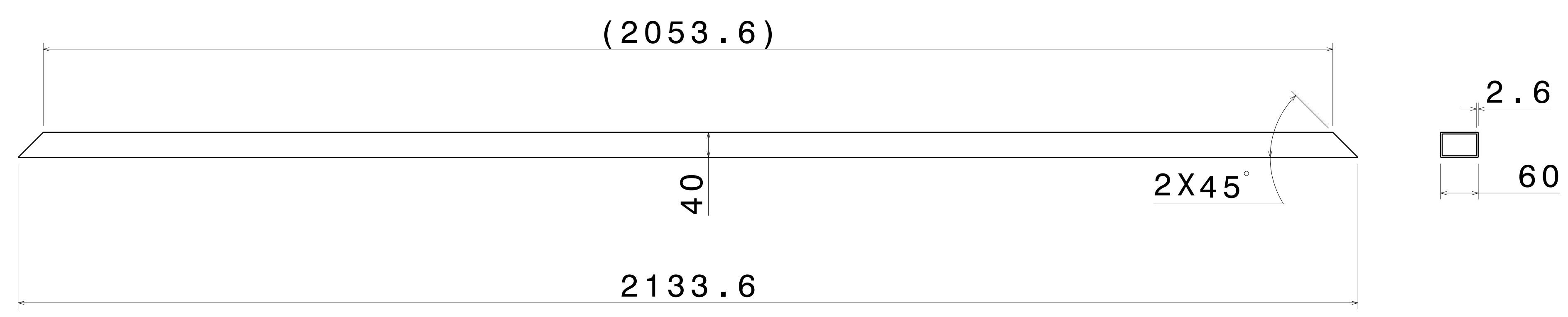
REV	DATE	DESCRIPTION
00	1/28/2020	INITIAL REVISION



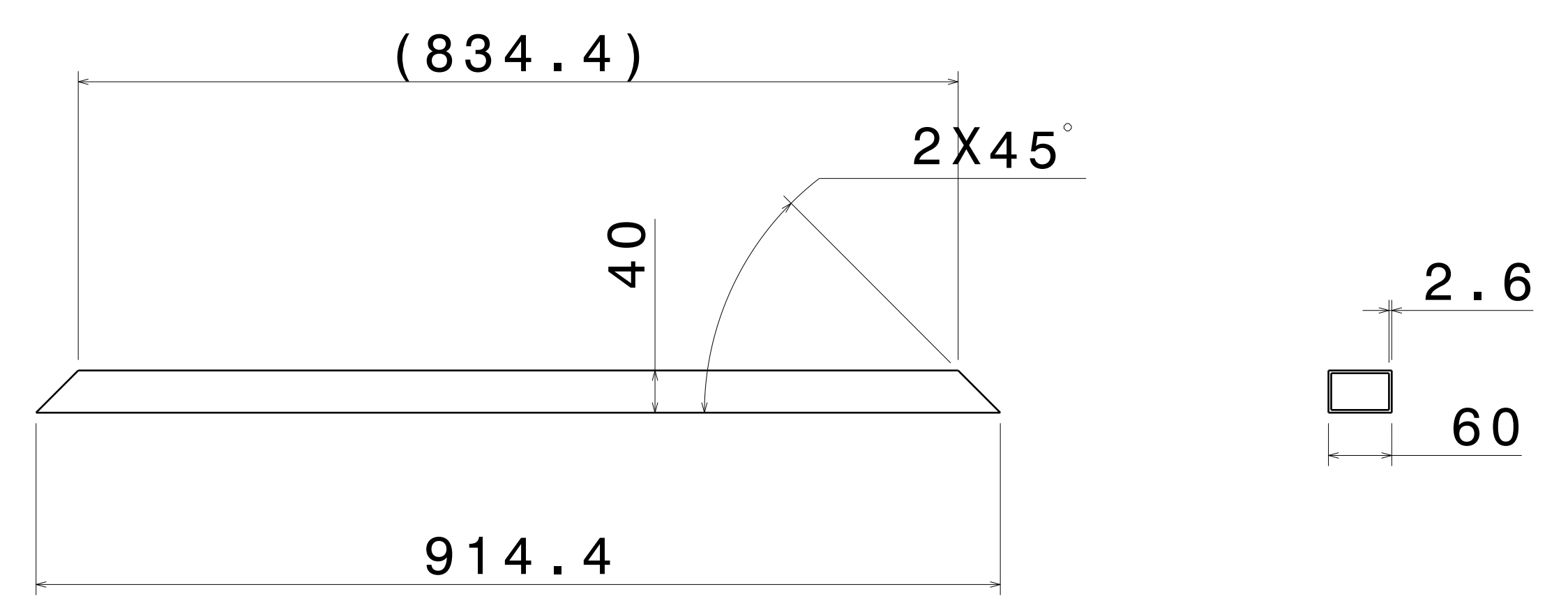
ITEM 1, QTY 2
SIZE: 60 X 40 X 2.6 X 5181.6



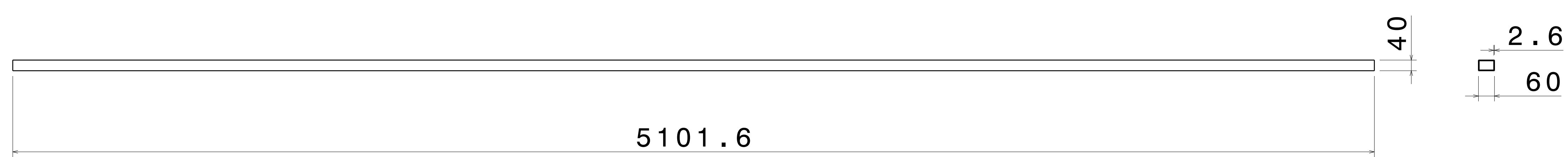
ITEM 5, QTY 92
SIZE: 32 X 32 X 2.6 X 304.8



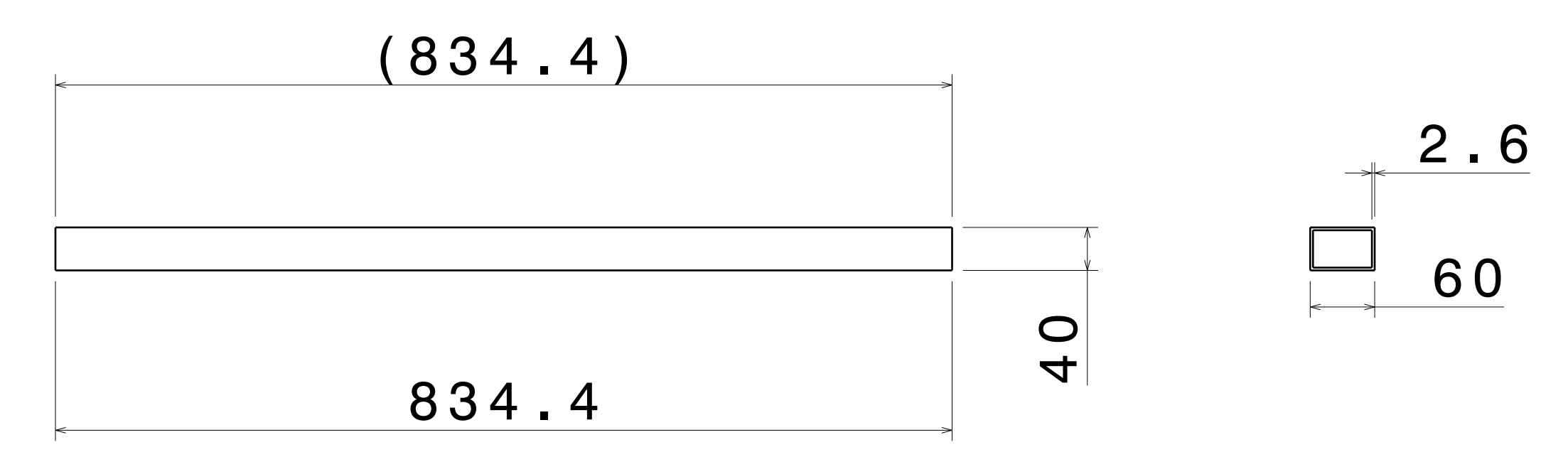
ITEM 2, QTY 4
SIZE: 60 X 40 X 2.6 X 2133.6



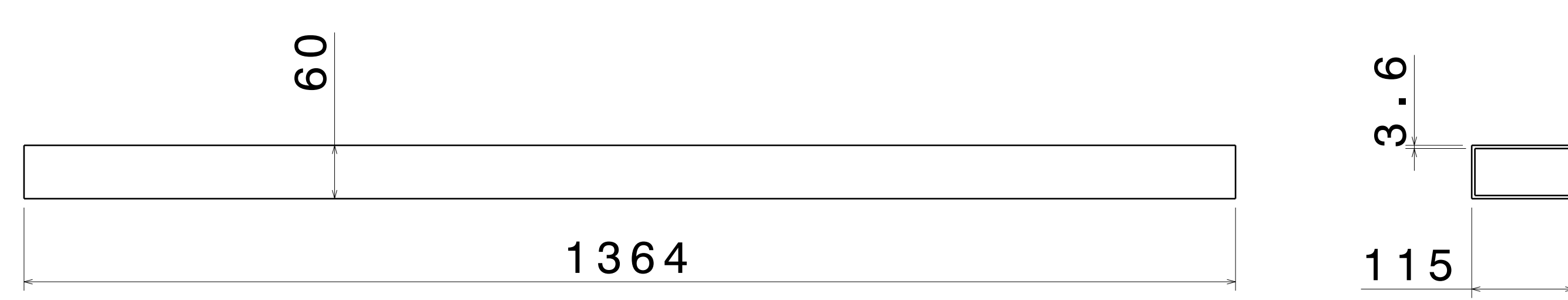
ITEM 6, QTY 8
SIZE: 60 X 40 X 2.6 X 914.4



ITEM 3, QTY 2
SIZE: 60 X 40 X 2.6 X 5101.6



ITEM 7, QTY 2
SIZE: 60 X 40 X 2.6 X 834.4



ITEM 4, QTY 23
SIZE: 115 X 60 X 43.6 X 1364

UNLESS OTHERWISE SPECIFIED DIMENSION ARE IN MM
VIEWS: THIRD ANGLE PROJECTION

This drawing is our property. It can't be reproduced or communicated without our written agreement.		APL APOLLO TUBES LTD.	
DRAWN BY: SB		DRAWING TITLE: GATE 17	
CHECKED BY: P2P Analysis & Solutions		SIZE: A0	
DESIGNED BY: P2P Analysis & Solutions		DRAWING NUMBER: P2P_APL_00017	
DATE: 1/28/2020		REV: 00	
DATE: 1/28/2020		SCALE: NONE	
DATE: 1/28/2020		WEIGHT (kg): XXX	
DATE: 1/28/2020		SHEET: 3	