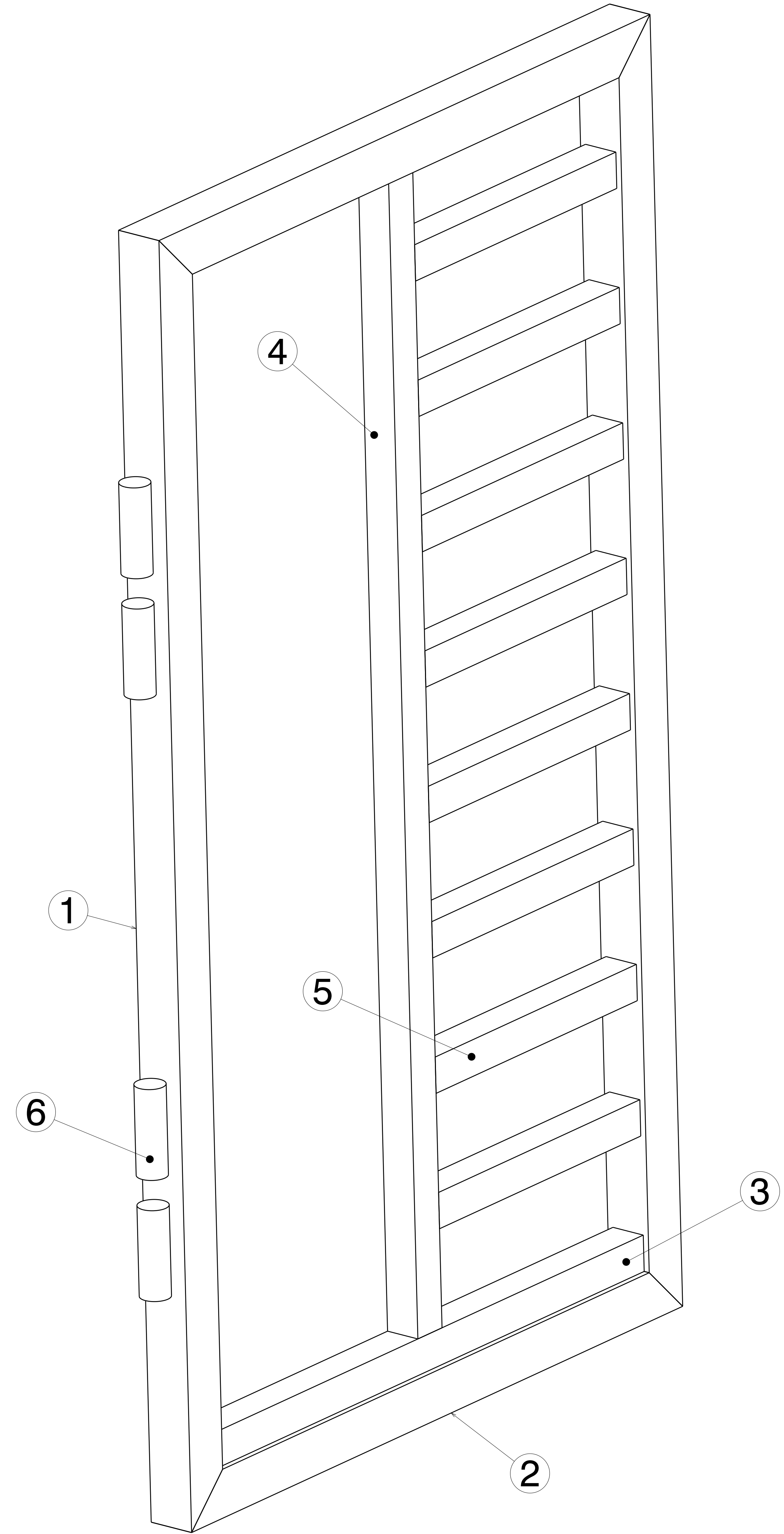


REV	DATE	DESCRIPTION
00	1/28/2020	INITIAL REVISION


NOTES:

1. (⊥) ALL VERTICAL SUPPORTS ARE PERPENDICULAR.
2. □ FLATNESS OF .5MM IS APPLIED BY DEFAULT.
3. ⚡ WELD BEAD OF 2MM RADIUS IS FOLLOWED.
4. ∇ SURFACE FINISH MEDIUM TO SMOOTH IS USED.
5. ALL TUBES ARE AS PER APL APOLLO STANDARD. CHANGES MAY EFFECT THE LOAD CAPACITY.
6. DUAL DIMENSIONS USED WITH BOTH METRIC AND INCH SYSTEM.
7. ALL HORIZONTAL AND VERTICAL TUBES ARE PERPENDICULAR TO EACH OTHER WITH ±1 DEG.
8. FINE WELDING IS REQUIRED AS PER MENTIONED DETAILS AND FINISHING.
9. HIGHER CURRENT WELDING MAY AFFECT THE BRITTLNESS OF MATERIAL WHICH LATER MAY RAISE TO WEAKENING OF STRUCTURE.

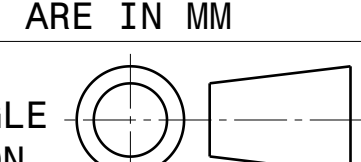


ISOMETRIC VIEW

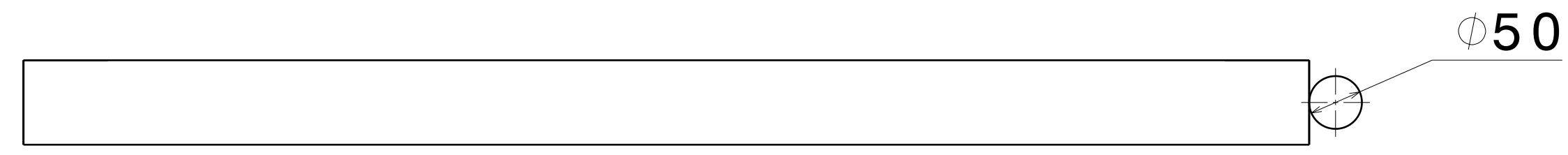
ITEM NO.	PART NUMBER	DESCRIPTION	QTY.
6		HINGE	4
5		Sq Tube 15.2 Frame 5	8
4		Sq Tube 15.2 Frame 4	1
3		Sq Tube 15.2 Frame 3	1
2		Sq Tube 15.2 Frame 2	2
1		Sq Tube 15.2 Frame 1	2

This drawing is our property. It can't be reproduced or communicated without our written agreement.		APL APOLLO TUBES LTD. 	
DRAWN BY		DATE	
SB		1/28/2020	
CHECKED BY		DATE	
P2P Analysis & Solutions		1/28/2020	
DESIGNED BY		DATE	
P2P Analysis & Solutions		1/28/2020	
DRAWING TITLE		REV	
GATE 15 DESIGN 2		00	
SIZE	DRAWING NUMBER	REV	
A0	P2P_APL_00015_02	00	
SCALE	WEIGHT (kg)	SHEET	
NONE	120	1	

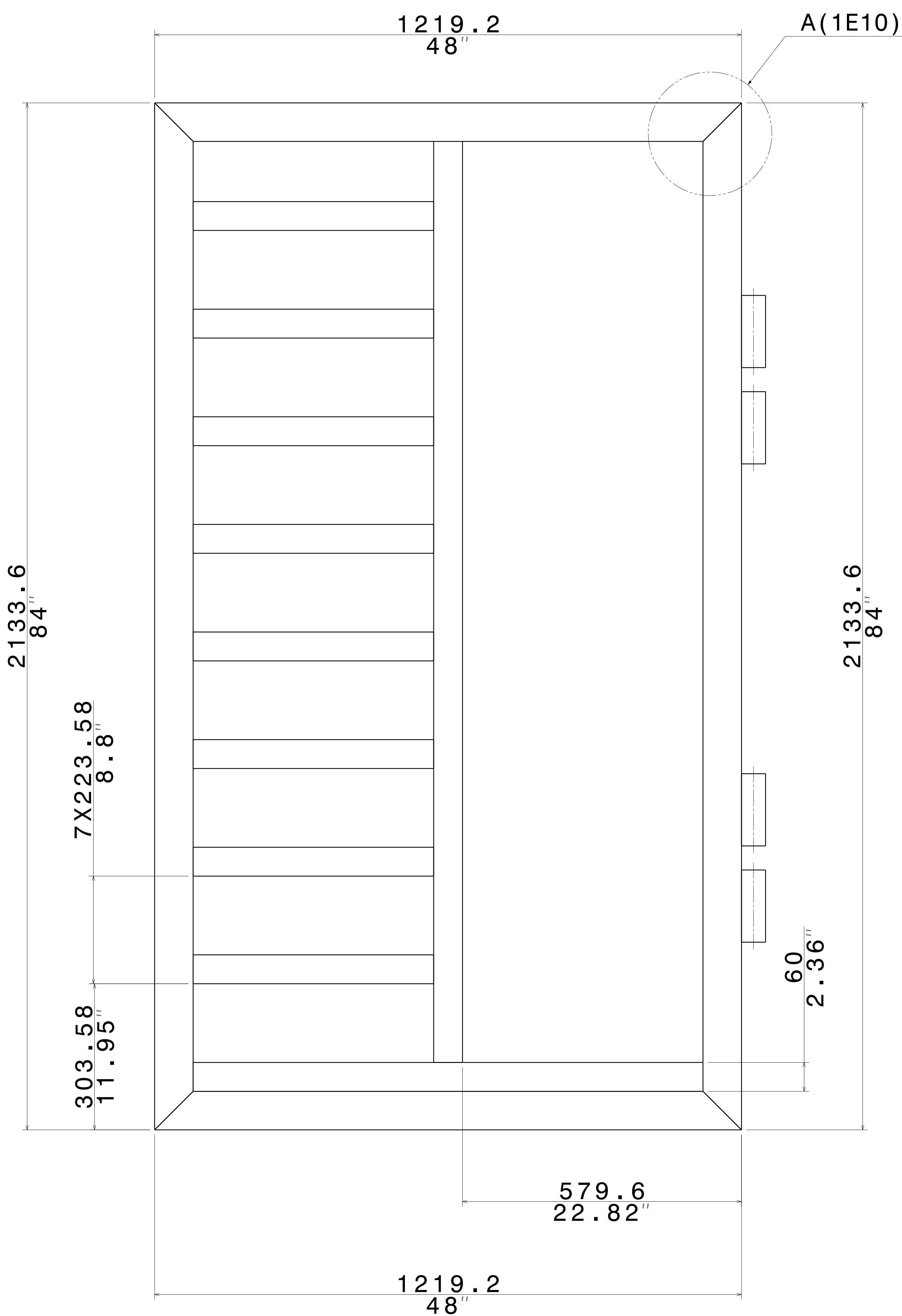
UNLESS OTHERWISE SPECIFIED DIMENSION ARE IN MM
 VIEWS: THIRD ANGLE PROJECTION



REV	DATE	DESCRIPTION
00	1/28/2020	INITIAL REVISION



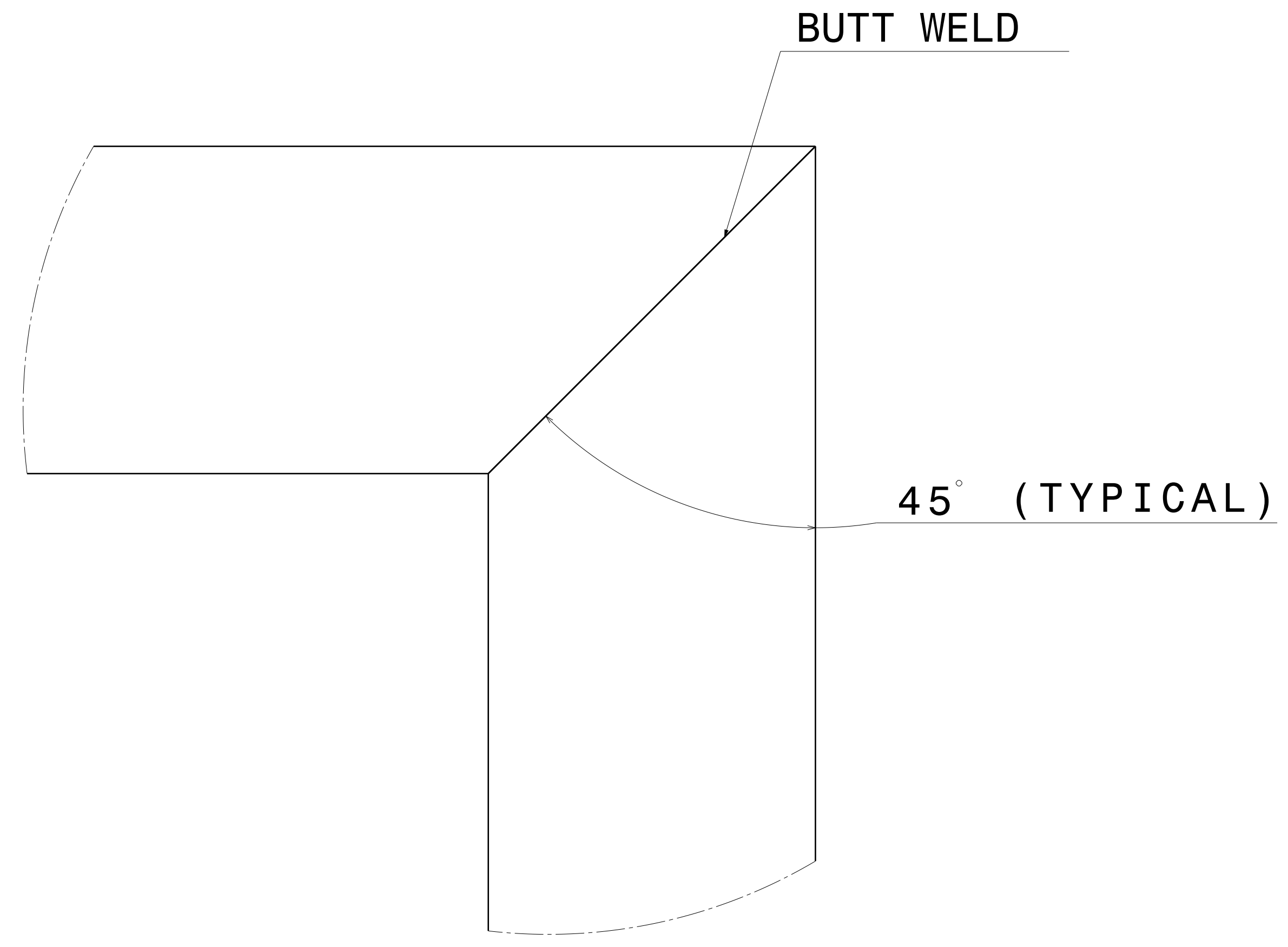
Bottom view
Scale: 1:5



Front view
Scale: 1:5

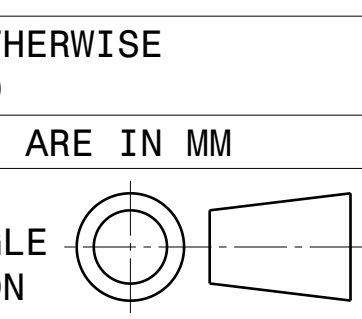


Right view
Scale: 1:5



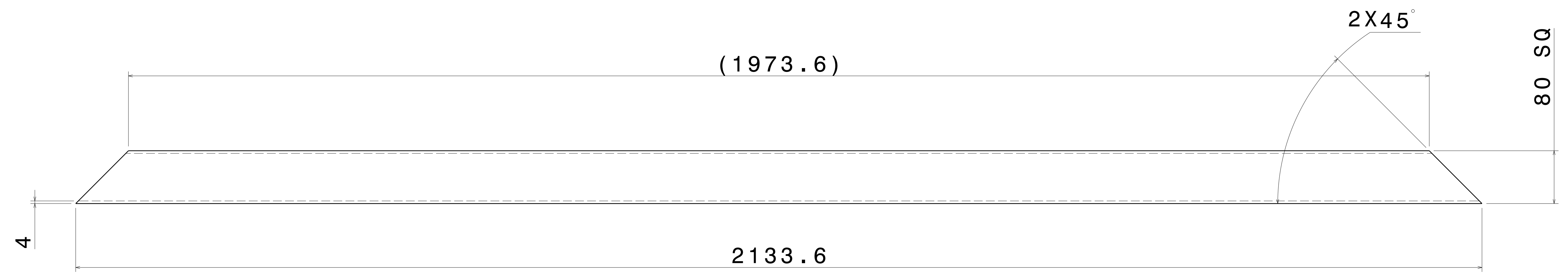
Detail A(1I13)
Scale: 1:1

UNLESS OTHERWISE SPECIFIED DIMENSION ARE IN MM
VIEWS: THIRD ANGLE PROJECTION

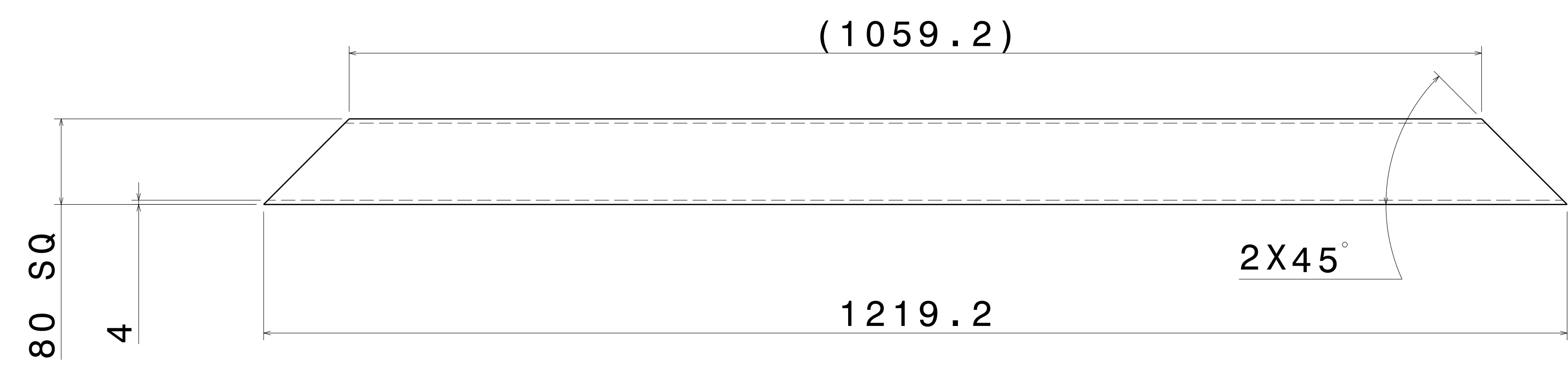


This drawing is our property. It can't be reproduced or communicated without our written agreement.		APL APOLLO TUBES LTD.	
DRAWN BY: SB		DATE: 1/28/2020	
CHECKED BY: P2P Analysis & Solutions		DATE: 1/28/2020	
DESIGNED BY: P2P Analysis & Solutions		DATE: 1/28/2020	
DRAWING TITLE: GATE 15 DESIGN		SIZE: A0	DRAWING NUMBER: P2P_APL_00015_02
SCALE: NONE	WEIGHT (kg): XXX	SHEET: 2	REV: 00

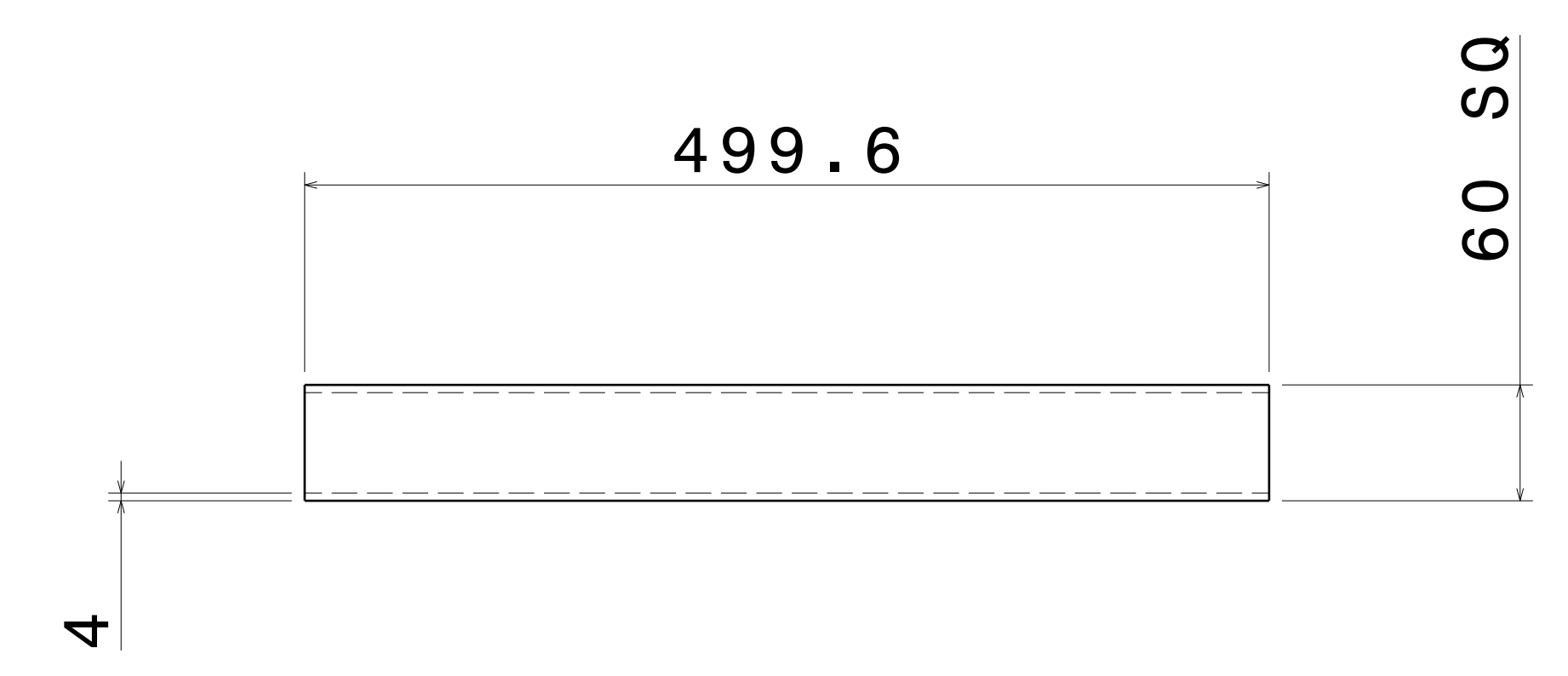
REV	DATE	DESCRIPTION
00	1/28/2020	INITIAL REVISION



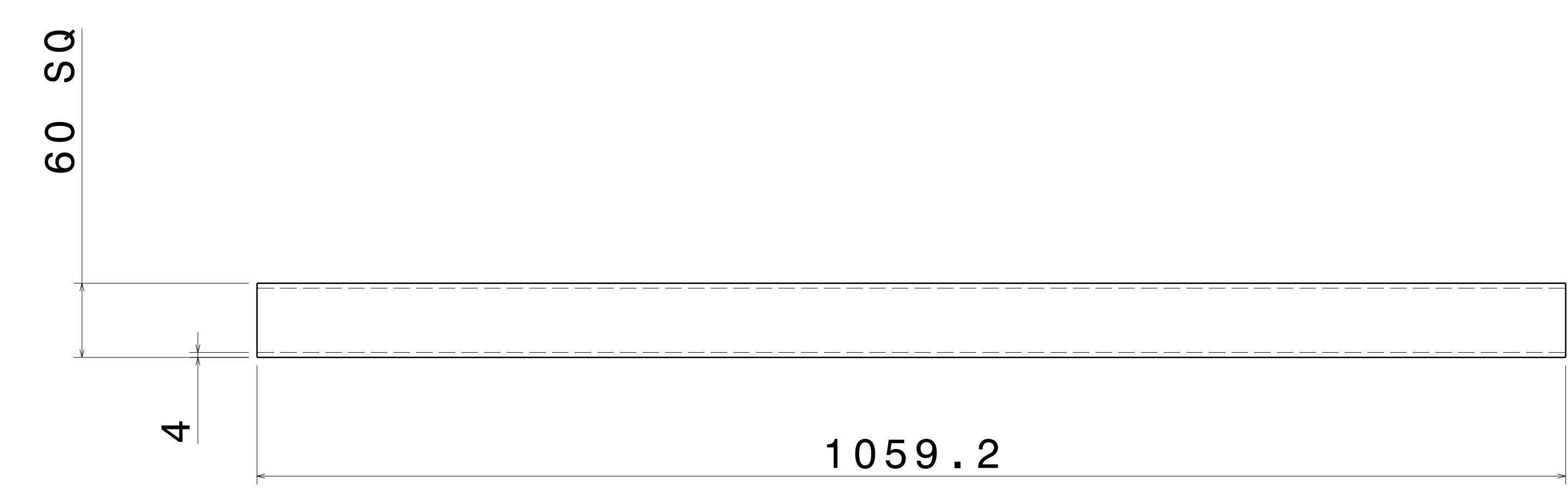
ITEM 1, QTY 2
SIZE: 80 X 80 X 4 X 2133.6



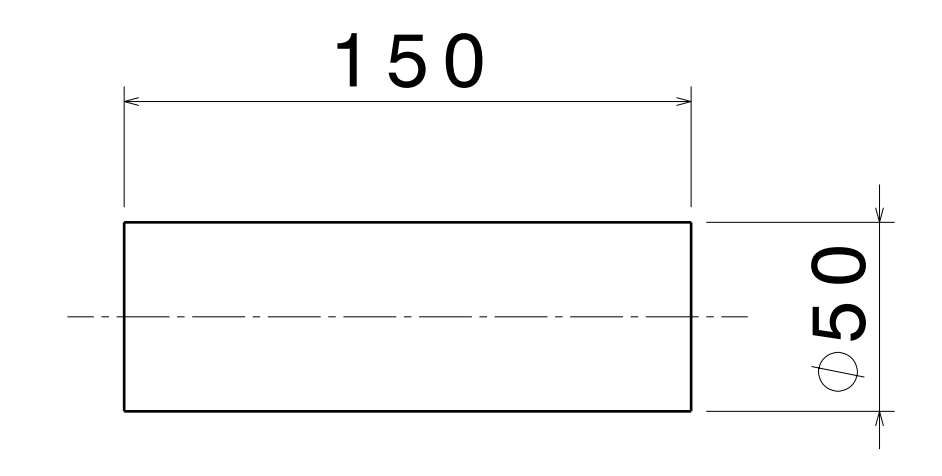
ITEM 2, QTY 2
SIZE: 80 X 80 X 4 X 1219.2



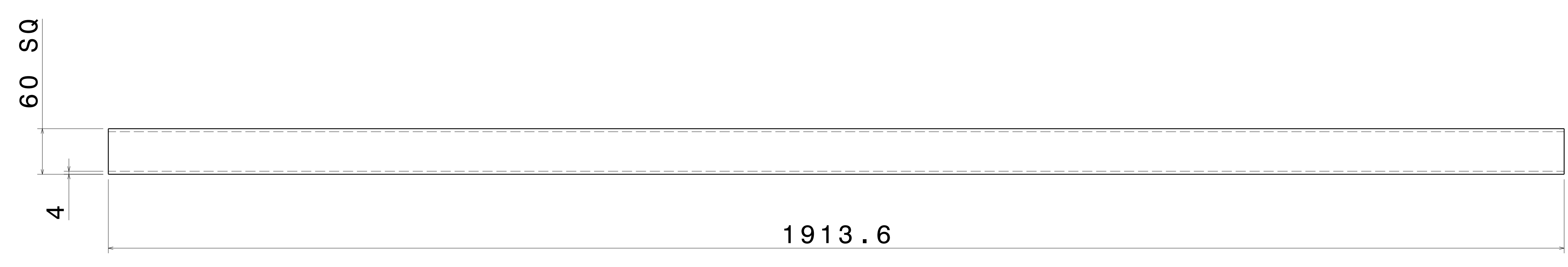
ITEM 5, QTY 8
SIZE: 60 X 60 X 4 X 499.6



ITEM 3, QTY 1
SIZE: 60 X 60 X 4 X 1059.2



ITEM 6, HINGE



ITEM 5, QTY 1
SIZE: 80 X 80 X 4 X 1261.2

UNLESS OTHERWISE SPECIFIED DIMENSION ARE IN MM
VIEWS: THIRD ANGLE PROJECTION

This drawing is our property. It can't be reproduced or communicated without our written agreement.		APL APOLLO TUBES LTD.	
DRAWN BY SB		DATE 1/28/2020	
CHECKED BY P2P Analysis & Solutions		DATE 1/28/2020	
DESIGNED BY P2P Analysis & Solutions		DATE 1/28/2020	
DRAWING TITLE GATE 15 DESIGN 2		SIZE A0	DRAWING NUMBER P2P_APL_00015_02
SCALE NONE		WEIGHT (kg) XXX	REV 00
SHEET 3		SHEET 3	