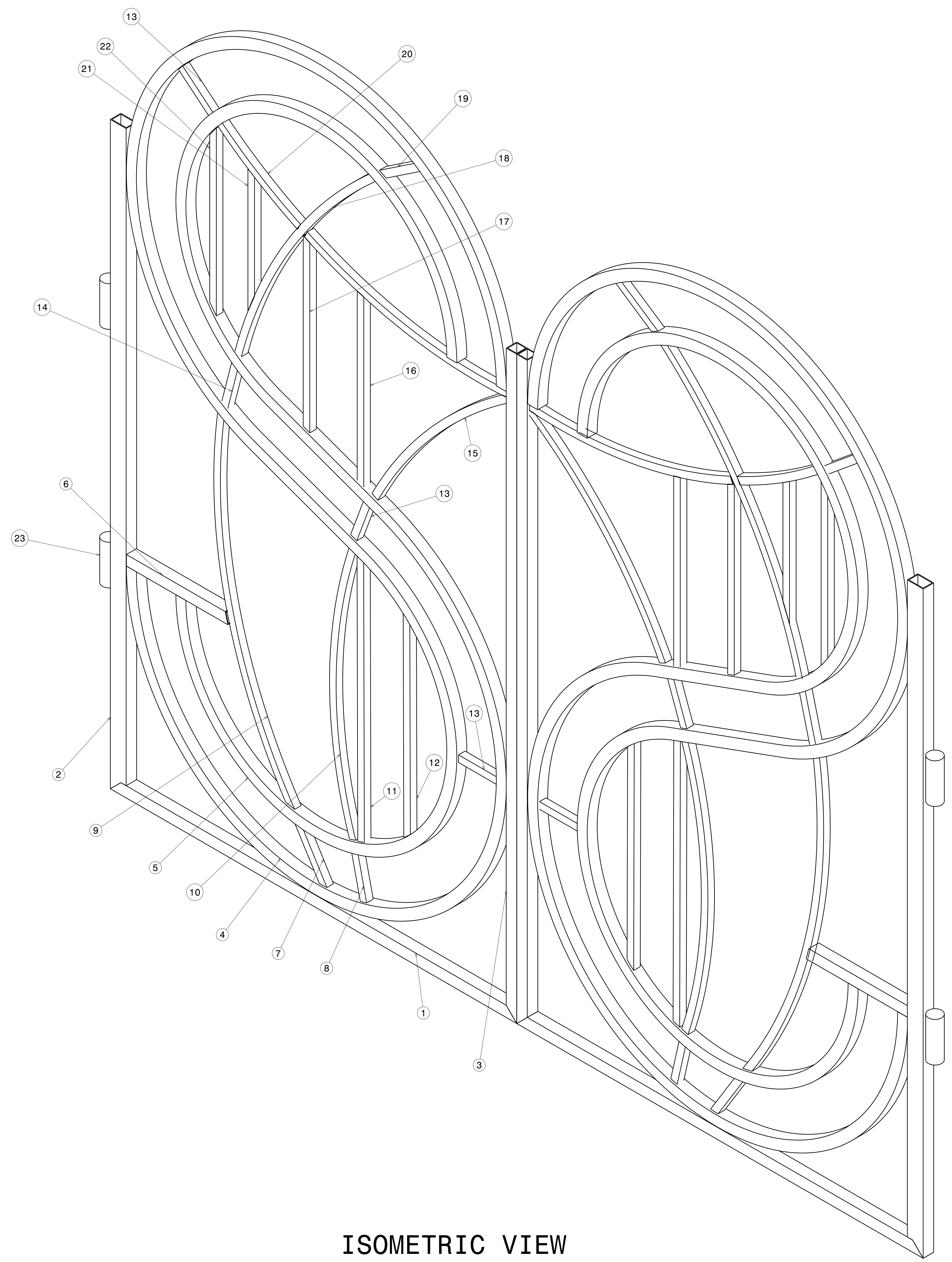


REV/DATE	DESCRIPTION
A / 2/27/2020	INITIAL REVISION

- NOTES:
- (⊥) ALL VERTICAL SUPPORTS ARE PERPENDICULAR.
 - FLATNESS OF .5MM IS APPLIED BY DEFAULT.
 - ⊥ WELD BEAD OF 2MM RADIUS IS FOLLOWED.
 - SURFACE FINISH MEDIUM TO SMOOTH IS USED.
 - ALL TUBES ARE AS PER APL APOLLO STANDARD. CHANGES MAY EFFECT THE LOAD CAPACITY.
 - DUAL DIMENSIONS USED WITH BOTH METRIC AND INCH SYSTEM.
 - ALL HORIZONTAL AND VERTICAL TUBES ARE PERPENDICULAR TO EACH OTHER WITH ±1 DEG.
 - FINE WELDING IS REQUIRED AS PER MENTIONED DETAILS AND FINISHING.
 - HIGHER CURRENT WELDING MAY AFFECT THE BRITTLENESS OF MATERIAL WHICH LATER MAY RAISE TO WEAKENING OF STRUCTURE.



ISOMETRIC VIEW

ITEM NO.	PART NUMBER	DESCRIPTION	QTY.
23	HINGE	SEE DETAILS	2
22	Square tube 37 Frame 21	25 X 25 X 1.6 X SEE DETAILS	2
21	Square tube 37 Frame 20	25 X 25 X 1.6 X SEE DETAILS	2
20	Square tube 37 Frame 19	25 X 25 X 1.6 X SEE DETAILS	2
19	Square tube 37 Frame 18	25 X 25 X 1.6 X SEE DETAILS	2
18	Square tube 37 Frame 17	25 X 25 X 1.6 X SEE DETAILS	2
17	Square tube 37 Frame 16	25 X 25 X 1.6 X SEE DETAILS	2
16	Square tube 37 Frame 15	25 X 25 X 1.6 X SEE DETAILS	2
15	Square tube 37 Frame 14	25 X 25 X 1.6 X SEE DETAILS	2
14	Square tube 37 Frame 13	25 X 25 X 1.6 X SEE DETAILS	2
13	Square tube 37 Frame 12	25 X 25 X 1.6 X 150	6
12	Square tube 37 Frame 11	25 X 25 X 1.6 X SEE DETAILS	2
11	Square tube 37 Frame 10	25 X 25 X 1.6 X SEE DETAILS	2
10	Square tube 37 Frame 9 CURVED	25 X 25 X 1.6 X SEE DETAILS	2
9	Square tube 37 Frame 8 CURVED	25 X 25 X 1.6 X SEE DETAILS	2
8	Square tube 37 Frame 7	25 X 25 X 1.6 X SEE DETAILS	2
7	Square tube 37 Frame 6	25 X 25 X 1.6 X 200	8
6	Square tube 37 Frame 5	38 X 38 X 2 X 386	2
5	Square tube 37 Frame 4	38 X 38 X 2 X SEE DETAILS	2
4	Square tube 37 Frame 3	38 X 38 X 2 X SEE DETAILS	2
3	Square Tube 37 Frame 2	40 X 40 X 2.9 X 2200	2
2	Rectangle tube 37 Frame 1	60 X 40 X 2.9 X 2200	2
1	Square tube 37 Frame 1	40 X 40 X 2.9 X 1544	2

This drawing is our property. It can't be reproduced or communicated without our written agreement.

APL APOLLO TUBES LTD.

DRAWING TITLE: GATE 37

SIZE: A0 DRAWING NUMBER: P2P APL 00037 REV: 00

SCALE: NONE WEIGHT (kg): 135 SHEET: 1

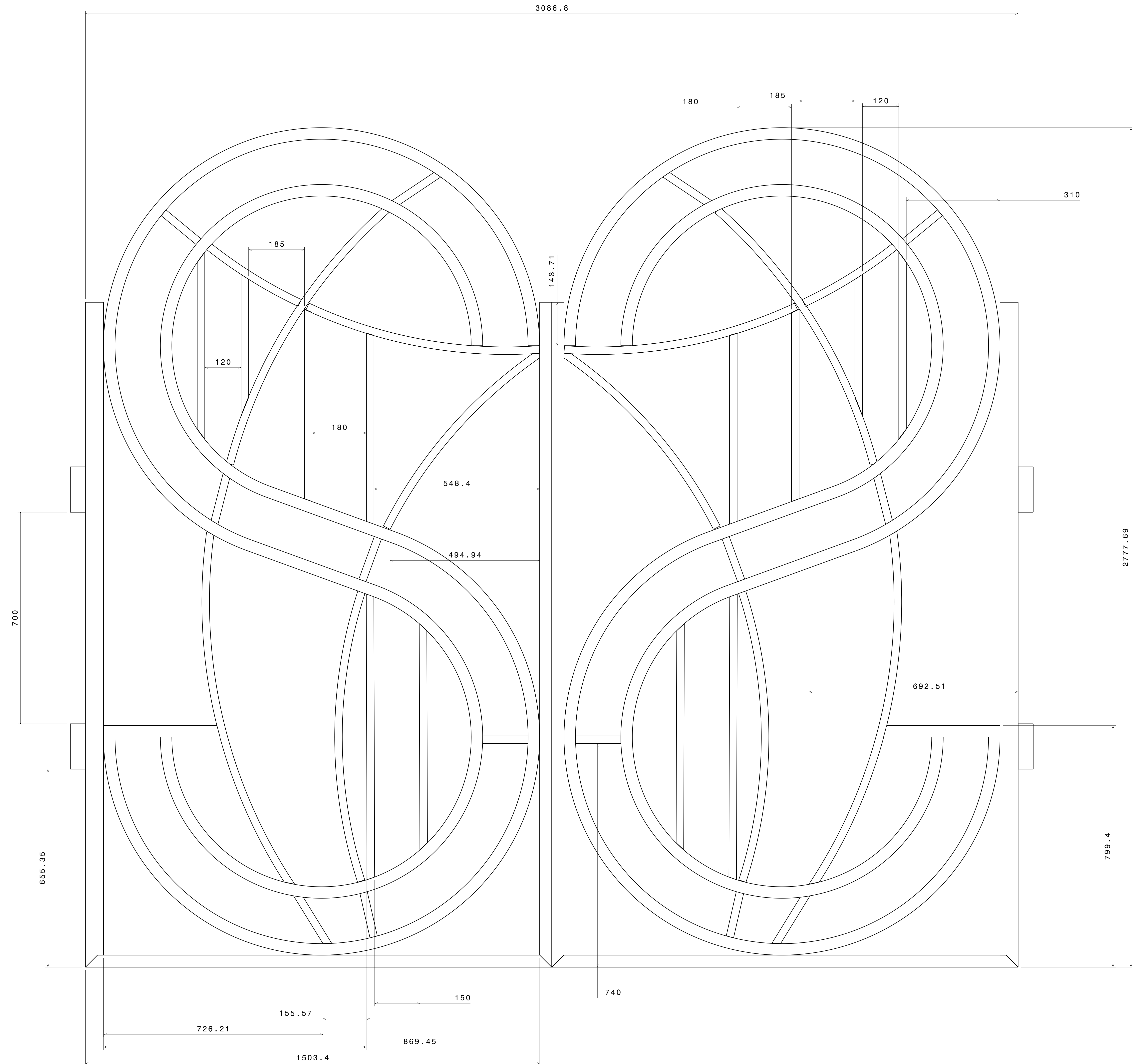
DESIGNED BY: P2P Analysis & Solutions DATE: 2/27/2020

CHECKED BY: P2P Analysis & Solutions DATE: 2/27/2020

DRAWN BY: SB DATE: 2/27/2020


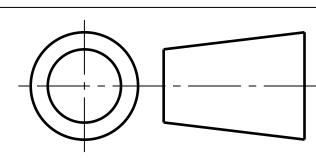
UNLESS OTHERWISE SPECIFIED DIMENSION ARE IN MM VIEWS: THIRD ANGLE PROJECTION

REV	DATE	DESCRIPTION
00	2/27/2020	INITIAL REVISION

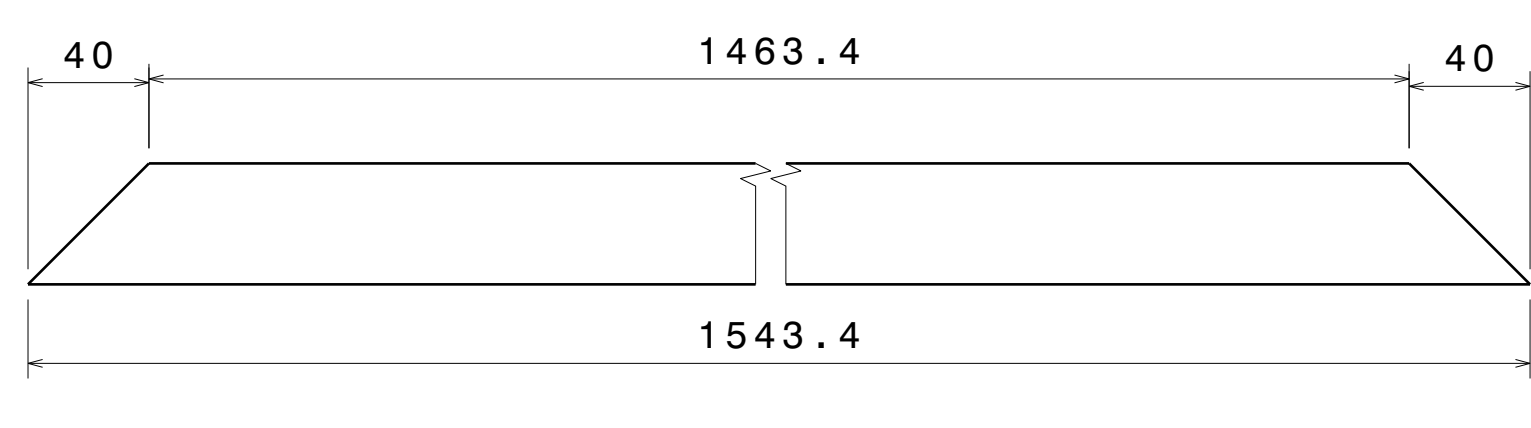


Front view
Scale: 1:5

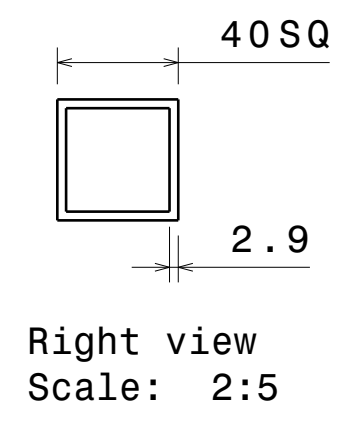
Right view
Scale: 1:5

UNLESS OTHERWISE SPECIFIED DIMENSION ARE IN MM		This drawing is our property. It can't be reproduced or communicated without our written agreement.		APL APOLLO TUBES LTD. 	
THIRD ANGLE PROJECTION 		DRAWING TITLE		GATE 37	
DRAWN BY	DATE	SIZE	DRAWING NUMBER	REV	
SB	2/27/2020	A0	P2P APL_00037	00	
CHECKED BY	DATE	SCALE	WEIGHT (kg)	XXX	SHEET 2
P2P Analysis & Solutions	2/27/2020	NONE			
DESIGNED BY	DATE				
P2P Analysis & Solutions	2/27/2020				

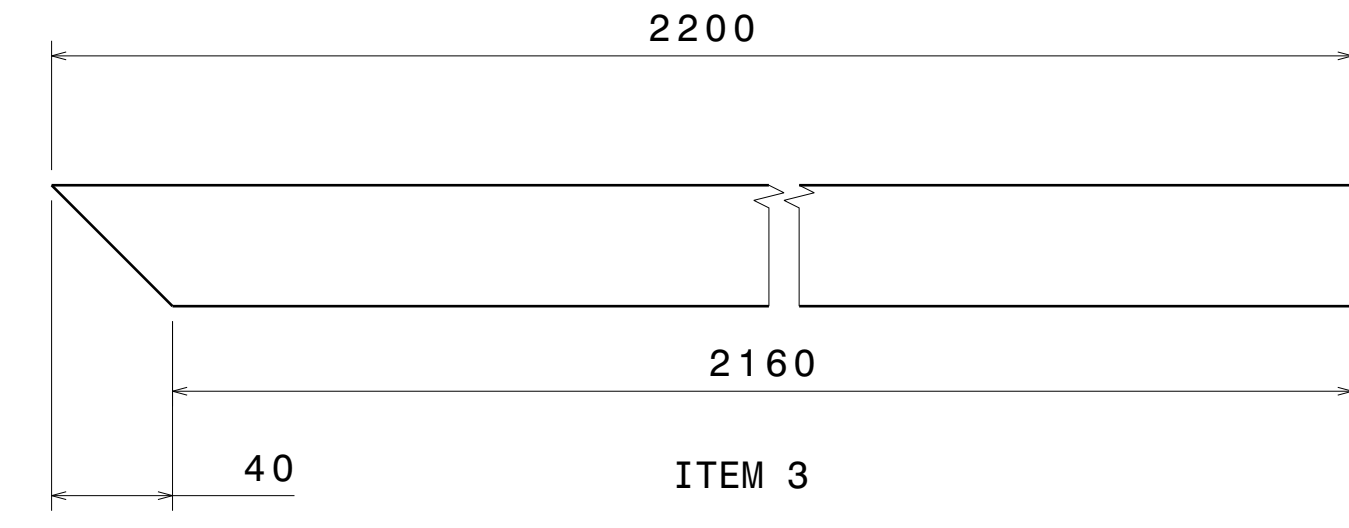
REV/DATE	DESCRIPTION
00 / 2/27/2020	INITIAL REVISION



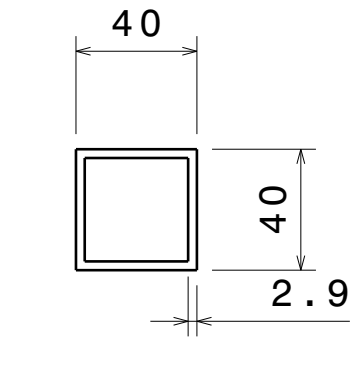
ITEM 1



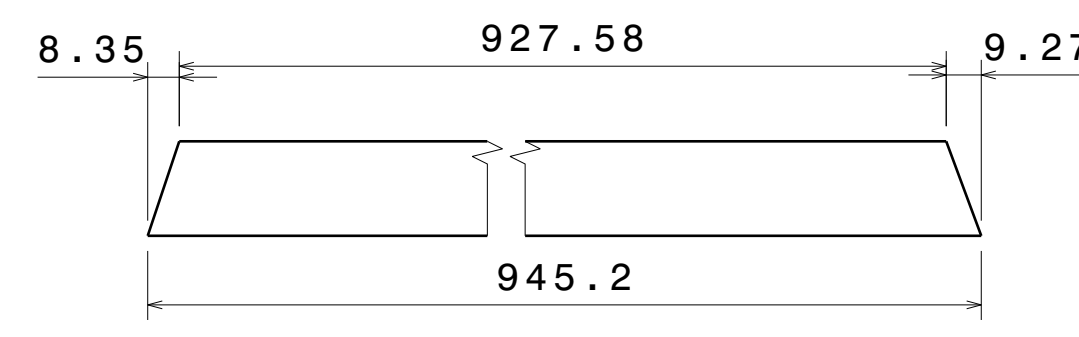
Right view
Scale: 2:5



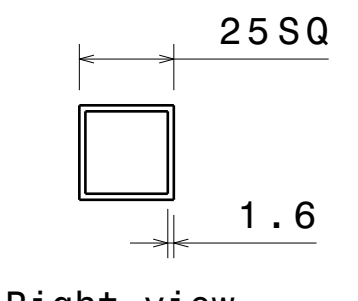
ITEM 3



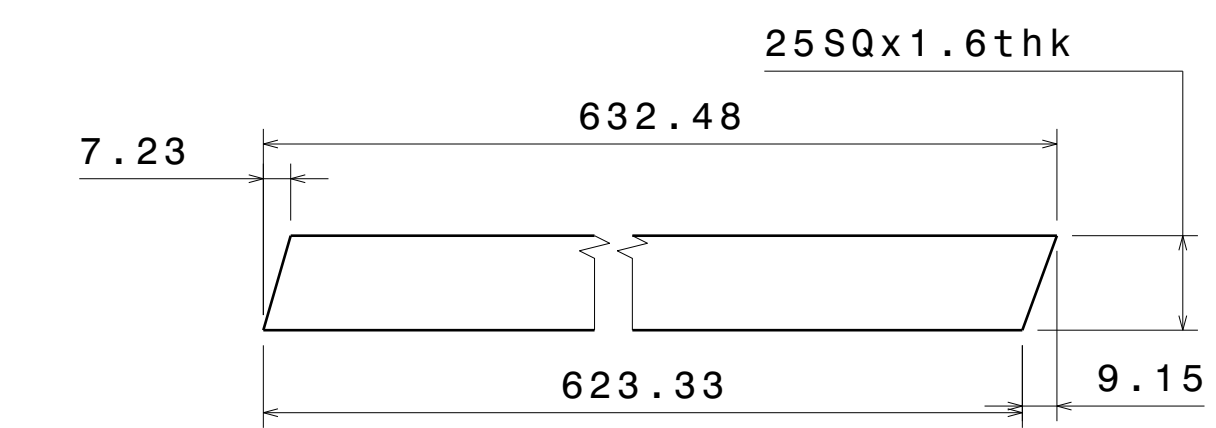
Right view
Scale: 2:5



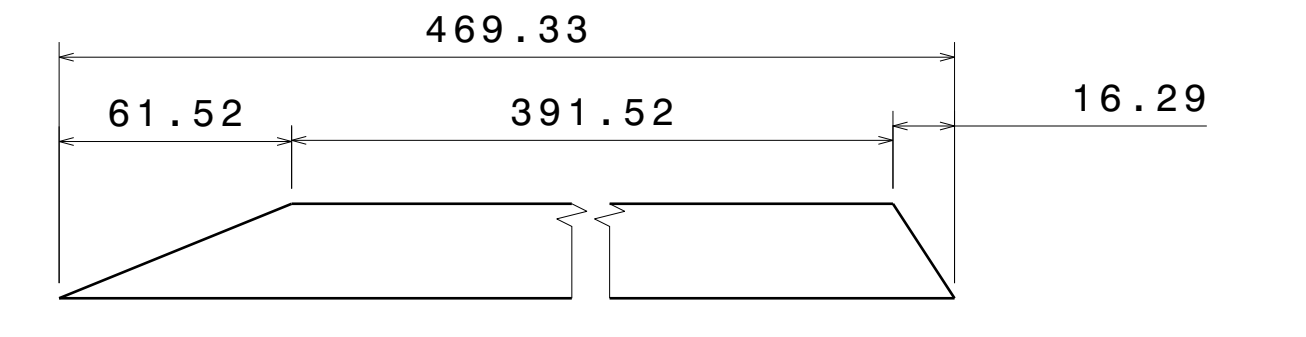
ITEM 11



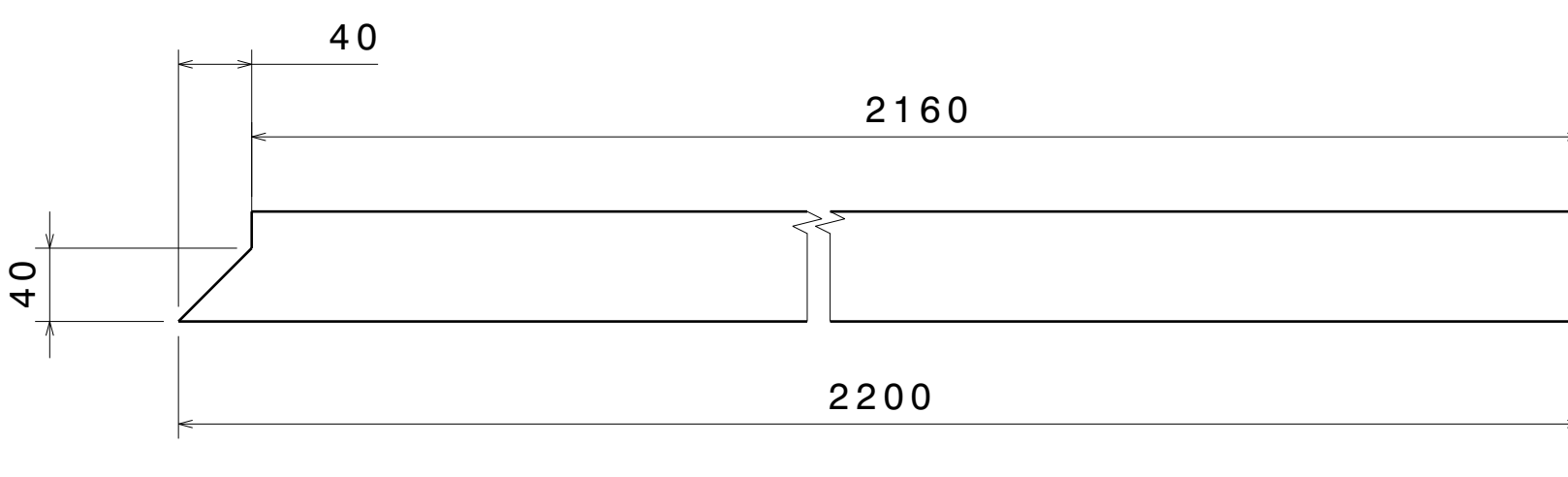
Right view
Scale: 1:2



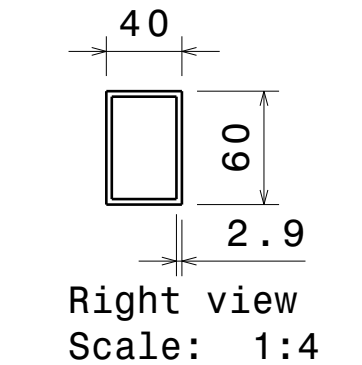
ITEM 16



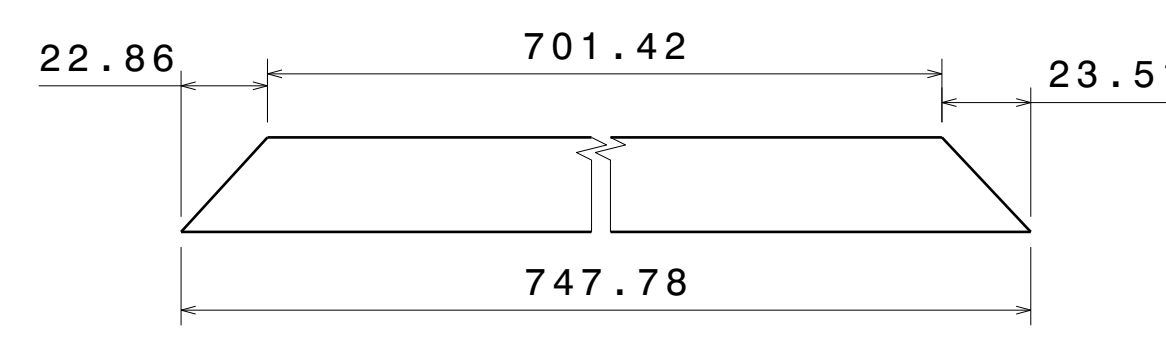
ITEM 21



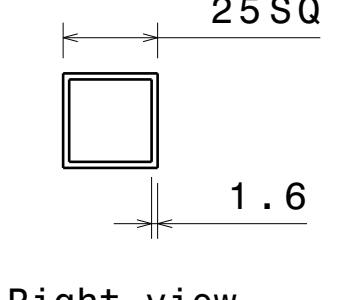
ITEM 2



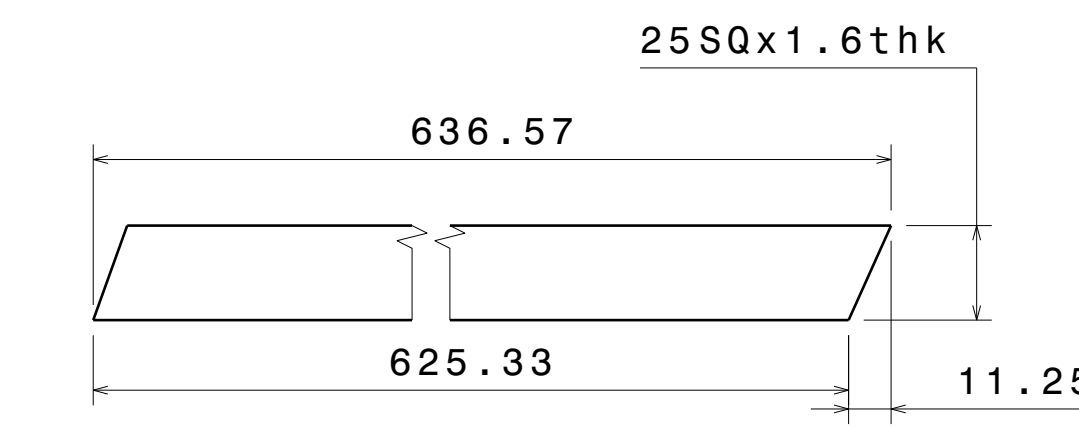
Right view
Scale: 1:4



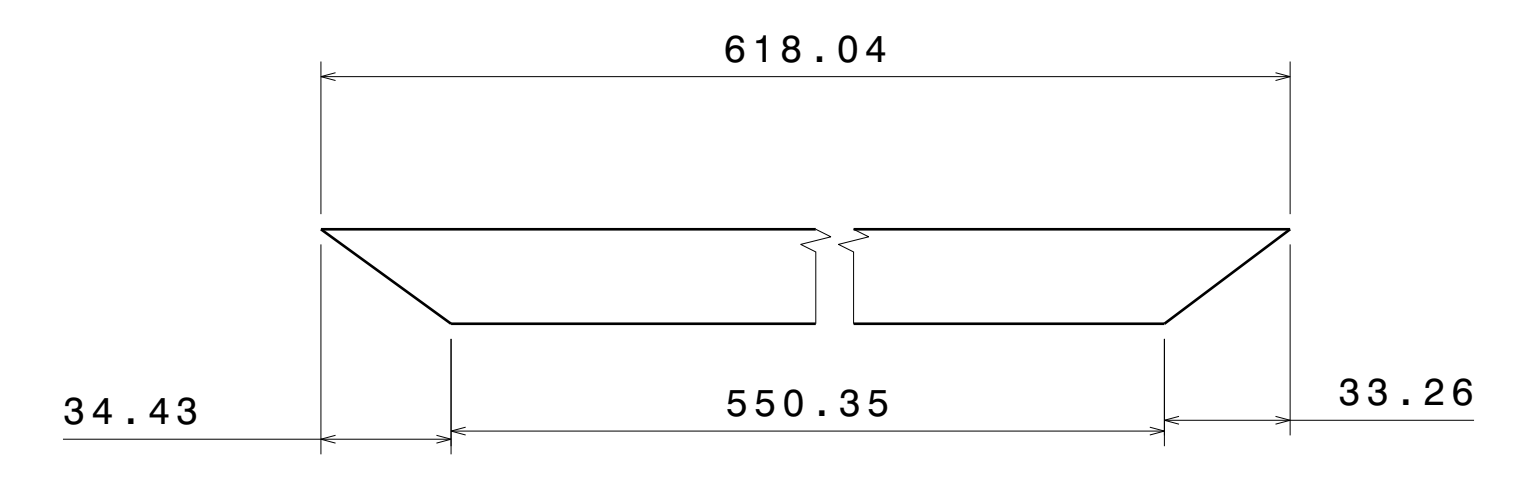
ITEM 12



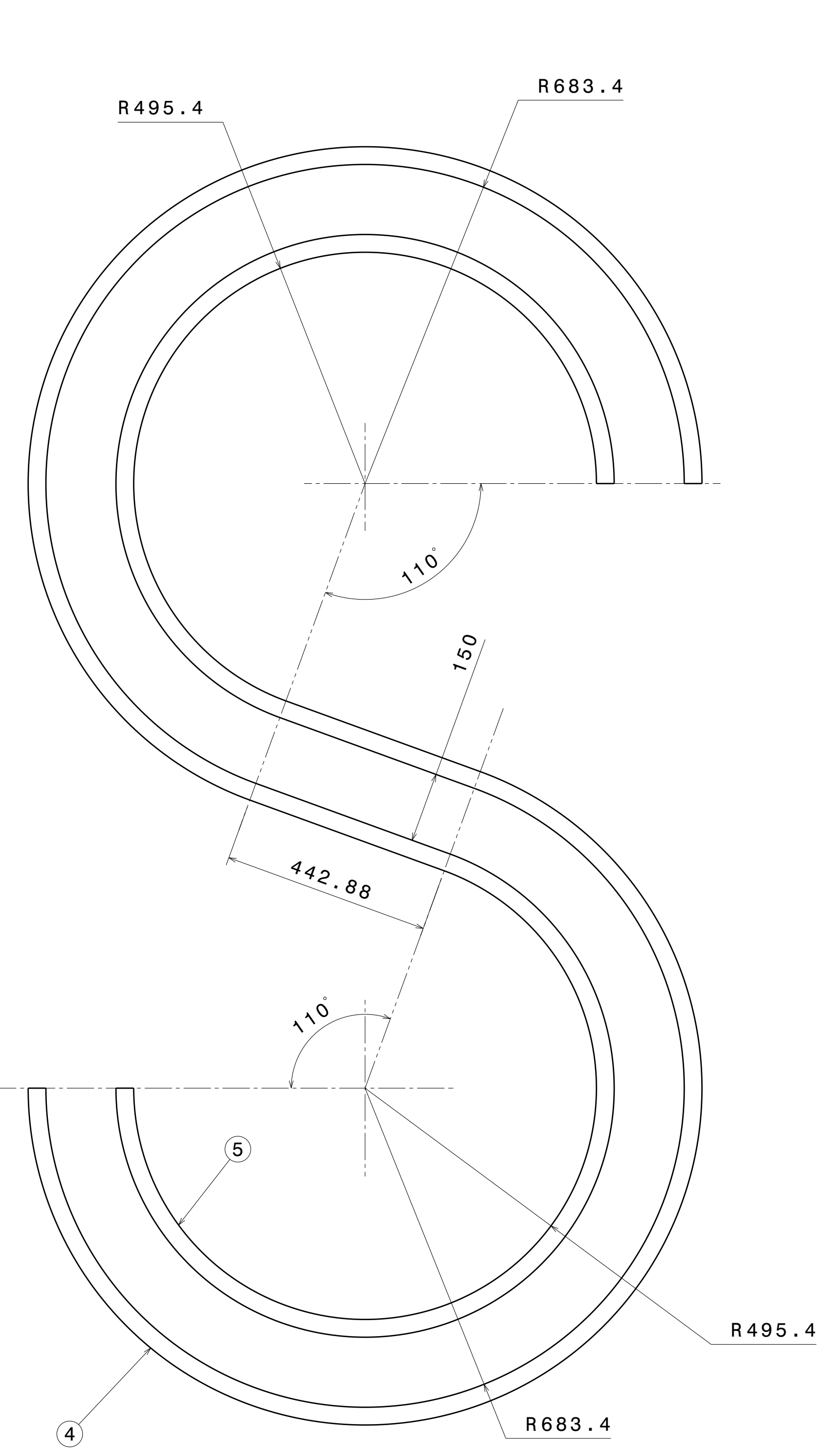
Right view
Scale: 1:2



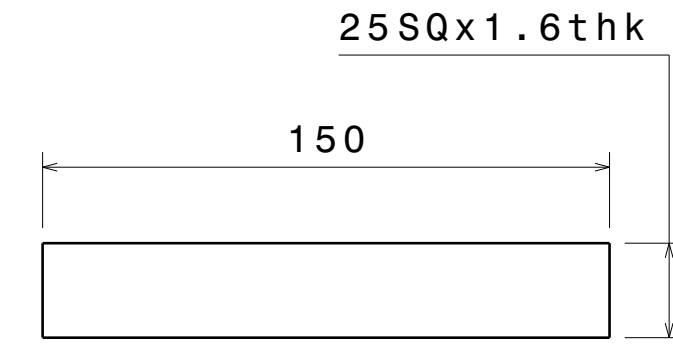
ITEM 17



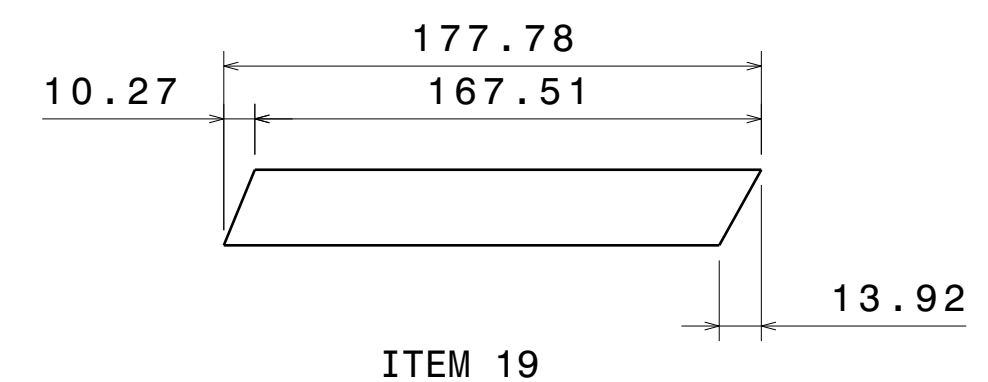
ITEM 22



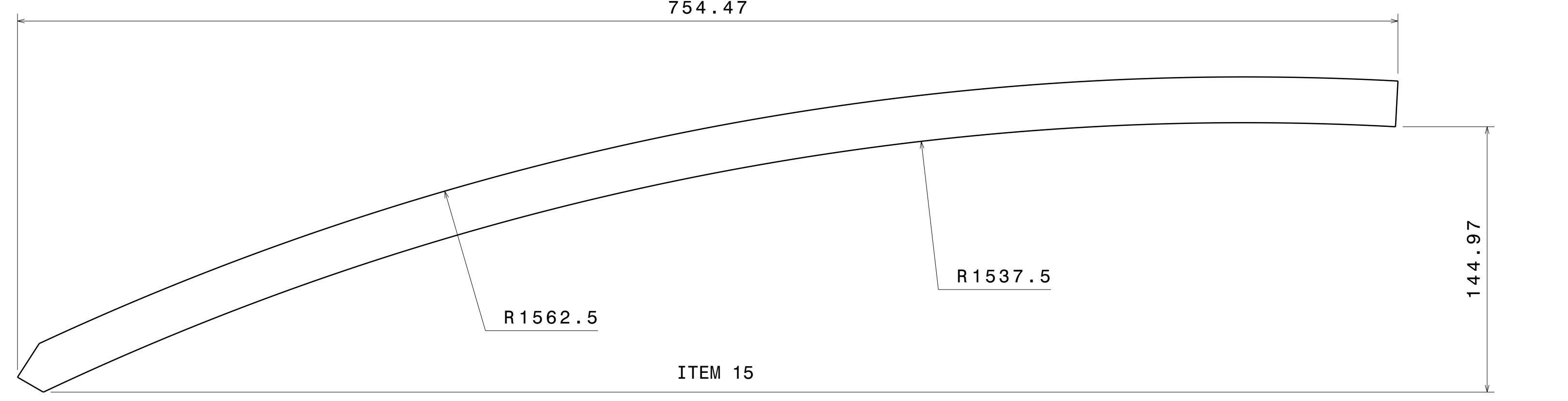
SECTION 38 X 38 X 2



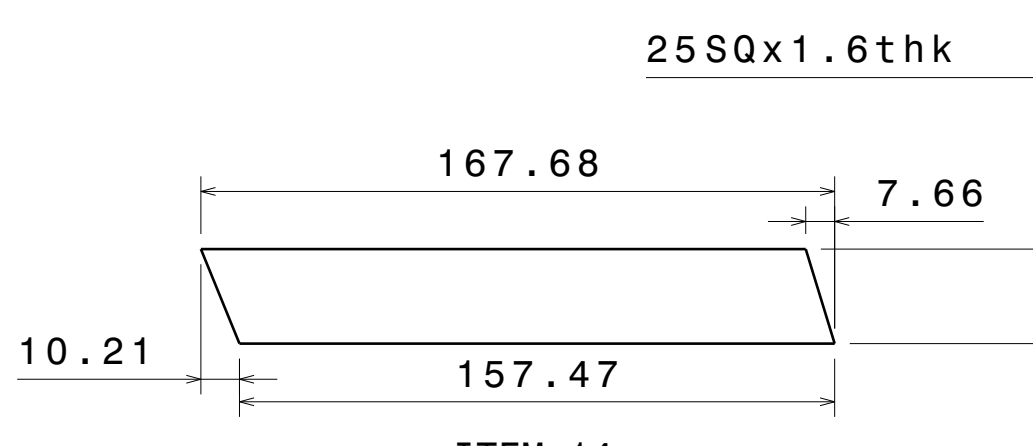
ITEM 13



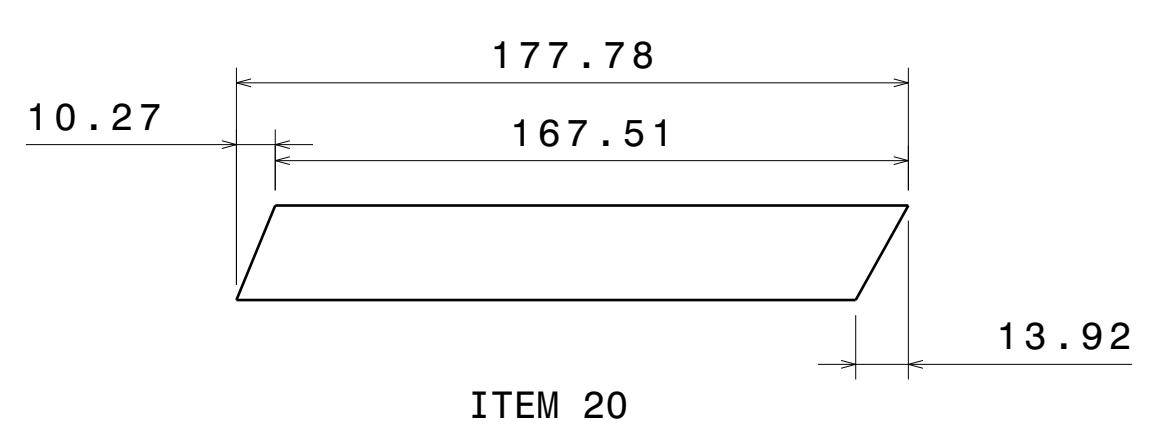
ITEM 19



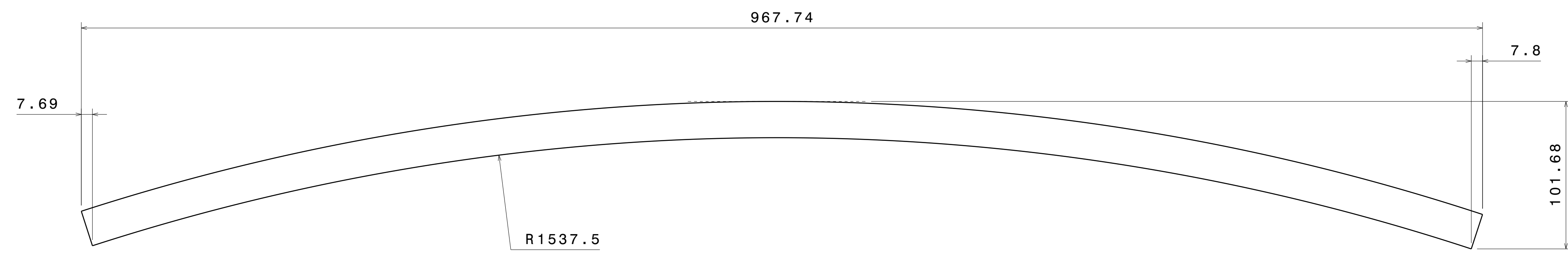
ITEM 15



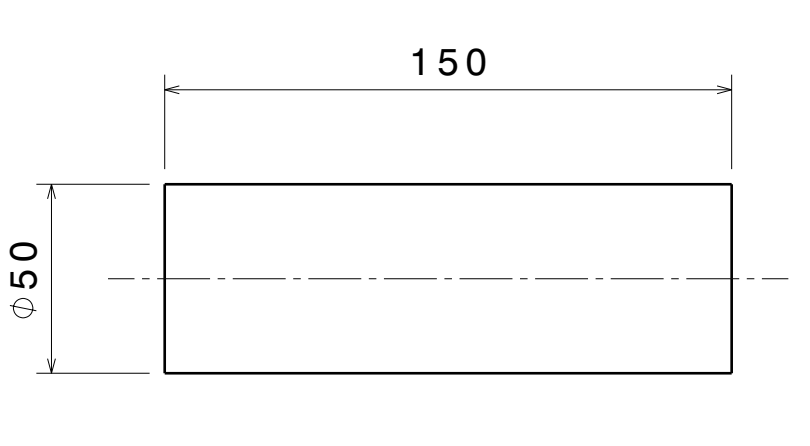
ITEM 14



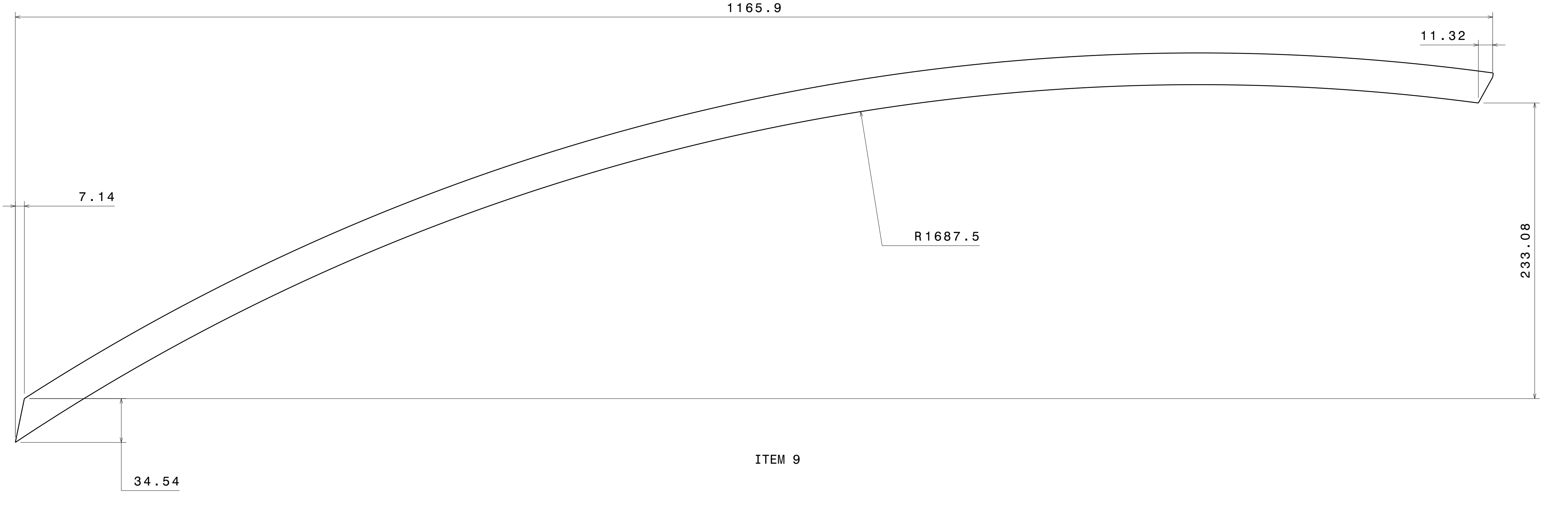
ITEM 20



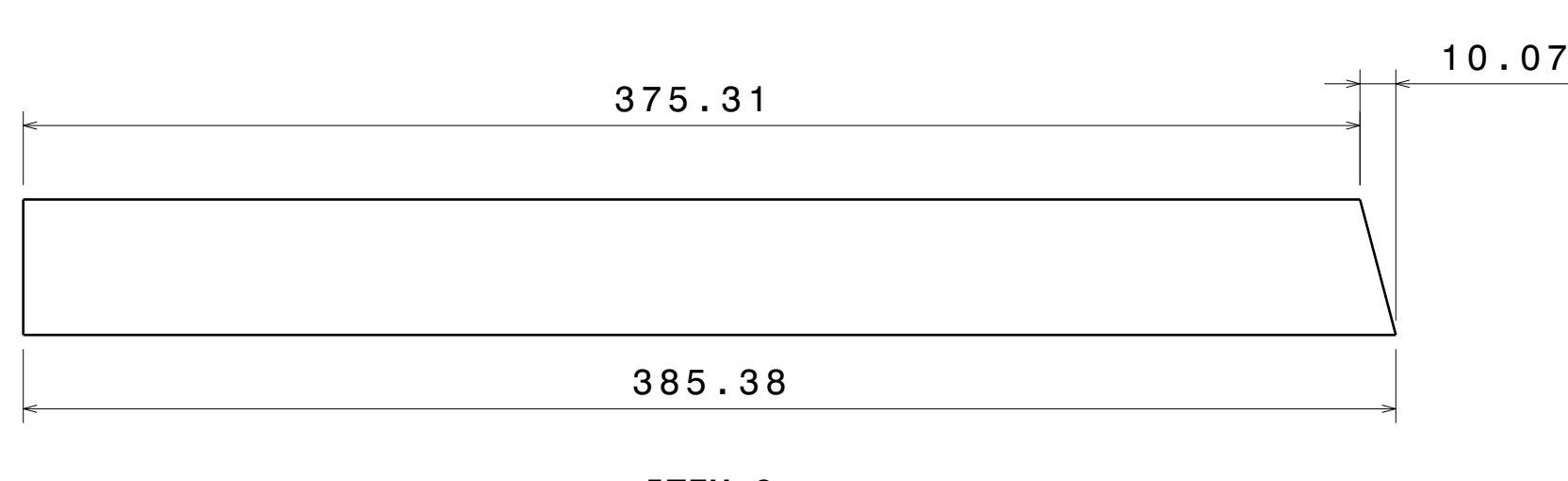
ITEM 10



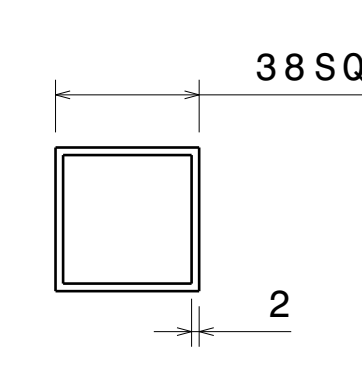
ITEM 23



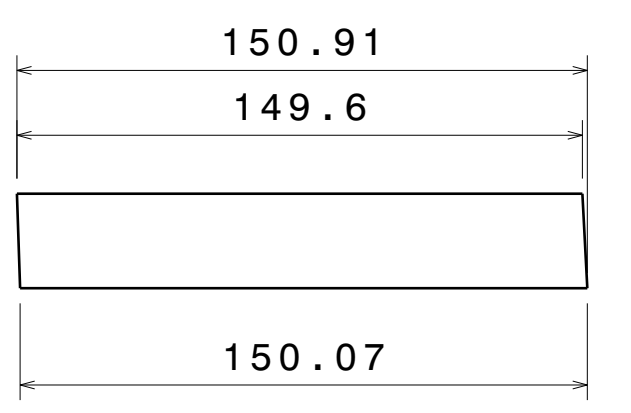
ITEM 9



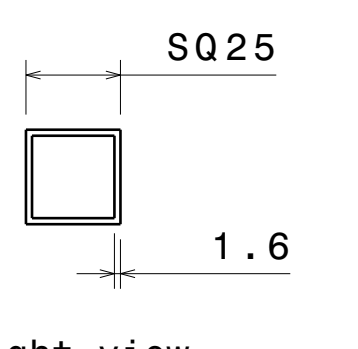
ITEM 6



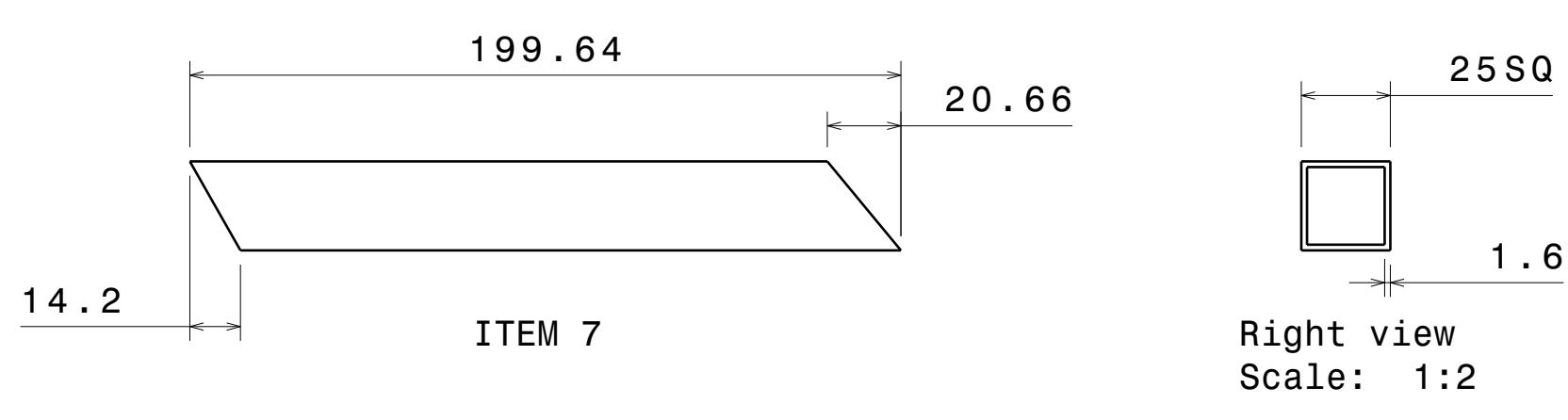
Right view
Scale: 1:2



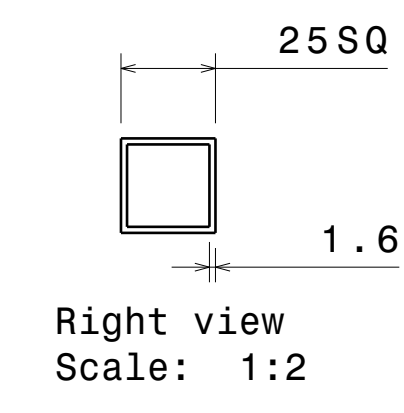
ITEM 8



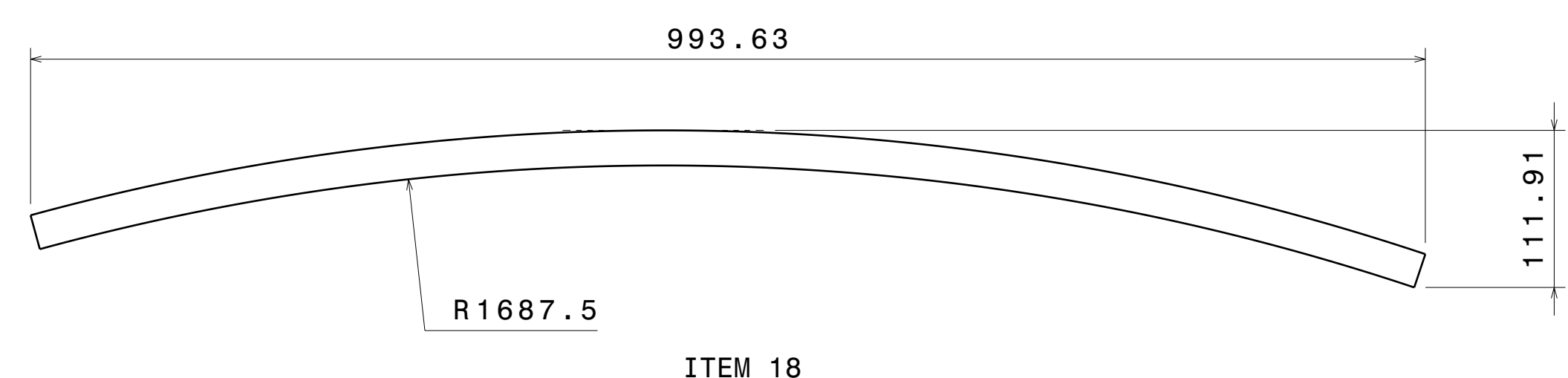
Right view
Scale: 1:2



ITEM 7

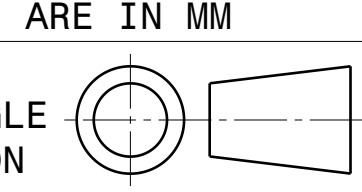


Right view
Scale: 1:2



ITEM 18

UNLESS OTHERWISE SPECIFIED DIMENSION ARE IN MM
VIEWS: THIRD ANGLE PROJECTION



This drawing is our property. It can't be reproduced or communicated without our written agreement.		APL APOLLO TUBES LTD.	
DRAWN BY SB		DRAWING TITLE GATE 37	
CHECKED BY P2P Analysis & Solutions		SIZE A0	
DESIGNED BY P2P Analysis & Solutions		DRAWING NUMBER P2P APL 00037	
DATE 2/27/2020		REV 00	
SCALE NONE		WEIGHT (kg) XXX	
SHEET 3			