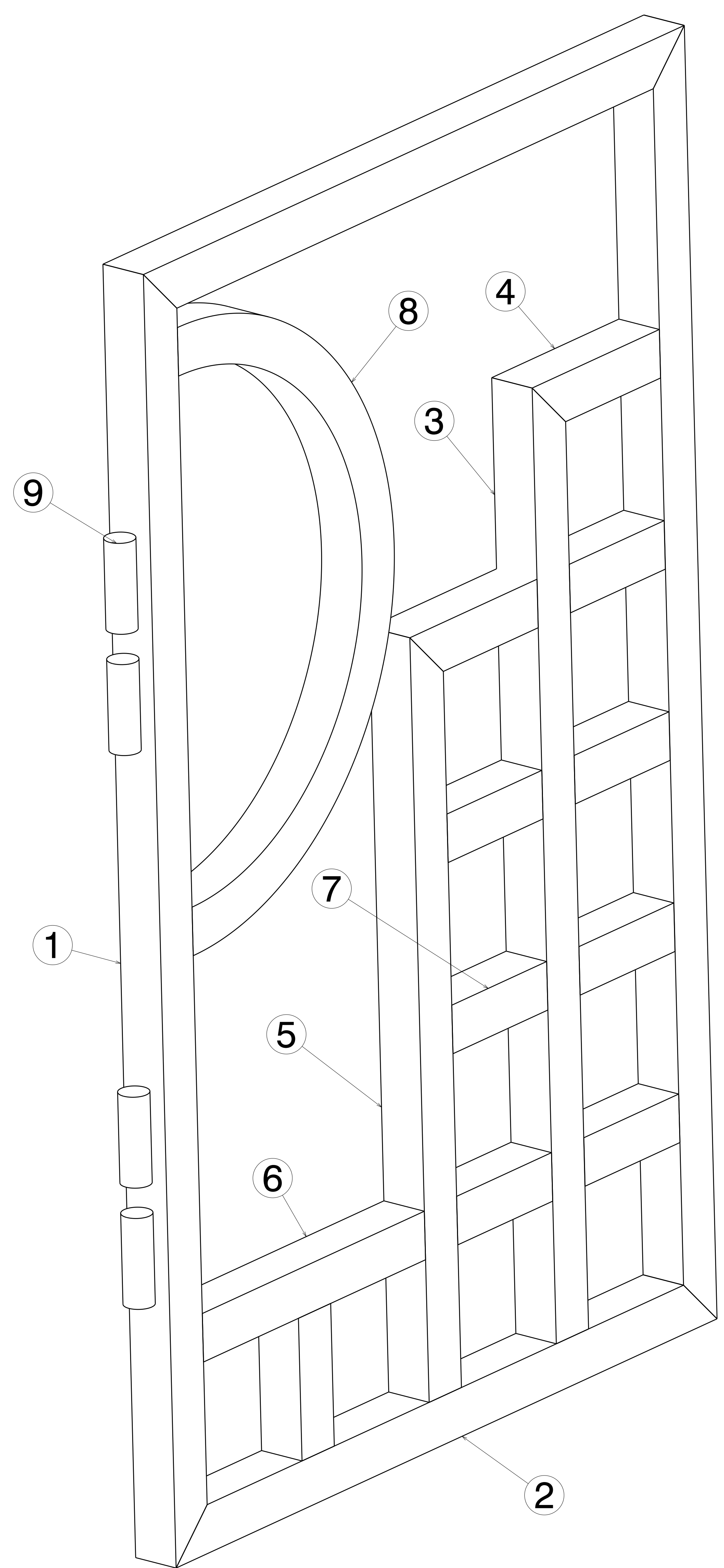



REV/DATE	DESCRIPTION
00 / 1/28/2020	INITIAL REVISION

- NOTES:
- (⊥) ALL VERTICAL SUPPORTS ARE PERPENDICULAR.
 - FLATNESS OF .5MM IS APPLIED BY DEFAULT.
 - ⊲ WELD BEAD OF 2MM RADIUS IS FOLLOWED.
 - ▽ SURFACE FINISH MEDIUM TO SMOOTH IS USED.
 - ALL TUBES ARE AS PER APL APOLLO STANDARD. CHANGES MAY EFFECT THE LOAD CAPACITY.
 - DUAL DIMENSIONS USED WITH BOTH METRIC AND INCH SYSTEM.
 - ALL HORIZONTAL AND VERTICAL TUBES ARE PERPENDICULAR TO EACH OTHER WITH ±1 DEG.
 - FINE WELDING IS REQUIRED AS PER MENTIONED DETAILS AND FINISHING.
 - HIGHER CURRENT WELDING MAY AFFECT THE BRITTLNESS OF MATERIAL WHICH LATER MAY RAISE TO WEAKENING OF STRUCTURE.

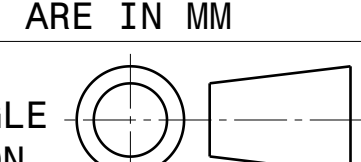


ISOMETRIC VIEW

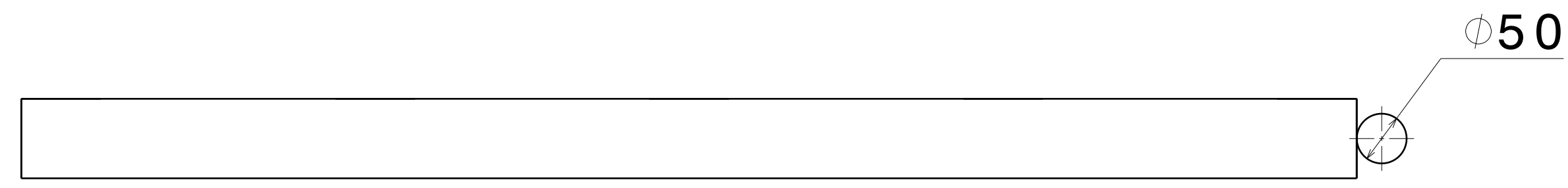
ITEM NO.	PART NUMBER	DESCRIPTION	QTY.
9		HINGE	4
8	Sq tube 15.1 Circular Frame 1	80 X 80 X 4 X R438	1
7	Sq Tube 15.1 Frame 7	80 X 80 X 4 X 235.3	8
6	Sq Tube 15.1 Frame 6	80 X 80 X 4 X 550.6	1
5	Sq Tube 15.1 Frame 5	80 X 80 X 4 X 1261.2	1
4	Sq Tube 15.1 Frame 4	80 X 80 X 4 X 315.5	2
3	Sq Tube 15.1 Frame 3	80 X 80 X 4 X 1576.5	1
2	Sq Tube 15.1 Frame 2	80 X 80 X 4 X 1341.2	2
1	Sq Tube 15.1 Frame 1	80 X 80 X 4 X 2133.6	2

This drawing is our property. It can't be reproduced or communicated without our written agreement.		APL APOLLO TUBES LTD. 	
DRAWN BY SB		DATE 1/28/2020	
CHECKED BY P2P Analysis & Solutions		DATE 1/28/2020	
DESIGNED BY P2P Analysis & Solutions		DATE 1/28/2020	
DRAWING TITLE GATE 15 DESIGN 1		SIZE A0	DRAWING NUMBER P2P_APL_00015_01
SCALE NONE		WEIGHT (kg) 142	SHEET 1

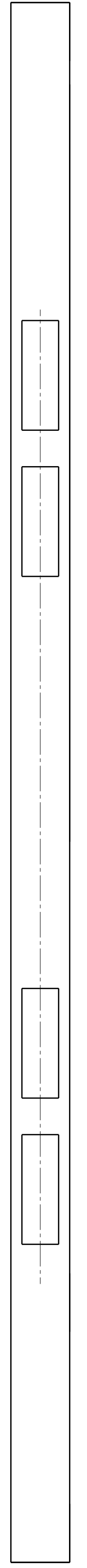
UNLESS OTHERWISE SPECIFIED DIMENSION ARE IN MM
VIEWS: THIRD ANGLE PROJECTION



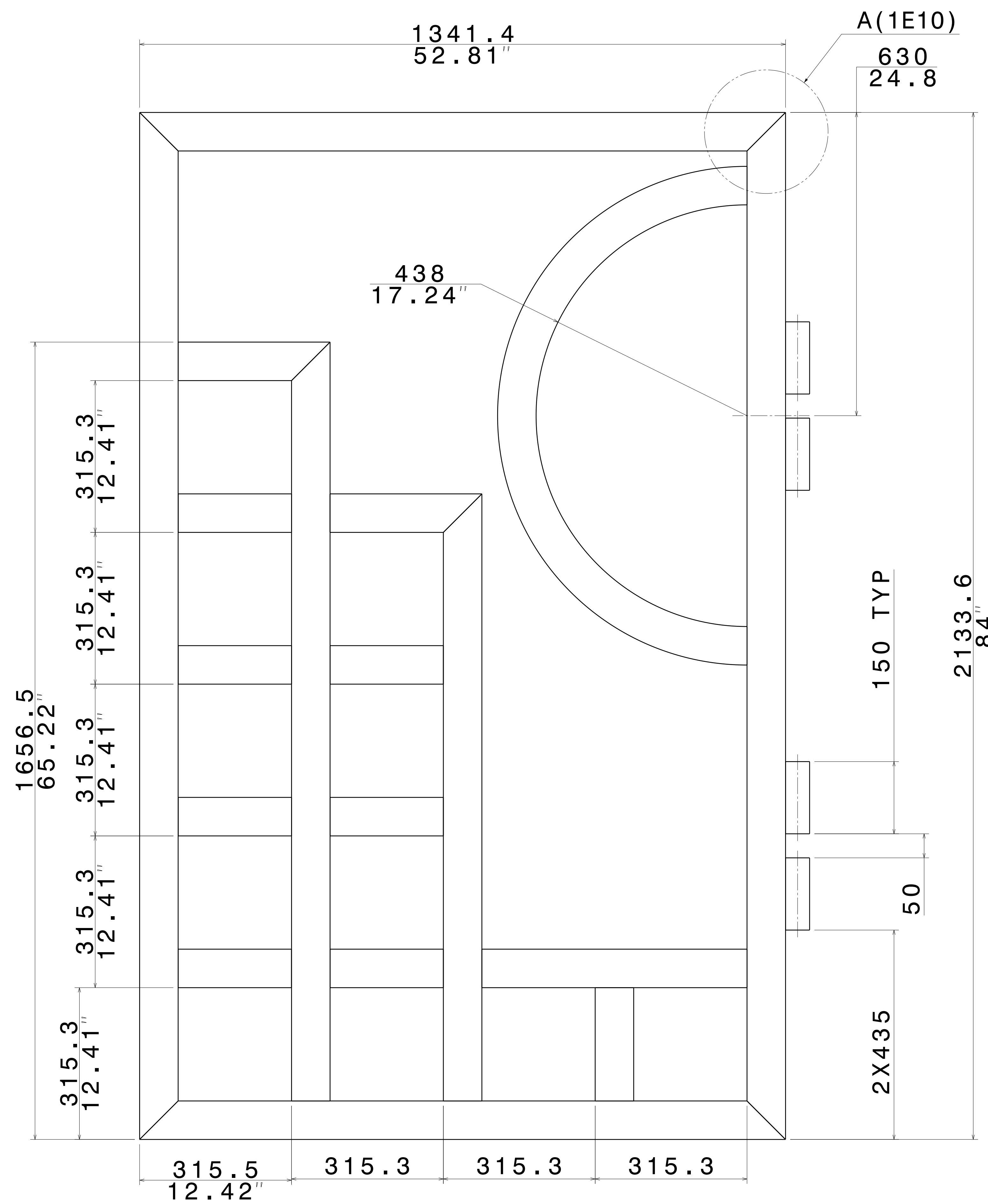
REV	DATE	DESCRIPTION
00	1/28/2020	INITIAL REVISION



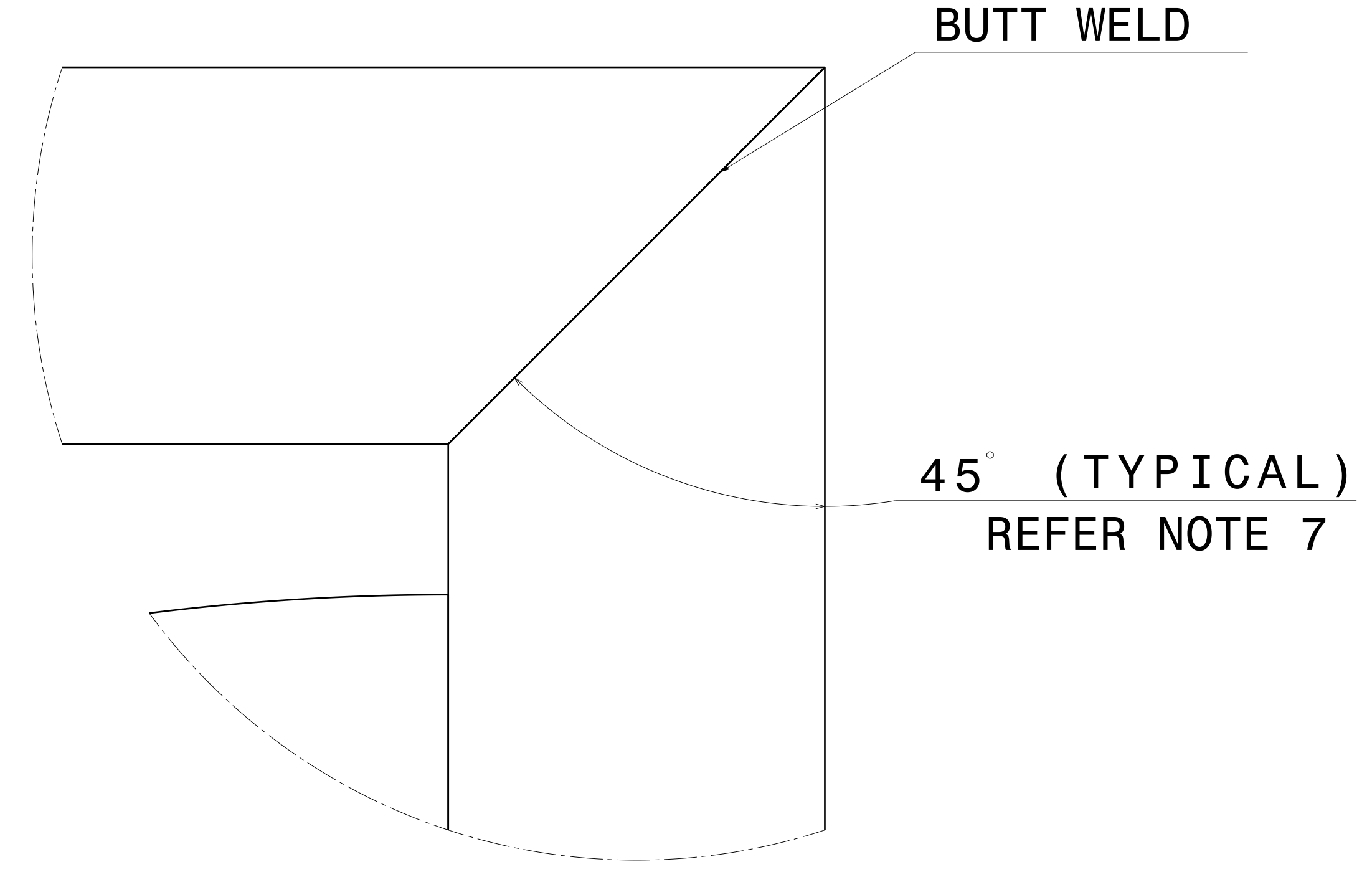
Bottom view
Scale: 1:5



Right view
Scale: 1:5

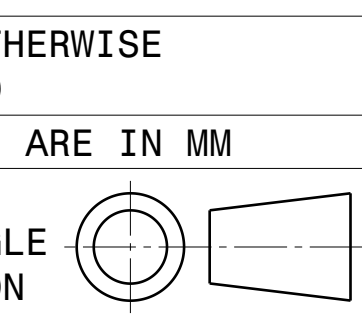



Front view
Scale: 1:5



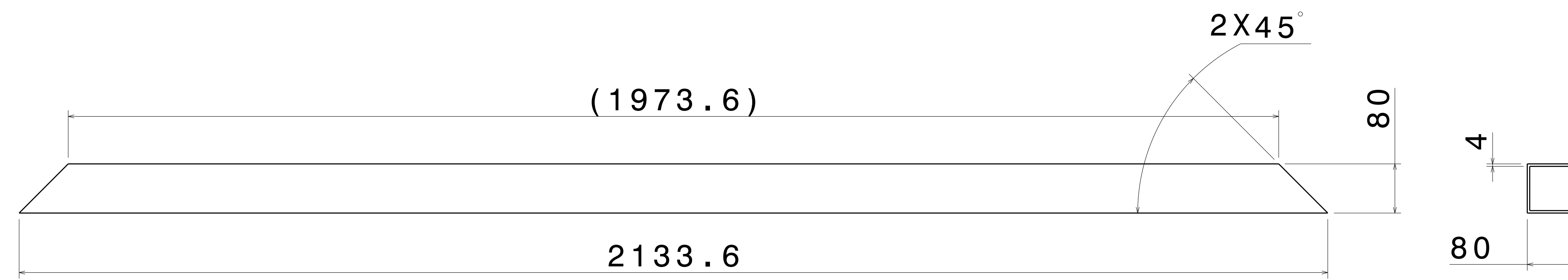
Detail A(1I13)
Scale: 1:1

UNLESS OTHERWISE SPECIFIED DIMENSION ARE IN MM
VIEWS: THIRD ANGLE PROJECTION

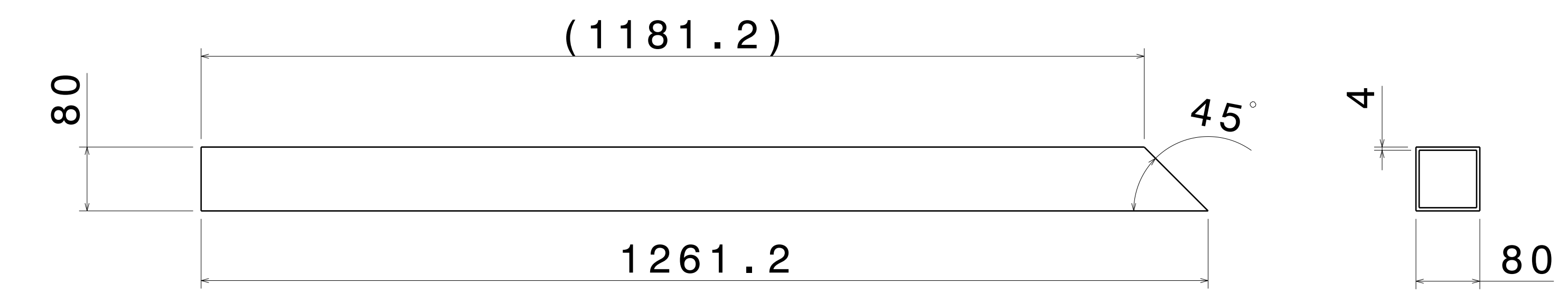


This drawing is our property. It can't be reproduced or communicated without our written agreement.		APL APOLLO TUBES LTD. 	
DRAWN BY SB		DATE 1/28/2020	
CHECKED BY P2P Analysis & Solutions		DATE 1/28/2020	
DESIGNED BY P2P Analysis & Solutions		DATE 1/28/2020	
DRAWING TITLE GATE 15 DESIGN 1		REV 00	
SIZE A0	DRAWING NUMBER P2P_APL_00015_01	WEIGHT (kg) XXX	
SCALE 1:1	SHEET 2		

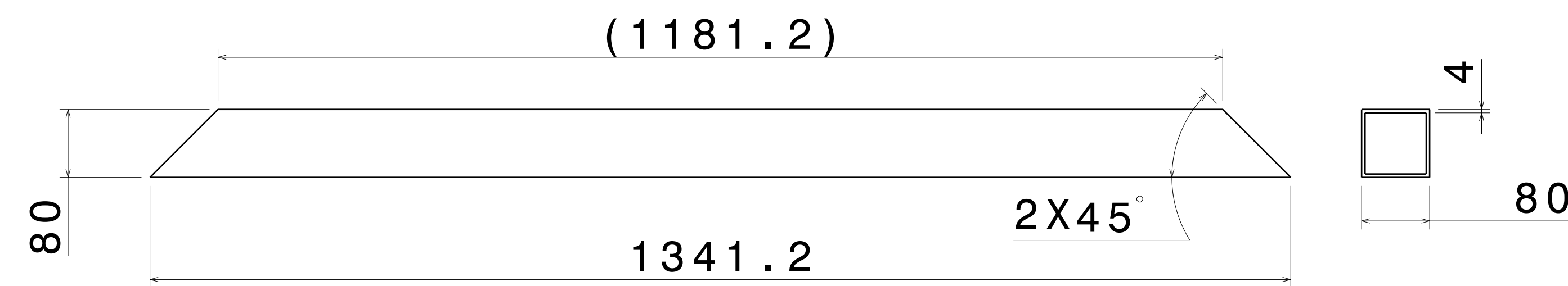
REV	DATE	DESCRIPTION
00	1/28/2020	INITIAL REVISION



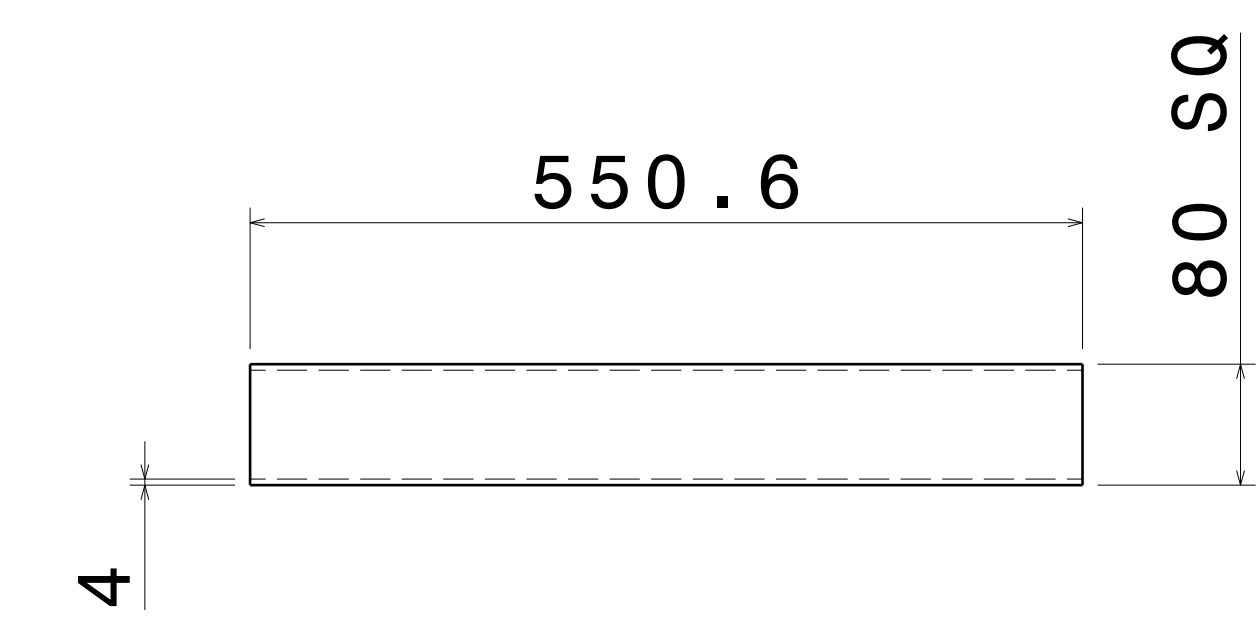
ITEM 1, QTY 2
SIZE: 80 X 80 X 4 X 2133.6



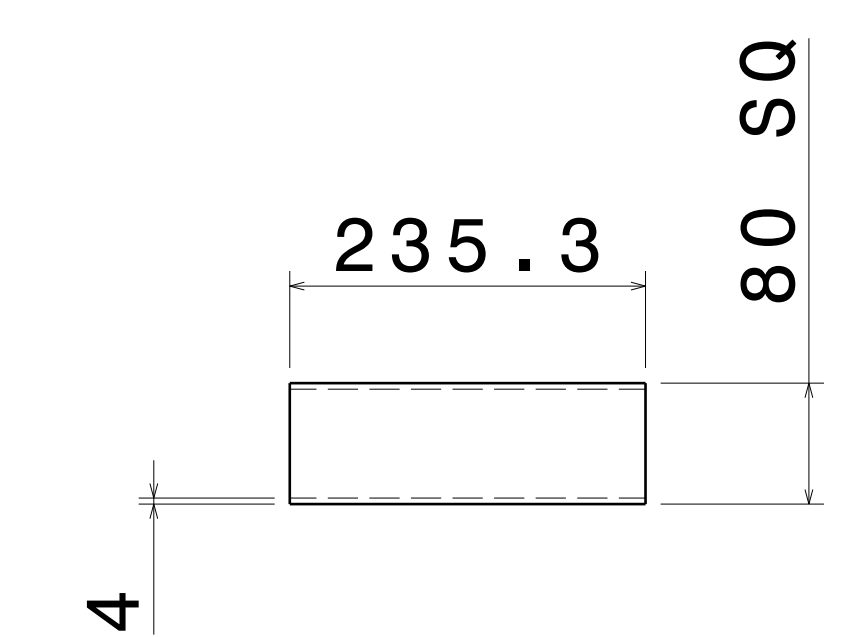
ITEM 5, QTY 1
SIZE: 80 X 80 X 4 X 1261.2



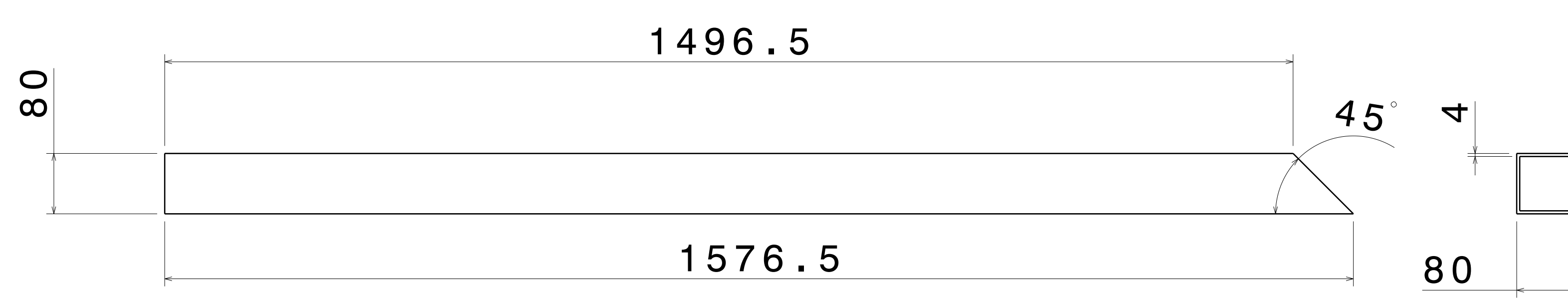
ITEM 2, QTY 2
SIZE: 80 X 80 X 4 X 13341.2



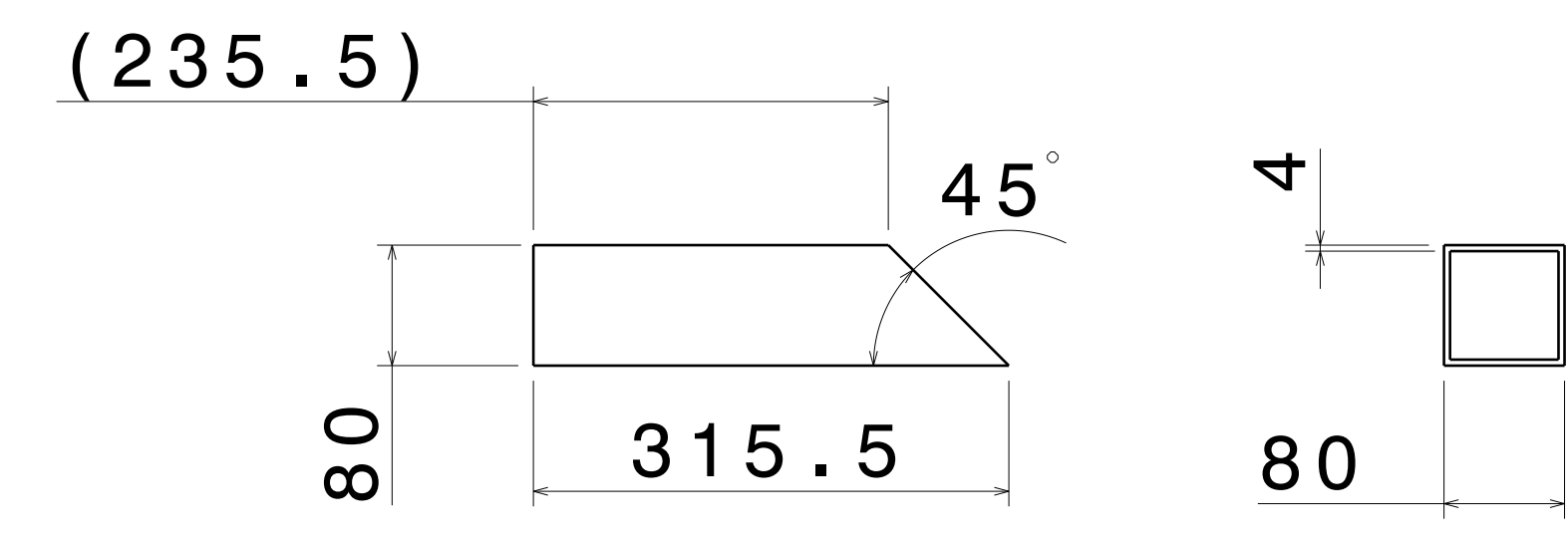
ITEM 6, QTY 1
SIZE: 80 X 80 X 4 X 550.6



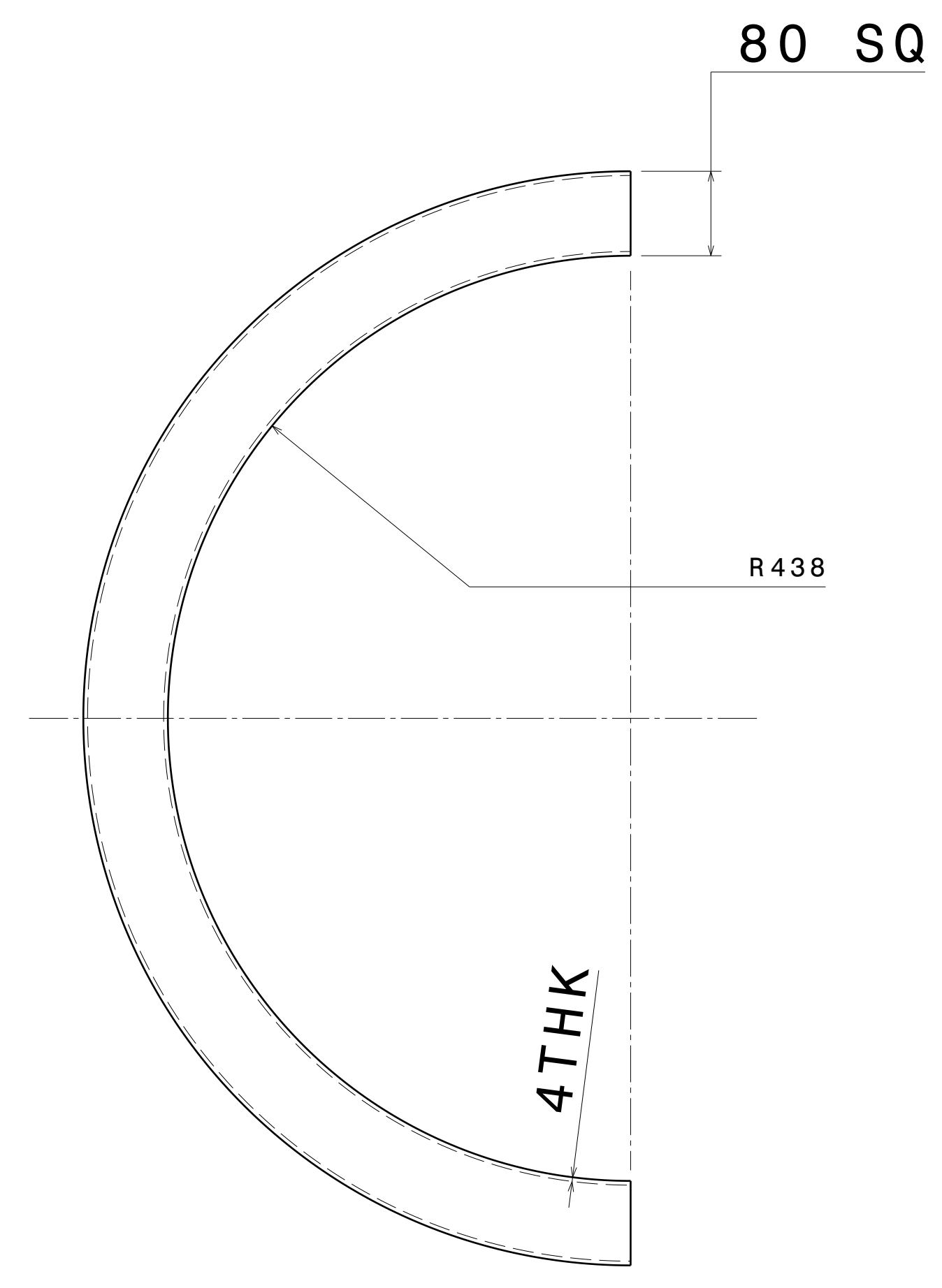
ITEM 7, QTY 8



ITEM 3, QTY 1
SIZE: 80 X 80 X 4 X 13341.2



ITEM 4, QTY 2
SIZE: 80 X 80 X 4 X 315.5



ITEM 8, QTY 1

UNLESS OTHERWISE SPECIFIED DIMENSION ARE IN MM
VIEWS: THIRD ANGLE PROJECTION

This drawing is our property. It can't be reproduced or communicated without our written agreement.		APL APOLLO TUBES LTD.	
DRAWN BY: SB		DATE: 1/28/2020	
CHECKED BY: P2P Analysis & Solutions		DATE: 1/28/2020	
DESIGNED BY: P2P Analysis & Solutions		DATE: 1/28/2020	
DRAWING TITLE: GATE 15 DESIGN 1		SIZE: A0	DRAWING NUMBER: P2P_APL_00015_01
SCALE: 1:1		WEIGHT (kg): XXX	SHEET: 3