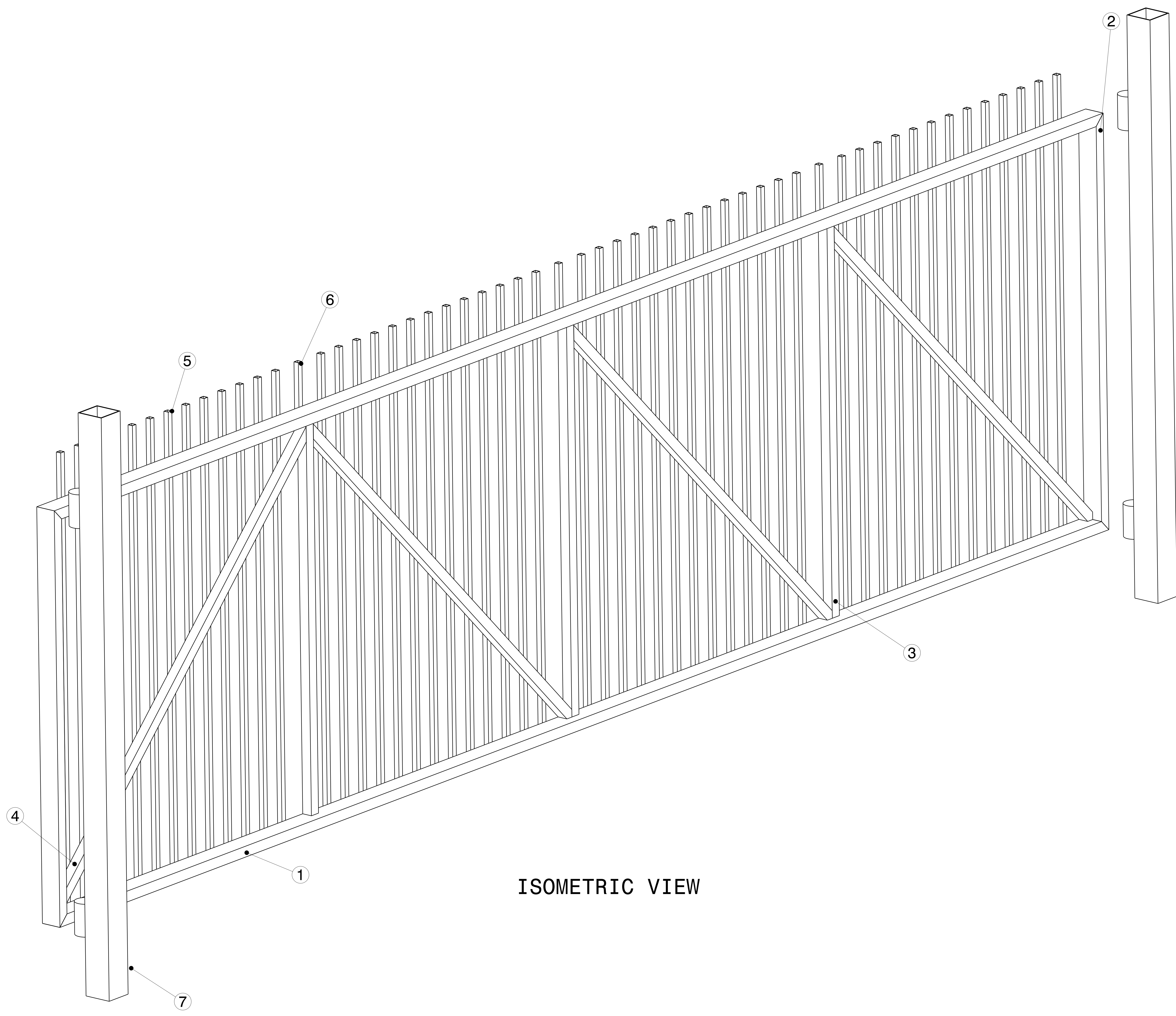


REV/DATE	DESCRIPTION
00 / 1/28/2020	INITIAL REVISION


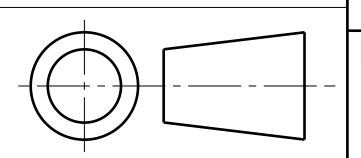
NOTES:

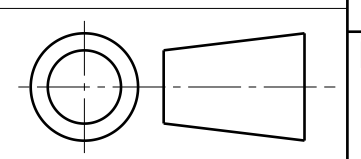
- (⊥) ALL VERTICAL SUPPORTS ARE PERPENDICULAR.
- FLATNESS OF .5MM IS APPLIED BY DEFAULT.
- ∩ WELD BEAD OF 2MM RADIUS IS FOLLOWED.
- ▽ SURFACE FINISH MEDIUM TO SMOOTH IS USED.
- ALL TUBES ARE AS PER APL APOLLO STANDARD. CHANGES MAY EFFECT THE LOAD CAPACITY.
- DUAL DIMENSIONS USED WITH BOTH METRIC AND INCH SYSTEM IN SOME PLACES.
- ALL HORIZONTAL AND VERTICAL TUBES ARE PERPENDICULAR TO EACH OTHER WITH ±1 DEG.
- FINE WELDING IS REQUIRED AS PER MENTIONED DETAILS AND FINISHING.
- HIGHER CURRENT WELDING MAY AFFECT THE BRITTLENESS OF MATERIAL WHICH LATER MAY RAISE TO WEAKENING OF STRUCTURE.



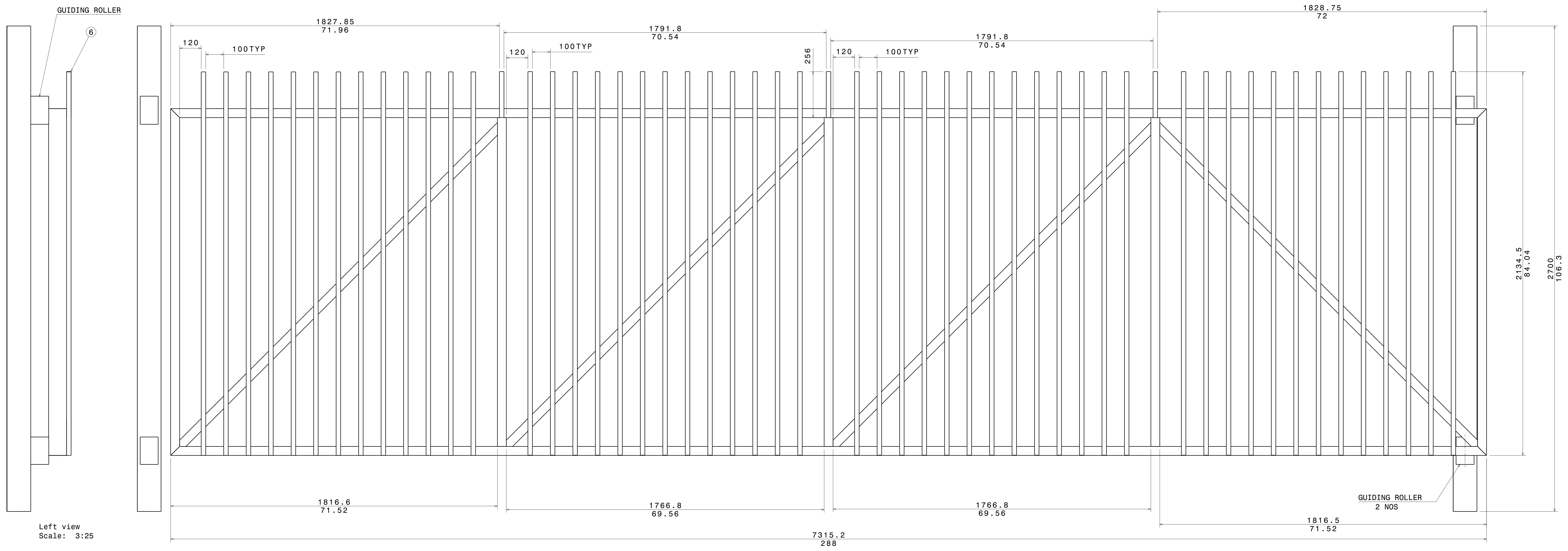
ISOMETRIC VIEW

ITEM NO.	PART NUMBER	DESCRIPTION	QTY.
7	GATE SUPPORT & GUIDANCE		1
6	Gate 39 Square 5	25 X 25 X 1.6 X 256	3
5	Gate 39 Square 4	25 X 25 X 1.6 X 2133	39
4	Gate 39 Square 3	49.5 X 49.5 X 2.6 X 2523	4
3	Gate 39 Square 2	49.5 X 49.5 X 2.6 X 1828.8	3
2	Gate 39 Rectangular 2	100 X 50 X 3.6 X 1928.8	2
1	Gate 39 Rectangular 1	100 X 50 X 3.6 X 7315.2	2

This drawing is our property. It can't be reproduced or communicated without our written agreement.		APL APOLLO TUBES LTD. 	
DRAWN BY SB		DATE 1/28/2020	
CHECKED BY P2P Analysis & Solutions		DATE 1/28/2020	
DESIGNED BY P2P Analysis & Solutions		DATE 1/28/2020	
DRAWING TITLE GATE 39		SIZE A0	DRAWING NUMBER P2P APL 00039
UNLESS OTHERWISE SPECIFIED DIMENSION ARE IN MM		SCALE NONE	WEIGHT (kg) XXX
VIEWS: THIRD ANGLE PROJECTION 		SHEET 1	

UNLESS OTHERWISE SPECIFIED DIMENSION ARE IN MM
VIEWS:
THIRD ANGLE PROJECTION 

REV/DATE	DESCRIPTION
00 / 1/28/2020	INITIAL REVISION

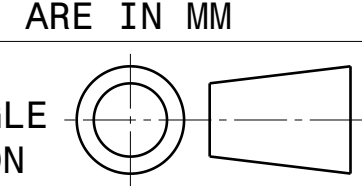


SLIDING DIRECTION BOTHWAYS



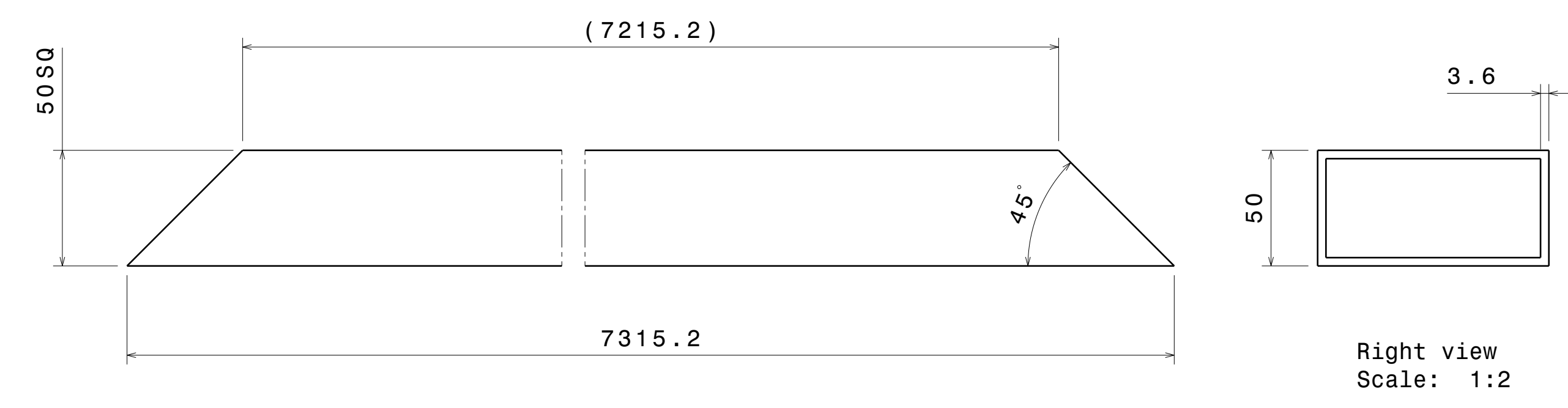
SUPPORT SYSTEM IS ONLY FOR ILLUSTRATION PURPOSE ONLY. DIMENSIONS ARE SUBJECTED TO CHANGE

UNLESS OTHERWISE SPECIFIED DIMENSION ARE IN MM VIEWS: THIRD ANGLE PROJECTION



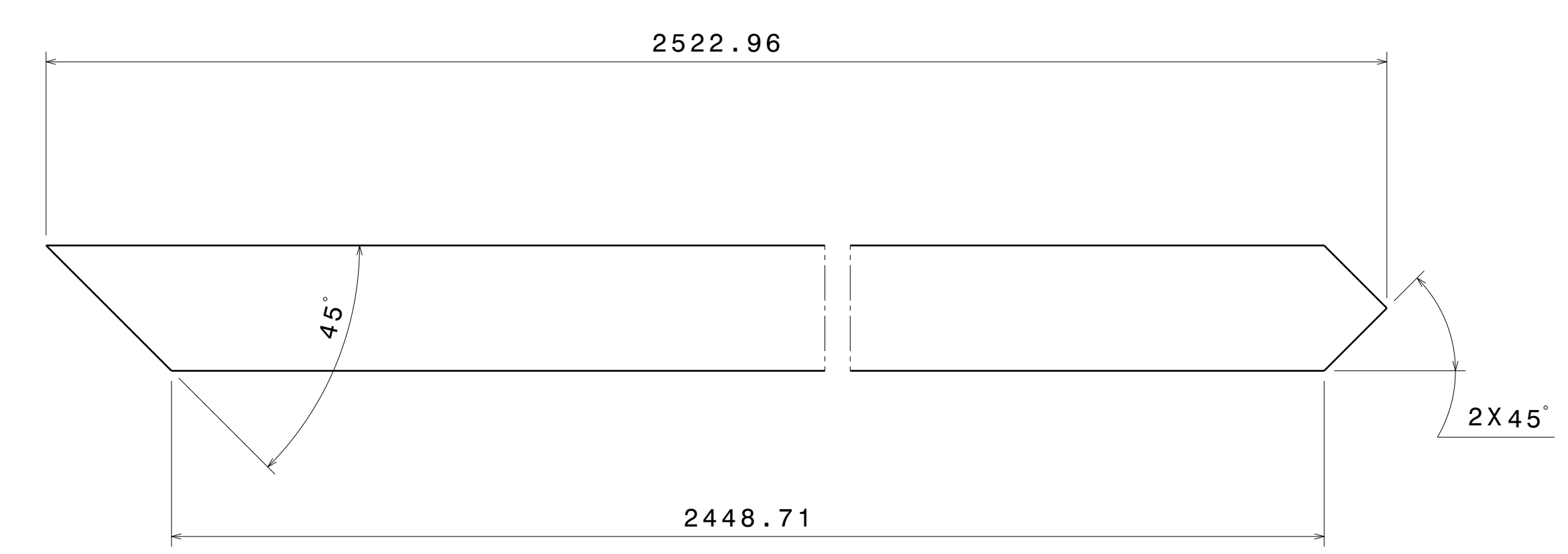
This drawing is our property. It can't be reproduced or communicated without our written agreement.		APL APOLLO TUBES LTD.	
DRAWN BY: SB		DATE: 1/28/2020	
CHECKED BY: P2P Analysis & Solutions		DATE: 1/28/2020	
DESIGNED BY: P2P Analysis & Solutions		DATE: 1/28/2020	
DRAWING TITLE: GATE 18		SIZE: A0	DRAWING NUMBER: P2P APL_00018
SCALE: NONE		WEIGHT (kg): XXX	REV: 00
SHEET: 2		A	

REV	DATE	DESCRIPTION
00	1/28/2020	INITIAL REVISION



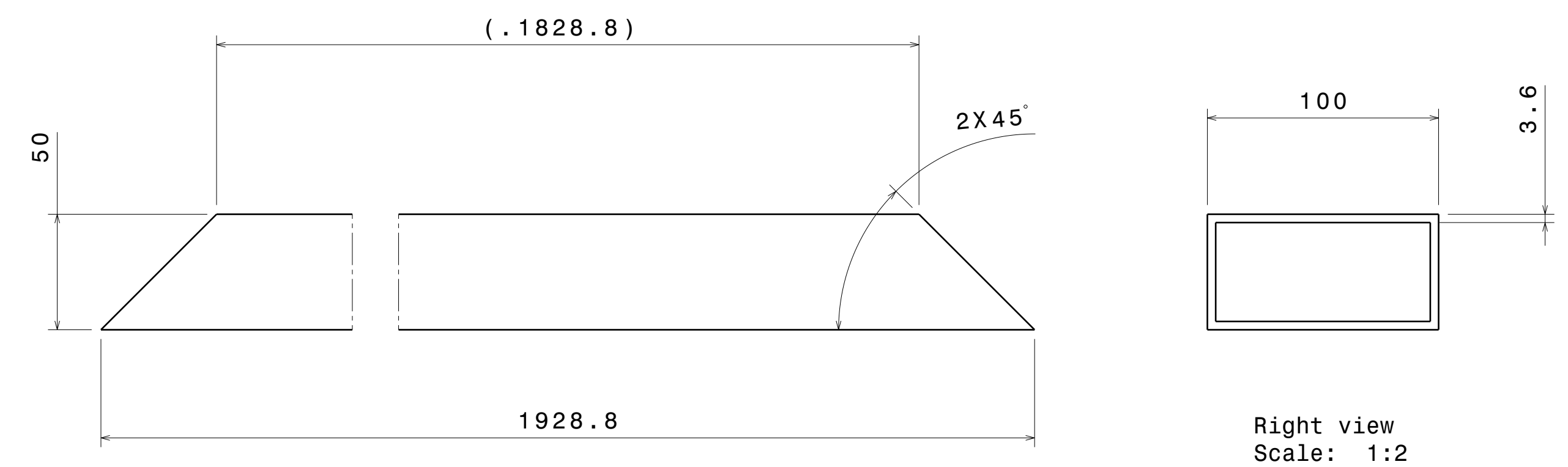
ITEM 1, QTY 2
BROKEN VIEW

Right view
Scale: 1:2



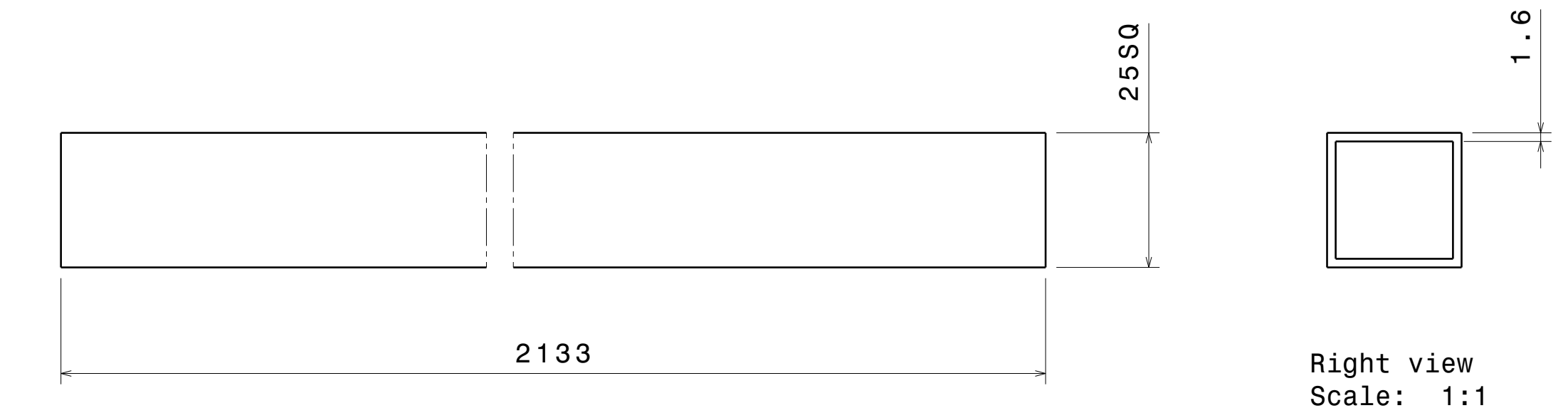
ITEM 4, QTY 4
BROKEN VIEW

Right view
Scale: 1:2



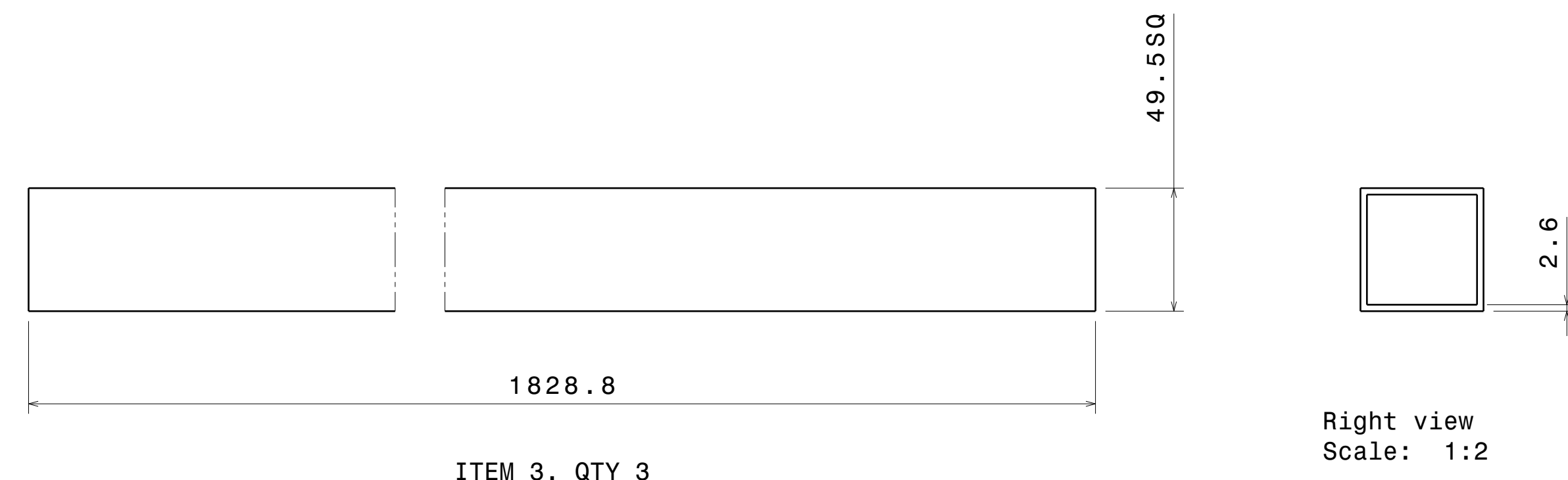
ITEM 2, QTY 2
BROKEN VIEW

Right view
Scale: 1:2



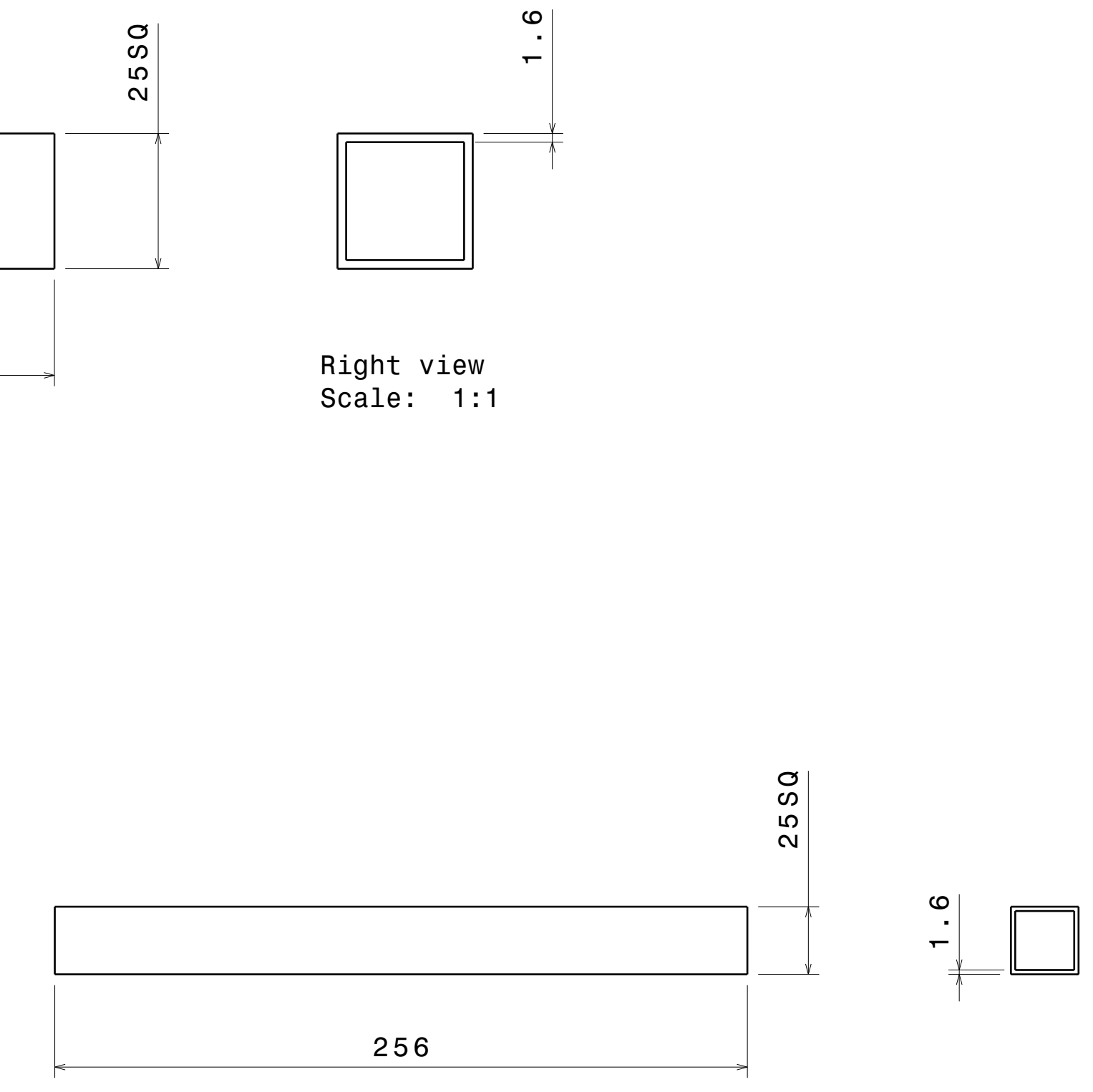
Front view
Scale: 1:1

Right view
Scale: 1:1

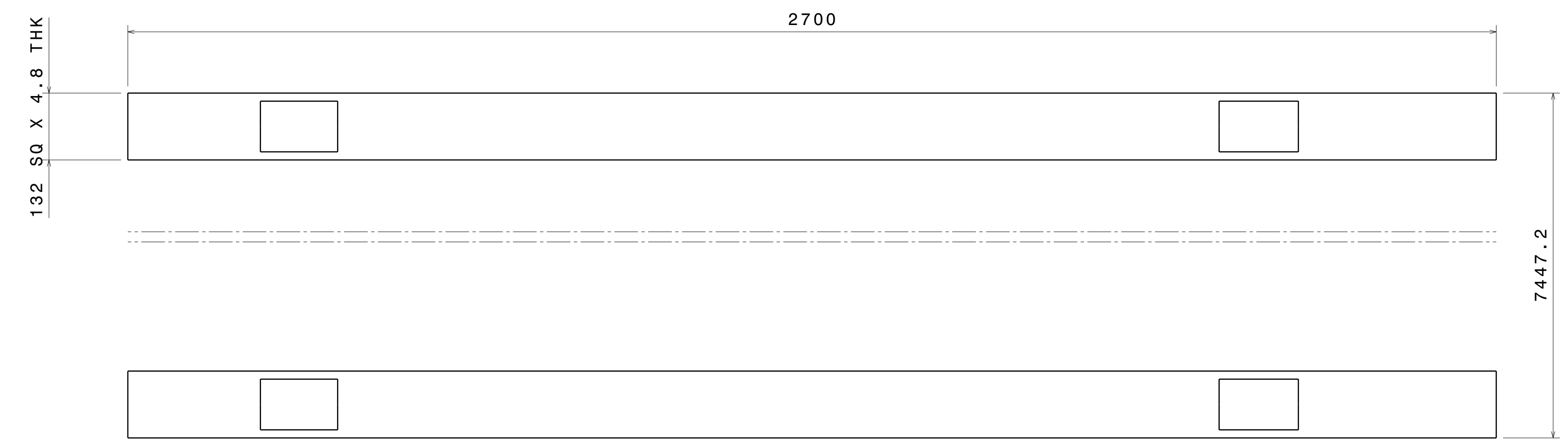


ITEM 3, QTY 3
BROKEN VIEW

Right view
Scale: 1:2

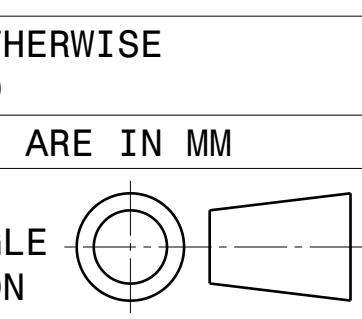


ITEM 6, QTY 3



GUIDE SUPPORT SYSTEM FOR GATE
DIMENSIONS ARE FOR REFERENCE ONLY

UNLESS OTHERWISE SPECIFIED DIMENSION ARE IN MM
VIEWS: THIRD ANGLE PROJECTION



This drawing is our property. It can't be reproduced or communicated without our written agreement.		APL APOLLO TUBES LTD.	
DRAWN BY SB		DATE 1/28/2020	
CHECKED BY P2P Analysis & Solutions		DATE 1/28/2020	
DESIGNED BY P2P Analysis & Solutions		DATE 1/28/2020	
DRAWING TITLE GATE 39		SIZE A0	DRAWING NUMBER P2P_APL_00039
SCALE NONE		WEIGHT (kg) XXX	REV 00
SHEET 3		SHEET 3	