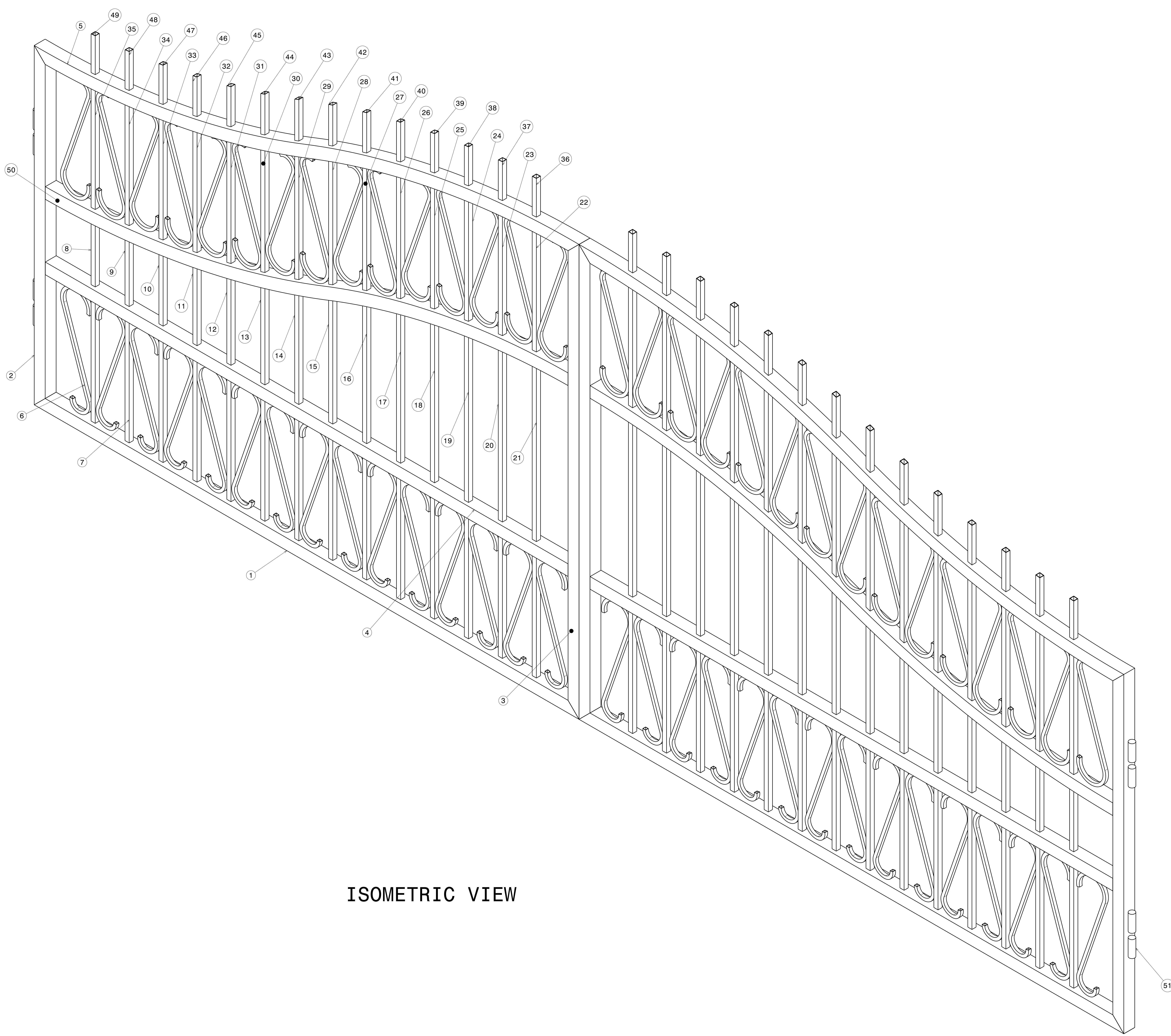


REV/DATE	DESCRIPTION
00 / 2/25/2020	INITIAL REVISION



ISOMETRIC VIEW

- NOTES:
- (⊥) ALL VERTICAL SUPPORTS ARE PERPENDICULAR.
  - FLATNESS OF .5MM IS APPLIED BY DEFAULT.
  - △ WELD BEAD OF 2MM RADIUS IS FOLLOWED.
  - ▽ SURFACE FINISH MEDIUM TO SMOOTH IS USED.
  - ALL TUBES ARE AS PER APL APOLLO STANDARD. CHANGES MAY EFFECT THE LOAD CAPACITY.
  - DUAL DIMENSIONS USED WITH BOTH METRIC AND INCH SYSTEM.
  - ALL HORIZONTAL AND VERTICAL TUBES ARE PERPENDICULAR TO EACH OTHER WITH ±1 DEG.
  - FINE WELDING IS REQUIRED AS PER MENTIONED DETAILS AND FINISHING.
  - HIGHER CURRENT WELDING MAY AFFECT THE BRITTLENESS OF MATERIAL WHICH LATER MAY RAISE TO WEAKENING OF STRUCTURE.

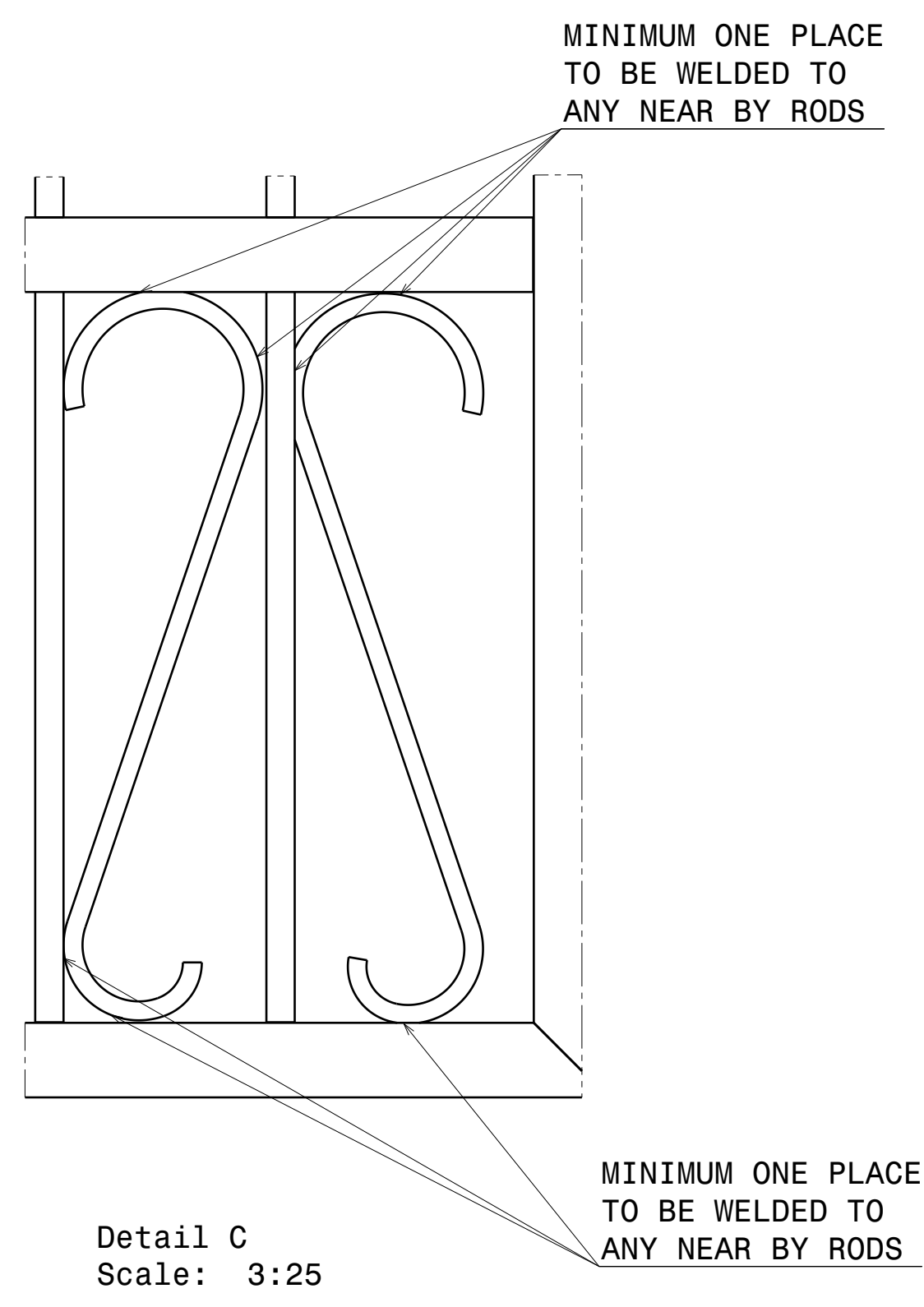
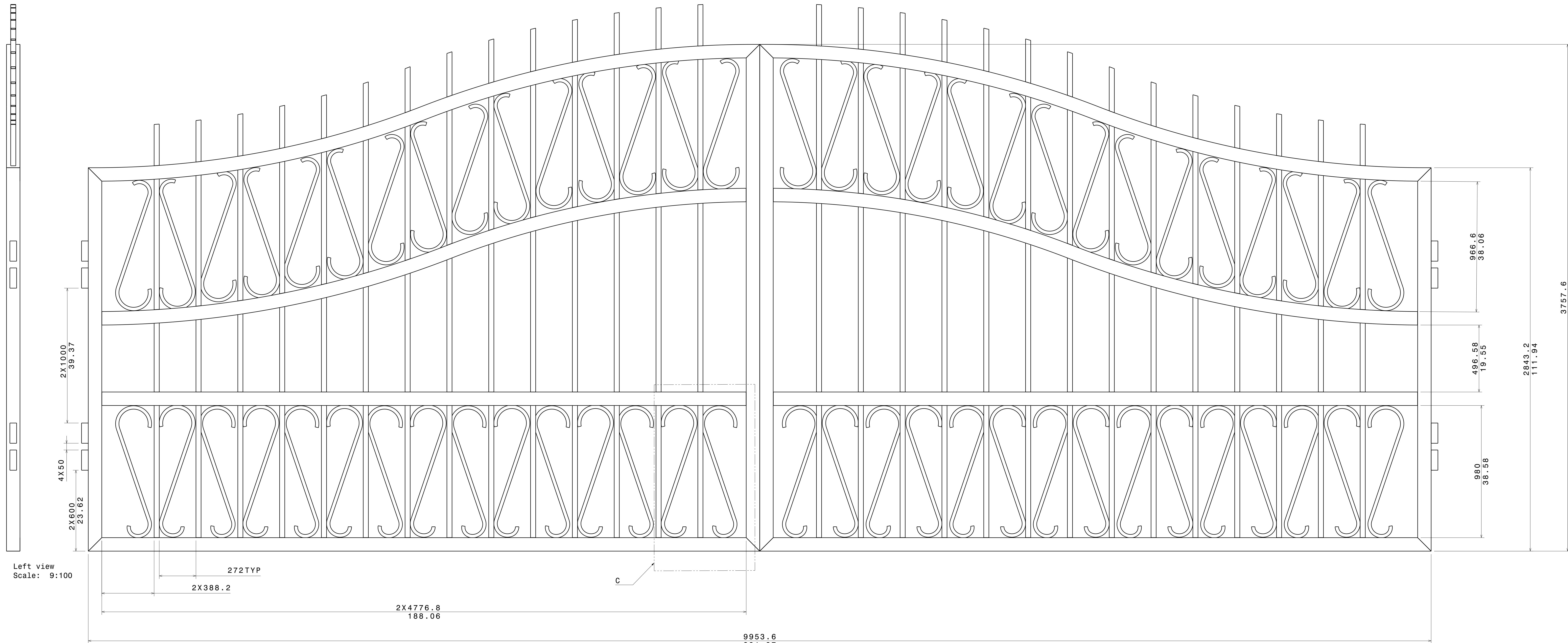
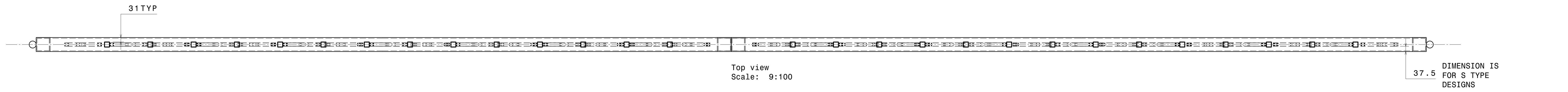
51	HINGE	SEE DETAILS	8
50	Square Tube 29 Frame 1 - Curved	SEE DETAILS	2
49	Square Tube 26 Medium 43	SEE DETAILS	2
48	Square Tube 26 Medium 42	SEE DETAILS	2
47	Square Tube 26 Medium 41	SEE DETAILS	2
46	Square Tube 26 Medium 40	SEE DETAILS	2
45	Square Tube 26 Medium 39	SEE DETAILS	2
44	Square Tube 26 Medium 38	SEE DETAILS	2
43	Square Tube 26 Medium 37	SEE DETAILS	2
42	Square Tube 26 Medium 36	SEE DETAILS	2
41	Square Tube 26 Medium 35	SEE DETAILS	2
40	Square Tube 26 Medium 34	SEE DETAILS	2
39	Square Tube 26 Medium 33	SEE DETAILS	2
38	Square Tube 26 Medium 32	SEE DETAILS	2
37	Square Tube 26 Medium 31	SEE DETAILS	2
36	Square Tube 26 Medium 30	SEE DETAILS	2
35	Square Tube 26 Medium 29	SEE DETAILS	2
34	Square Tube 26 Medium 28	SEE DETAILS	2
33	Square Tube 26 Medium 27	SEE DETAILS	2
32	Square Tube 26 Medium 26	SEE DETAILS	2
31	Square Tube 26 Medium 25	SEE DETAILS	2
30	Square Tube 26 Medium 24	SEE DETAILS	2
29	Square Tube 26 Medium 23	SEE DETAILS	2
28	Square Tube 26 Medium 22	SEE DETAILS	2
27	Square Tube 26 Medium 21	SEE DETAILS	2
26	Square Tube 26 Medium 20	SEE DETAILS	2
25	Square Tube 26 Medium 19	SEE DETAILS	2
24	Square Tube 26 Medium 18	SEE DETAILS	2
23	Square Tube 26 Medium 17	SEE DETAILS	2
22	Square Tube 26 Medium 16	SEE DETAILS	2
21	Square Tube 26 Medium 15	SEE DETAILS	2
20	Square Tube 26 Medium 14	SEE DETAILS	2
19	Square Tube 26 Medium 13	SEE DETAILS	2
18	Square Tube 26 Medium 12	SEE DETAILS	2
17	Square Tube 26 Medium 11	SEE DETAILS	2
16	Square Tube 26 Medium 10	SEE DETAILS	2
15	Square Tube 26 Medium 9	SEE DETAILS	2
14	Square Tube 26 Medium 8	SEE DETAILS	2
13	Square Tube 26 Medium 7	SEE DETAILS	2
12	Square Tube 26 Medium 6	SEE DETAILS	2
11	Square Tube 26 Medium 5	SEE DETAILS	2
10	Square Tube 26 Medium 4	SEE DETAILS	2
9	Square Tube 26 Medium 3	SEE DETAILS	2
8	Square Tube 26 Medium 2	SEE DETAILS	2
7	Square Tube 26 Medium 1	38 X 38 X 2 X 2979.2	28
6	CURVED DESIGN	SEE DETAILS	60
5	Square Tube 29 Frame 1 - Curved	SEE DETAILS	2
4	Square Tube 29 Frame 4	100 X 100 X 6 X 4775.2	2
3	Square Tube 29 Frame 3	100 X 100 X 6 X 3757.6	2
2	Square Tube 29 Frame 2	100 X 100 X 6 X 2843.2	2
1	Square Tube 29 Frame 1	100 X 100 X 6 X 3759.2	2

ITEM NO.	PART DESCRIPTION	DESCRIPTION	QUANTITY
This drawing is our property. It can't be reproduced or communicated without our written agreement.			
DRAWN BY		DATE	DRAWING TITLE
SB		2/25/2020	
CHECKED BY		DATE	GATE 29
P2P Analysis & Solutions		2/25/2020	
DESIGNED BY		DATE	SIZE
P2P Analysis & Solutions		2/25/2020	A0
			DRAWING NUMBER
			P2P APL 00029
			REV
			00
			SCALE
			NONE
			WEIGHT (kg)
			1268
			SHEET
			1

UNLESS OTHERWISE SPECIFIED DIMENSION ARE IN MM VIEWS: THIRD ANGLE PROJECTION



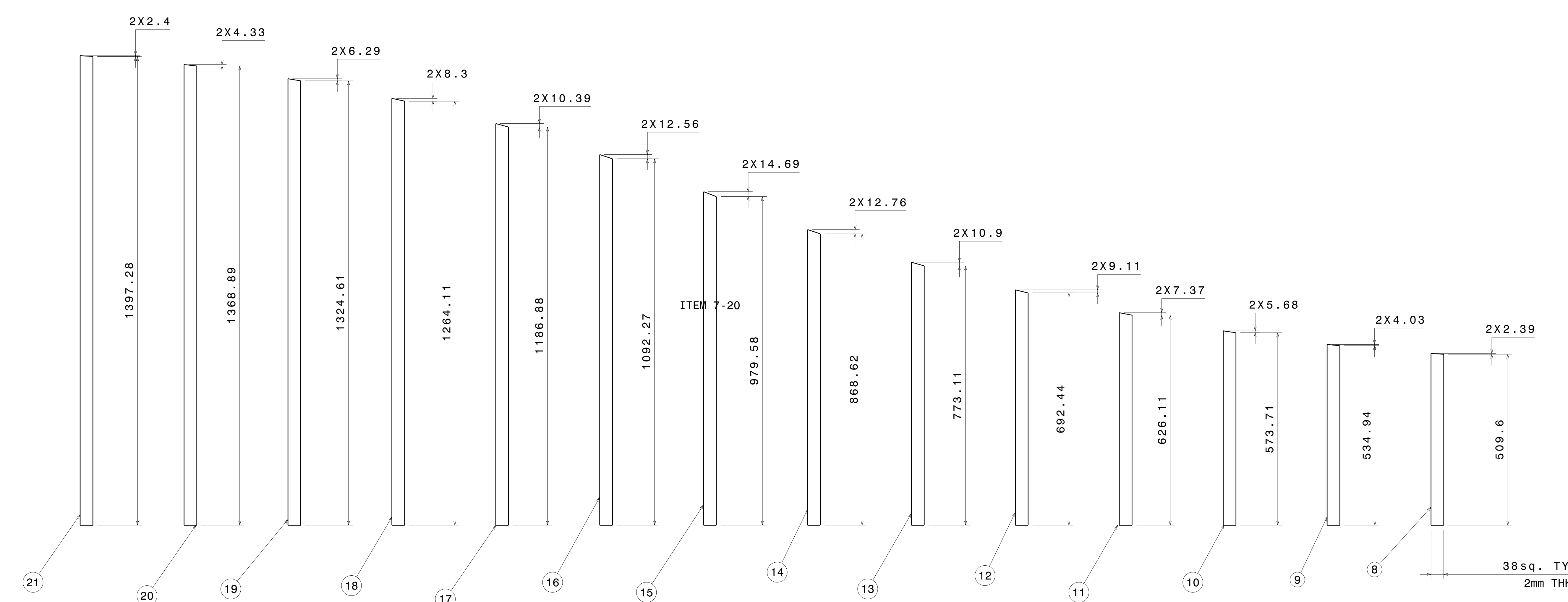
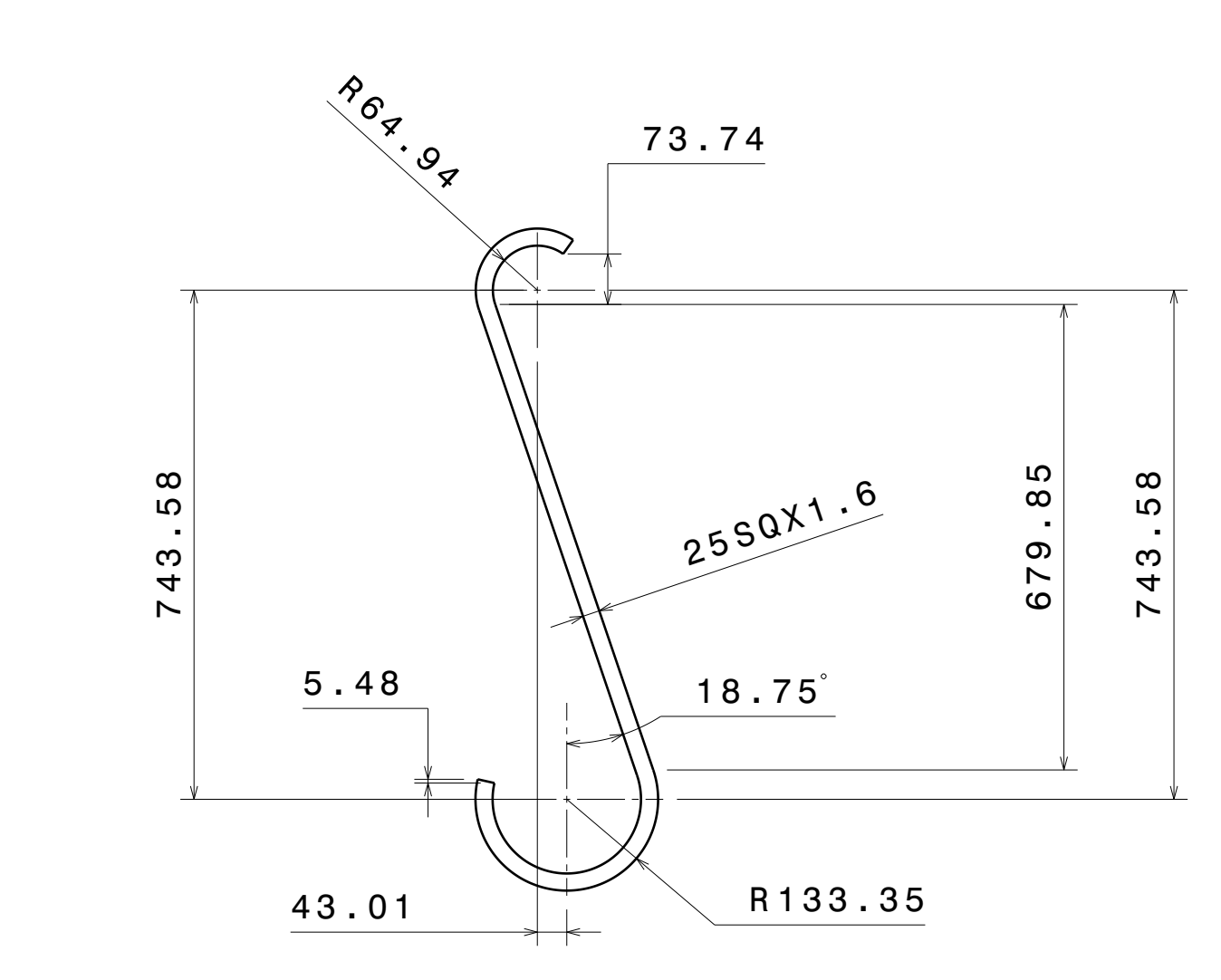
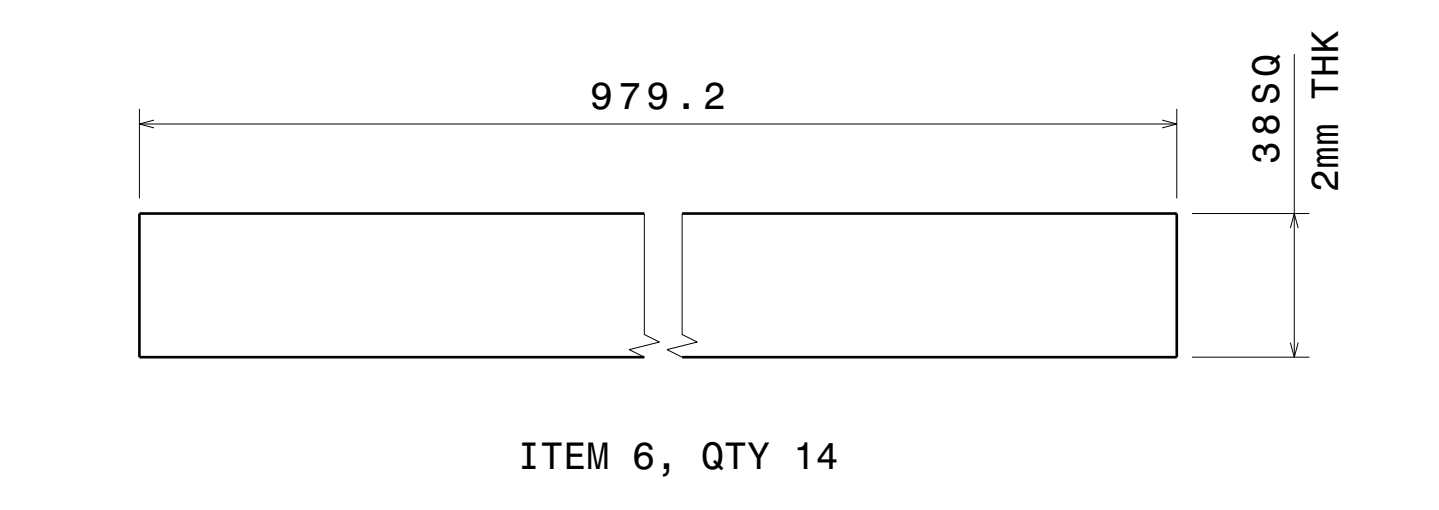
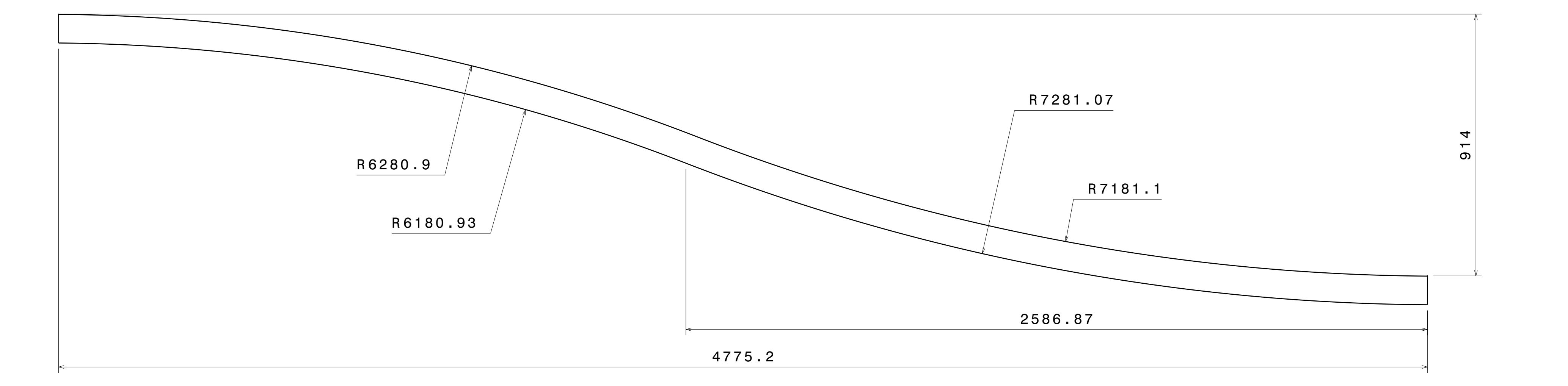
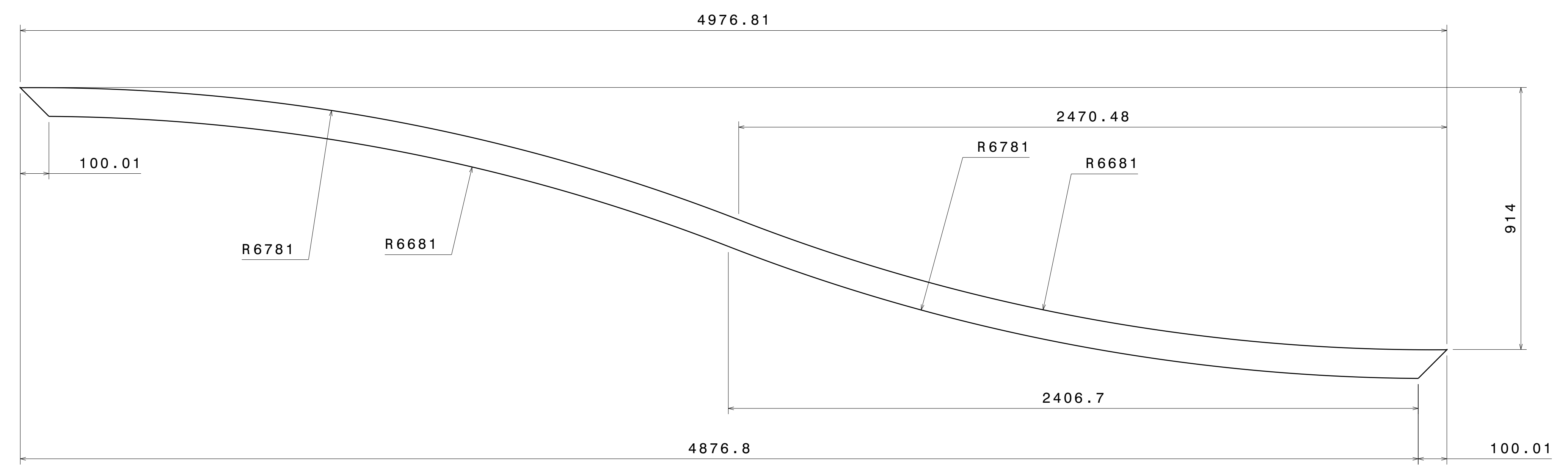
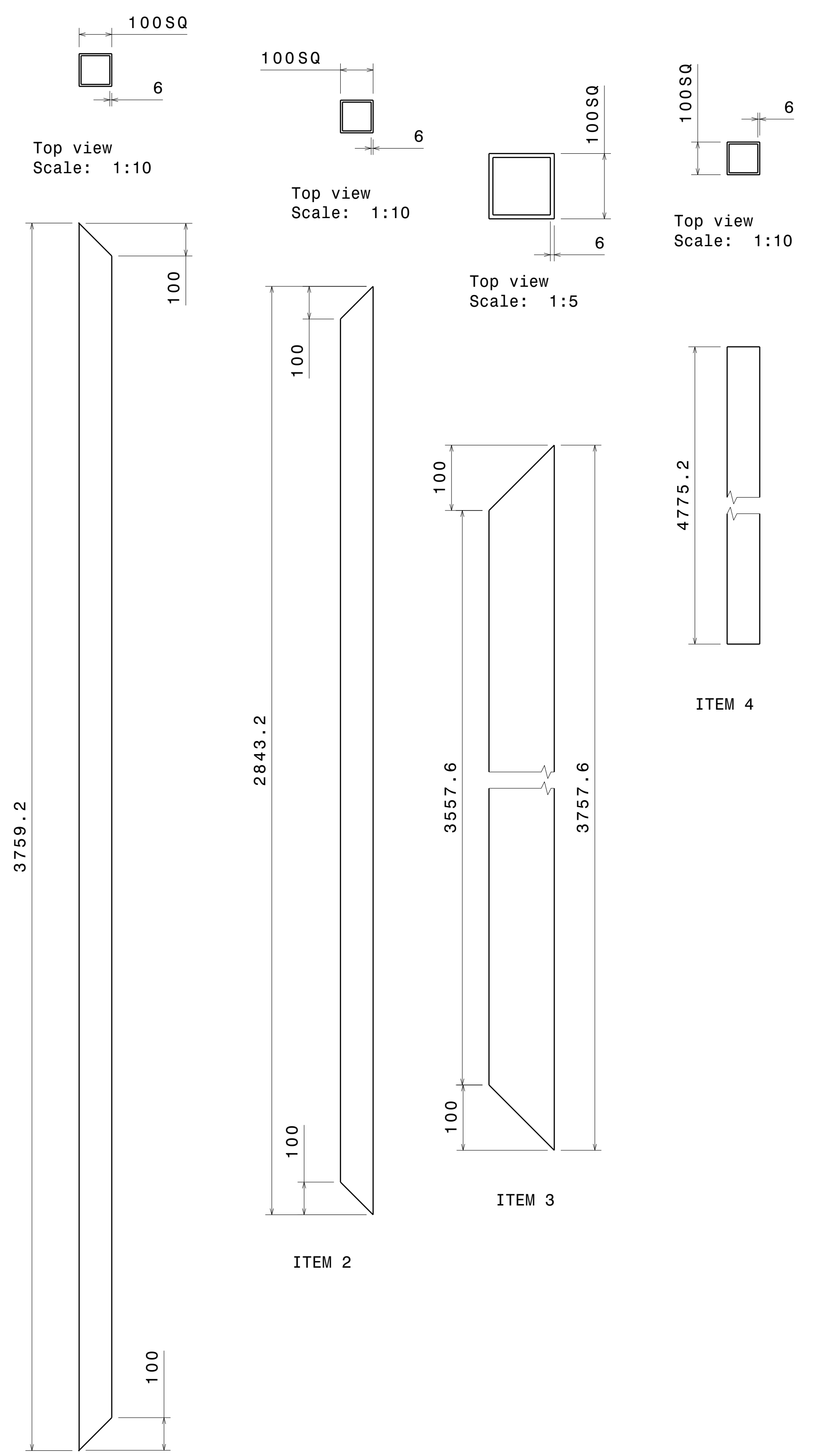
REV	DATE	DESCRIPTION
00	2/25/2020	INITIAL REVISION



UNLESS OTHERWISE SPECIFIED DIMENSION ARE IN MM  
VIEWS: THIRD ANGLE PROJECTION

This drawing is our property. It can't be reproduced or communicated without our written agreement.		APL APOLLO TUBES LTD.	
DRAWN BY: SB		DRAWING TITLE: GATE 29	
CHECKED BY: P2P Analysis & Solutions	DATE: 2/25/2020	SIZE: A0	DRAWING NUMBER: P2P APL 00029
DESIGNED BY: P2P Analysis & Solutions	DATE: 2/25/2020	SCALE: NONE	WEIGHT (kg): XXX
		SHEET 2	

REV	DATE	DESCRIPTION
00	2/25/2020	INITIAL REVISION



ITEM 6, QTY 60

ITEM 5  
100SQ X 6mm THICK

ITEM 50  
100SQ X 6mm THICK

ITEM 6, QTY 14

38sq. TYP  
2mm THK

This drawing is our property. It can't be reproduced or communicated without our written agreement.

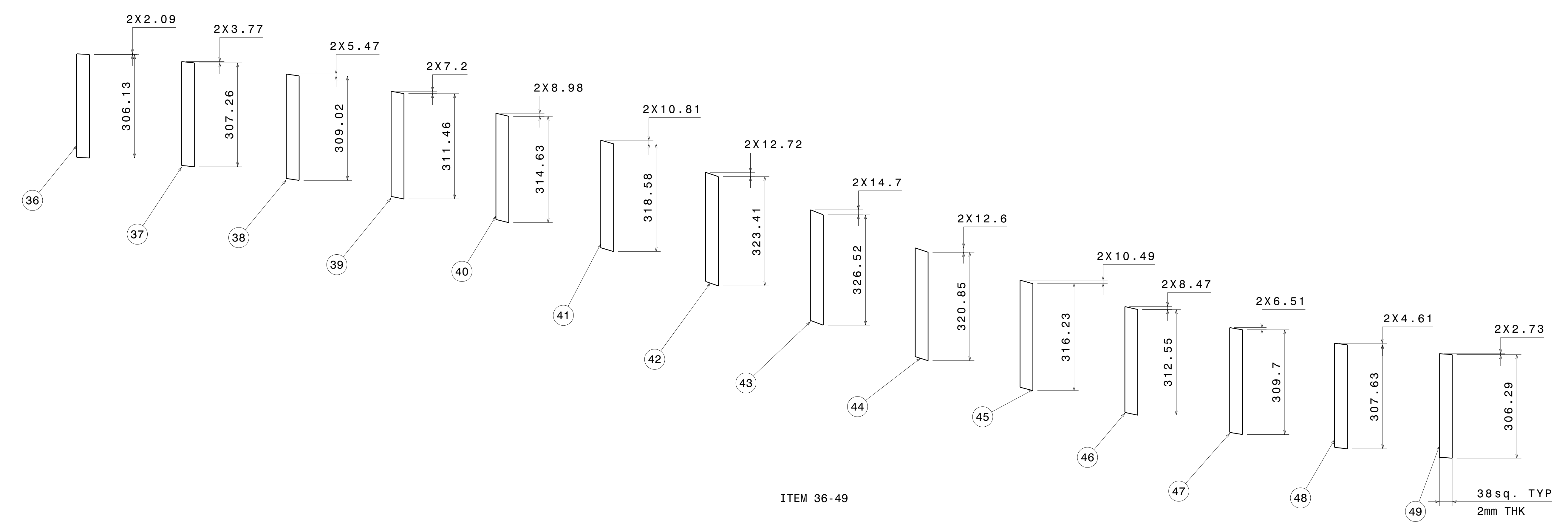
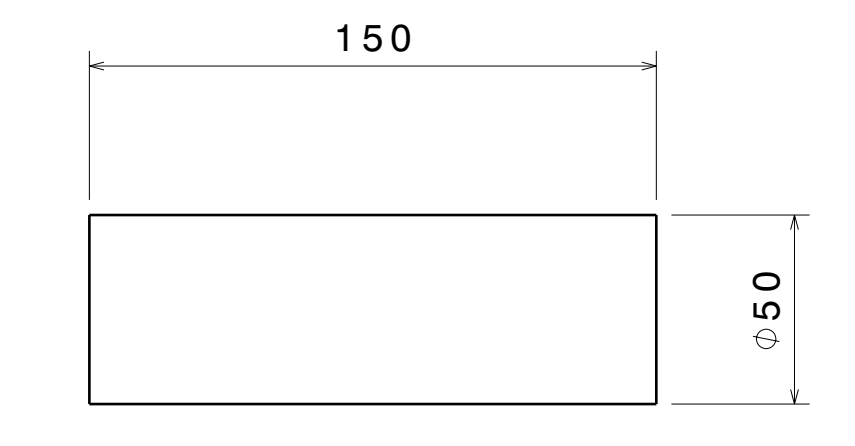
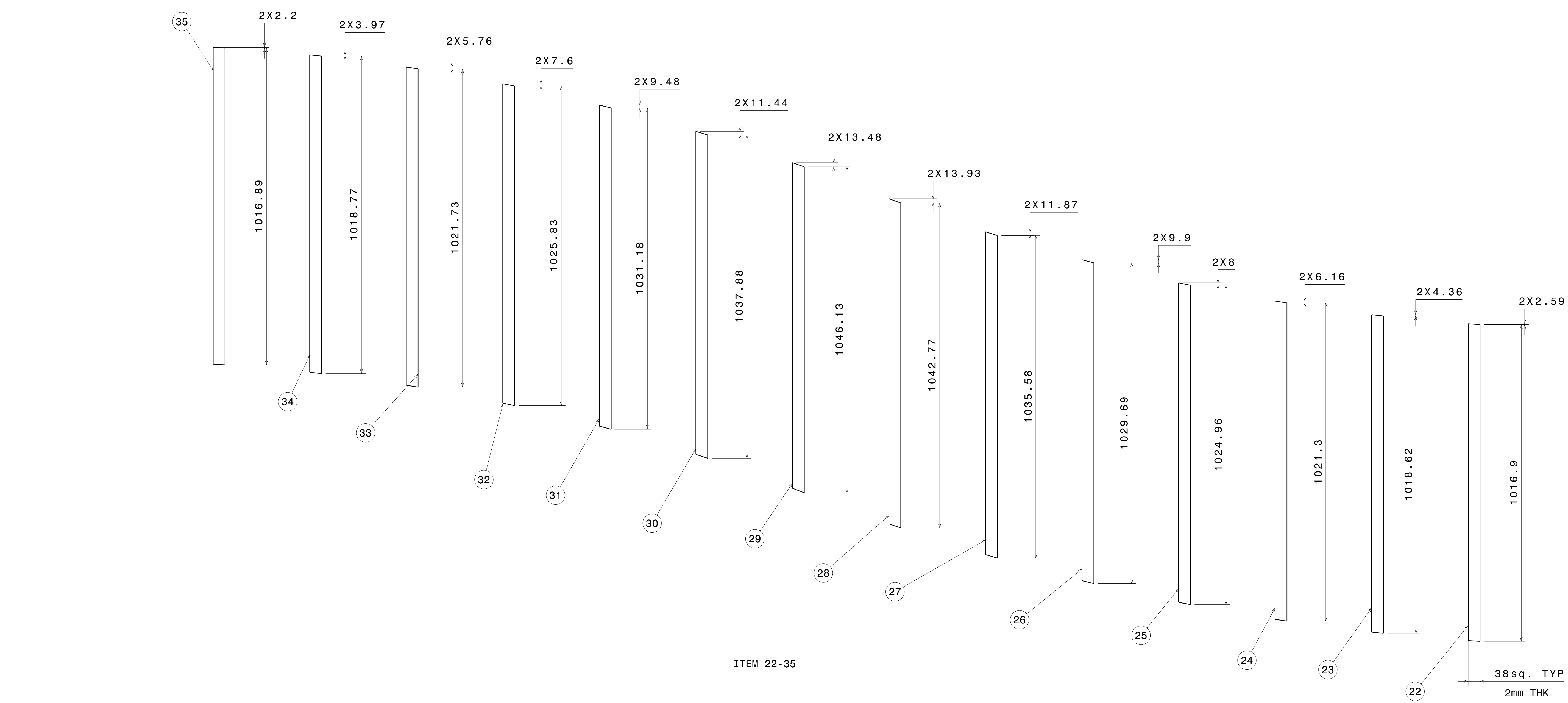
APL APOLLO TUBES LTD.


DRAWN BY	DATE
SB	2/25/2020
CHECKED BY	DATE
P2P Analysis & Solutions	2/25/2020
DESIGNED BY	DATE
P2P Analysis & Solutions	2/25/2020

DRAWING TITLE		GATE 29	
SIZE	DRAWING NUMBER	REV	
A0	P2P APL 00029	00	
SCALE	WEIGHT (kg)	XXX	SHEET
NONE			3

UNLESS OTHERWISE SPECIFIED DIMENSION ARE IN MM VIEWS: THIRD ANGLE PROJECTION

REV	DATE	DESCRIPTION
00	2/25/2020	INITIAL REVISION



This drawing is our property. It can't be reproduced or communicated without our written agreement.		APL APOLLO TUBES LTD. 	
DRAWN BY SB		DATE 2/25/2020	
CHECKED BY P2P Analysis & Solutions		DATE 2/25/2020	
DESIGNED BY P2P Analysis & Solutions		DATE 2/25/2020	
DRAWING TITLE GATE 29		SIZE A0	DRAWING NUMBER P2P APL_00029
SCALE NONE		WEIGHT (kg) XXX	SHEET 4

UNLESS OTHERWISE SPECIFIED  
DIMENSION ARE IN MM  
VIEWS:  
THIRD ANGLE PROJECTION

