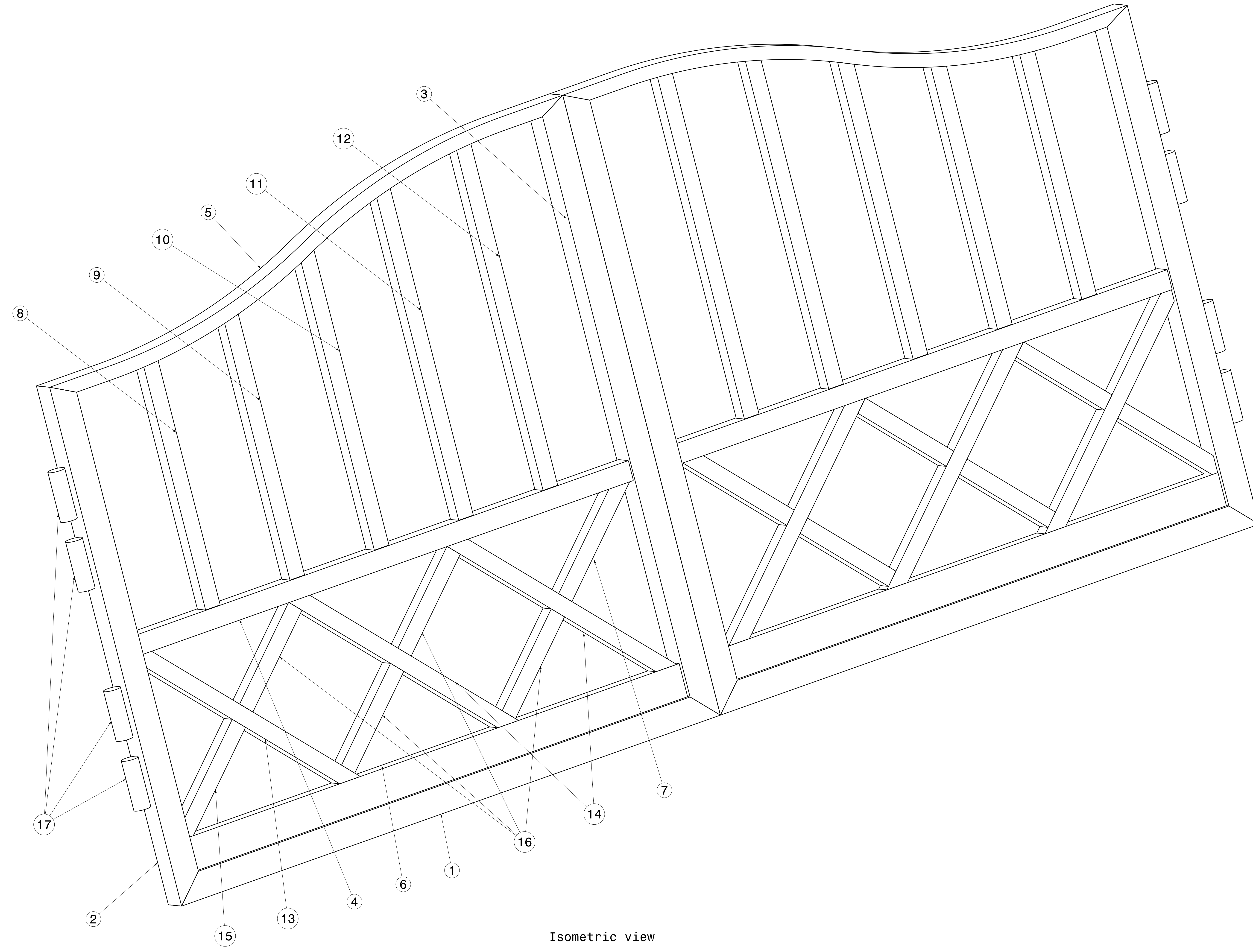


REV/DATE	DESCRIPTION
A / 1/28/2020	INITIAL REVISION

- NOTES:
- (⊥) ALL VERTICAL SUPPORTS ARE PERPENDICULAR.
 - FLATNESS OF .5MM IS APPLIED BY DEFAULT.
 - ⊲ WELD BEAD OF 2MM RADIUS IS FOLLOWED.
 - ▽▽ SURFACE FINISH MEDIUM TO SMOOTH IS USED.
 - ALL TUBES ARE AS PER APL APOLLO STANDARD. CHANGES MAY EFFECT THE LOAD CAPACITY.
 - DUAL DIMENSIONS USED WITH BOTH METRIC AND INCH SYSTEM.
 - ALL HORIZONTAL AND VERTICAL TUBES ARE PERPENDICULAR TO EACH OTHER WITH ±1 DEG.
 - FINE WELDING IS REQUIRED AS PER MENTIONED DETAILS AND FINISHING.
 - HIGHER CURRENT WELDING MAY AFFECT THE BRITTLENESS OF MATERIAL WHICH LATER MAY RAISE TO WEAKENING OF STRUCTURE.



ITEM NO.	PART NUMBER	DESCRIPTION	QTY.
17		Hinge	8
16	Sq tube 24.1 Frame 14	49.5 X 49.5 X 2.6 X 330	8
15	Sq tube 24.1 Frame 13	49.5 X 49.5 X 2.6 X 365	2
14	Sq tube 24.1 Frame 12	49.5 X 49.5 X 2.6 X 830	4
13	Sq tube 24.1 Frame 11	49.5 X 49.5 X 2.6 X 805.4	2
12	Sq tube 24.1 Frame 10	49.5 X 49.5 X 2.9 X 1032.8	2
11	Sq tube 24.1 Frame 9	49.5 X 49.5 X 2.9 X 989.7	2
10	Sq tube 24.1 Frame 8	49.5 X 49.5 X 2.9 X 895.2	2
9	Sq tube 24.1 Frame 7	49.5 X 49.5 X 2.9 X 791.6	2
8	Sq tube 24.1 Frame 6	49.5 X 49.5 X 2.9 X 740	2
7	Sq tube 24.1 Frame 5	49.5 X 49.5 X 2.6 X 390	2
6	Rect Tube 24.1 Frame 2	100 X 50 X 3.6 X 1668.8	2
5	Rect Tube 24.1 Frame 1	80 X 40 X 2.6X 1872	2
4	Sq tube 24.1 Frame 4	60 X 60 X 3.2 X 1668.8	2
3	Sq tube 24.1 Frame 3	80 X 80 X 3.2 X 1868.8	2
2	Sq tube 24.1 Frame 2	80 X 80 X 3.2 X 1564	2
1	Sq tube 24.1 Frame 1	80 X 80 X 3.2 X 1828.8	2

This drawing is our property. It can't be reproduced or communicated without our written agreement.

APL APOLLO TUBES LTD.

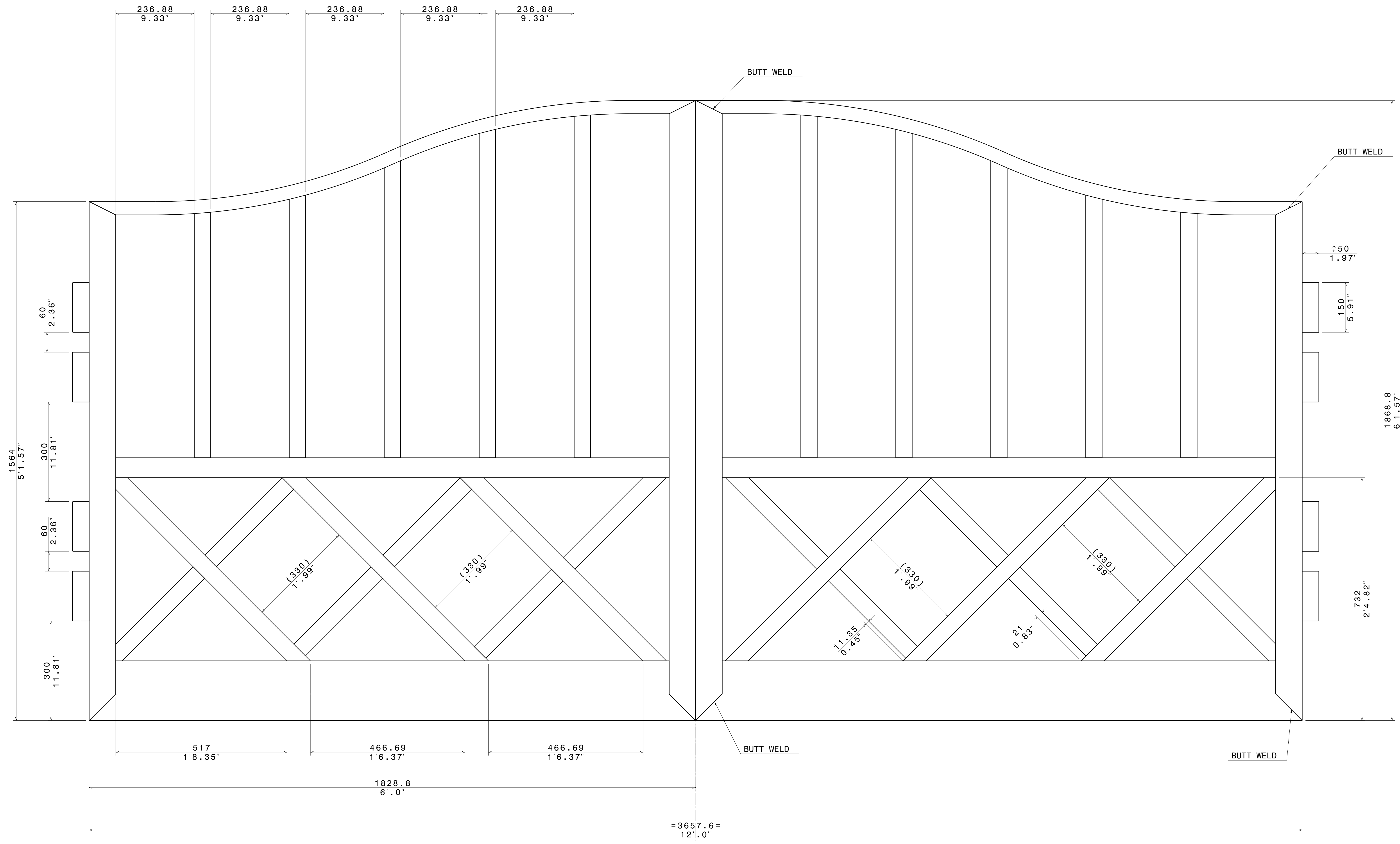
DRAWING TITLE
GATE 24

DRAWN BY SB	DATE 1/28/2020	CHECKED BY P2P Analysis & Solutions	DATE 1/28/2020	DESIGNED BY P2P Analysis & Solutions	DATE 1/28/2020	SIZE A0	DRAWING NUMBER P2P APL 00024	REV 00
UNLESS OTHERWISE SPECIFIED DIMENSION ARE IN MM		VIEWS: THIRD ANGLE PROJECTION				SCALE NONE	WEIGHT (kg) 250	SHEET 1

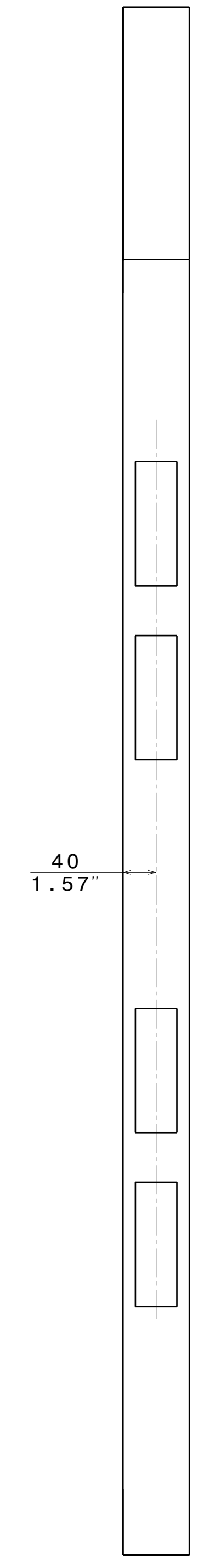
UNLESS OTHERWISE SPECIFIED DIMENSION ARE IN MM

VIEWS: THIRD ANGLE PROJECTION

REV	DATE	DESCRIPTION
00	1/28/2020	INITIAL REVISION

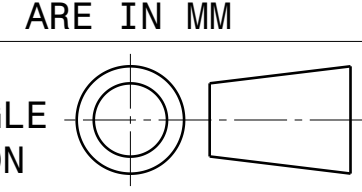


Front view
Scale: 1:5




Right view
Scale: 1:5

UNLESS OTHERWISE SPECIFIED DIMENSION ARE IN MM VIEWS: THIRD ANGLE PROJECTION

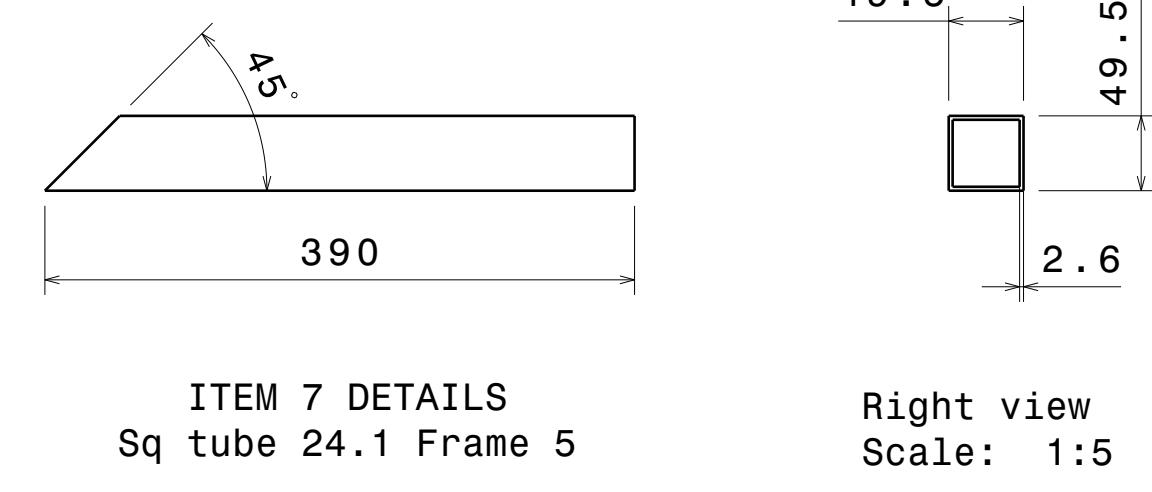


This drawing is our property. It can't be reproduced or communicated without our written agreement.

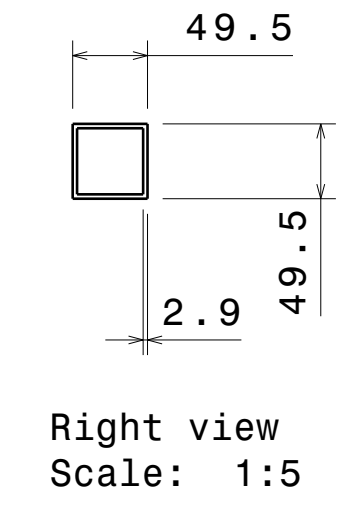
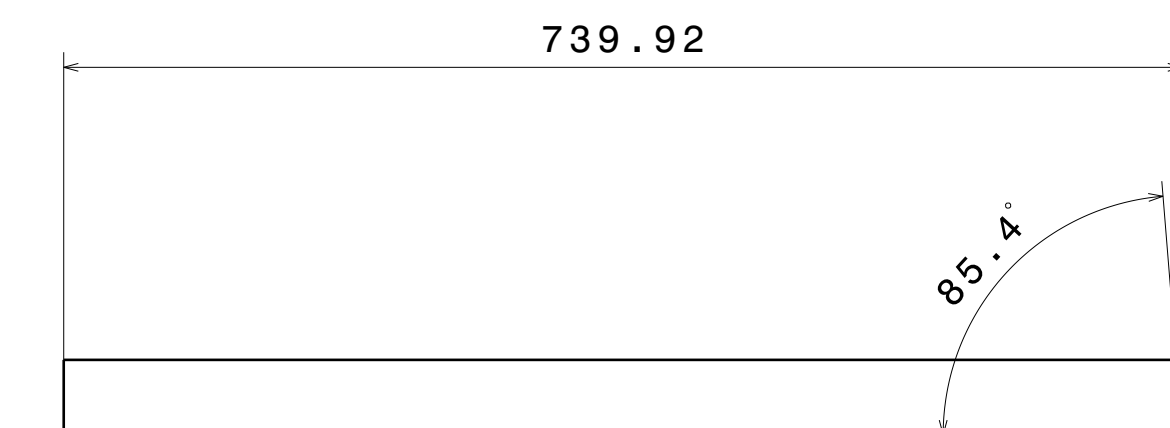
DRAWN BY	DATE
SB	1/28/2020
CHECKED BY	DATE
P2P Analysis & Solutions	1/28/2020
DESIGNED BY	DATE
P2P Analysis & Solutions	1/28/2020

APL APOLLO TUBES LTD. 	
DRAWING TITLE	
GATE 24	
SIZE	DRAWING NUMBER
A0	P2P APL_00024
SCALE	WEIGHT (kg)
NONE	XXX
SHEET	2

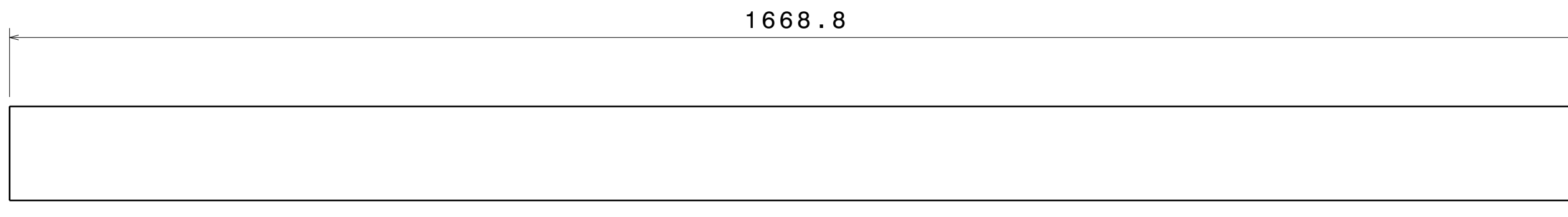
REV	DATE	DESCRIPTION
00	1/28/2020	INITIAL REVISION



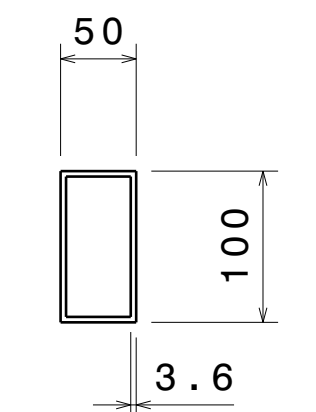
Right view
Scale: 1:5



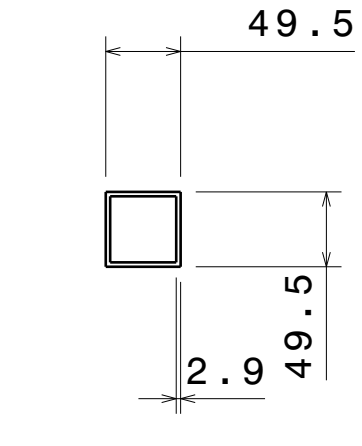
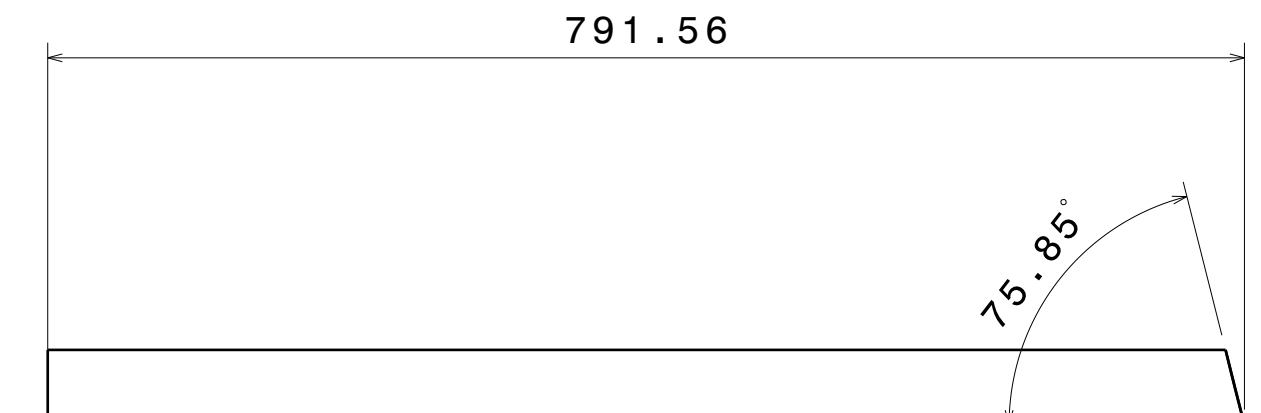
Right view
Scale: 1:5



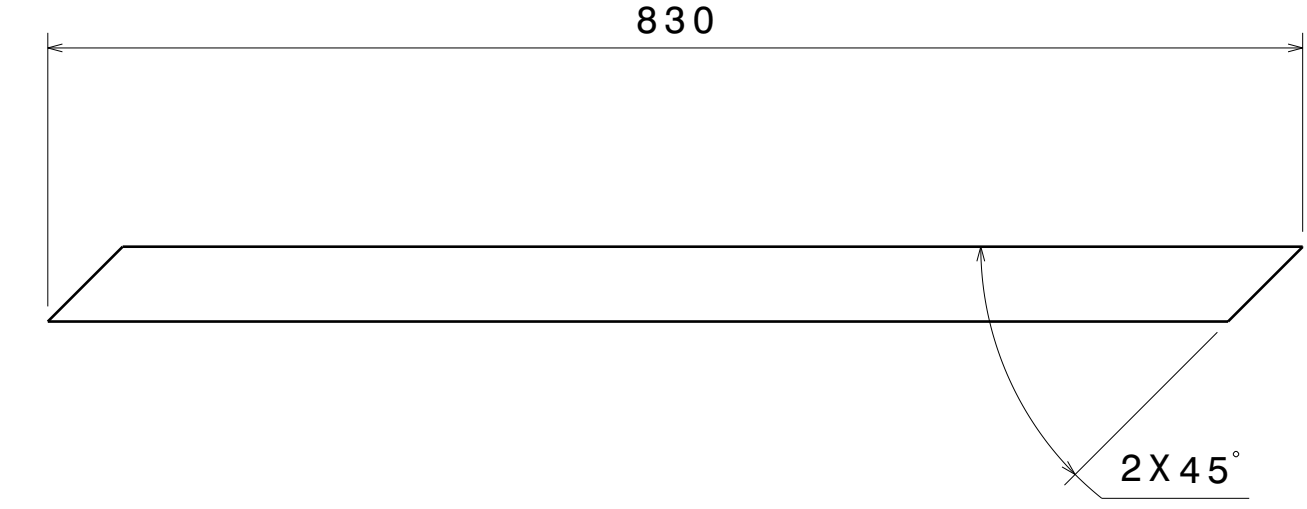
ITEM 6 DETAILS
Rect Tube 24.1 Frame 2



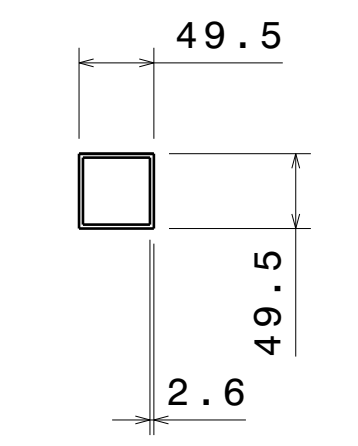
Right view
Scale: 1:5



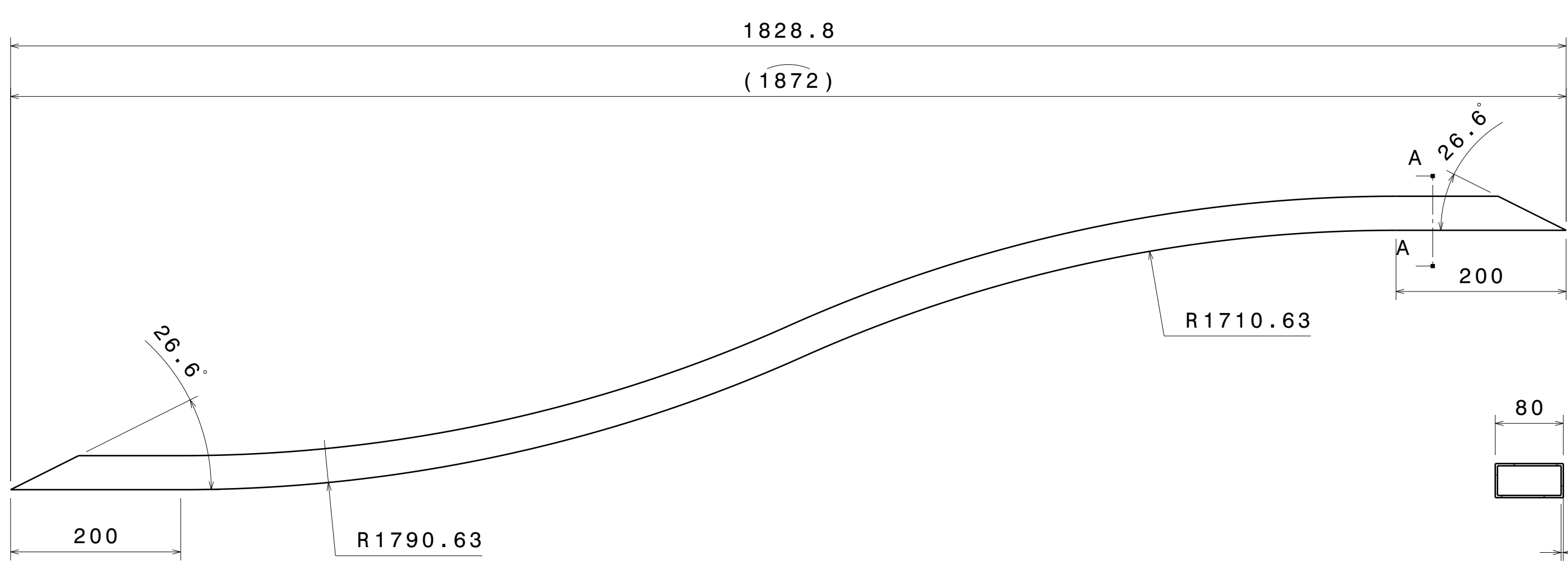
Right view
Scale: 1:5



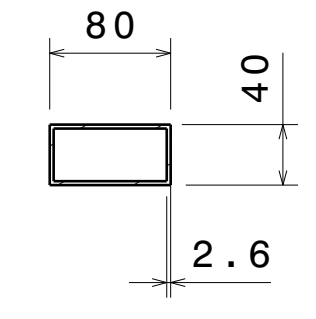
ITEM 14 DETAILS
Sq tube 24.1 Frame 12



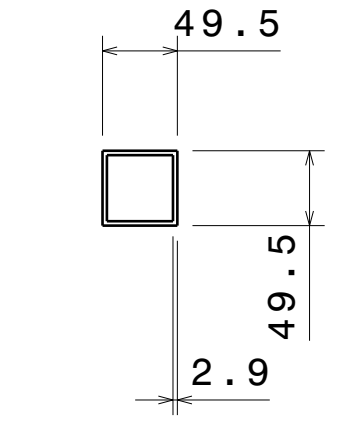
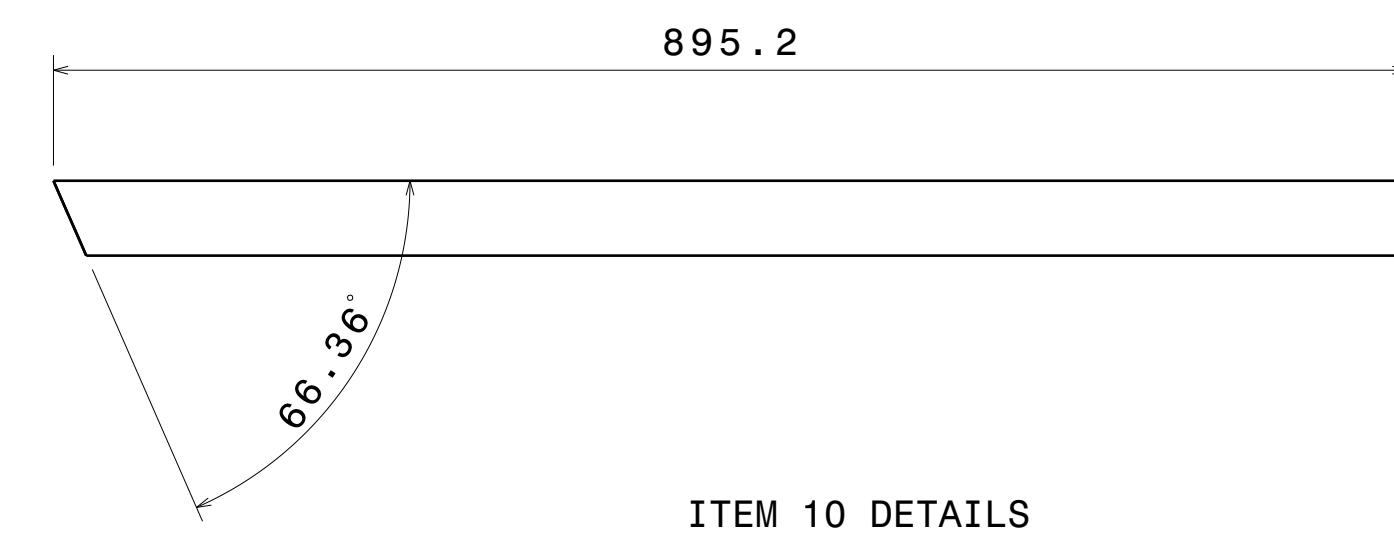
Right view
Scale: 1:5



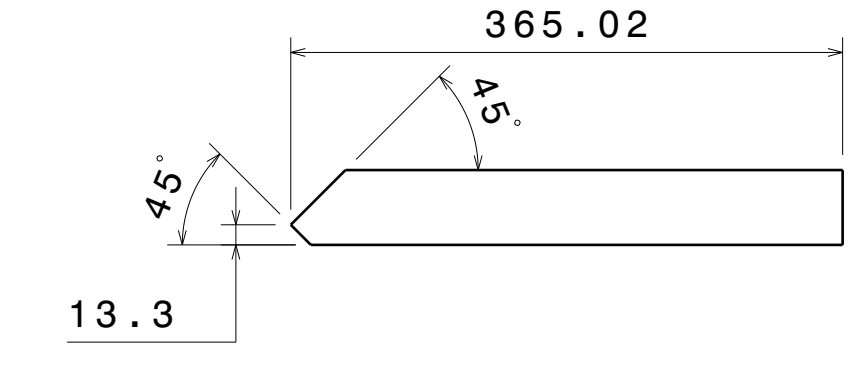
ITEM 5 DETAILS
Rect Tube 24.1 Frame 1



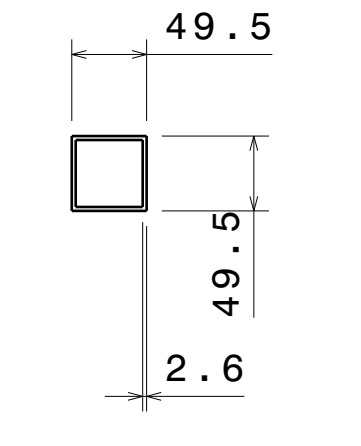
Section cut A-A
Scale: 1:5



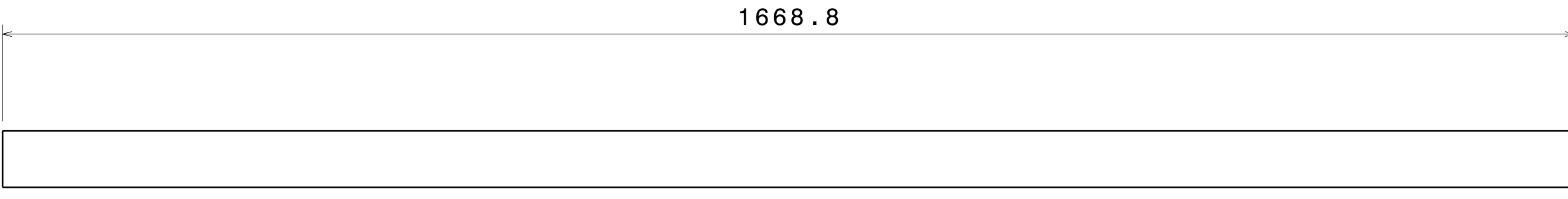
Right view
Scale: 1:5



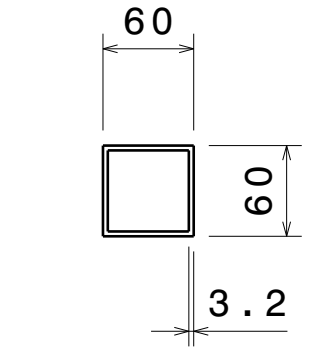
ITEM 15 DETAILS
Sq tube 24.1 Frame 13



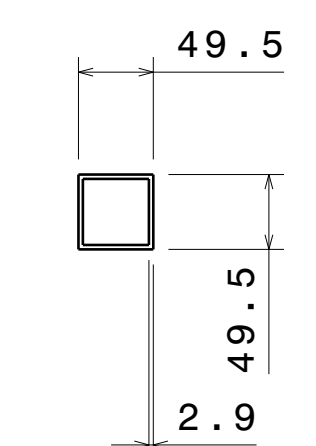
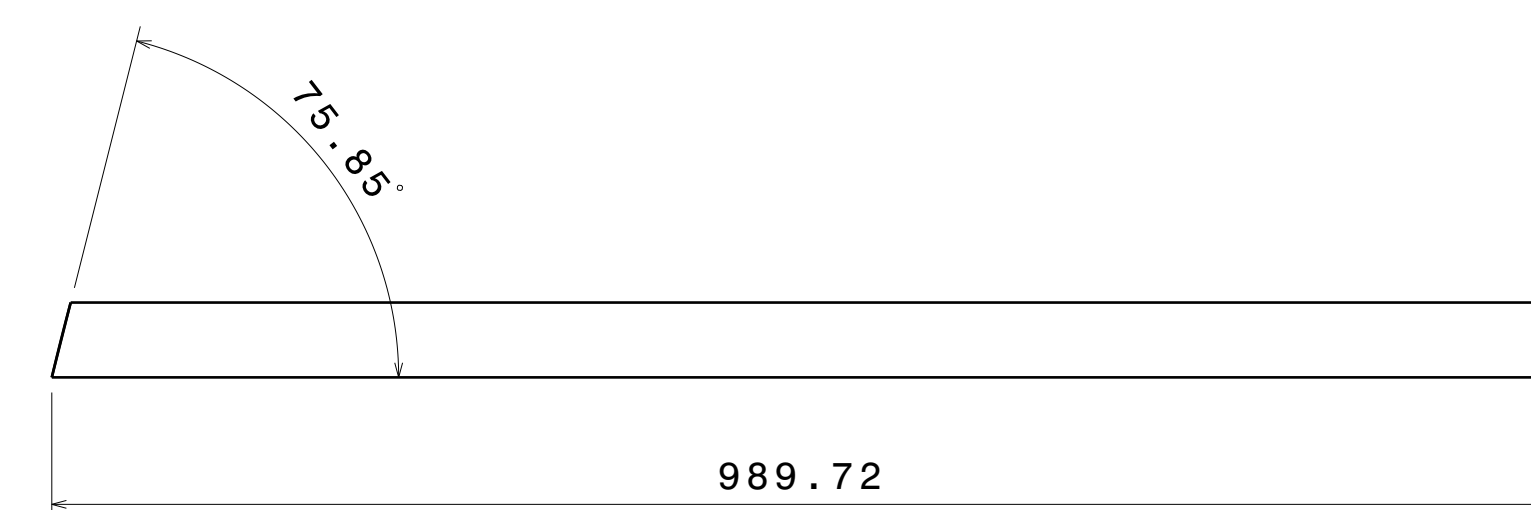
Right view
Scale: 1:5



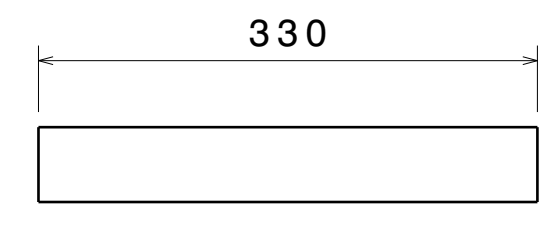
ITEM 4 DETAILS
Sq tube 24.1 Frame 4



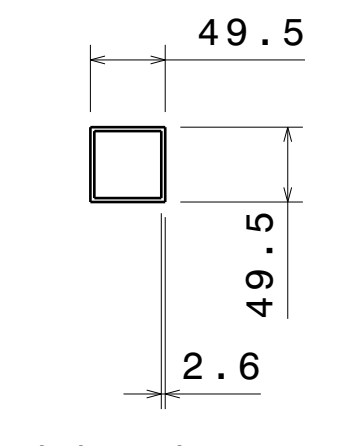
Right view
Scale: 1:5



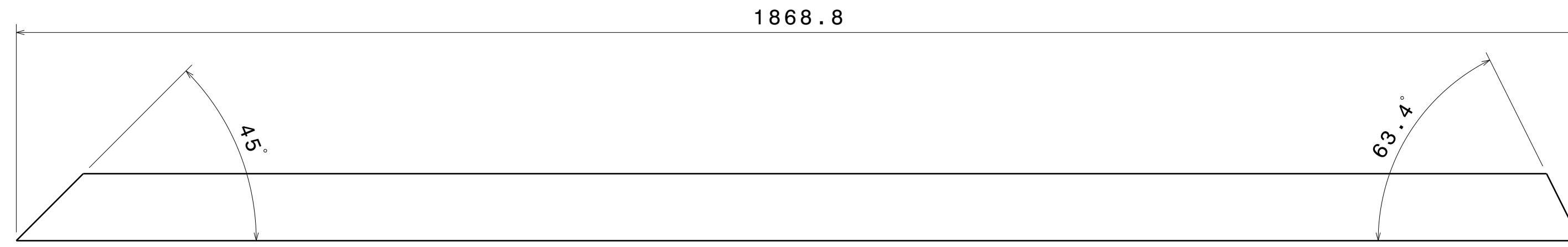
Right view
Scale: 1:5



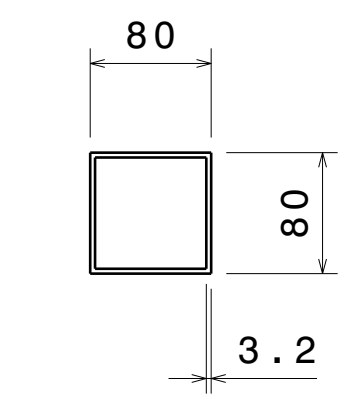
ITEM 16 DETAILS
Sq tube 24.1 Frame 14



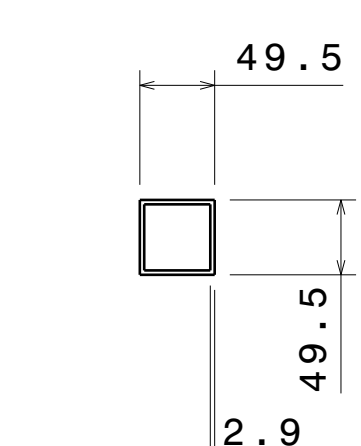
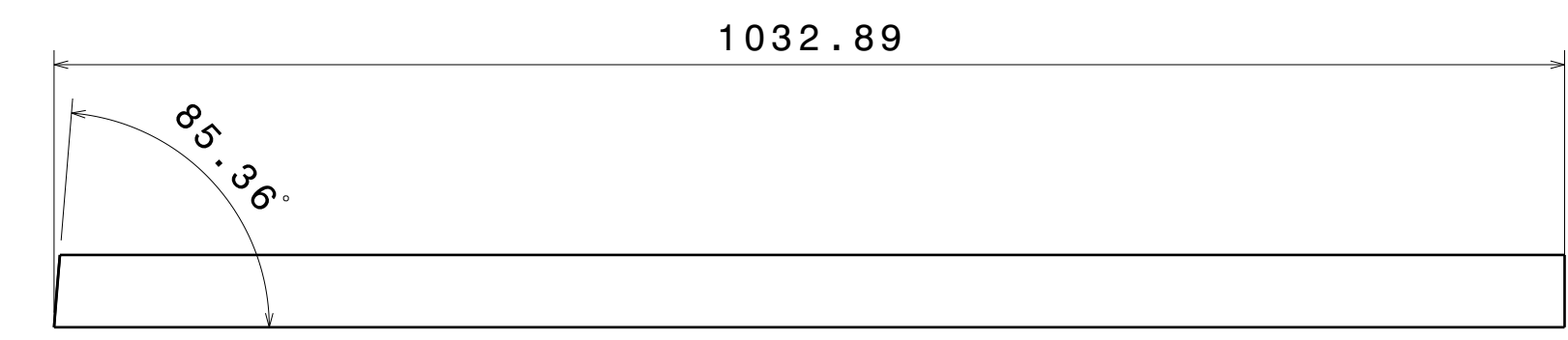
Right view
Scale: 1:5



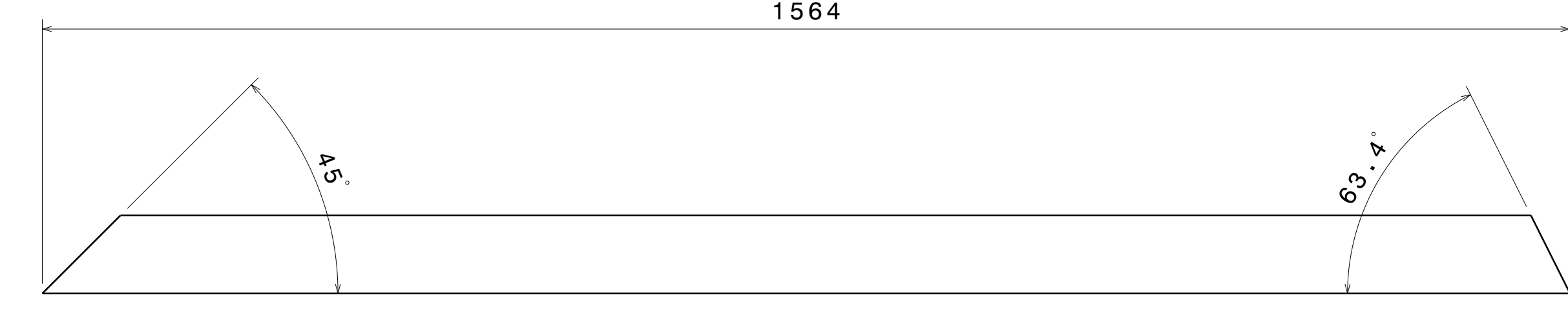
ITEM 3 DETAILS
Sq tube 24.1 Frame 3



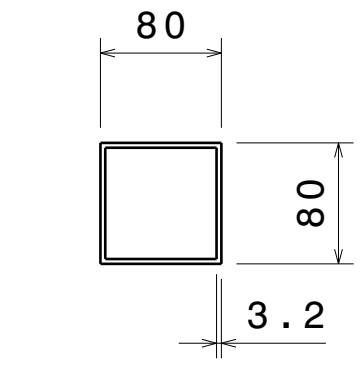
Right view
Scale: 1:5



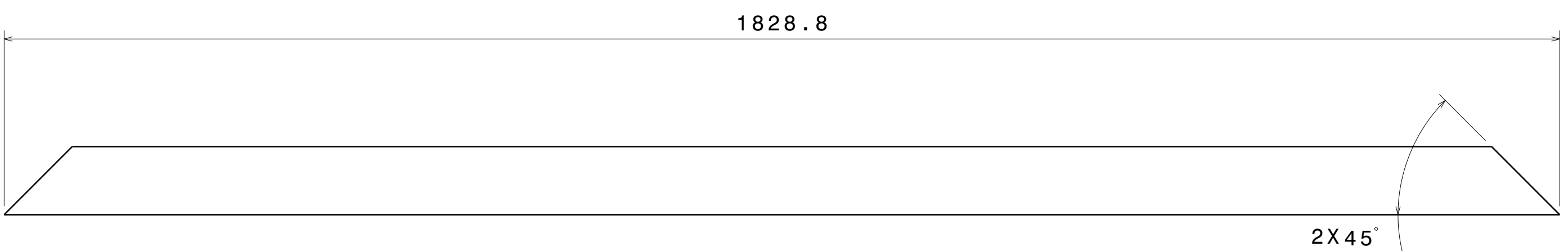
Right view
Scale: 1:5



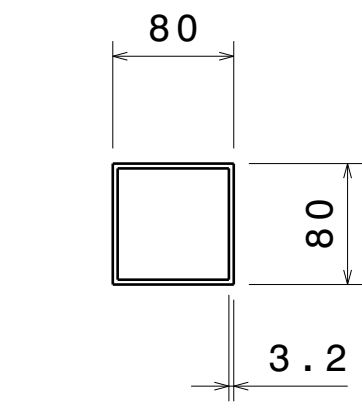
ITEM 2 DETAILS
Sq tube 24.1 Frame 2



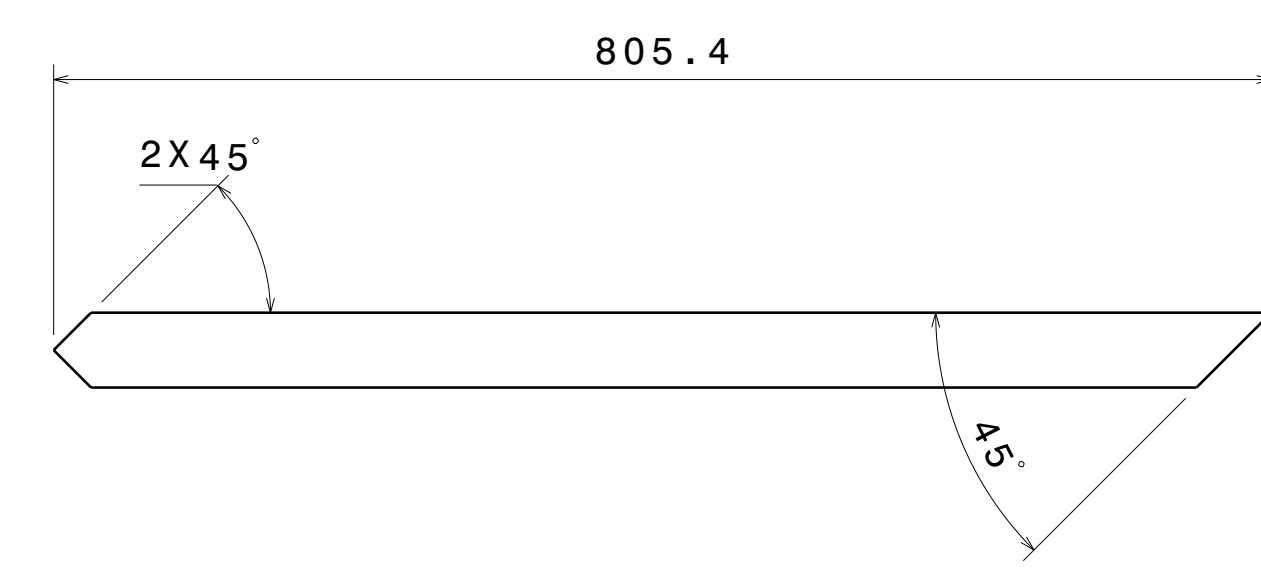
Right view
Scale: 1:5



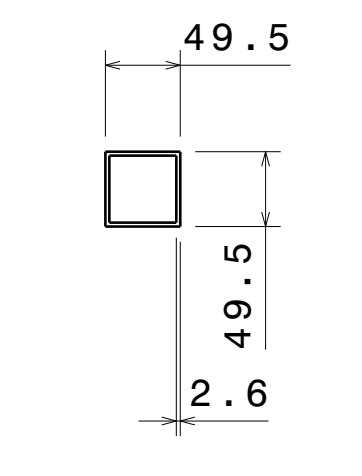
ITEM 1 DETAILS
Sq tube 24.1 Frame 1



Right view
Scale: 1:5

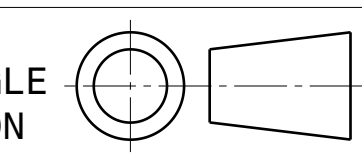


ITEM 13 DETAILS
Sq tube 24.1 Frame 11



Right view
Scale: 1:5

UNLESS OTHERWISE SPECIFIED
DIMENSION ARE IN MM
VIEWS:
THIRD ANGLE PROJECTION



This drawing is our property. It can't be reproduced or communicated without our written agreement.

DRAWN BY	DATE
SB	1/28/2020
CHECKED BY	DATE
P2P Analysis & Solutions	1/28/2020
DESIGNED BY	DATE
P2P Analysis & Solutions	1/28/2020

APL APOLLO TUBES LTD.	
DRAWING TITLE	
GATE 24	
SIZE	DRAWING NUMBER
A0	P2P APL_00024
SCALE	WEIGHT (kg)
NONE	XXX
SHEET	3