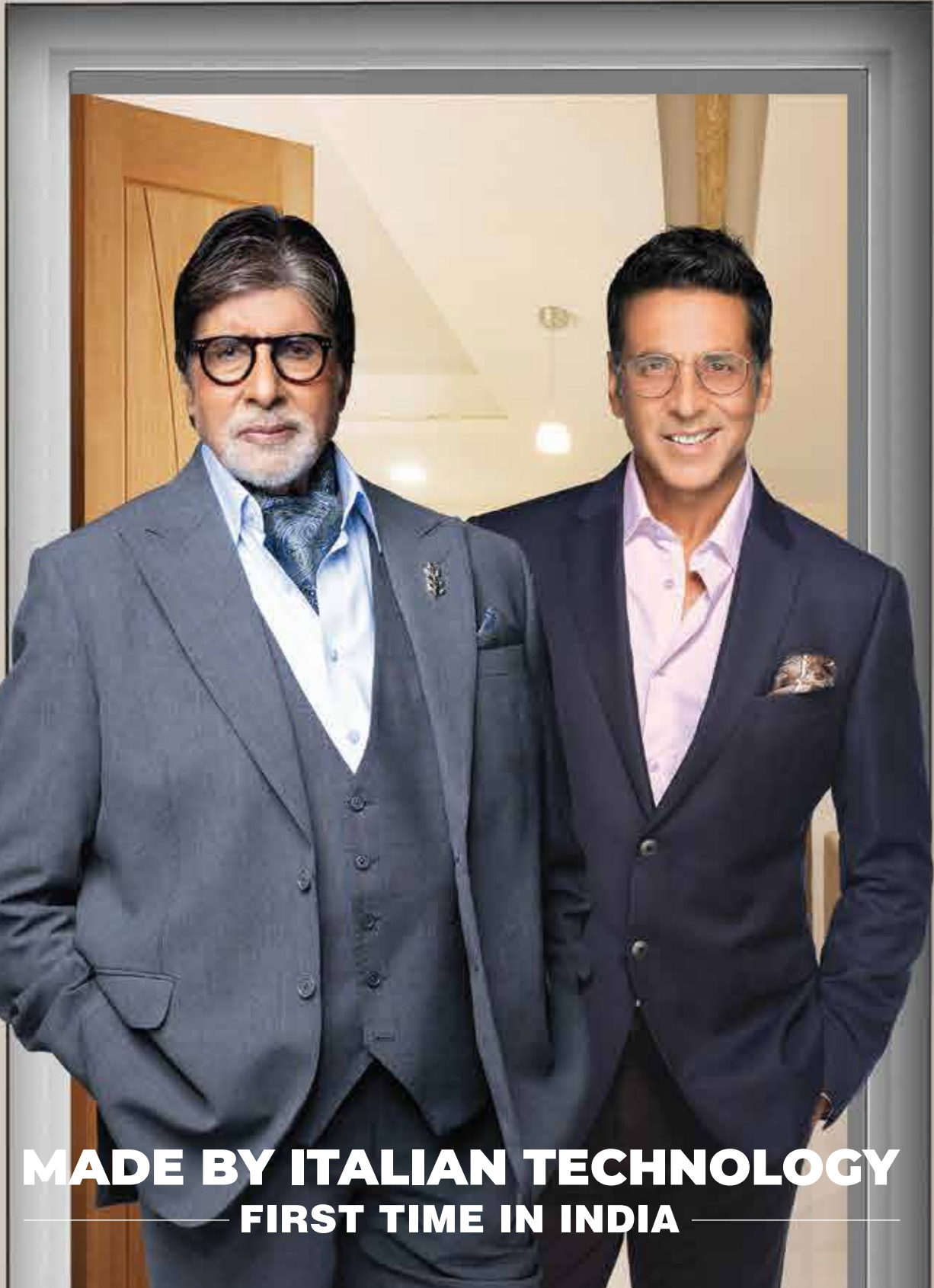


INDIA'S
No. 1
STRUCTURAL STEEL TUBE COMPANY



APOLLO
CHAUKHATTM
STEEL DOOR & WINDOW FRAMES



MADE BY ITALIAN TECHNOLOGY
FIRST TIME IN INDIA

*India's No. 1 by Market Share

ना लगेगी दीमक

**ना लगेगा
फिटिंग में समय**

ना रहेगा गैप

ना कटेंगे पेड़





INDIA'S FIRST STEEL CLOSED DOOR FRAMES

FOR EASY INSTALLATION & PROTECTION AGAINST TERMITES



Sudesh Group

Sudesh Group is India's leading steel pipes and tubes manufacturer with 13 plants across different locations in India.

It's a pioneer in steel pipes and tubes of different types and shapes with a total manufacturing capacity of 36 lakhs metric tons per annum. For over 3 decades, the group of companies has been revolutionizing the steel tubes and pipes manufacturing industry with its innovative and technology led processes to bring a paradigm shift, and has proven its market acumen.

Apollo Chaukhat is a shining example of our innovative spirit and our quest for introducing newer products and solutions which makes a difference in people's lives. Frames made with our revolutionary, and



India's only Direct Forming Technology (DFT), are lighter and available in customized sizes for an easier installation.

FIRST COMPANY IN INDIA TO BE RECOGNIZED BY



*Building Materials and Technology Promotion Council (BMTPC) is an autonomous body under "Ministry of Housing and Urban Affairs, GOI.





Traditionally, in India, wooden frames are used for doors and windows, but as we have seen, these frames have several shortcomings. To start with, they are expensive, prone to termites and are inflammable. Moreover, installation is very time consuming and the look deteriorates with time.

But all this is about to change with Apollo's Chaukhat - India's first closed steel door and window frames. Frames can now be installed in just a few simple steps. Made of quality steel, you're assured of strength, durability, and quality without compromising on aesthetics. And, of course, termites don't stand a chance against the might of steel. What's more, with Apollo Chaukhat, you don't just save money but also precious trees. So go ahead, make the perfect choice with Apollo Chaukhat.



Apollo Chaukhat Ki 10 KHOOBIYAN



APOLLO CHAUKHAT



MARBLE/CONCRETE



| APOLLO CHAUKHAT | ADVANTAGES | Marble/Concrete |
|-----------------|----------------------|-----------------|
| ✓ | Environment Friendly | ✓ |
| ✓ | Corrosion Resistance | ✓ |
| ✓ | Fire Resistant | ✓ |
| ✓ | Termite & Pest Proof | ✓ |
| ✓ | Cost-Effective | ✗ |
| ✓ | Easy Installation | ✗ |
| ✓ | No Breaking Issue | ✗ |
| ✓ | Resale Value | ✗ |
| ✓ | Recyclable | ✗ |
| ✓ | Damp Proof | ✗ |

APOLLO CHAUKHAT

VS

WOOD



| APOLLO CHAUKHAT | ADVANTAGES | WOOD |
|-----------------|----------------------|------|
| ✓ | Environment Friendly | ✗ |
| ✓ | Corrosion Resistance | ✓ |
| ✓ | Fire Resistant | ✗ |
| ✓ | Termite & Pest Proof | ✗ |
| ✓ | Cost-Effective | ✗ |
| ✓ | Easy Installation | ✗ |
| ✓ | Low Maintenance | ✗ |
| ✓ | Resale Value | ✗ |
| ✓ | Recyclable | ✗ |
| ✓ | Damp Proof | ✗ |

APOLLO CHAUKHAT

VS

OPEN FRAME

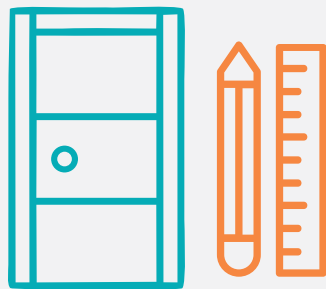


| APOLLO CHAUKHAT | ADVANTAGES | OPEN FRAME |
|-----------------|---------------------------|------------|
| ✓ | Environment Friendly | ✓ |
| ✓ | Corrosion Resistance | ✗ |
| ✓ | Fire Resistant | ✓ |
| ✓ | Termite & Pest Proof | ✓ |
| ✓ | Cost-Effective | ✗ |
| ✓ | No Need To Break The Wall | ✗ |
| ✓ | Ease Of Door Fitting | ✗ |
| ✓ | Resale Value | ✗ |
| ✓ | Recyclable | ✗ |
| ✓ | Damp Proof | ✗ |

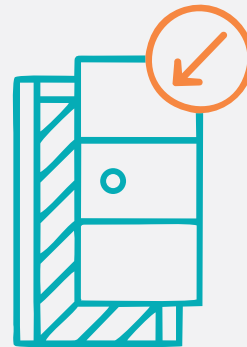
FITS EASILY AND FASTER THAN WOODEN FRAMES TWO-STEP PROCESS

Another reason to choose Apollo Chaukhat is its quick installation process which is nothing short of magic. At the time of construction, as compared to wooden frames, which has to be fitted during construction, Apollo CHAUKHAT can be fitted post-construction in just two easy steps, like any modern PLUG & PLAY.

1 MEASUREMENT



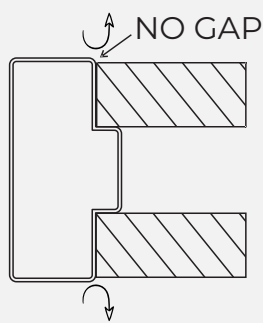
2 INSTALLATION



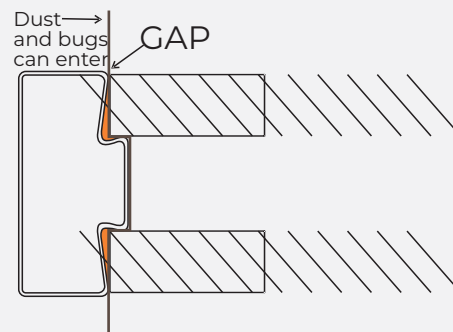
NO GAPS - FOR BUGS AND DUST

Installed with the help of concrete and cement, the open frames usually allow bugs and dust inside the house. These frames also fall behind on the grounds of beauty. Whereas, Apollo CHAUKHAT is a closed door frame which takes no time in installation, looks beautiful and shields the house from dust and bugs.

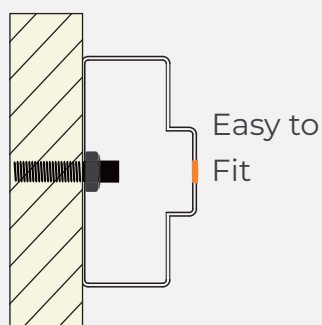
APOLLO CHAUKHAT



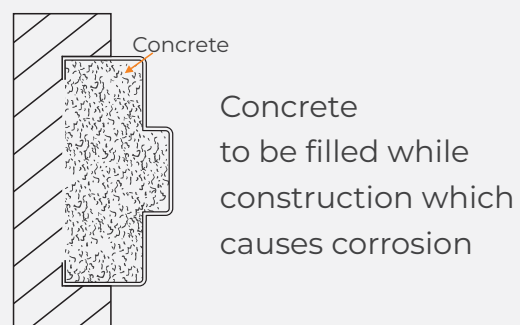
CONVENTIONAL DOOR FRAMES



APOLLO CHAUKHAT



OTHER OPEN DOOR FRAME



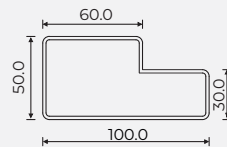
OUR WIDE RANGE OF DOOR FRAMES



Door Frames

Apollo Chaukhat has a wide range of frames for doors. These cost-effective and easy to fit door frames are made up of quality steel and come in various sizes. For an aesthetic house, these door frames are the perfect choice.

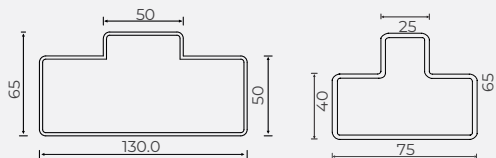
Single Door Frames



Size
100 x 50 mm

Thickness
1.0 - 2.5 mm

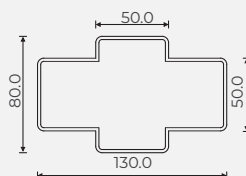
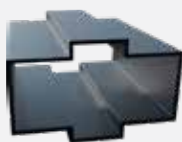
Double Door Frames



Size
130 x 65 mm
75 x 65 mm

Thickness
1.4 - 2.5 mm

Four Door Frames



Size
130 x 80 mm

Thickness
1.4 - 2.5 mm

CERTIFICATION

In the opinion of Building Materials & Technology Promotion Council's Board of Agreement (BMBA), **Apollo Chaukhat Door and Window Frame Sections** bearing the mark manufactured by M/s Apollo Tricoat Tubes Ltd. is satisfactory if used as set out above in the text of the Certificate. This Certificate **PAC No. 1052-P/2020** is awarded to **M/s Apollo Tricoat Tubes Ltd.**, Ghaziabad, Uttar Pradesh.

The period of validity of this Certificate is for a period of One year i.e. from 13/01/2020 to 12/01/2021 as shown on Page 1 of the PAC.

This Certificate consists of a cover page and pages 1 to 23.



On behalf of BMTPC Board of Agreement, Chairman, Technical Assessment Committee (TAC) of BMBA & Member Secretary, BMTPC Board of Agreement (BMBA) Under Ministry of Housing and Urban Affairs, Government of India

Dr. Shailesh K.R. Agrawal
Chairman, TAC

& Member Secretary, BMBA

Building Materials and Technology Promotion Council
Ministry of Housing and Urban Affairs, Govt. of India
Core 5A, 1st Floor, India Habitat Centre
Lodhi Road, New Delhi-110003

Place: New Delhi

Date: 13.1.2020

WAY TO APOLLO CHAUKHAT INSTALLATION



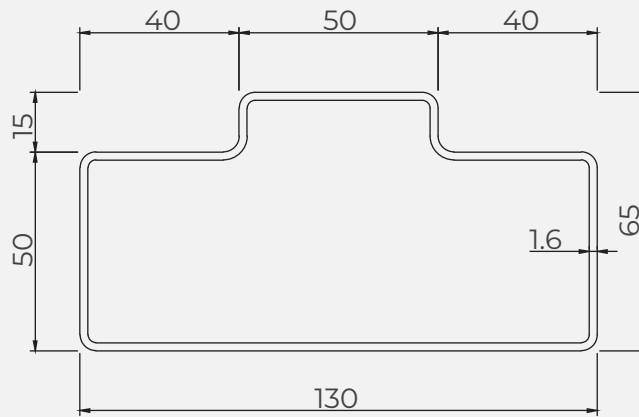
Process-1



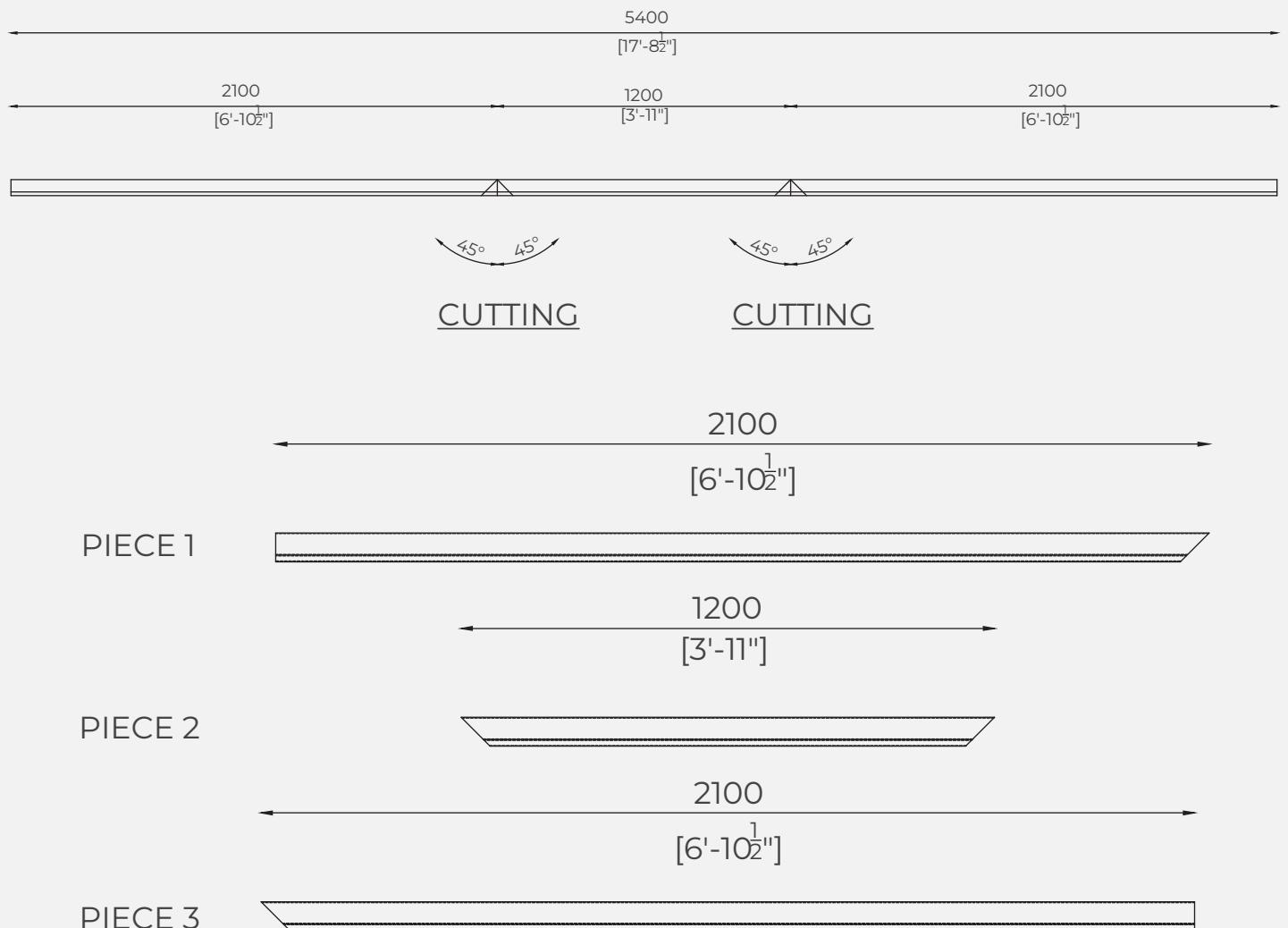
WELDING PROCESS OF MS BLACK AND GP

STEP-1

TAKE A DDF (130X65X1.6) OF 5400MM FOR WALL OPENING OF SIZE (1200X2100) AND THEN MAKE TWO CUTS OF 45° AT 2100MM FROM ONE END AND AGAIN AT 1200MM FROM THE FIRST CUT, THEN WE HAVE THREE CUT PIECES OF DDF.

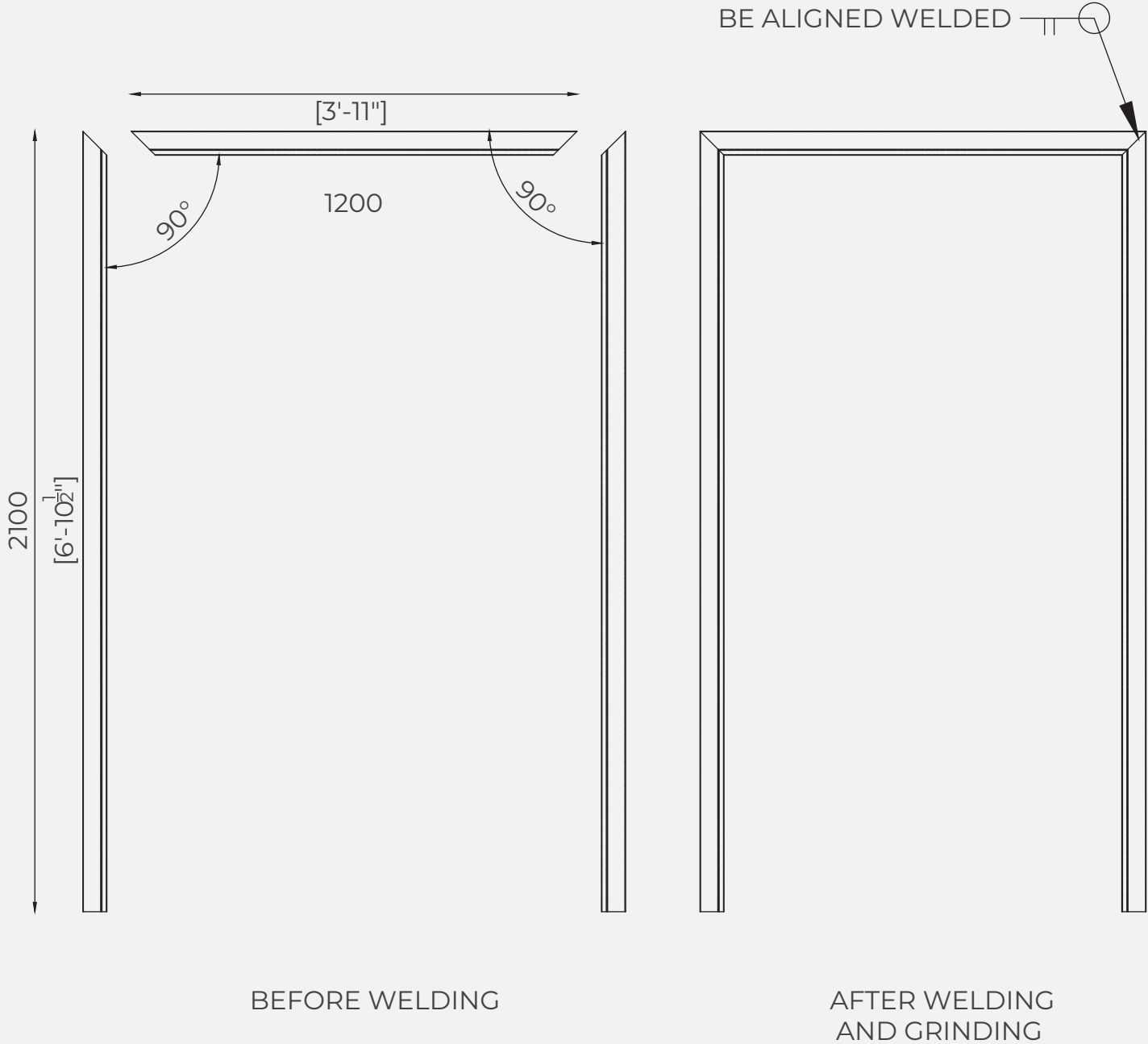


"DOUBLE DOOR FRAME (SDF) (130X65X1.6)"



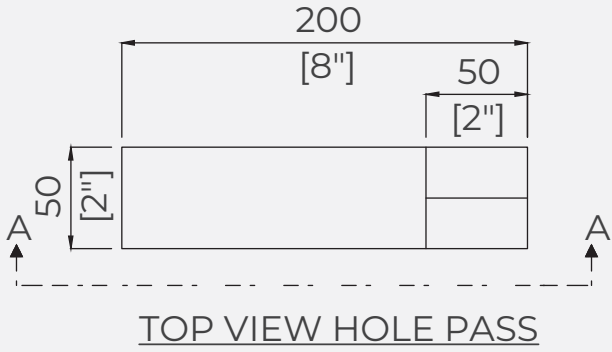
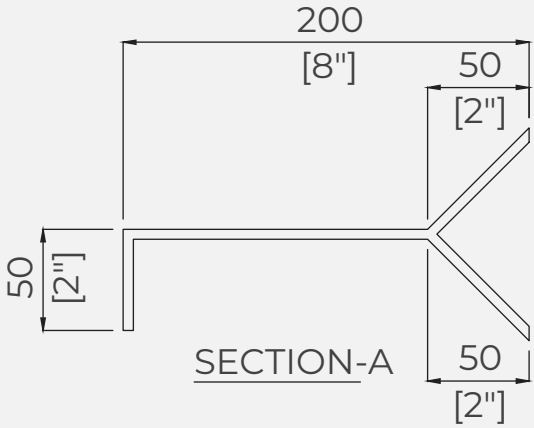
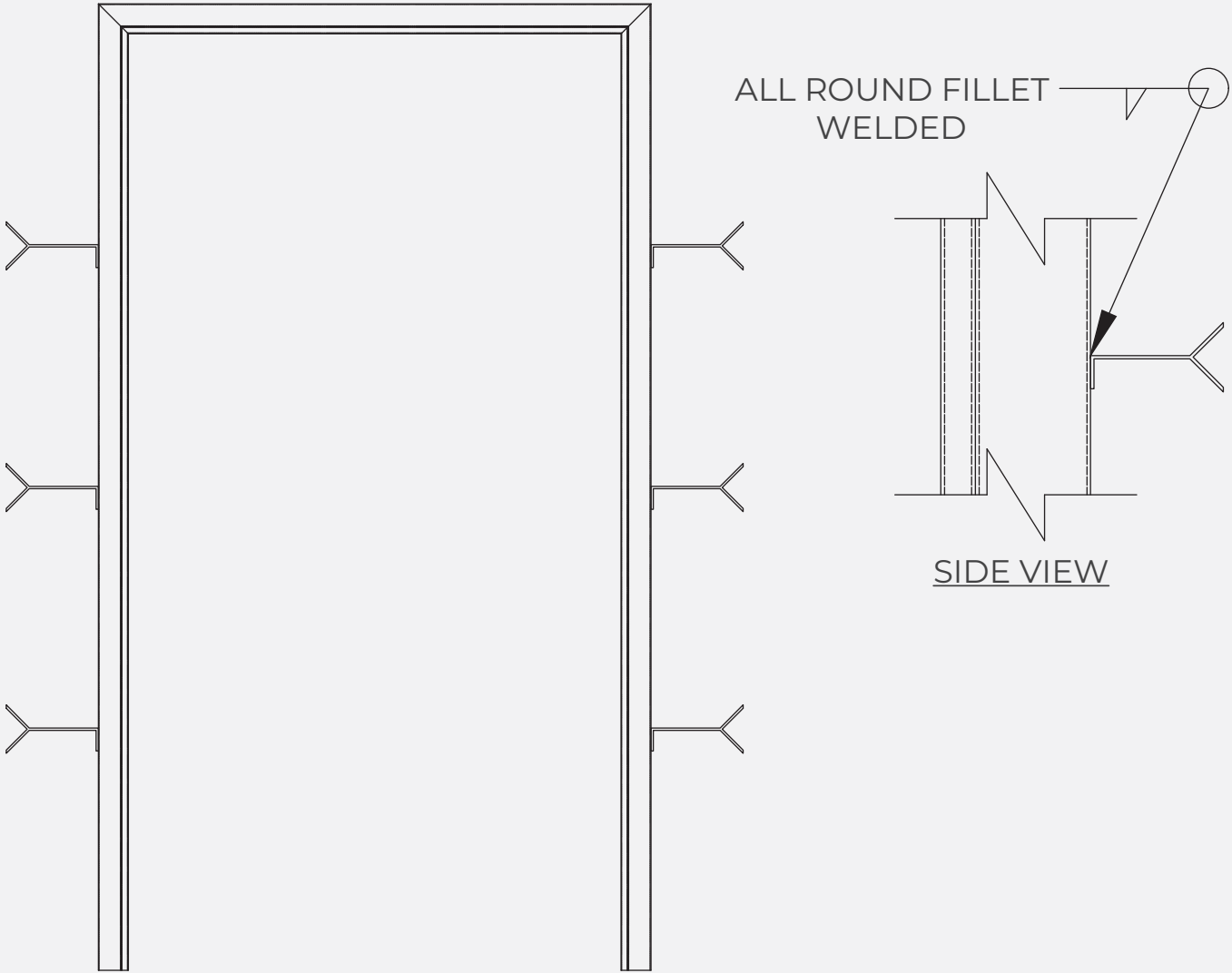
STEP-2

ARRANGE THESE THREE PIECES IN A WAY THAT THE ANGLE BETWEEN EACH PIECES IS 90° AND JOIN THEM BY THE WELDING PROCESS FOLLOWED BY THE GRINDING PROCESS FOR THE SMOOTH SURFACE AT THE JOINT ENDS.



STEP-3

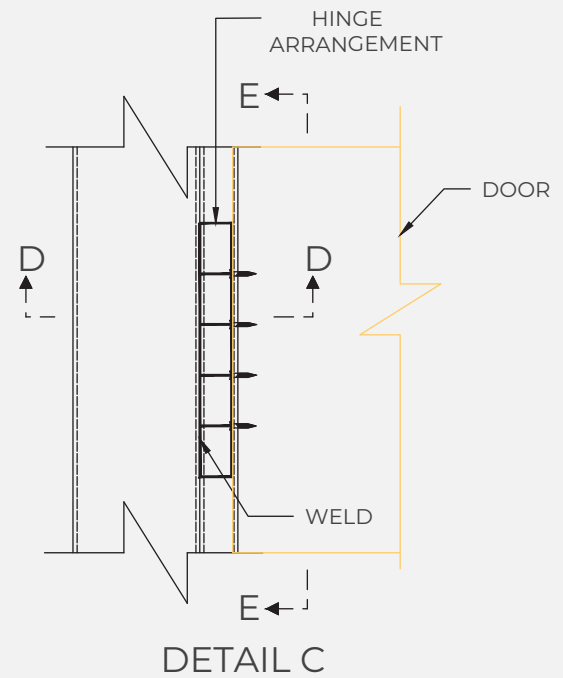
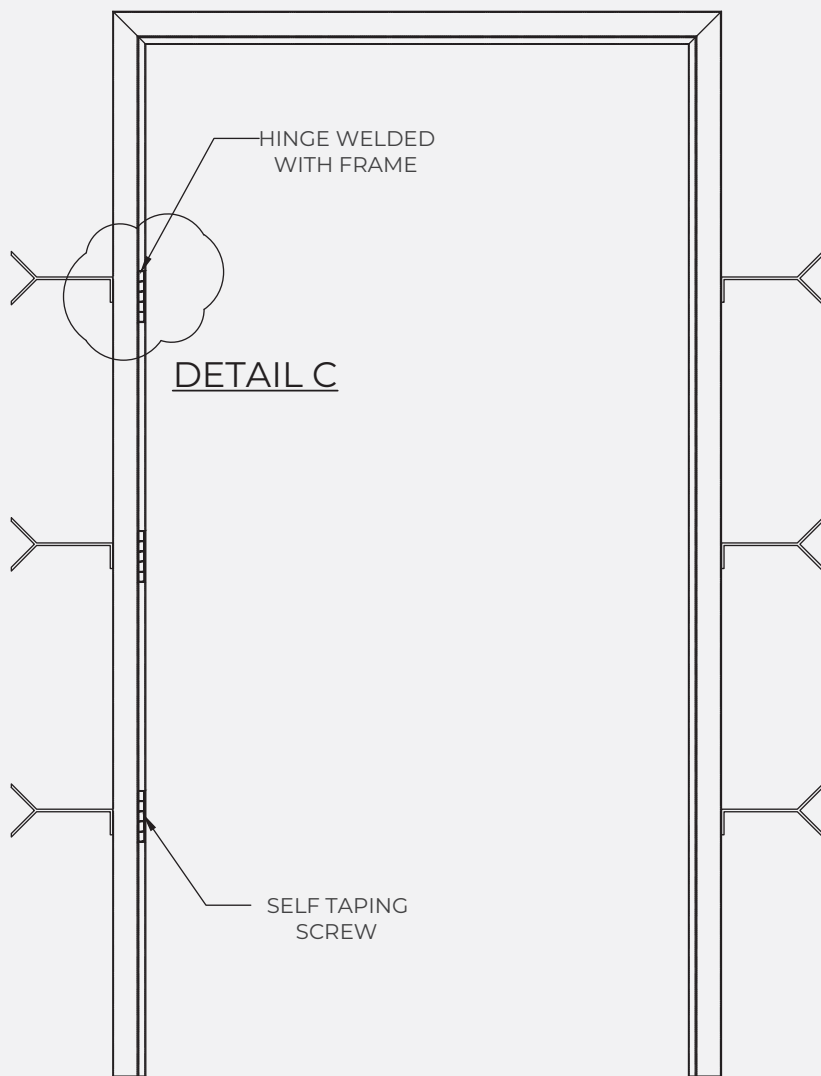
6 NOS. OF HOLE PASS TO BE WELDED WITH DOOR FRAME.



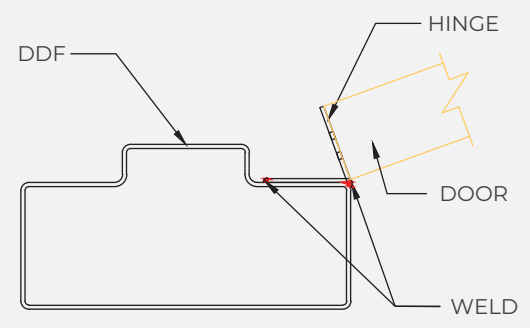
*THICKNESS OF HOLE PASS MAY VARY 3-5 MM

STEP-4

HINGES ARE BEING FIXED WITH THE HELP OF WELD WITH DOOR FRAME

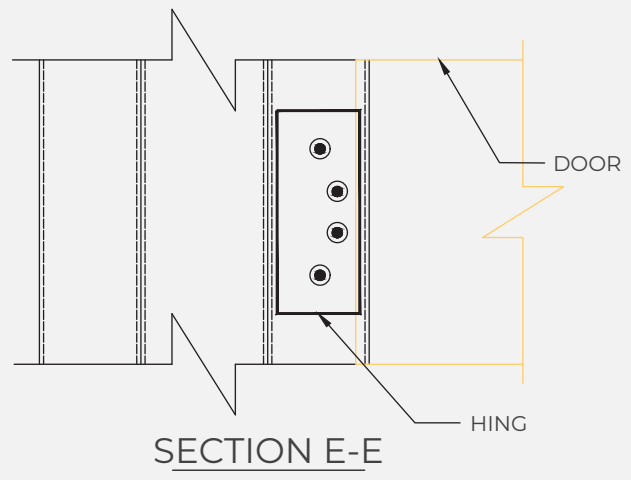


HINGE & SELF TAPING SCREW



SECTION D-D

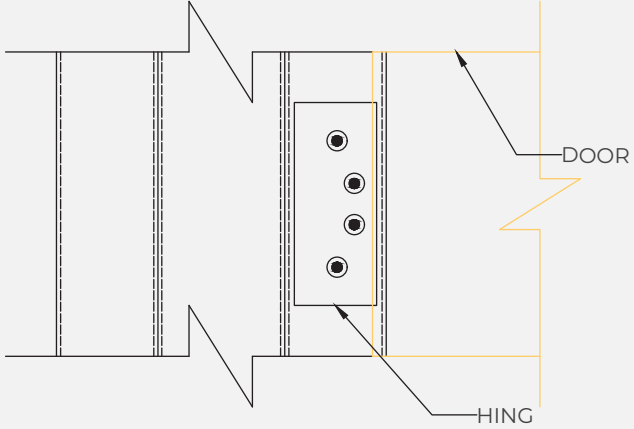
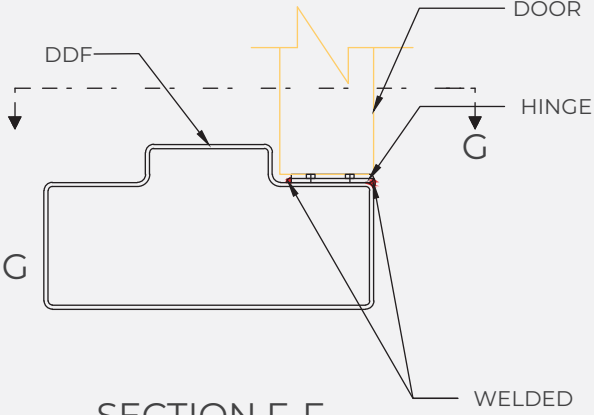
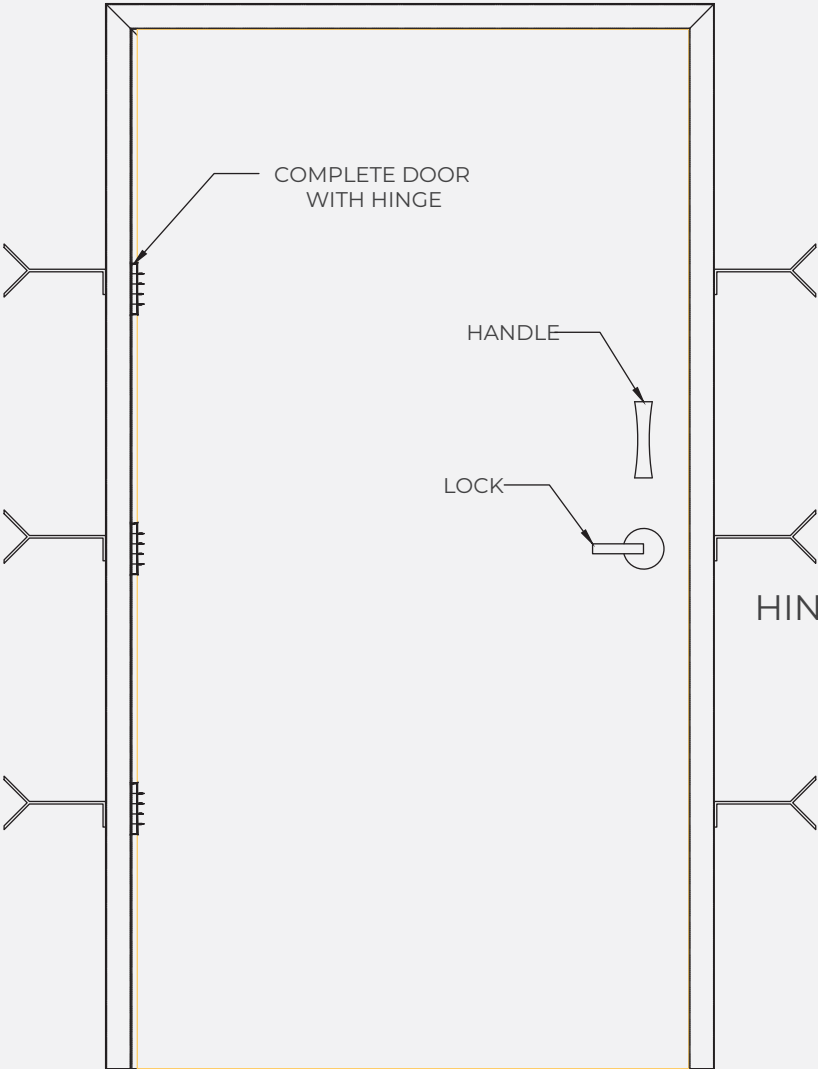
HINGE & SELF TAPING SCREW IN DDF



HINGE ARRANGEMENT WITH OPEN DOOR

STEP-5

FINALLY THE DOOR IS PLACED IN THE FRAME AND THE HINGES ARE FIXED WITH THEM AND ADDITIONALLY THE LOCK AND HANDLE WILL ALSO BE FIXED WITH THE DOOR.



Process-2

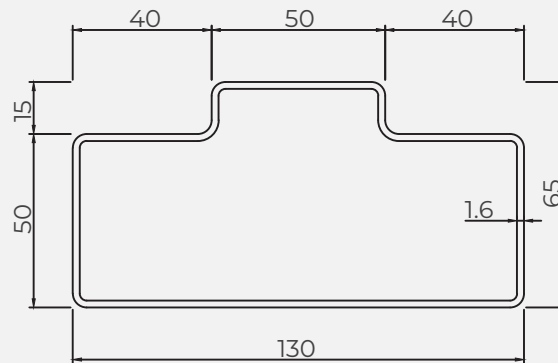


**MODULAR
CHAUKHAT**

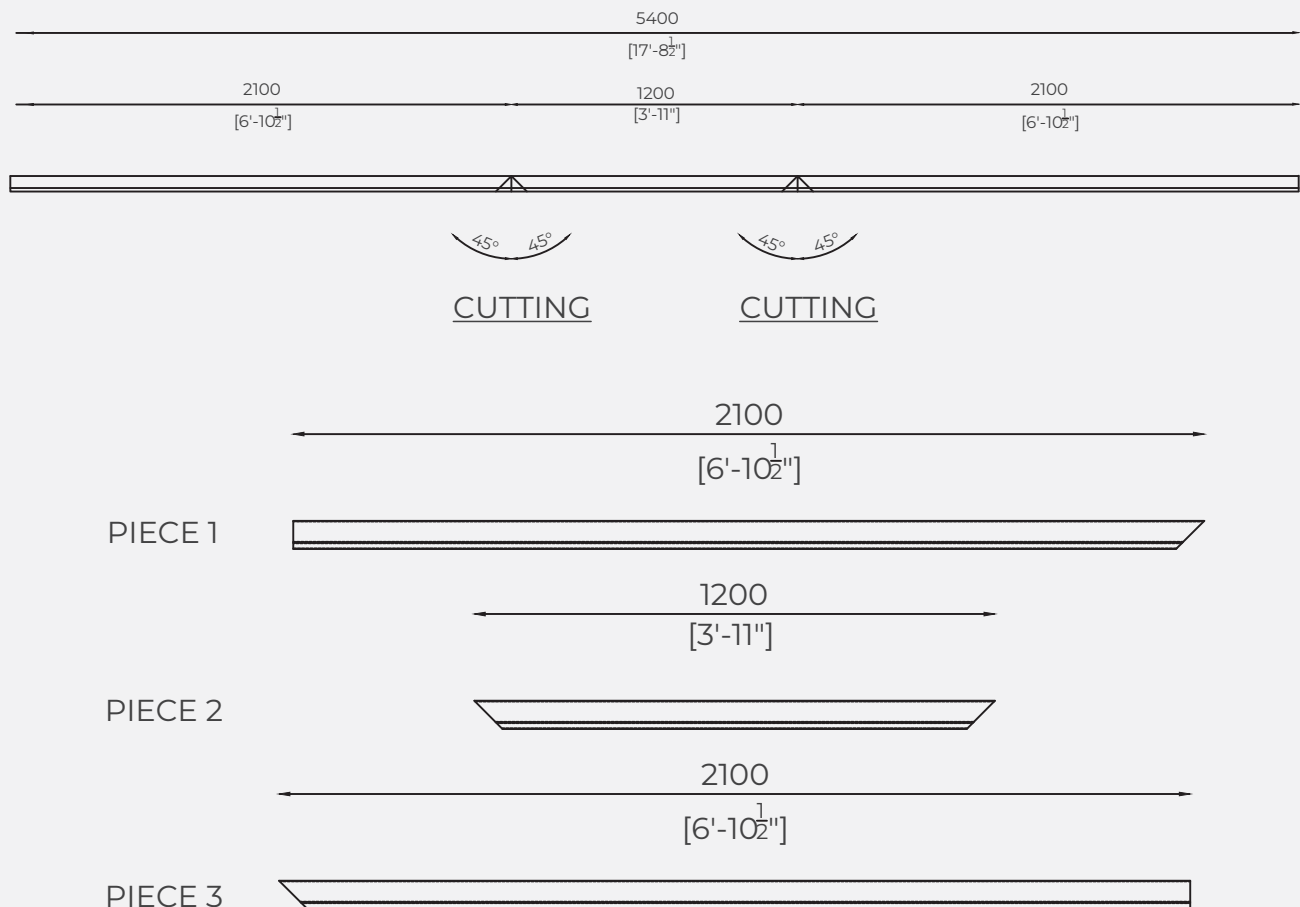
MODULAR CHAUKHAT INSTALLATION MANUAL

STEP-1

TAKE A DDF (130X65X1.6) OF 5400MM FOR WALL OPENING OF SIZE (1200X2100) AND THEN MAKE TWO CUTS OF 45° AT 2100MM FROM ONE END AND AGAIN AT 1200MM FROM THE FIRST CUT, THEN WE HAVE THREE CUT PIECES OF DDF.

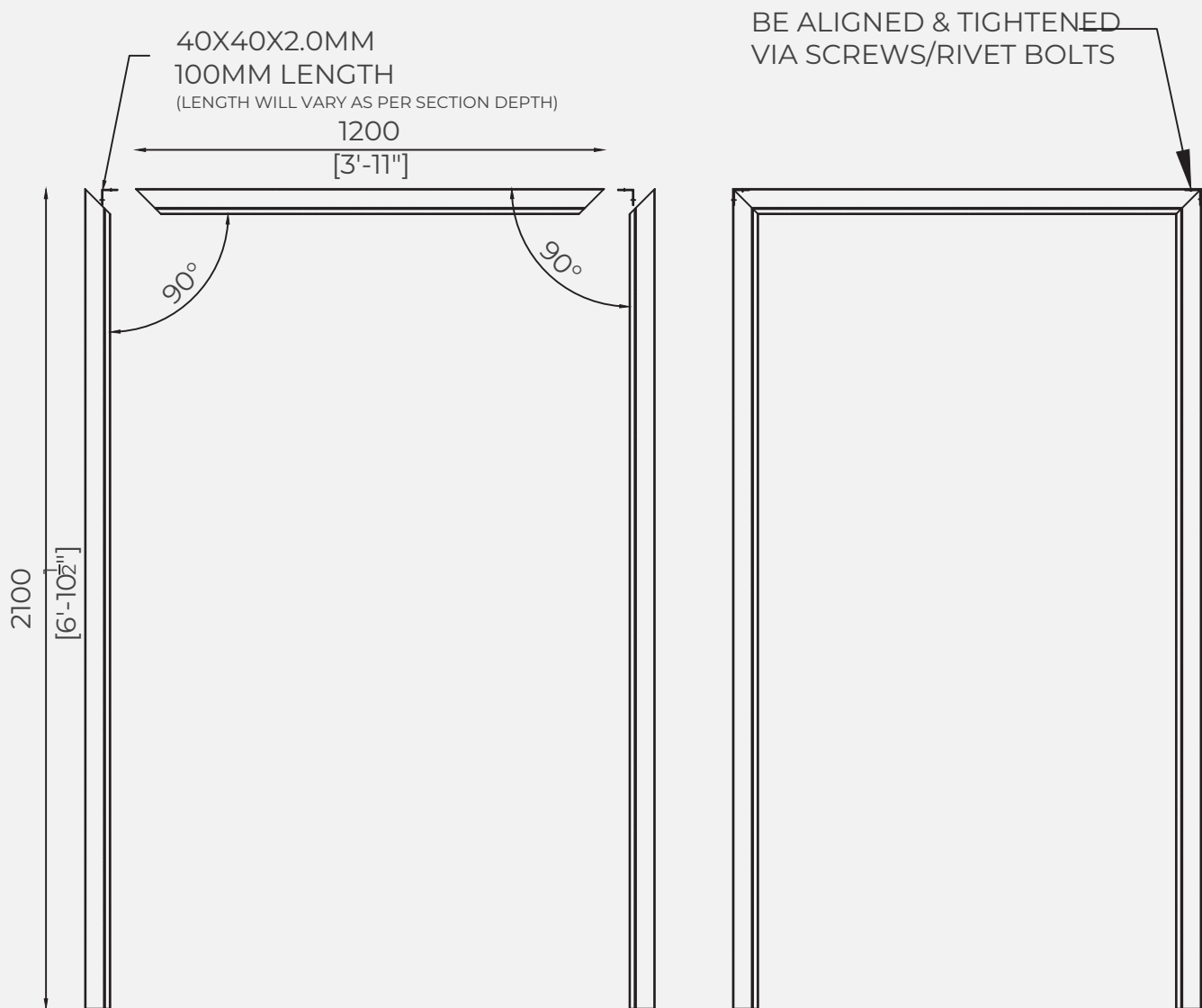


"DOUBLE DOOR FRAME (SDF) (130X65X1.6)"



STEP-2

ARRANGE THESE THREE PIECES IN A WAY THAT THE ANGLE BETWEEN EACH PIECES IS 90° AND JOIN THEM BY VIA L-ANGLE WITH SCREWS/RIVET BOLTS.

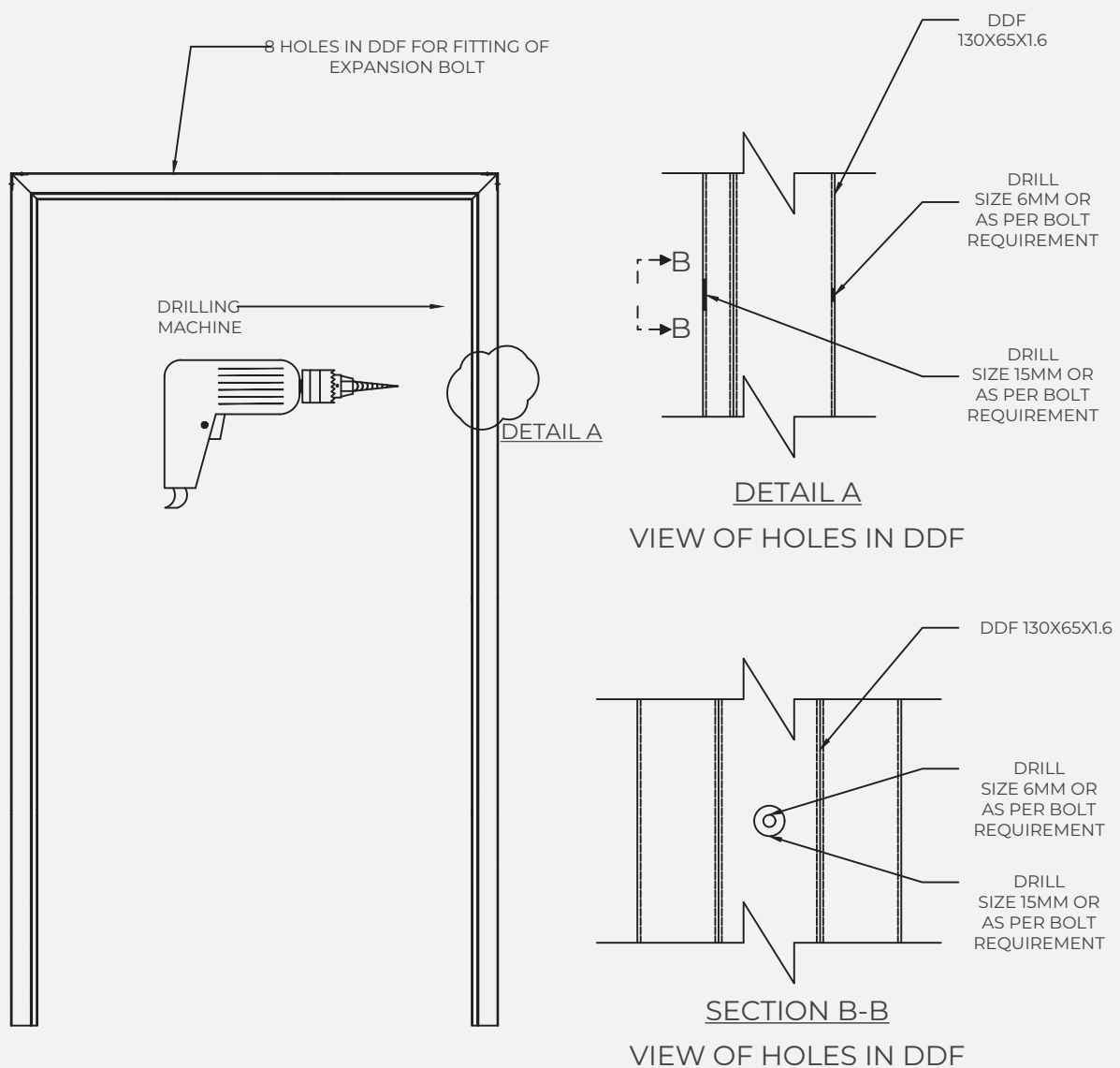


BEFORE ASSEMBLY OF
DOOR FRAME SECTION

AFTER ASSEMBLY OF
DOOR FRAME SECTION
VIA SCREWS/RIVET
BOLTS WITH L-ANGLE

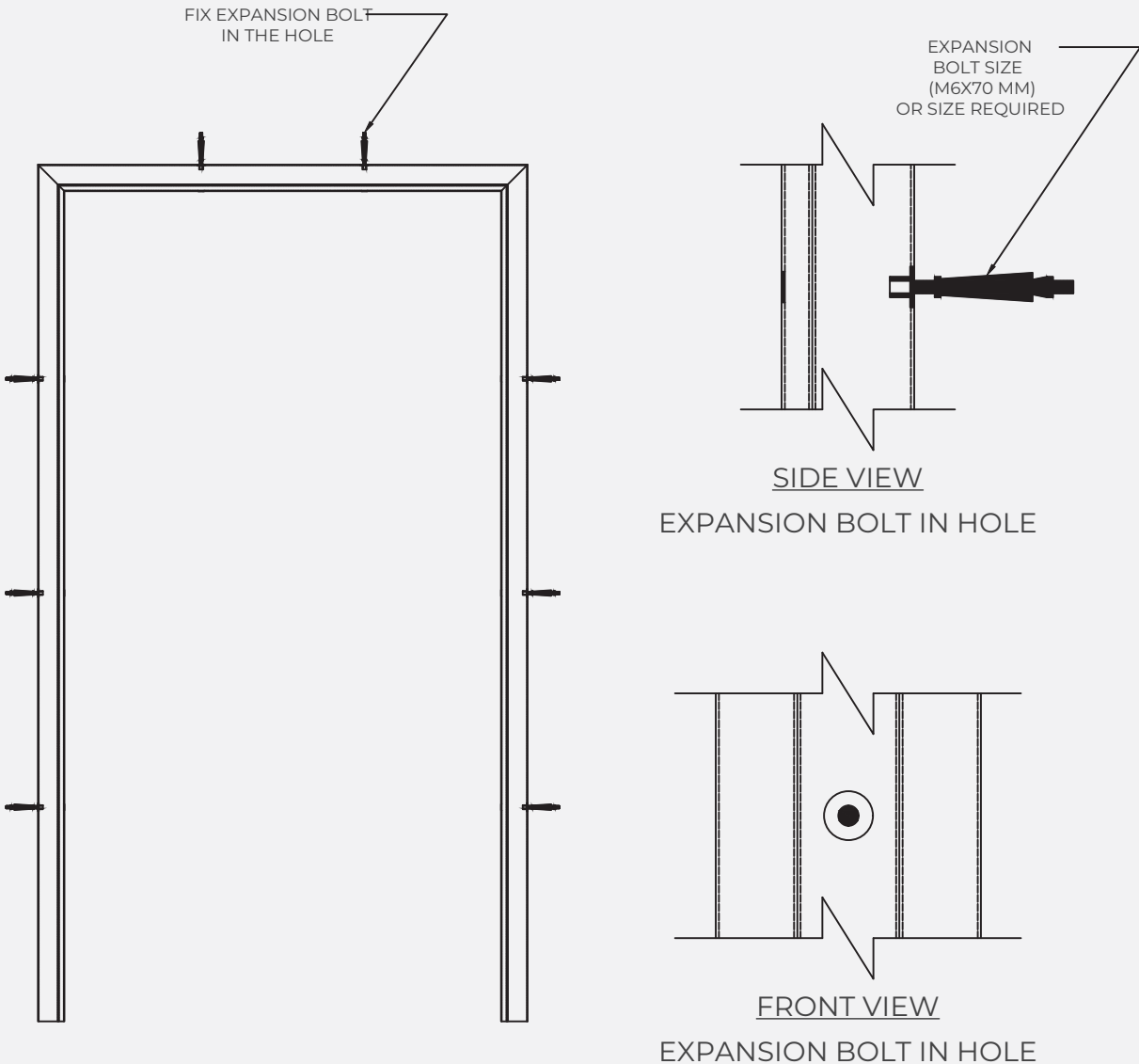
STEP-3

WITH THE HELP OF DRILL MACHINE WE MAKE 8 HOLES IN THE DDF OF SIZE 6MM ON THE INNER SIDE OF FRAME AND 15MM ON THE OUTER SIDE OF FRAME AND MARK THE HOLES POSITION ON THE WALL.



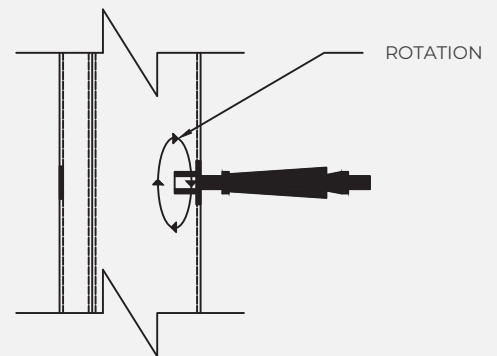
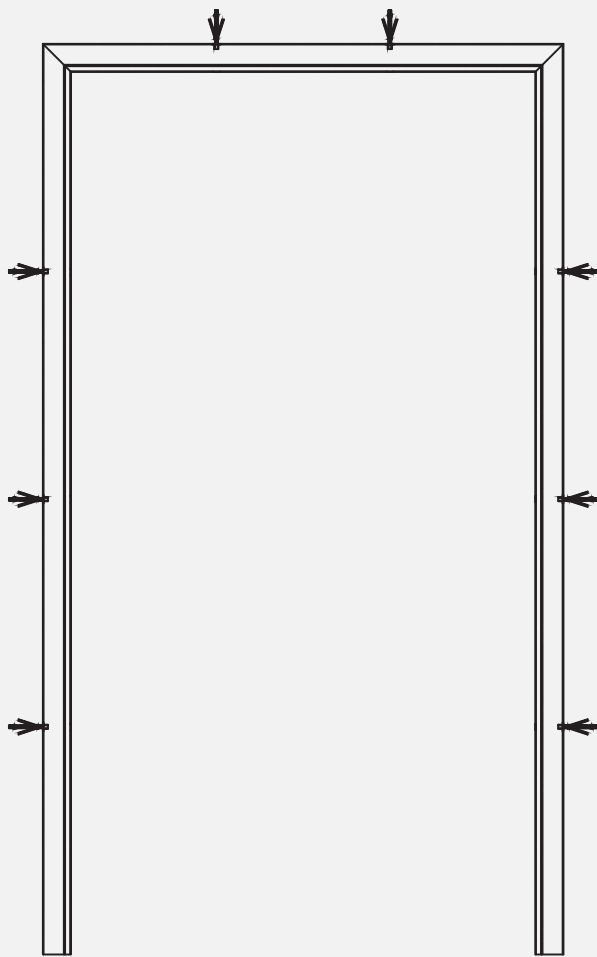
STEP-4

AFTER DRILL, WE PUT THE EXPANSION BOLT IN THE HOLE AS DEPICT BELOW.



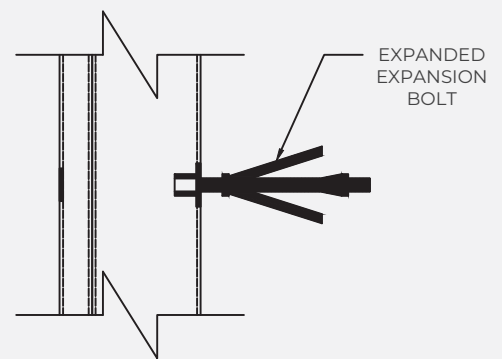
STEP-5

AFTER TIGHTENING THE EXPANSION BOLT, AS SHOWN, THE DOOR FRAME WILL BE ATTACHED TO THE PRE-CONSTRUCTED WALL.



SIDE VIEW

EXPANSION BOLT STARTS TO OPEN UP AS WE ROTATE IT

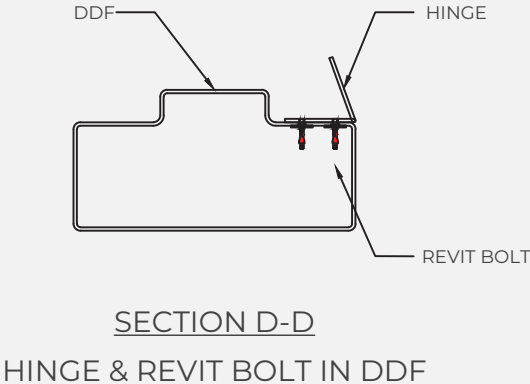
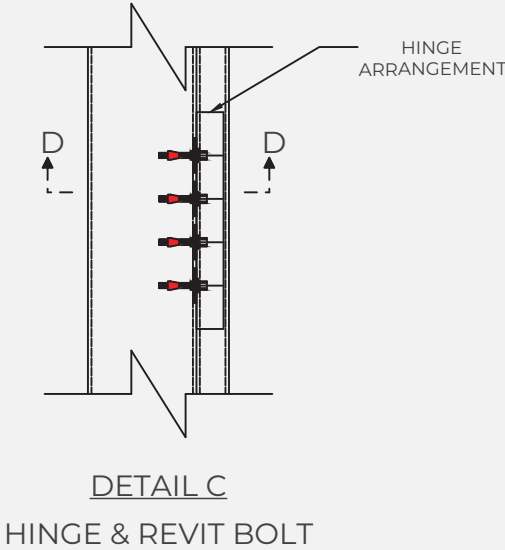
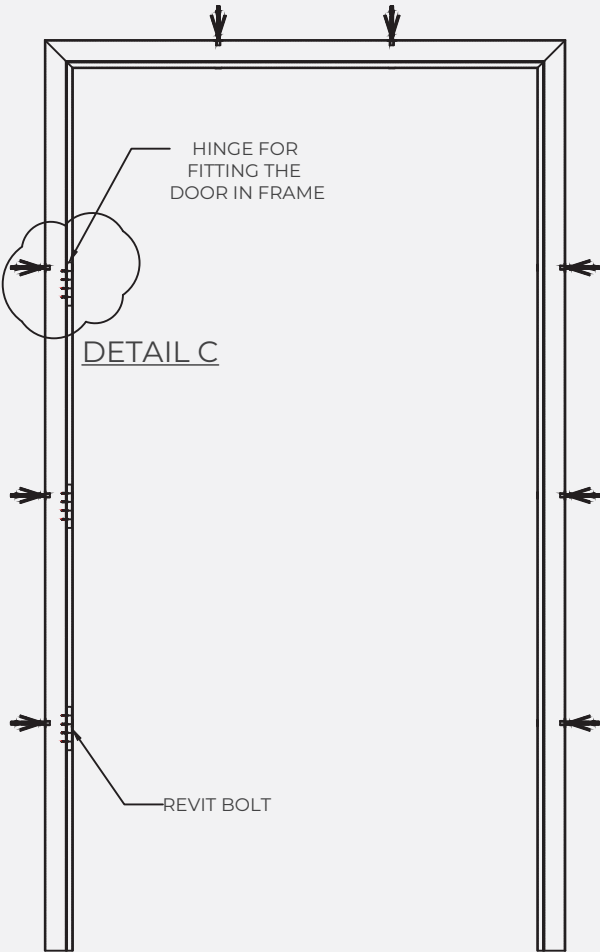


SIDE VIEW

EXPANSION BOLT FULLY EXPANDED

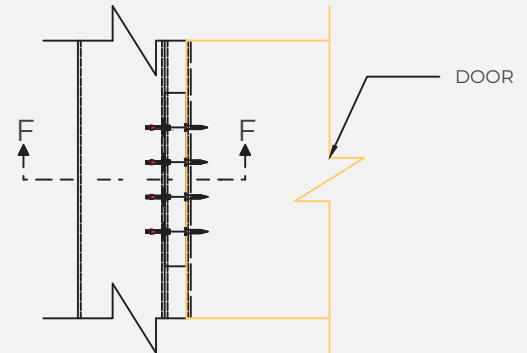
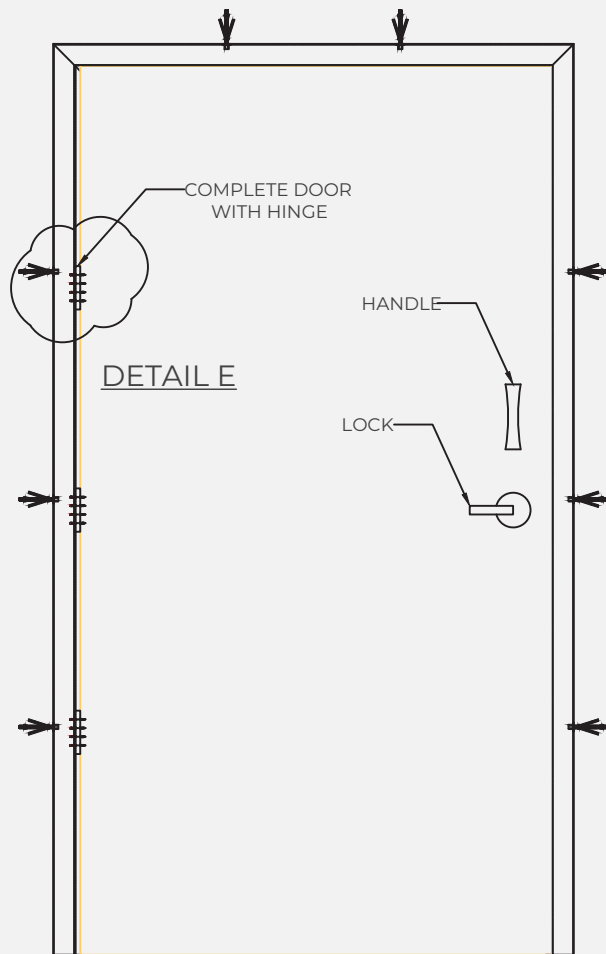
STEP-6

HINGES FOR HOLDING THE DOOR IS BEING FIXED WITH THE HELP OF REVIT BOLT.

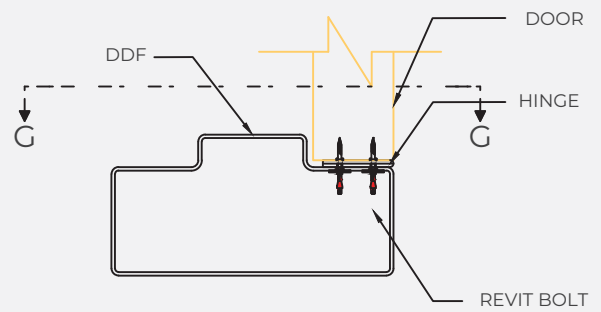


STEP-7

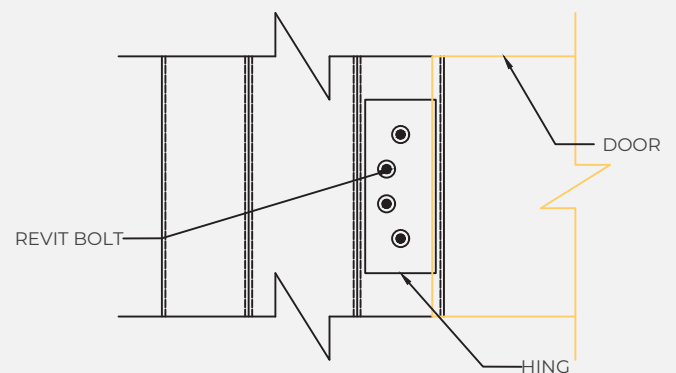
DOOR IS FIXED IN FRAME (CHAUKHAT) VIA HINGES AND NECESSARY ARRANGEMENTS ARE FIXED.



DETAIL E
REVIT BOLT WITH WOOD DOOR
FIXING ARRANGEMENT



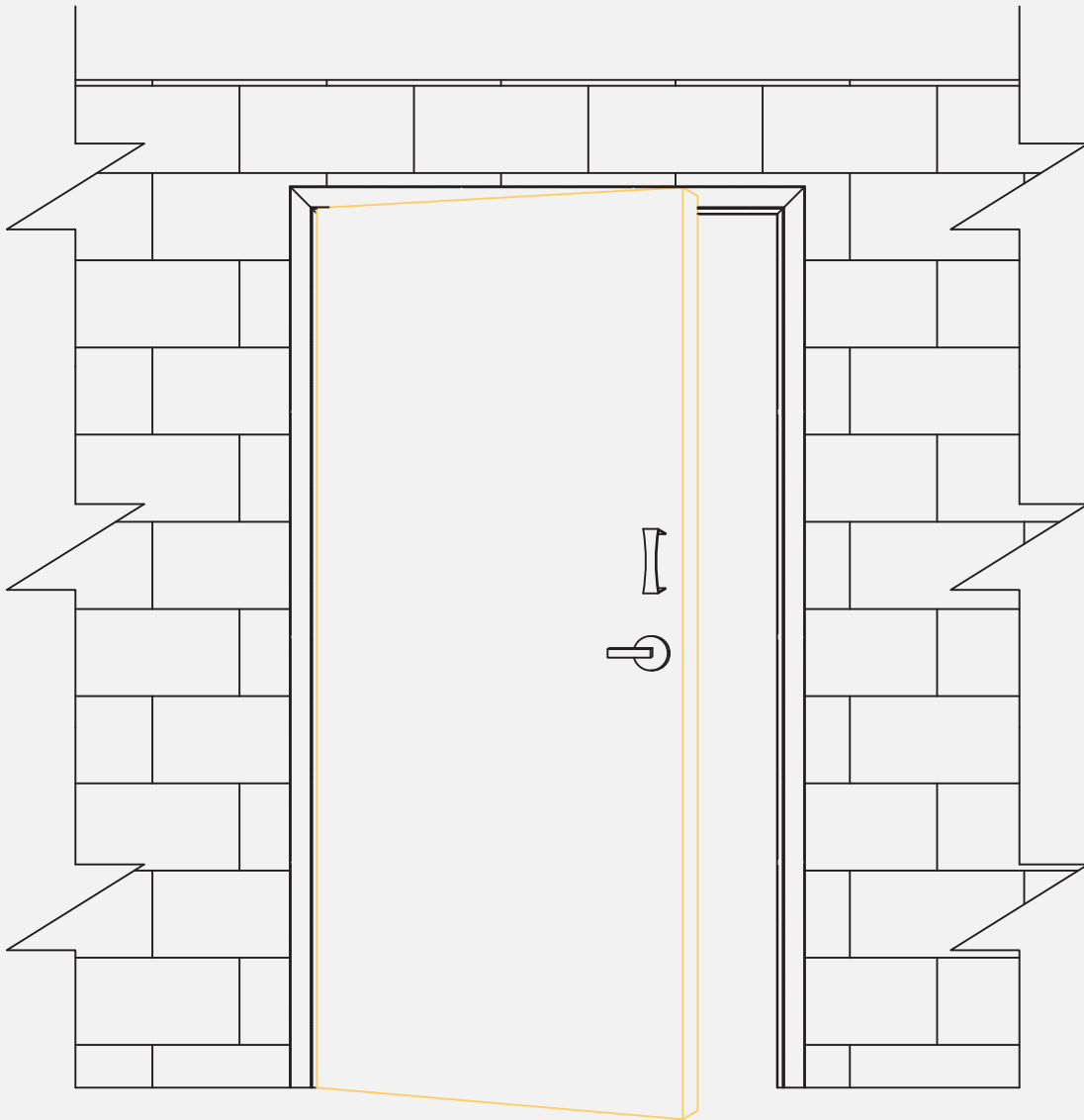
SECTION F-F
HINGE WITH DOOR & REVIT BOLT IN DDF



SECTION G-G
HINGE ARRANGEMENT WITH OPEN DOOR

STEP-8

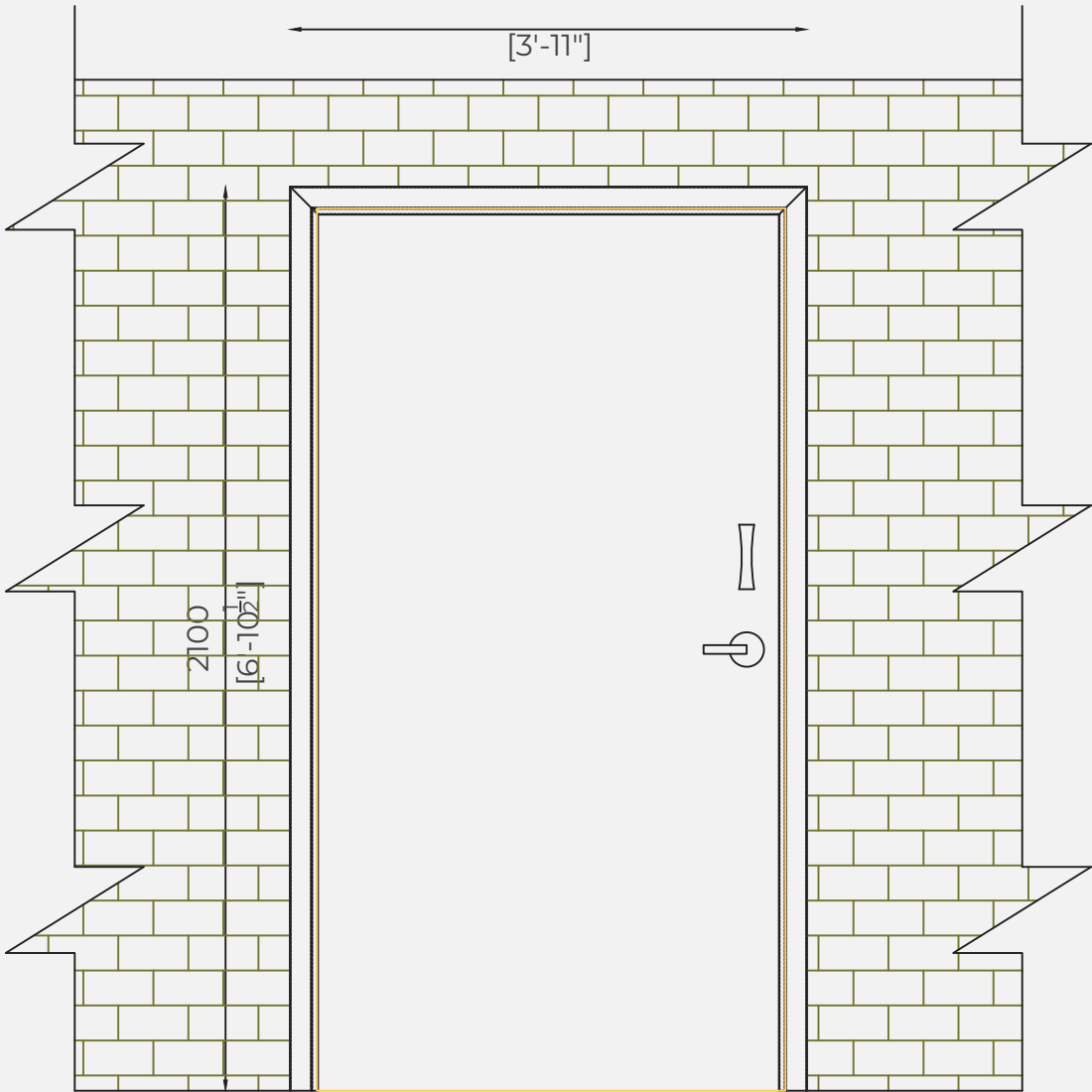
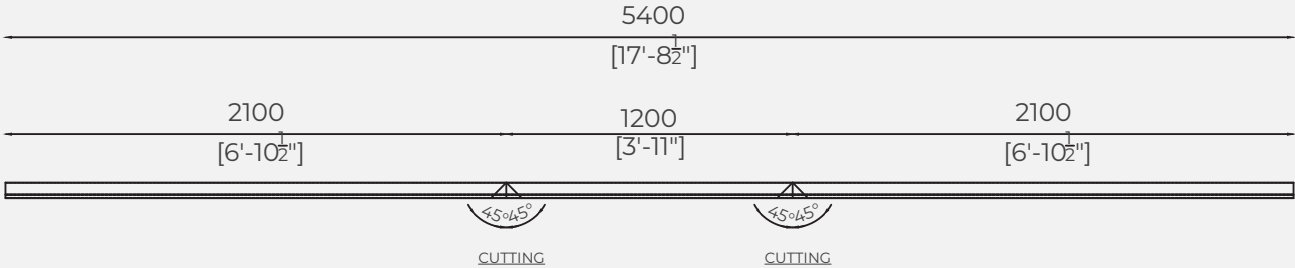
DOOR IS READY TO BE USED.



COMPLETE DOOR AND FRAME
ARRANGEMENT

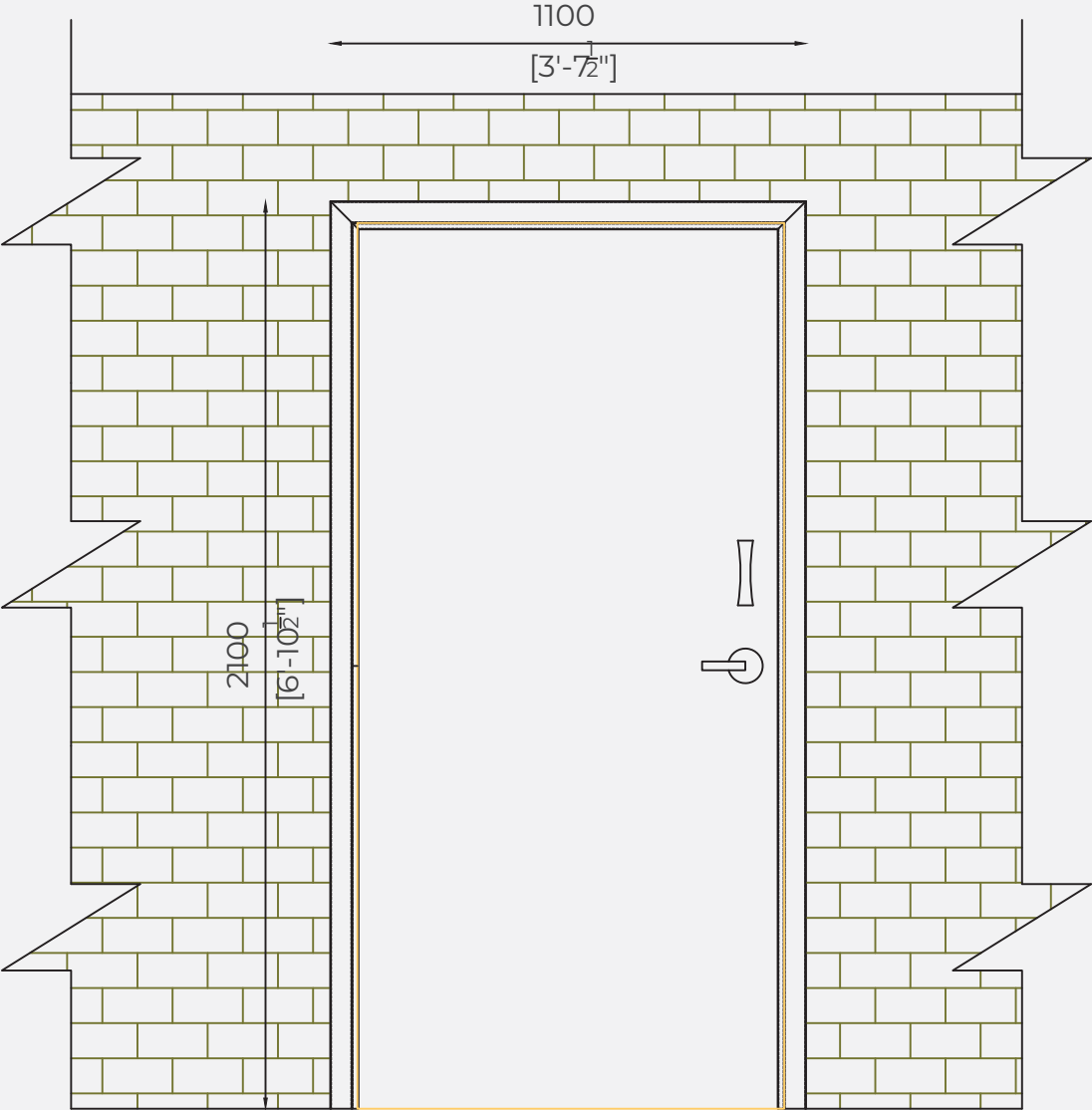
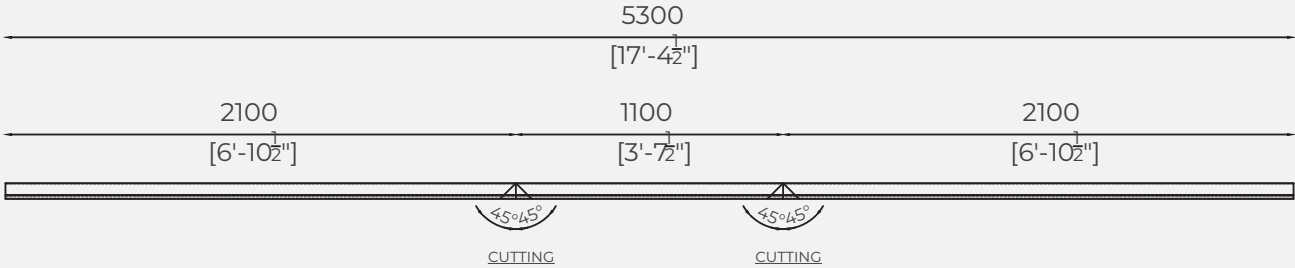
D1 (DOOR FRAME)

MASONRY / WALL OPENING SIZE (1200X2100 mm)
DDF (DOUBLE DOOR FRAME 130X65X1.6 mm)
LENGTH 5400 mm



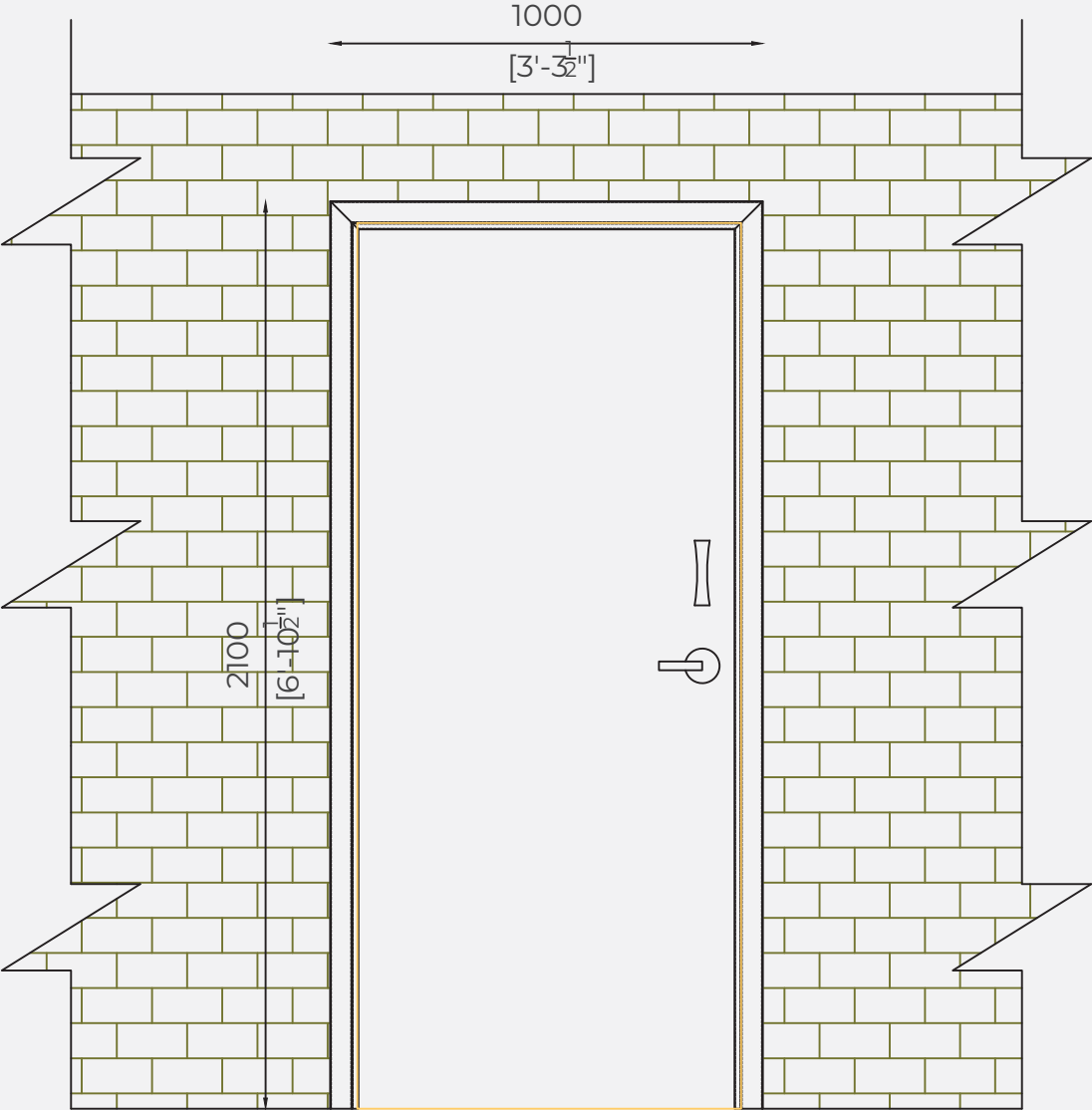
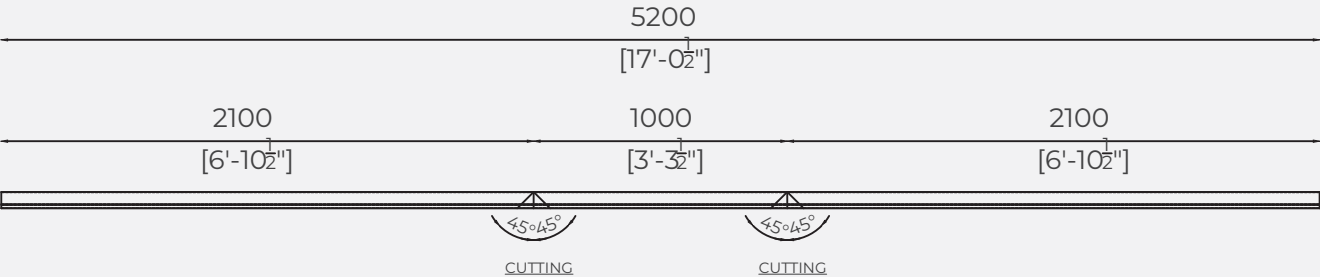
D2 (DOOR FRAME)

MASONRY / WALL OPENING SIZE (1100X2100 mm)
DDF (DOUBLE DOOR FRAME 130X65X1.6 mm)
LENGTH 5300 mm



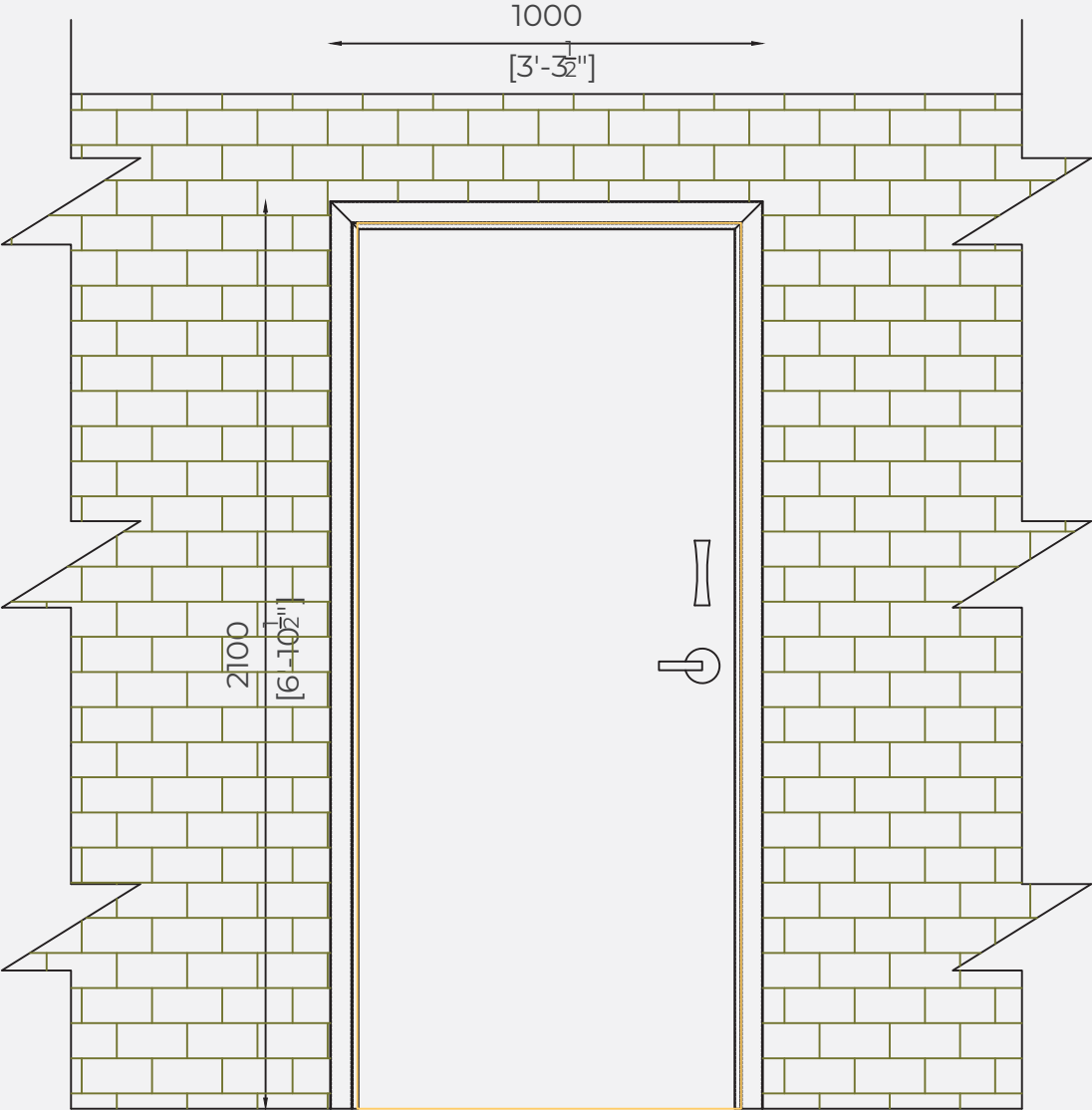
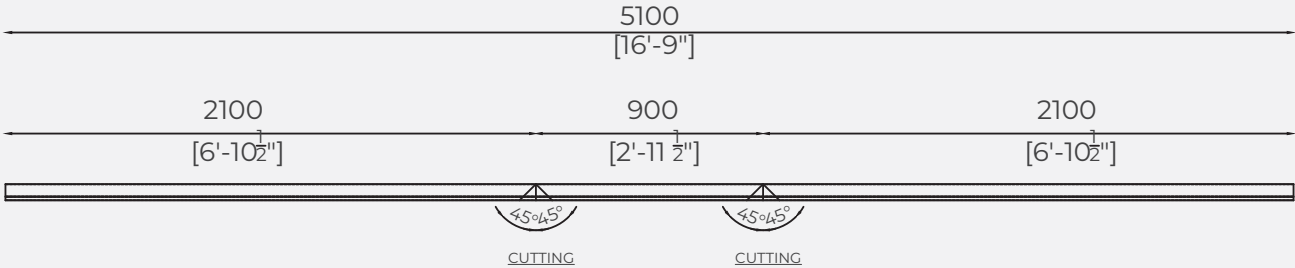
D3 (DOOR FRAME)

MASONRY / WALL OPENING SIZE (1000X2100 mm)
DDF (DOUBLE DOOR FRAME 130X65X1.6 mm)
LENGTH 5200 mm



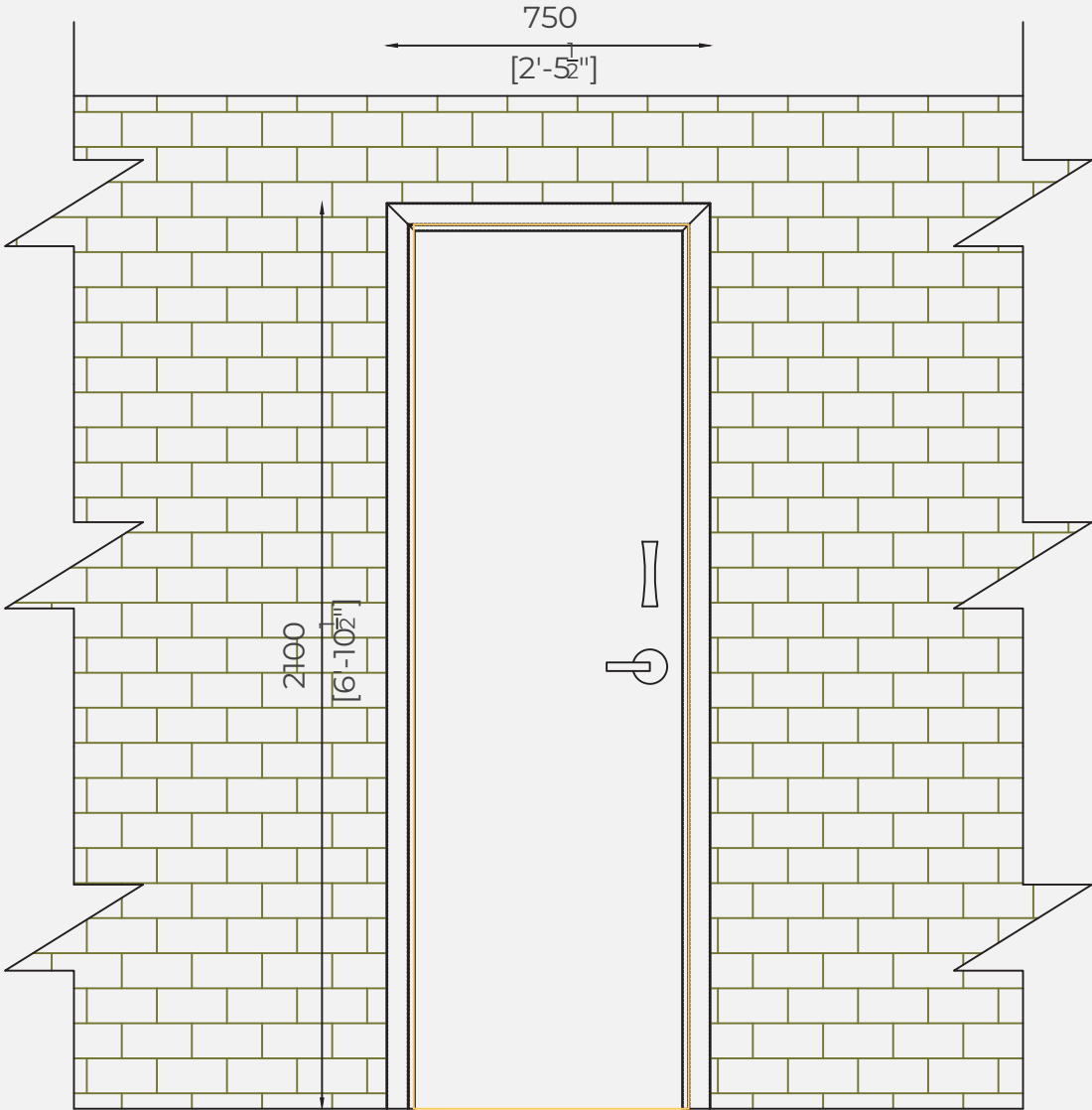
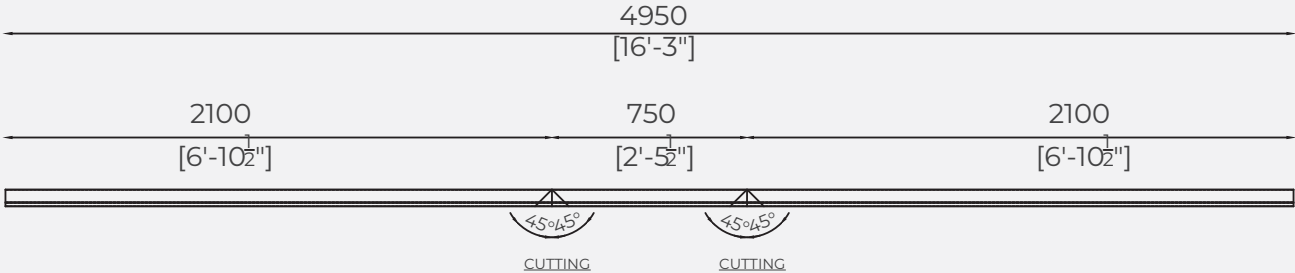
D4 (DOOR FRAME)

MASONRY / WALL OPENING SIZE (900X2100 mm)
DDF (DOUBLE DOOR FRAME 130X65X1.6 mm)
LENGTH 5100 mm



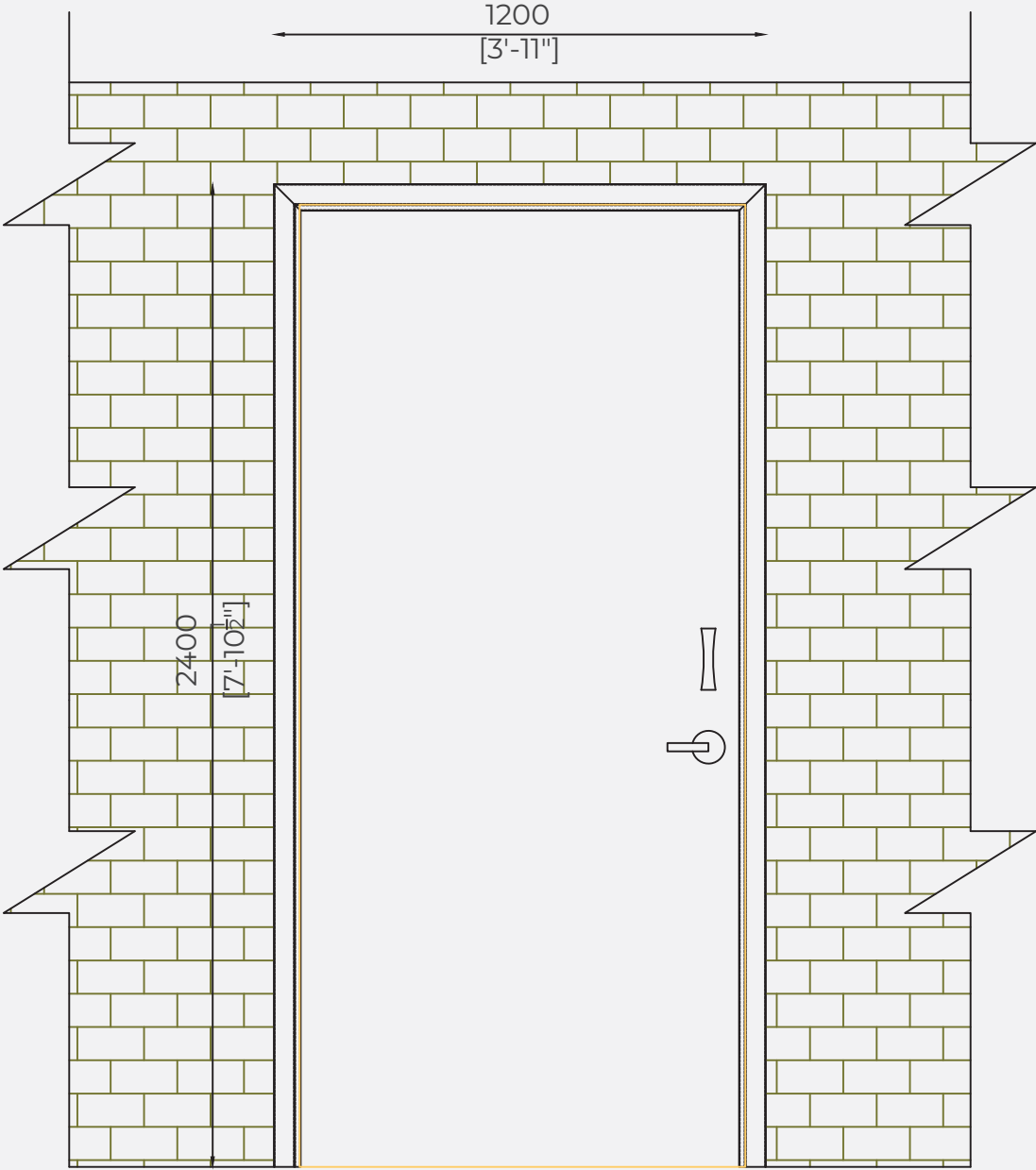
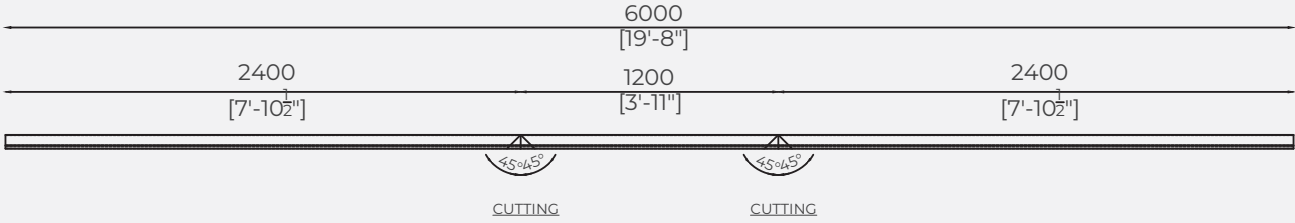
D5 (DOOR FRAME)

MASONRY / WALL OPENING SIZE (750X2100 mm)
DDF (DOUBLE DOOR FRAME 130X65X1.6 mm)
LENGTH 4950 mm



D6 (DOOR FRAME)

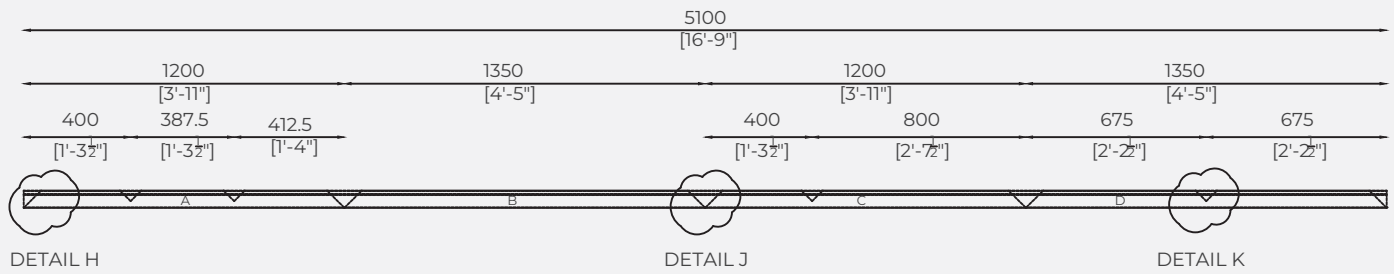
MASONRY / WALL OPENING SIZE (1200X2400 mm)
DDF (DOUBLE DOOR FRAME 130X65X1.6 mm)
LENGTH 6000 mm



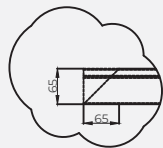
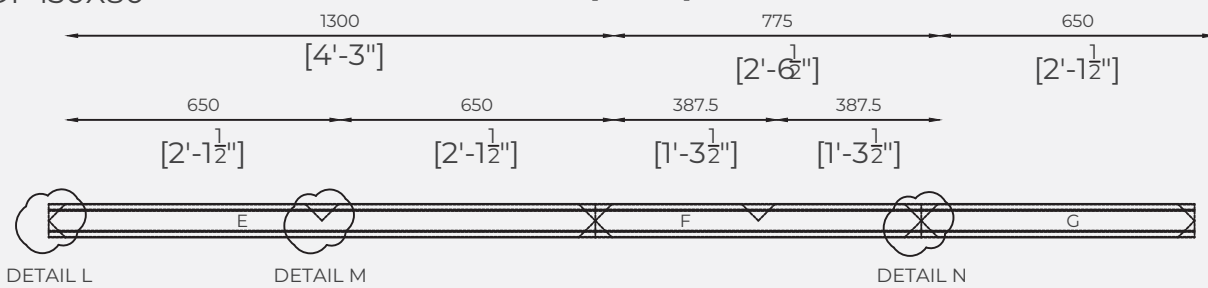
WINDOWS WITH COOLER OR AC OPENING

MASONRY / WALL OPENING SIZE 1200X1350

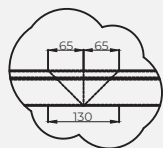
DDF 130X65



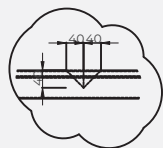
FDF 130X80



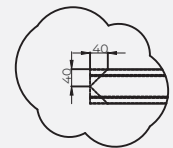
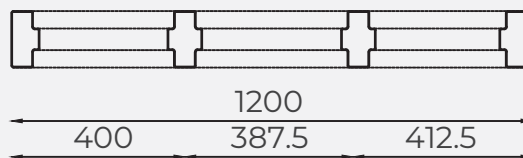
SECTION H



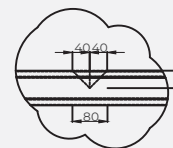
SECTION J



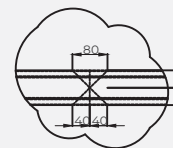
SECTION K



SECTION L



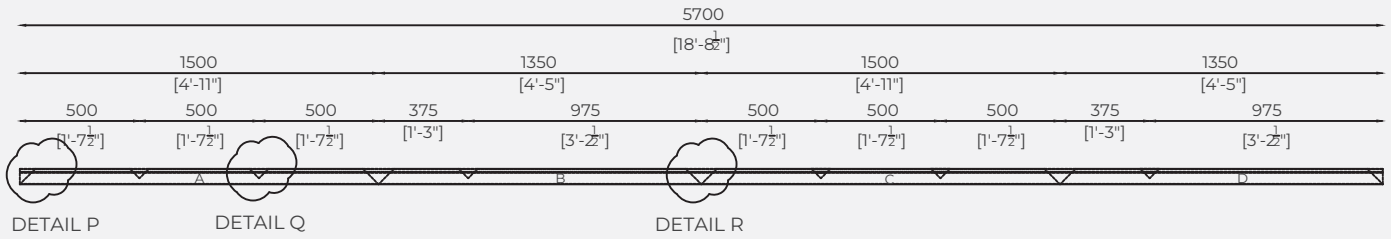
SECTION M



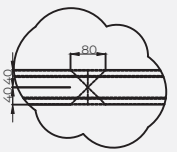
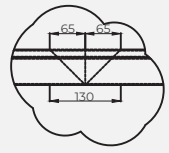
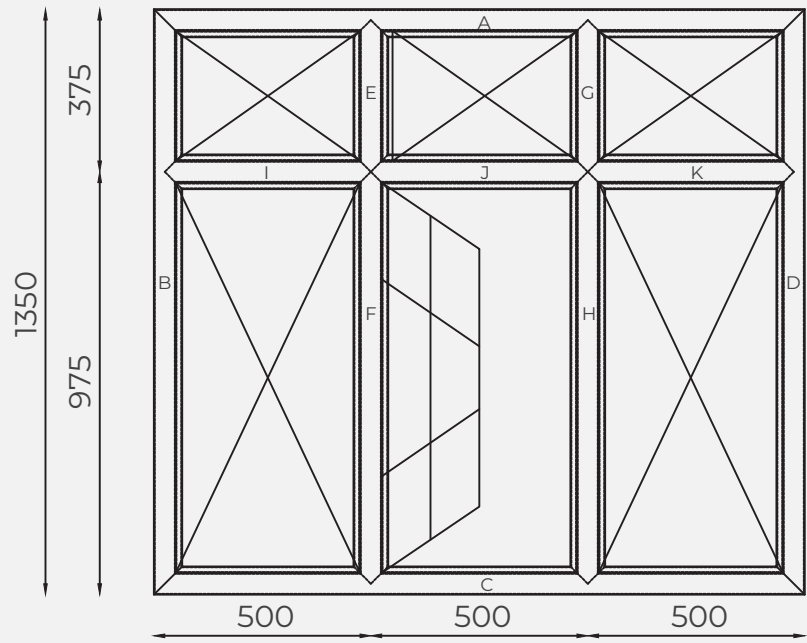
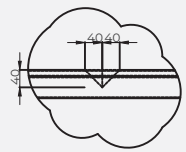
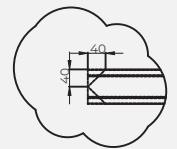
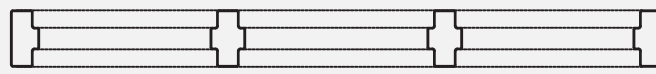
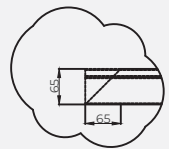
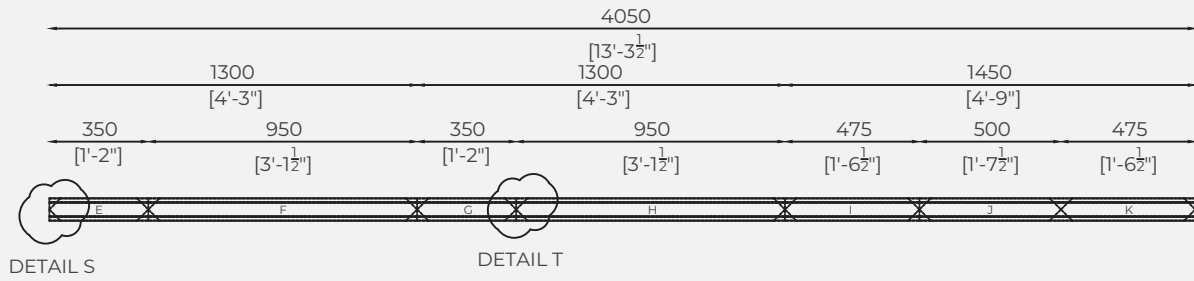
SECTION N

WINDOWS WITH OPENING SIZE 1500X1350

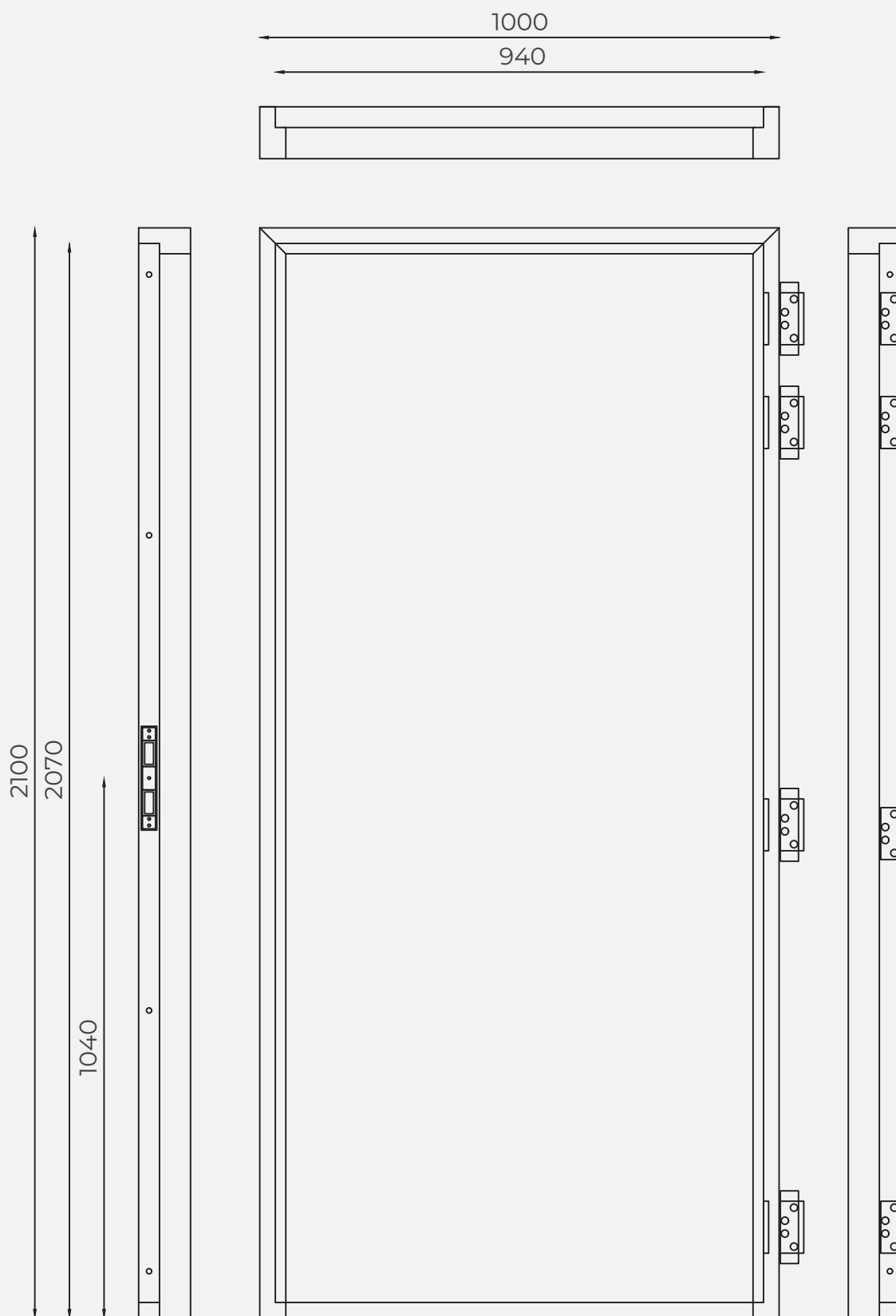
DDF 130X65



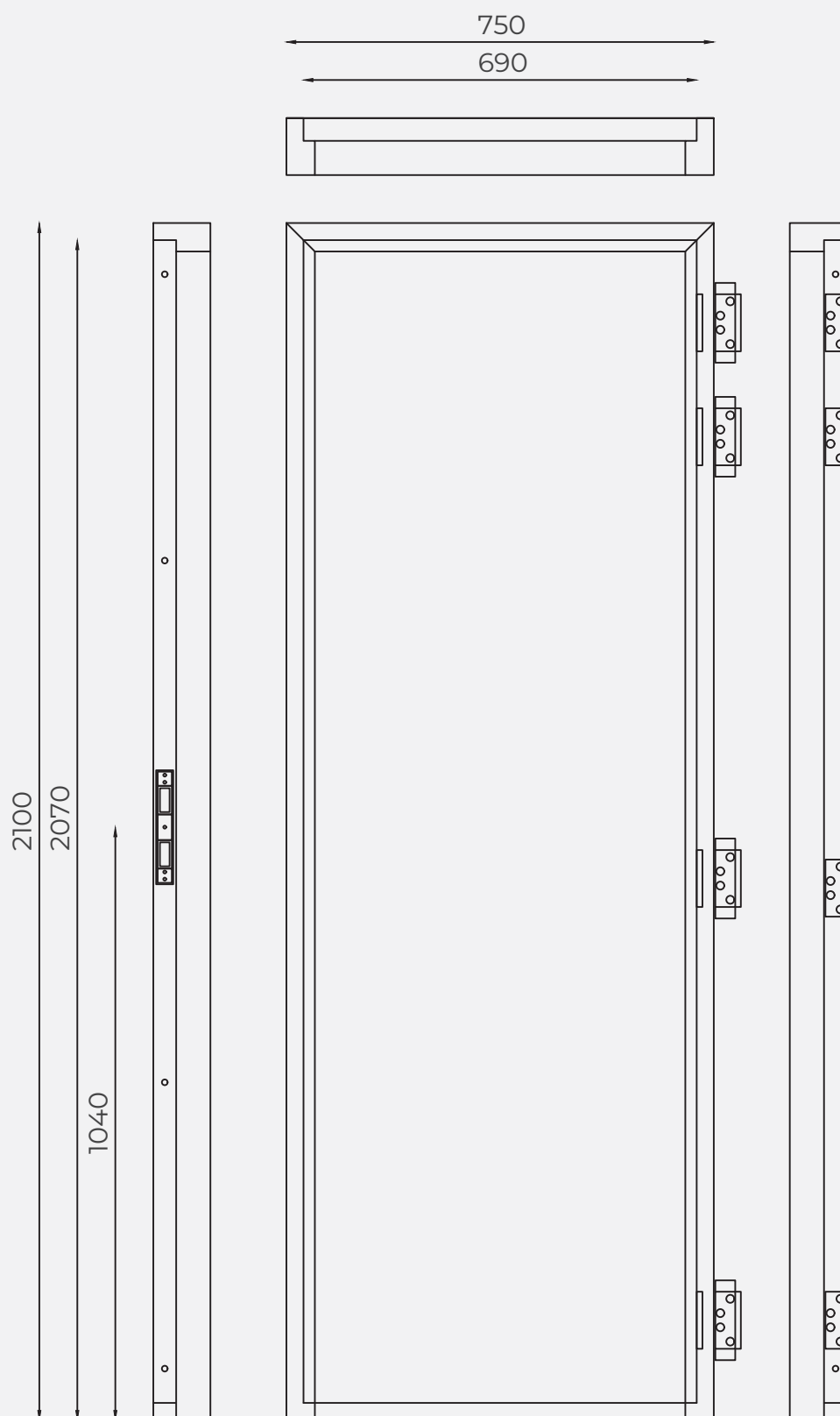
DDF 130X80



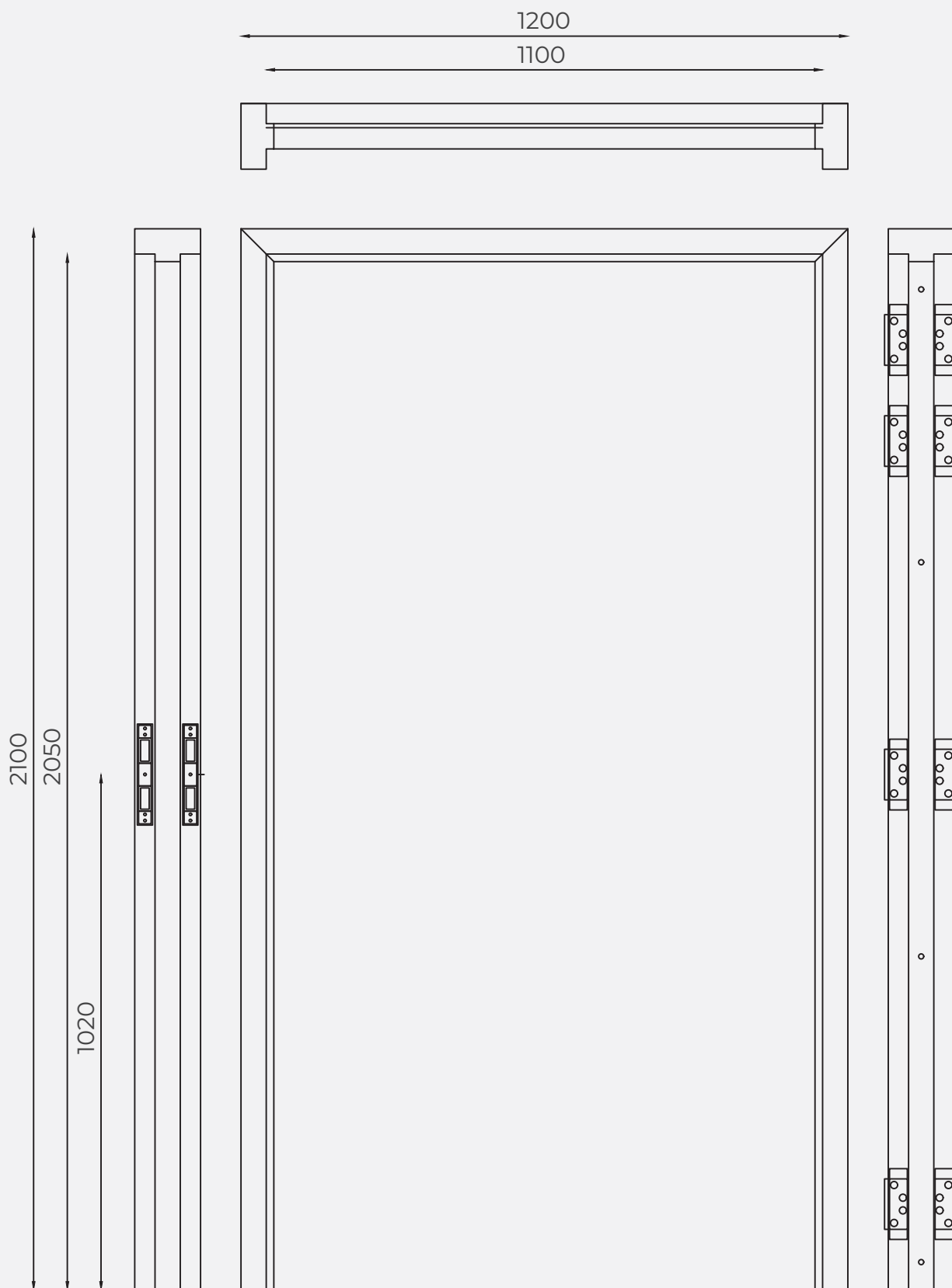
APOLLO CHAUKHAT SINGLE DOOR FRAME (1000 MM X 2100 MM)



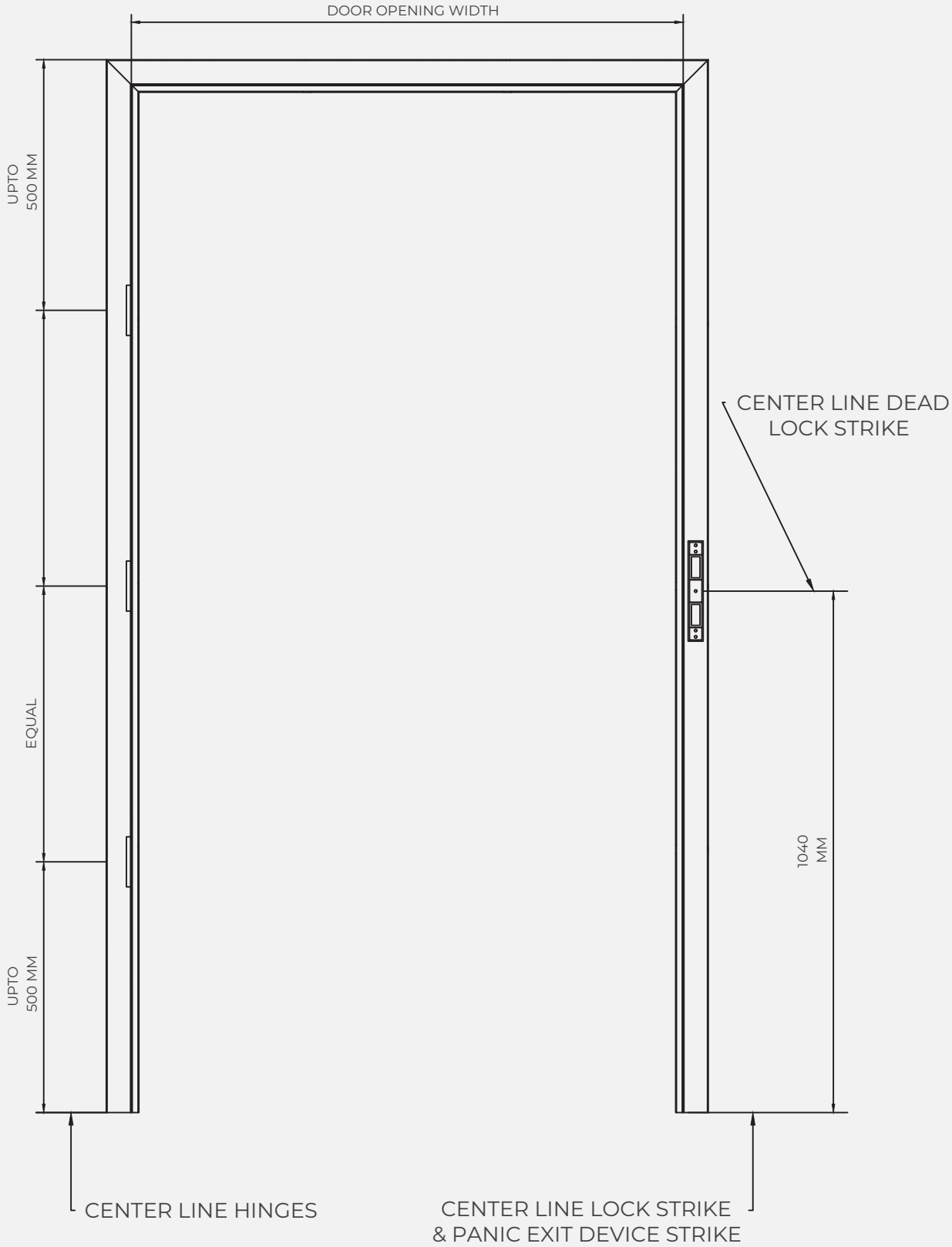
APOLLO CHAUKHAT SINGLE DOOR FRAME (750 MM X 2100 MM)



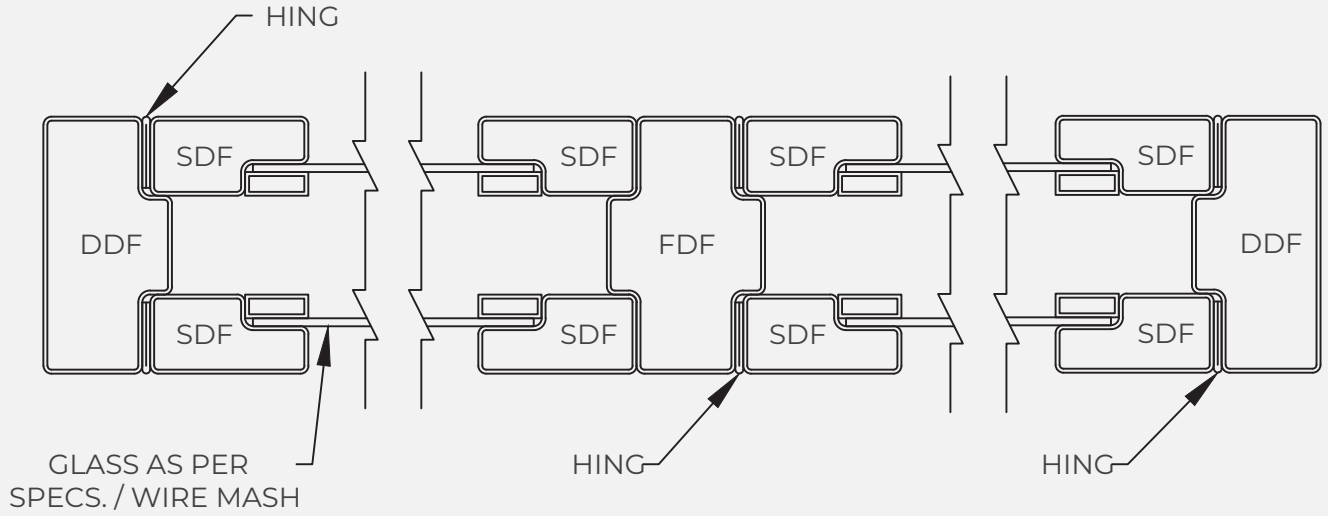
APOLLO CHAUKHAT DOUBLE DOOR FRAME (1200 MM X 2100 MM)



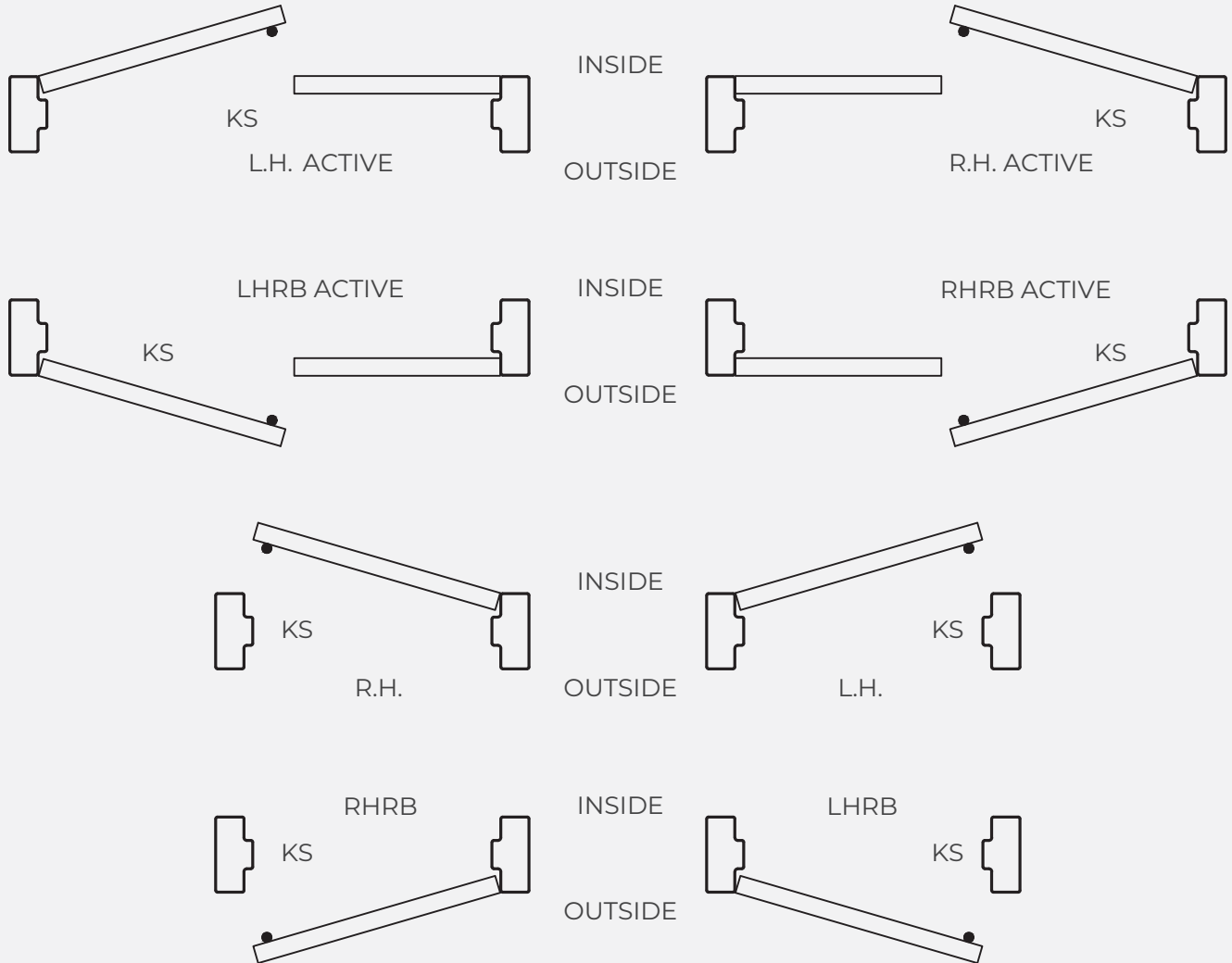
APOLLO CHAUKHAT DOOR FRAME WITH 3 NOS. HINGE FIXING LOCATION



TYPICAL WINDOW JOINING DETAIL

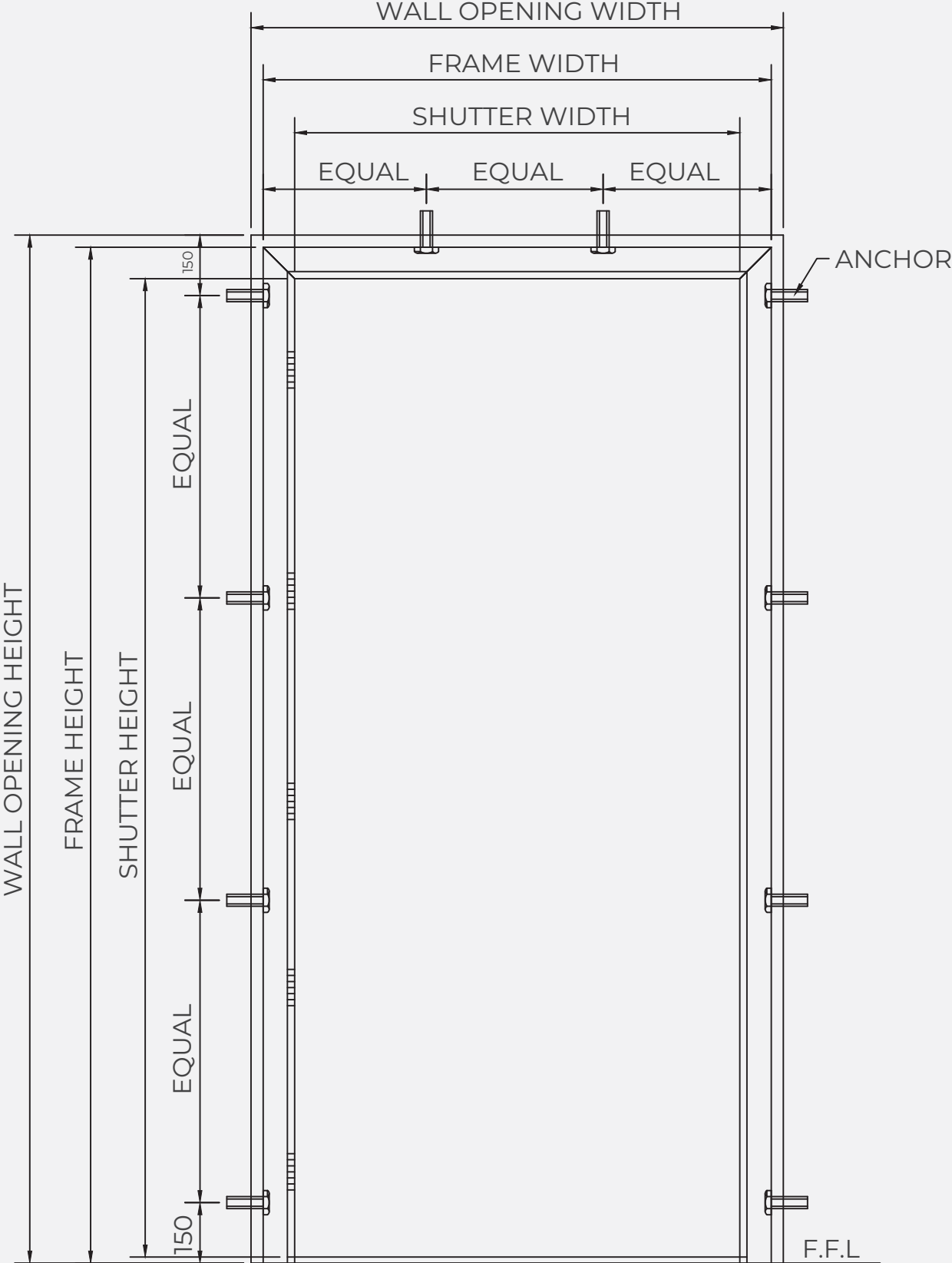


HANDING CHART



*NOTE : KS indicate Keyed side of Lockset.

EXPANSION BOLT FIXING LOCATION ARRANGEMENT

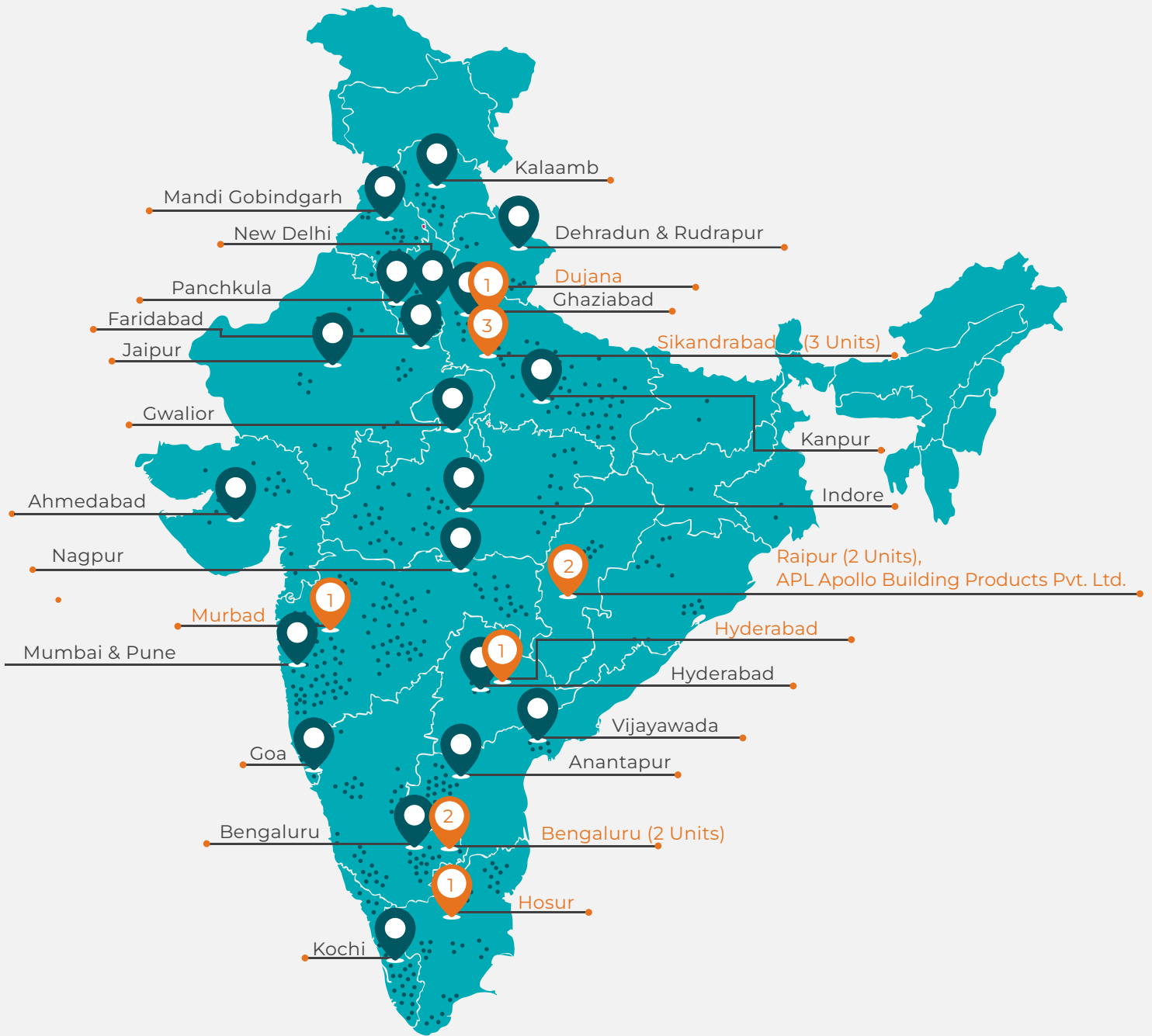





CHOOSE APOLLO STEEL CHAUKHAT

SAY NO TO CUTTING TREES



OUR NATIONWIDE PRESENCE



-  Branch Offices Cum Warehouses
-  Works
-  Dealers Network



OUR NETWORK OF INNER STRENGTH



11
Plants



29
Sales Offices



800+
Dealers & Distributors



In **2000**
Towns & Cities



1 Lakh+
Retailers & Fabricators



36 Lakh
Tonnes Capacity



30+ Years
of Experience

Corporate Office

SG Centre 37c, Block A, Sector 132, Noida, Uttar Pradesh 201304

T: +91 - 120 6918000 | E: info@aplapollo.com



Scan to know more about us

Follow us on: [f](#) [in](#) [t](#) [v](#) / APL APOLLO [i](#) / APL APOLLO OFFICIAL | Tollfree: 1800 102 3737

www.aplapollo.com